



US00D925743S

(12) **United States Design Patent**
Putnam

(10) **Patent No.:** **US D925,743 S**
(45) **Date of Patent:** **** Jul. 20, 2021**

- (54) **WIRED-MOUTH PROTECTION MEDICAL DEVICE**
- (71) Applicant: **Kelly M. Putnam**, Ferndale, MI (US)
- (72) Inventor: **Kelly M. Putnam**, Ferndale, MI (US)
- (**) Term: **15 Years**
- (21) Appl. No.: **29/651,163**
- (22) Filed: **Jan. 19, 2018**

Related U.S. Application Data

- (63) Continuation of application No. 14/462,797, filed on Aug. 19, 2014.
- (51) **LOC (13) Cl.** **24-02**
- (52) **U.S. Cl.**
USPC **D24/180**
- (58) **Field of Classification Search**
USPC D24/180-182, 152, 127-128, 230, 186;
D8/352, 367; D11/208; 433/6, 141, 148;
602/902; 128/848, 859-861
CPC A63B 7/1085; A63B 2071/088; A63B
23/032; A61C 5/90; A61C 7/08; A61F
5/566; A61F 5/56
See application file for complete search history.

References Cited

U.S. PATENT DOCUMENTS

- 2,672,863 A 3/1954 Leight
- 3,393,451 A * 7/1968 Rasch A61C 13/12
433/141
- 4,384,854 A * 5/1983 Garfinkel A61C 7/00
433/148

- 5,129,823 A * 7/1992 Hughes A61C 8/0089
433/141
- 5,582,560 A * 12/1996 Magnuson A63B 23/032
128/861
- 5,642,738 A * 7/1997 Lilly, Jr. A61F 5/566
128/848
- 6,016,574 A 1/2000 Chen
- 7,128,072 B2 10/2006 Bancroft
- 2005/0187502 A1 8/2005 Krempel
- 2006/0112962 A1 6/2006 Tebbutt
- 2006/0201520 A1 9/2006 Christensen, III
- 2010/0268107 A1 10/2010 de Heer
- 2011/0269096 A1 * 11/2011 Harman A61C 7/02
433/6
- 2013/0104913 A1 5/2013 Evans
- 2016/0022380 A1 * 1/2016 Putnam A61C 5/90
128/861
- 2017/0043237 A1 * 2/2017 Jensen A63B 71/085

* cited by examiner

Primary Examiner — Wan Laymon

(74) *Attorney, Agent, or Firm* — Raggio & Dinnin, P.C.

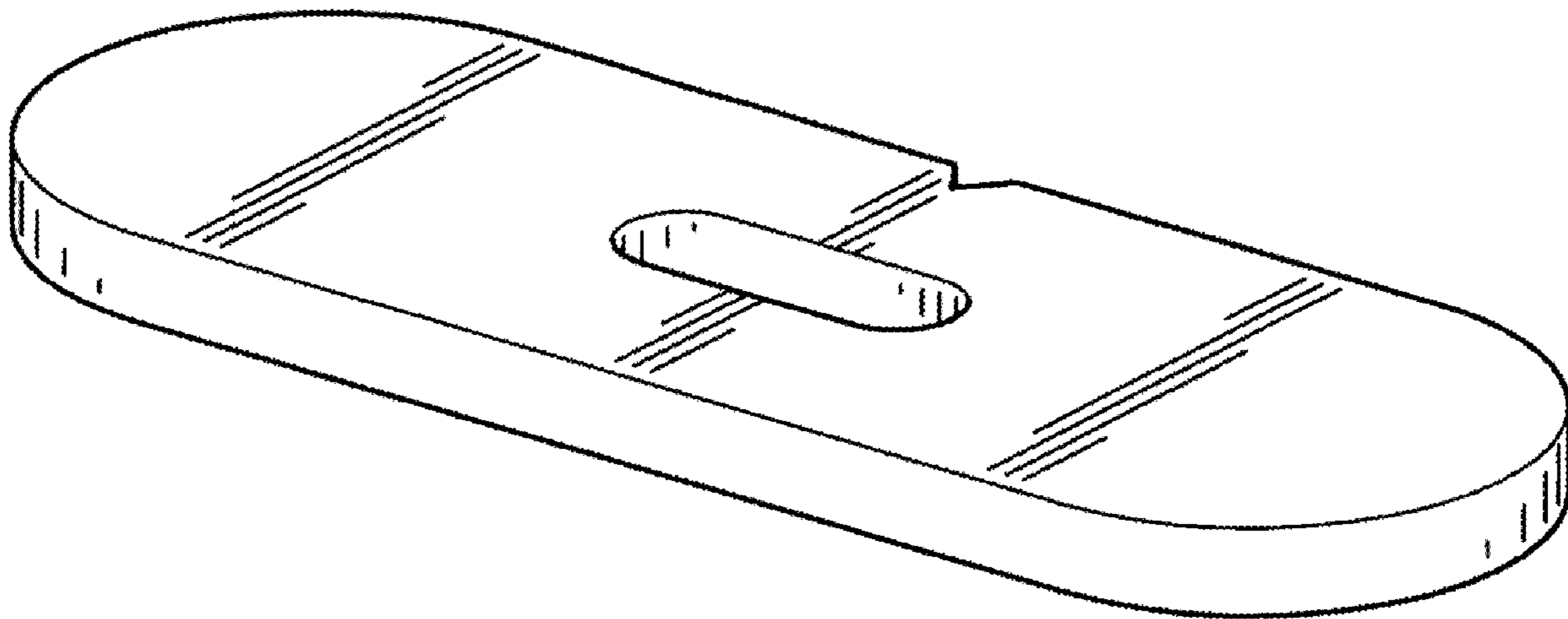
(57) **CLAIM**

The ornamental design for a wired-mouth protection medical device, as shown and described.

DESCRIPTION

FIG. 1 is a perspective view of the design of the wired-mouth protection medical device of the present invention; FIG. 2 is a front view thereof; FIG. 3 is a rear view thereof; FIGS. 4 and 5 are respective side views thereof; FIG. 6 is a bottom view thereof; and, FIG. 7 is a top view thereof.

1 Claim, 1 Drawing Sheet



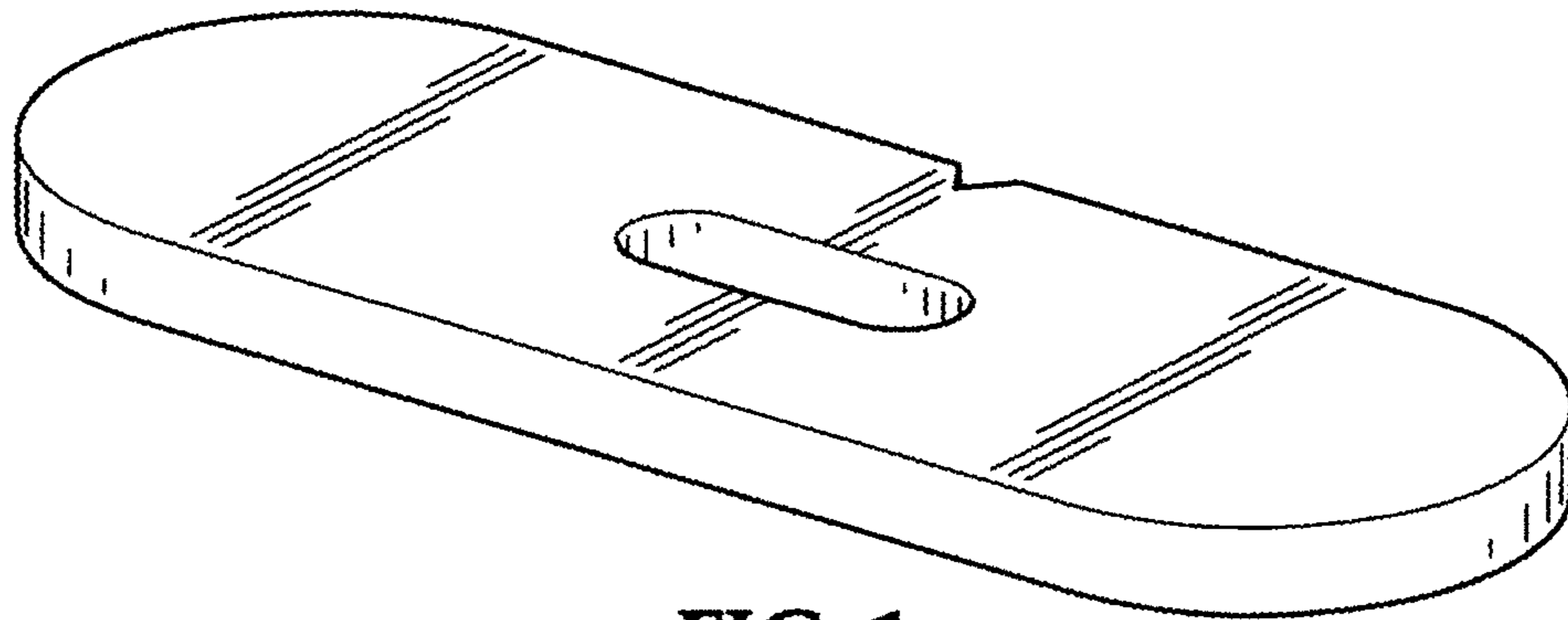


FIG. 1

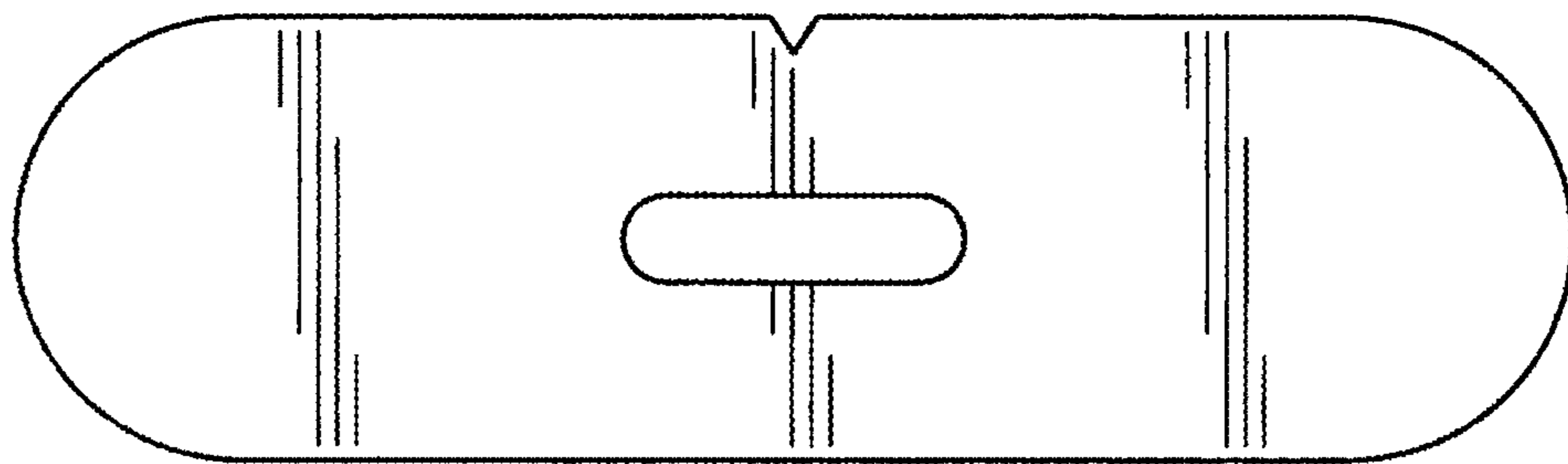


FIG. 2

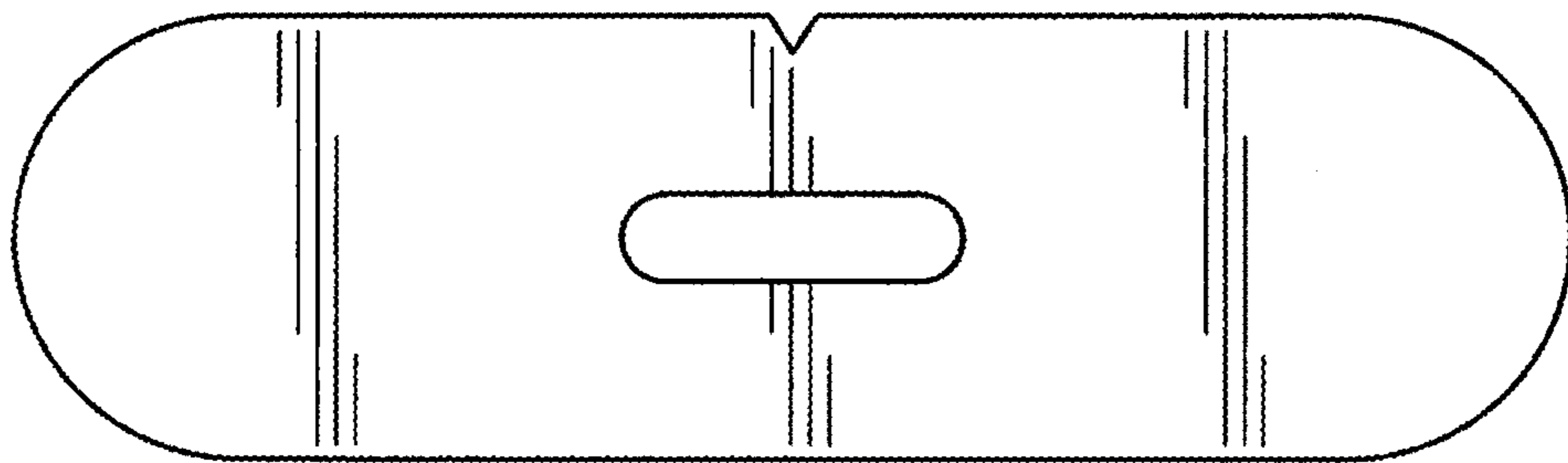


FIG. 3



FIG. 4



FIG. 5



FIG. 6



FIG. 7