



US00D925742S

(12) **United States Design Patent**  
**Zhang**

(10) **Patent No.:** **US D925,742 S**  
(45) **Date of Patent:** **\*\* Jul. 20, 2021**

(54) **OXIMETER**

(71) Applicant: **HUNAN ACCURATE  
BIO-MEDICAL TECHNOLOGY  
CO., LTD**, Changsha (CN)

(72) Inventor: **Li Zhang**, Changsha (CN)

(73) Assignee: **HUNAN ACCURATE  
BIO-MEDICAL TECHNOLOGY  
CO., LTD**, Changsha (CN)

(\*\*) Term: **15 Years**

(21) Appl. No.: **29/747,664**

(22) Filed: **Aug. 24, 2020**

(51) **LOC (13) Cl.** ..... **24-02**

(52) **U.S. Cl.**  
USPC ..... **D24/169; D24/165**

(58) **Field of Classification Search**  
USPC ..... D24/107, 164, 165-169, 186, 187;  
D10/75, 70, 98  
CPC ..... G01N 33/66; G01N 33/49; G01N 33/493;  
A61B 5/0205; A61B 5/02427; A61B  
5/02438; A61B 5/14552; A61B 5/6626;  
A61B 5/6638

See application file for complete search history.

(56) **References Cited**

**U.S. PATENT DOCUMENTS**

5,792,052 A \* 8/1998 Isaacson ..... A61B 5/6838  
600/323  
D603,966 S 11/2009 Jones et al.

D670,388 S \* 11/2012 Jin ..... D24/169  
D691,726 S 10/2013 Jin  
D782,045 S 3/2017 Chou et al.  
10,231,670 B2 \* 3/2019 Blank ..... A61B 5/6826  
D877,339 S \* 3/2020 Xian ..... D24/165  
D893,727 S \* 8/2020 Zhao ..... D24/165  
D903,872 S \* 12/2020 Wang ..... D24/169

**FOREIGN PATENT DOCUMENTS**

CN 007158118-0004 \* 11/2019

\* cited by examiner

*Primary Examiner* — Anhdao Doan

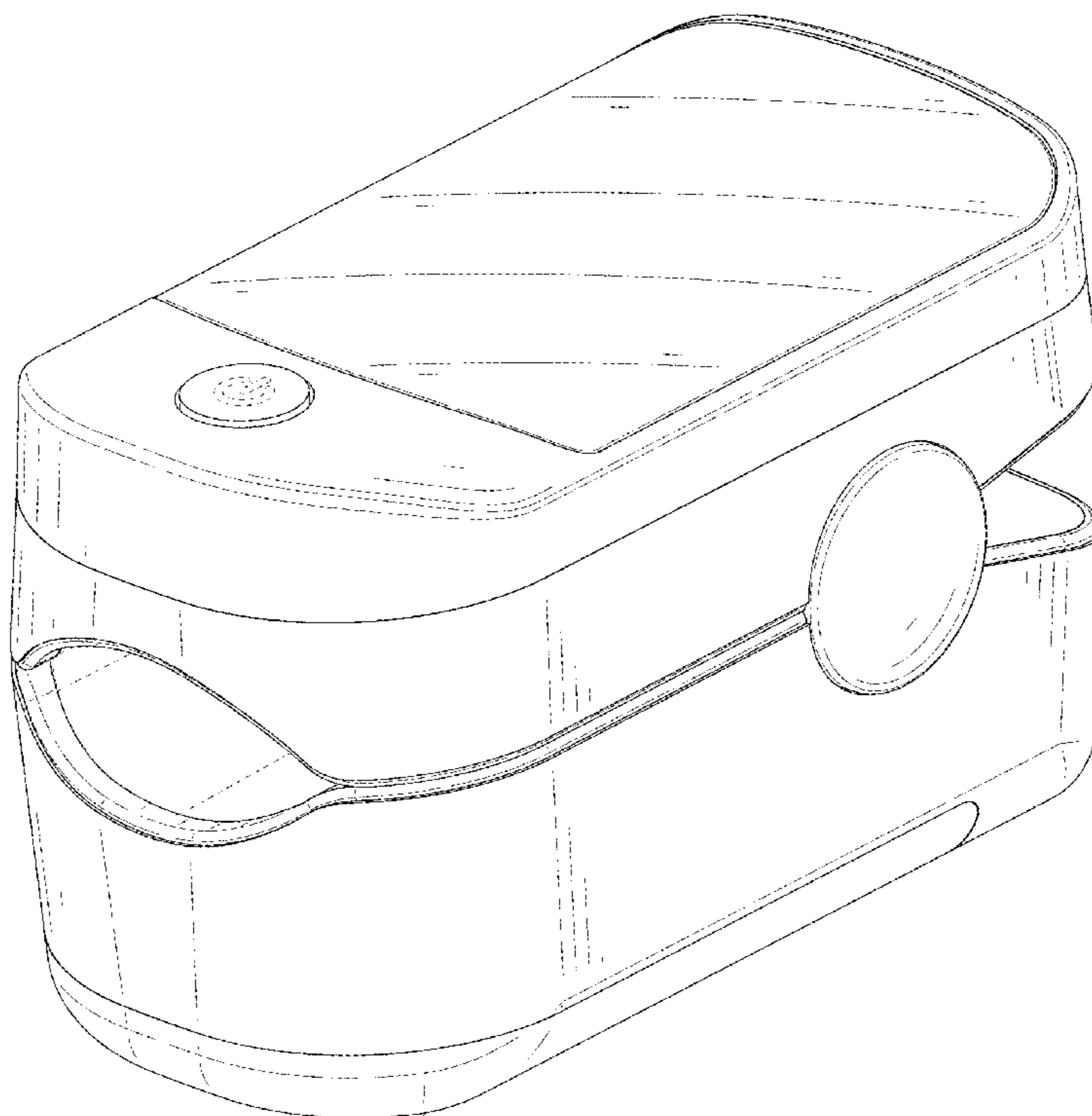
(57) **CLAIM**

The ornamental design for an oximeter, as shown and described.

**DESCRIPTION**

FIG. 1 is a perspective view of an oximeter showing my new design;  
FIG. 2 is another perspective view thereof;  
FIG. 3 is a front elevational view thereof;  
FIG. 4 is a rear elevational view thereof;  
FIG. 5 is a left side elevational view thereof;  
FIG. 6 is a right side elevational view thereof;  
FIG. 7 is a top plan view thereof; and,  
FIG. 8 is a bottom plan view thereof.  
The broken lines in the drawings depict portions of the oximeter that form no part of the claimed design.

**1 Claim, 8 Drawing Sheets**



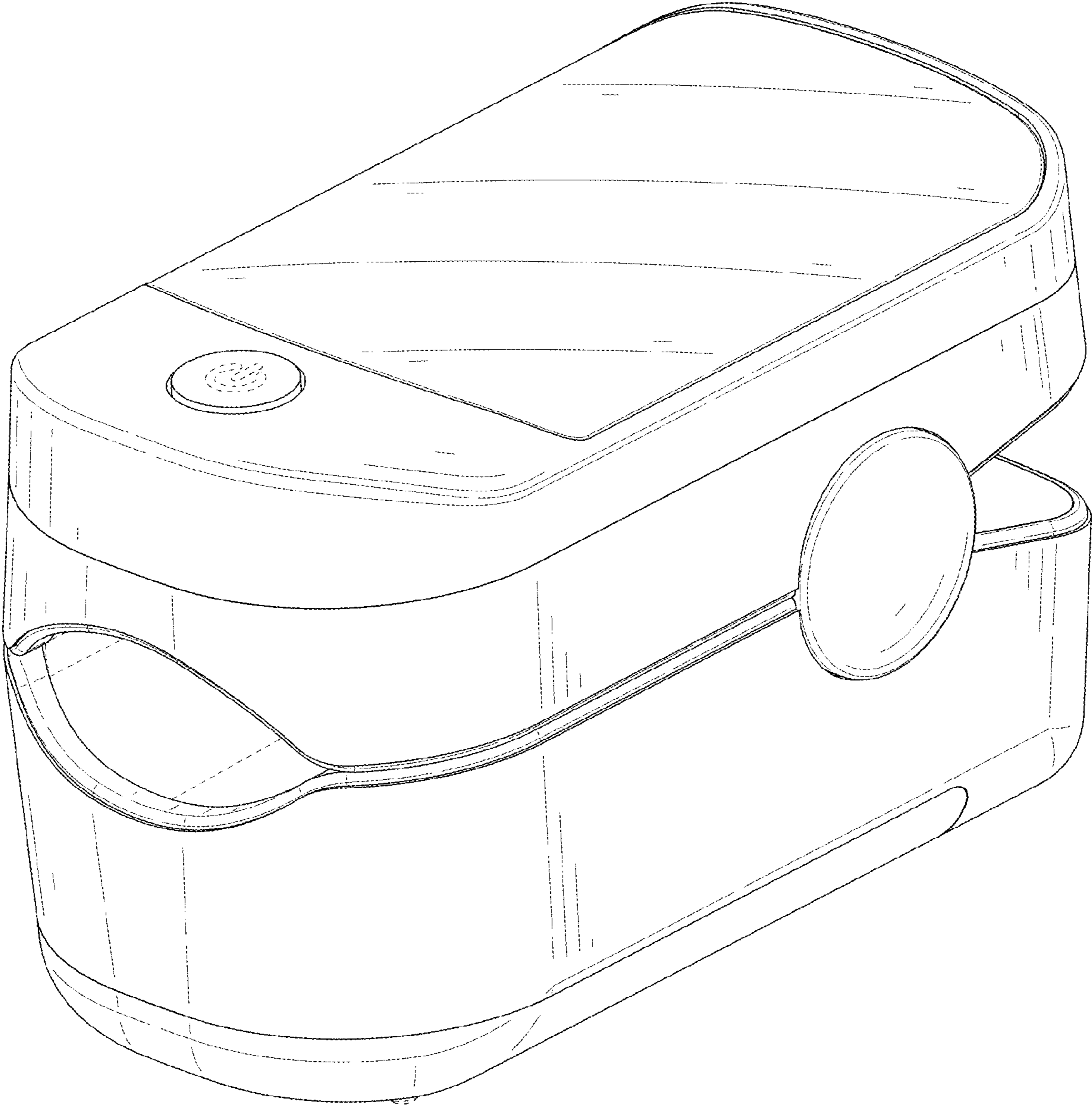


FIG. 1

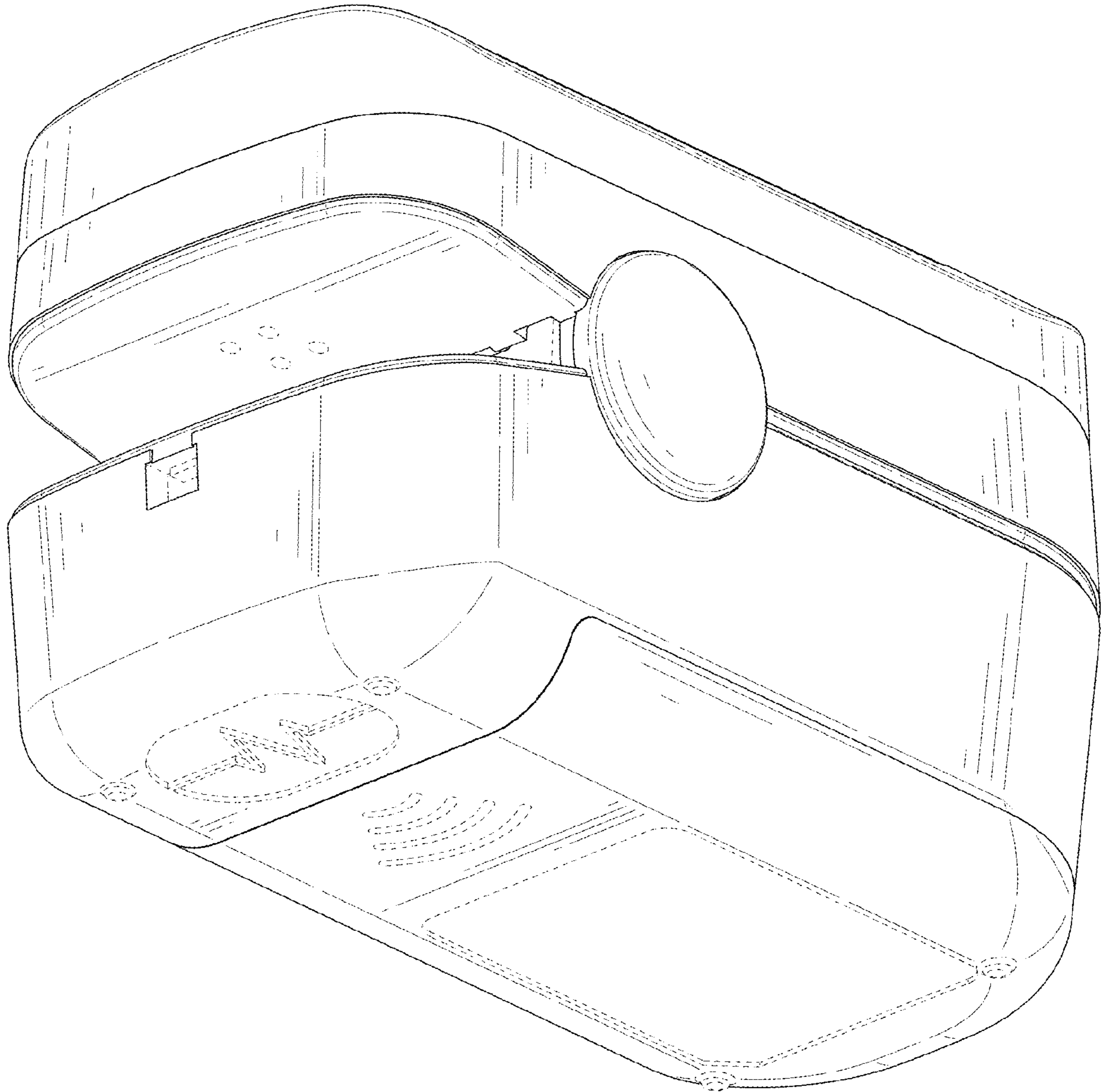


FIG. 2

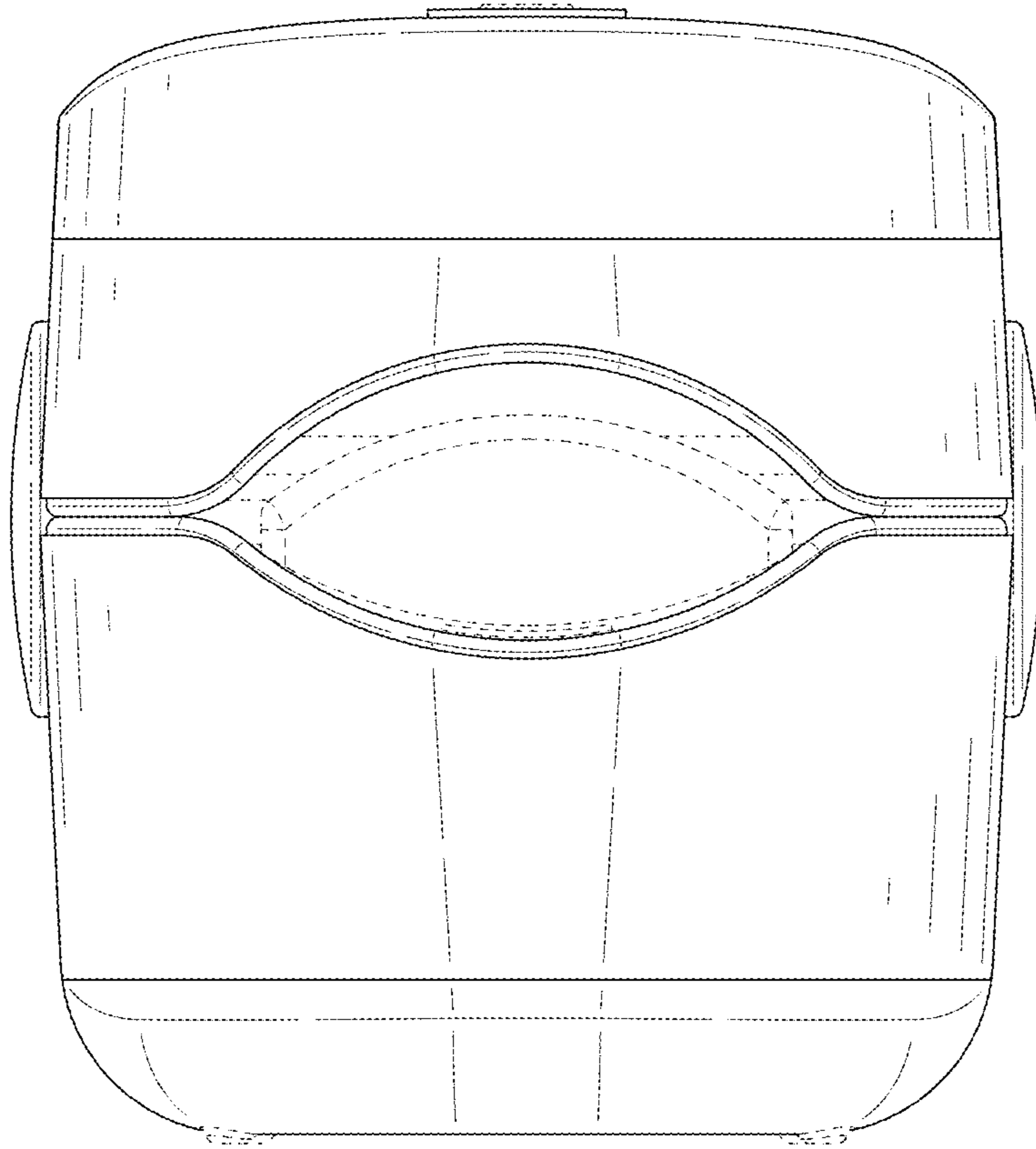


FIG. 3

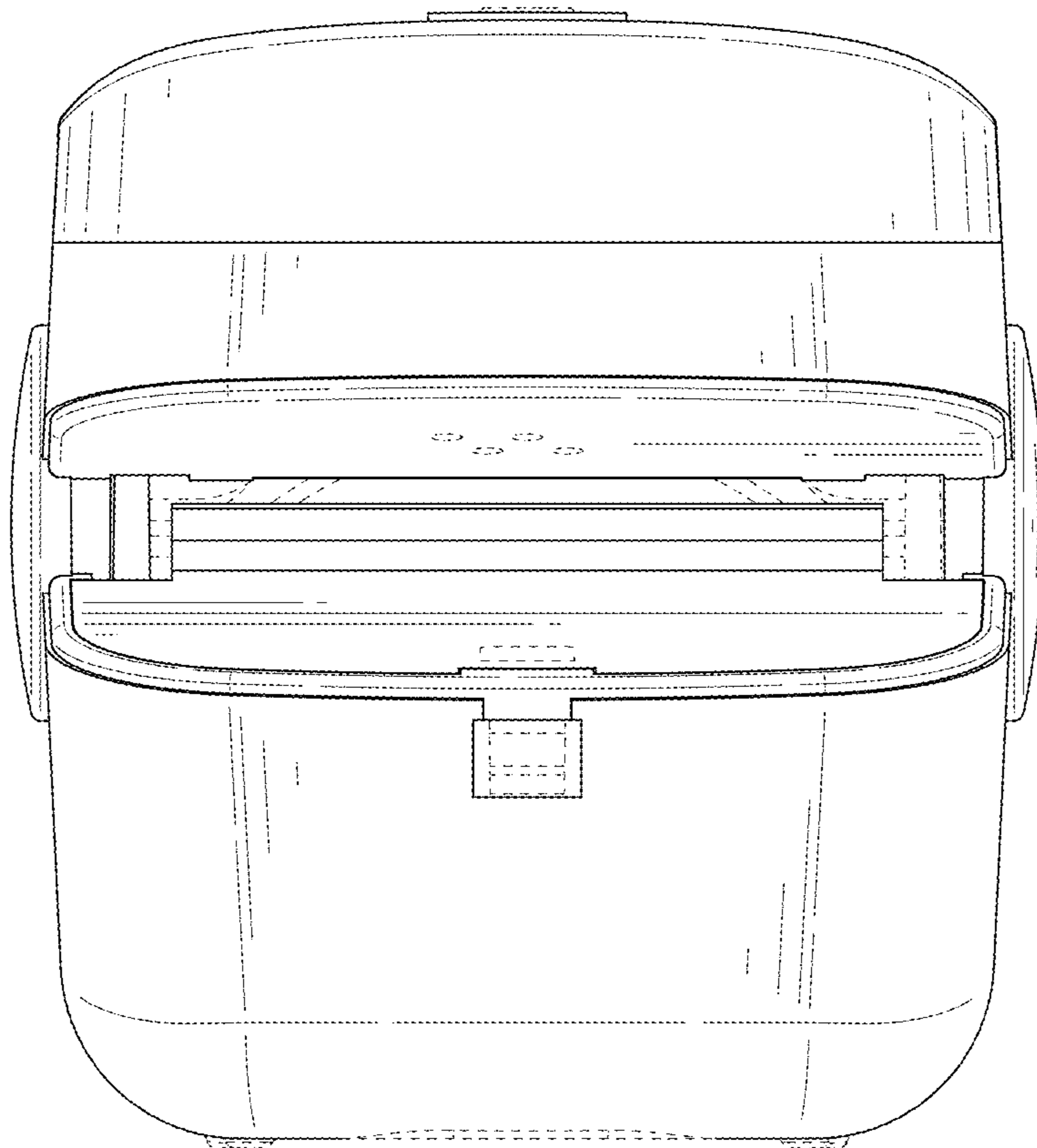


FIG. 4



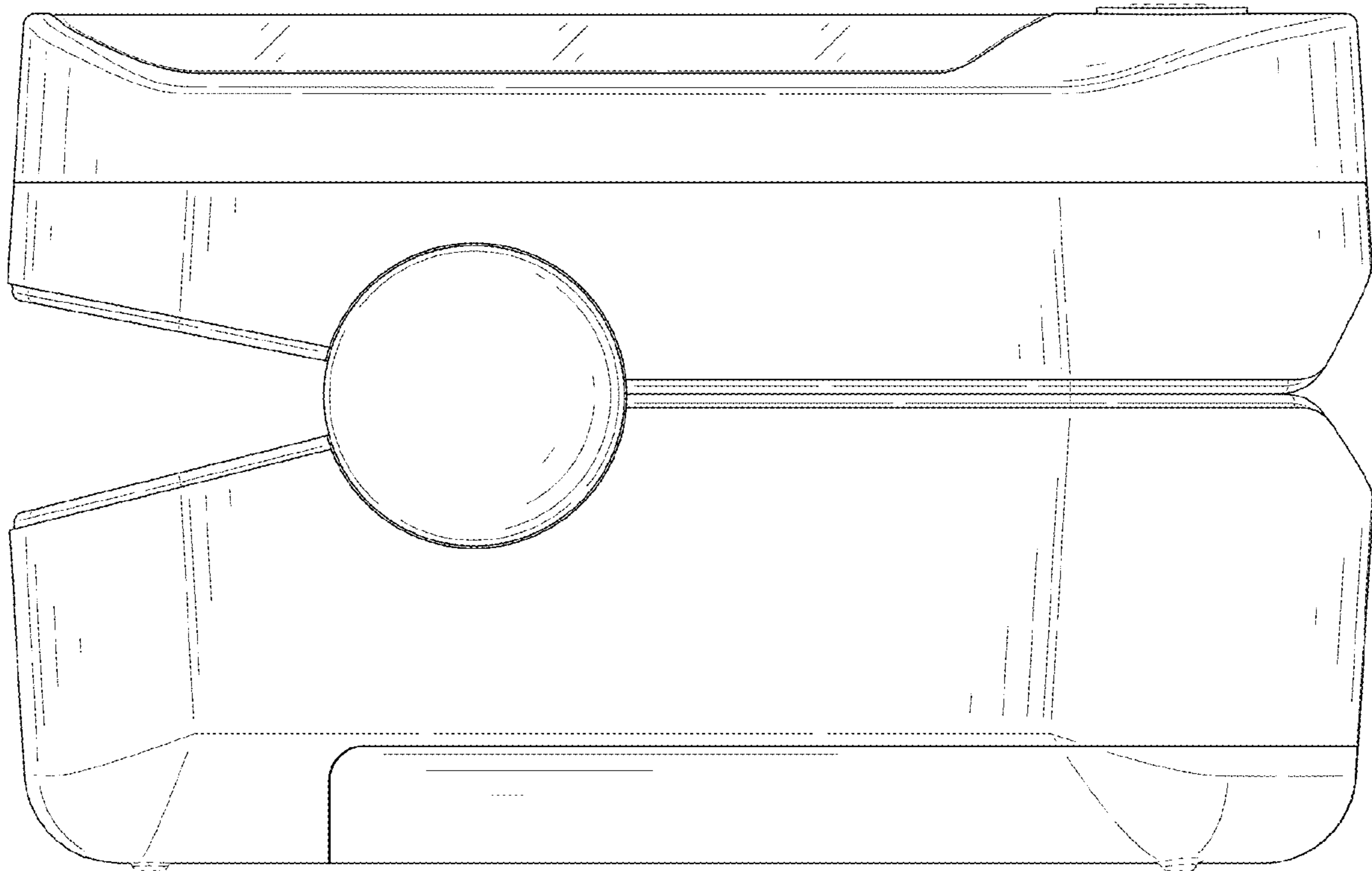


FIG. 5

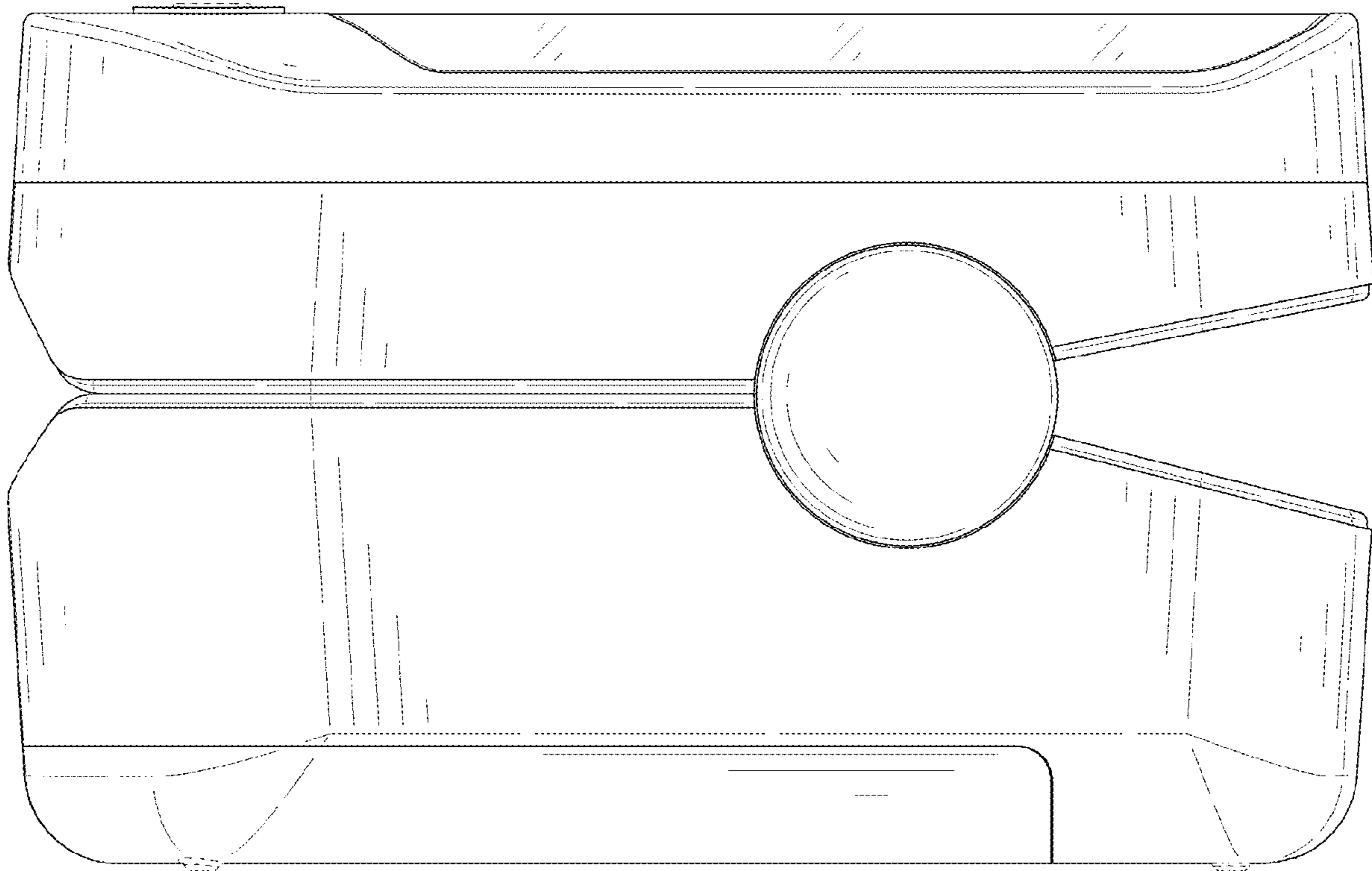


FIG. 6

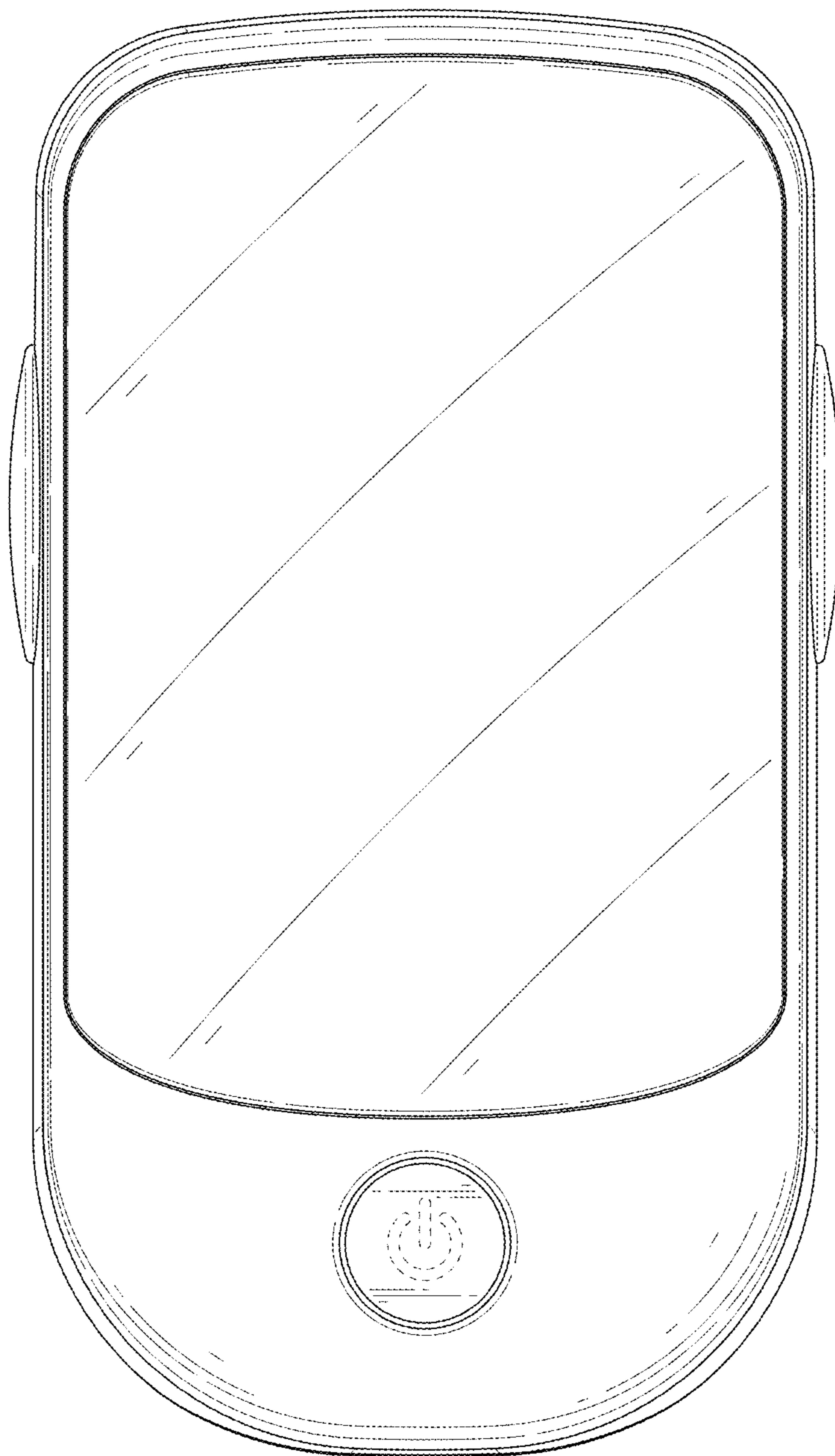


FIG. 7



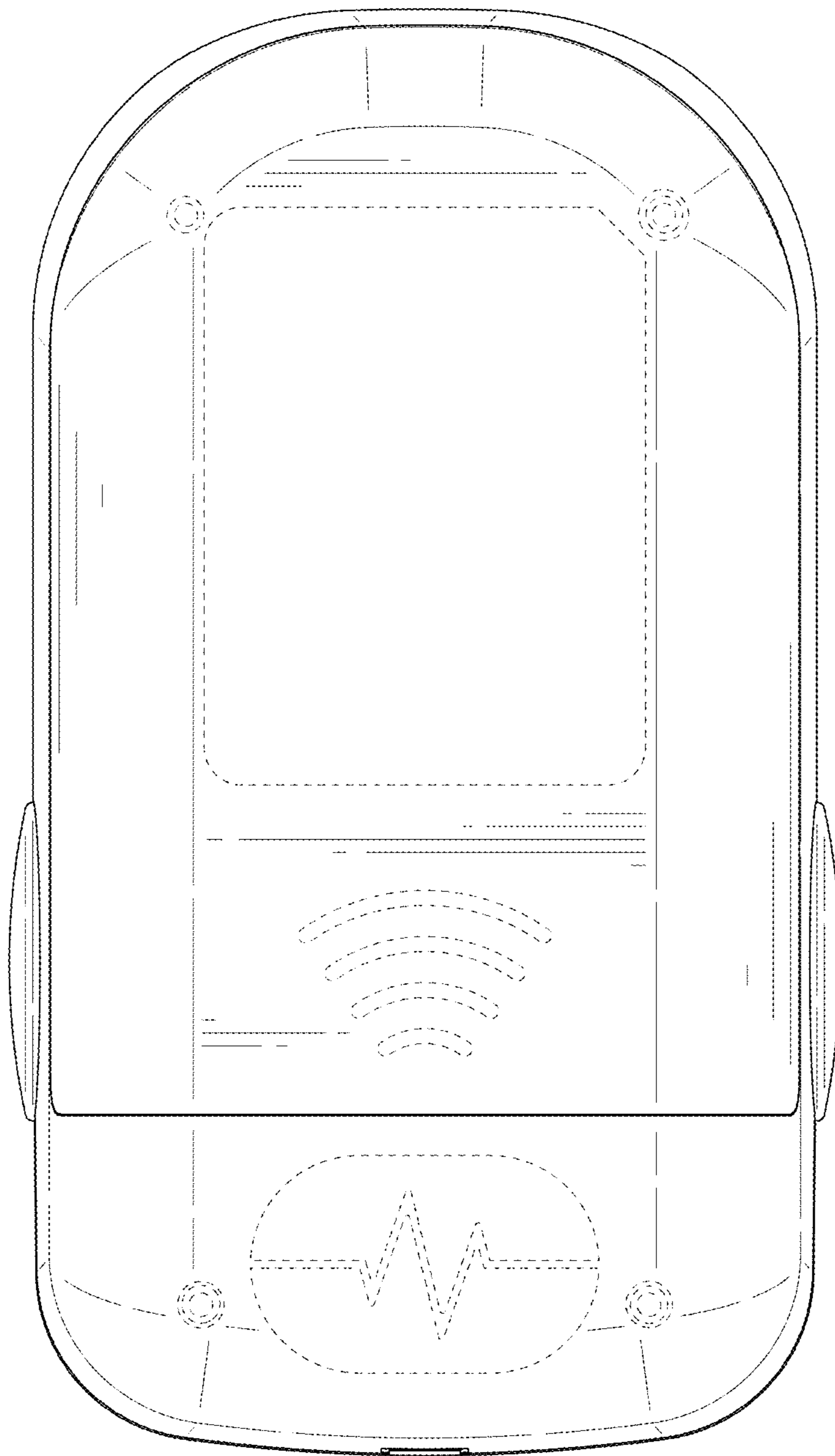


FIG. 8