



US00D925741S

(12) **United States Design Patent**
Zhang

(10) **Patent No.:** **US D925,741 S**
(45) **Date of Patent:** **** Jul. 20, 2021**

(54) **OXIMETER**

(71) Applicant: **HUNAN ACCURATE
BIO-MEDICAL TECHNOLOGY
CO., LTD**, Changsha (CN)

(72) Inventor: **Li Zhang**, Changsha (CN)

(73) Assignee: **HUNAN ACCURATE
BIO-MEDICAL TECHNOLOGY
CO., LTD**, Changsha (CN)

(**) Term: **15 Years**

(21) Appl. No.: **29/747,491**

(22) Filed: **Aug. 24, 2020**

(51) **LOC (13) Cl.** **24-02**

(52) **U.S. Cl.**
USPC **D24/169; D24/165**

(58) **Field of Classification Search**
USPC D24/107, 164, 165–169, 186, 187;
D10/75, 70, 98
CPC G01N 33/66; G01N 33/49; G01N 33/493;
A61B 5/0205; A61B 5/02427; A61B
5/02438; A61B 5/14552; A61B 5/6626;
A61B 5/6638

See application file for complete search history.

(56) **References Cited**

U.S. PATENT DOCUMENTS

5,792,052 A * 8/1998 Isaacson A61B 5/14552
600/323
D603,966 S 11/2009 Jones et al.

D670,388 S 11/2012 Jin et al.
D691,726 S * 10/2013 Jin D24/169
D782,045 S 3/2017 Chou et al.
10,231,670 B2 * 3/2019 Blank A61B 5/684
D877,339 S * 3/2020 Xian D24/165
D893,727 S * 8/2020 Zhao D24/165
D903,872 S * 12/2020 Wang D24/169

FOREIGN PATENT DOCUMENTS

CN 202030213763.0 * 8/2020
EM 007158118-0009 * 11/2019

* cited by examiner

Primary Examiner — Anhdao Doan

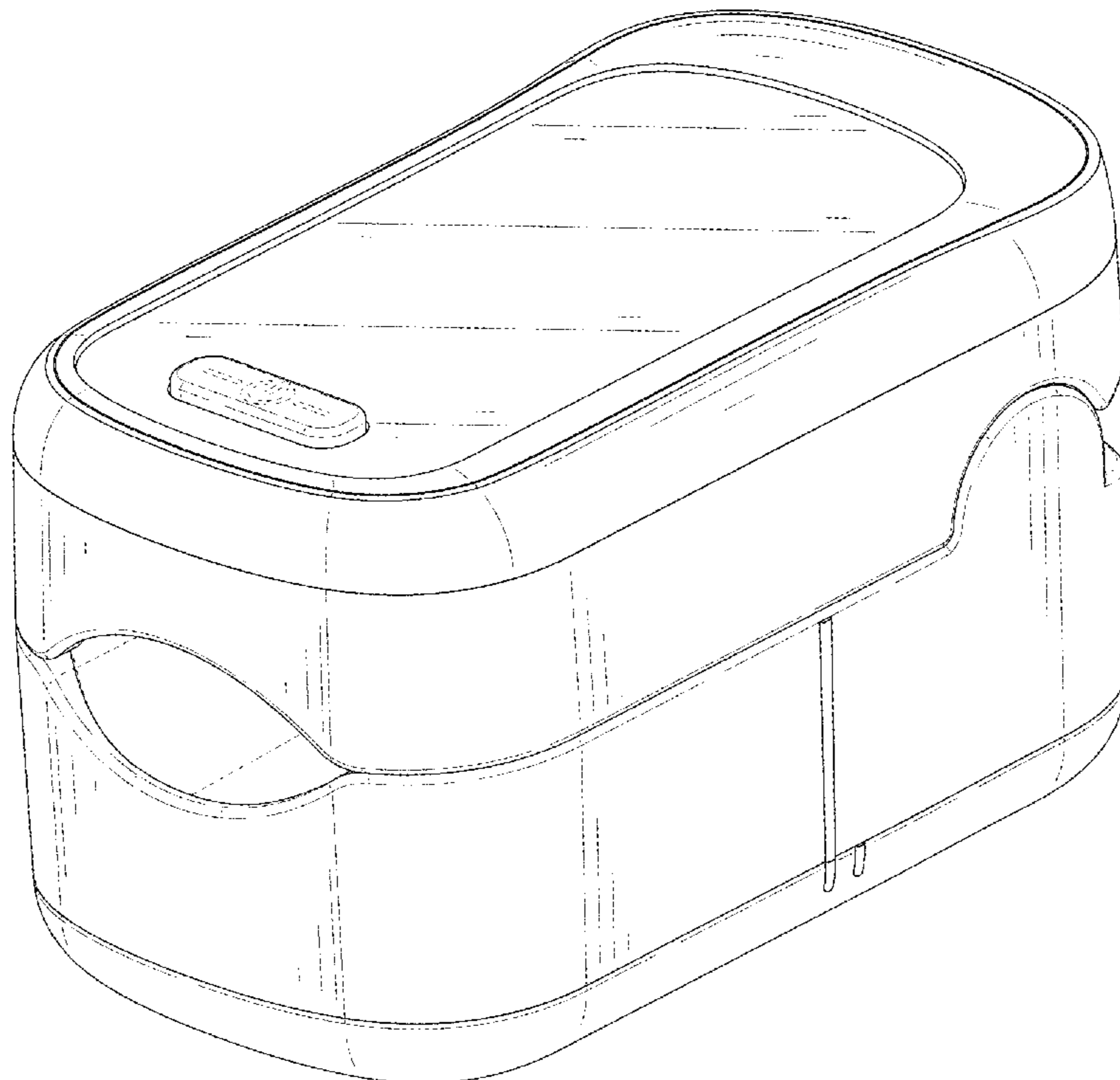
(57) **CLAIM**

The ornamental design for an oximeter, as shown and described.

DESCRIPTION

FIG. 1 is a perspective view of an oximeter showing my new design;
FIG. 2 is another perspective view thereof;
FIG. 3 is a front elevational view thereof;
FIG. 4 is a rear elevational view thereof;
FIG. 5 is a left side elevational view thereof;
FIG. 6 is a right side elevational view thereof;
FIG. 7 is a top plan view thereof; and,
FIG. 8 is a bottom plan view thereof;
The broken lines in the drawings depict portions of the oximeter that form no part of the claimed design.

1 Claim, 8 Drawing Sheets



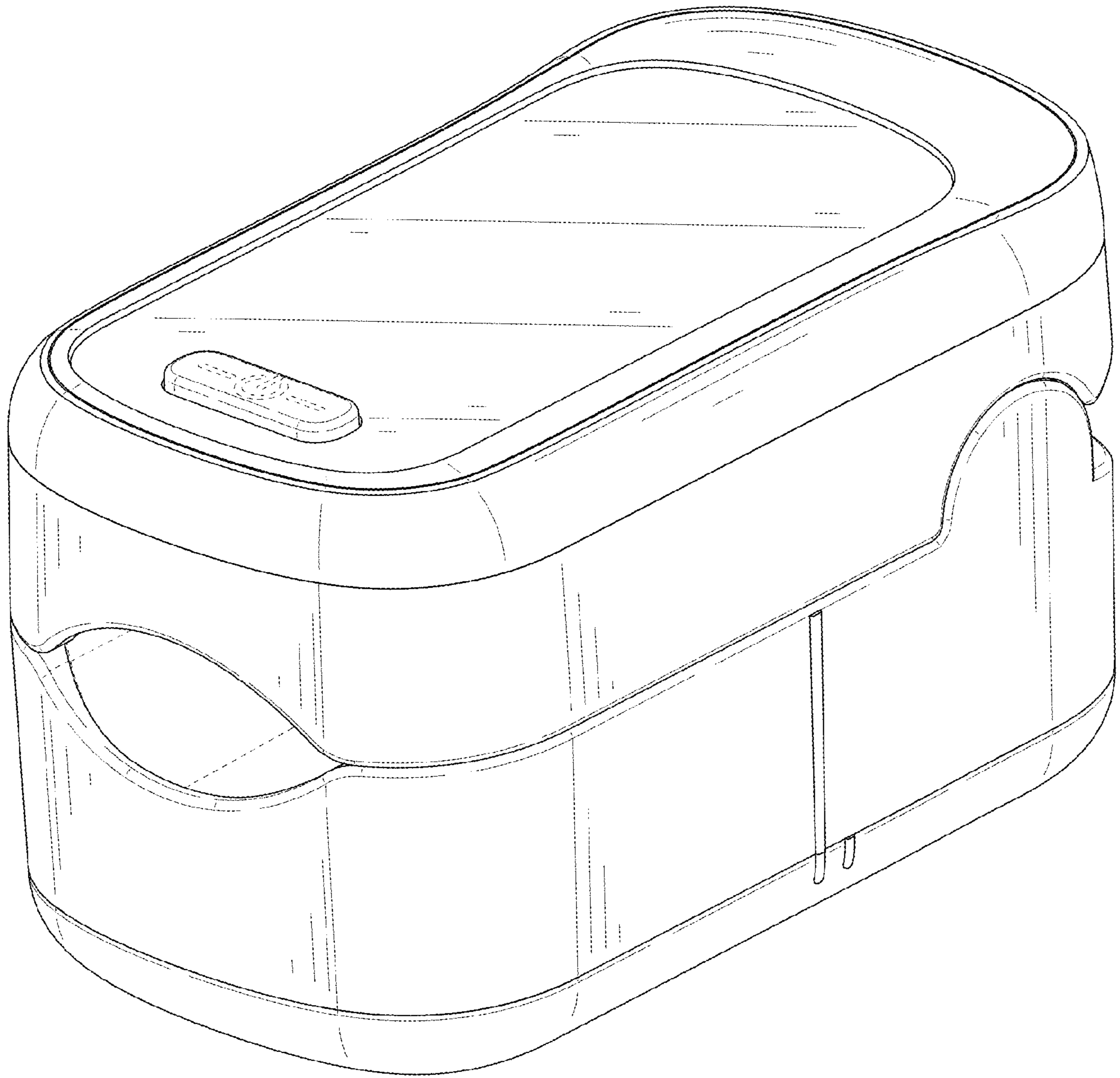


FIG. 1

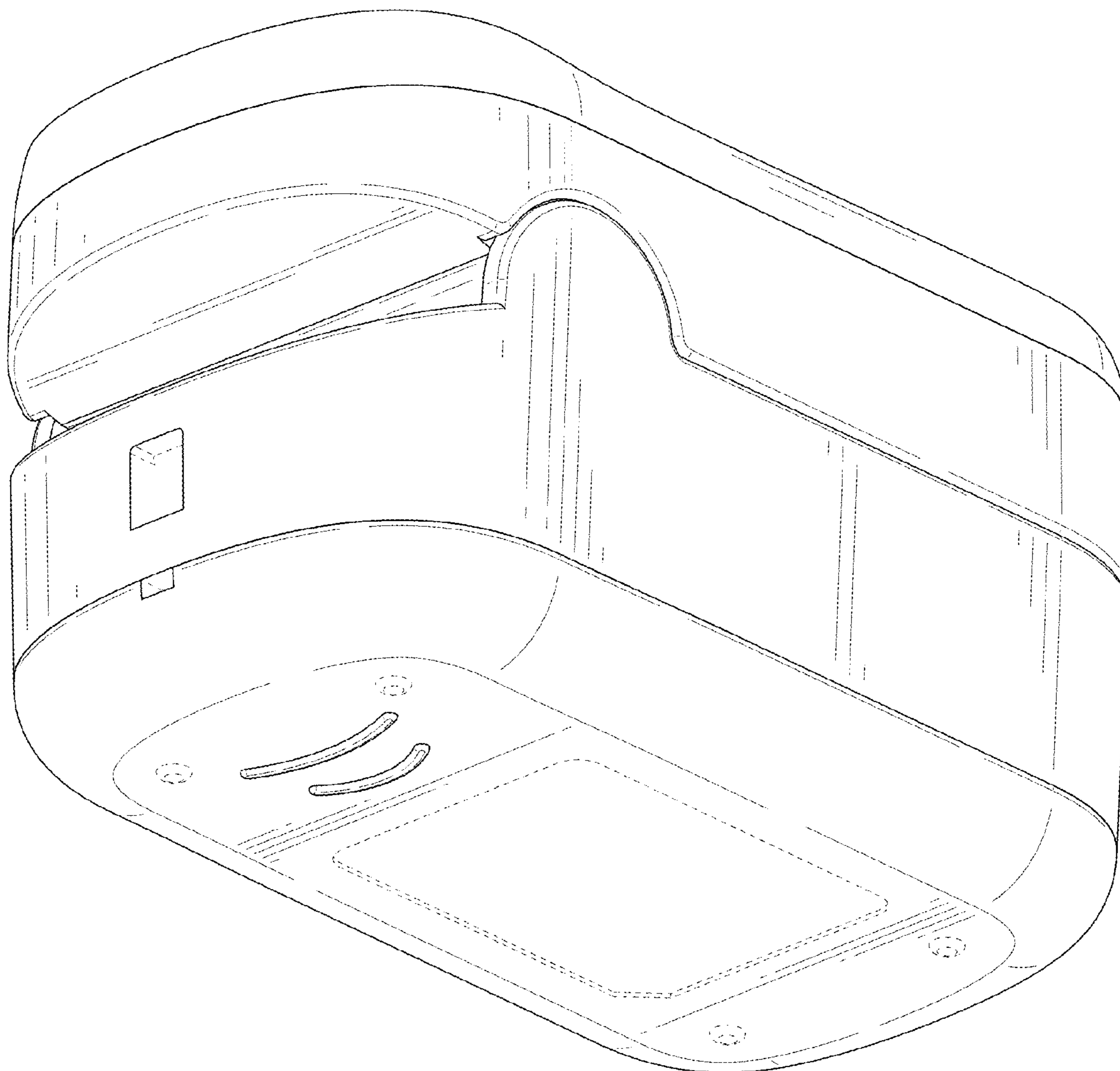


FIG. 2

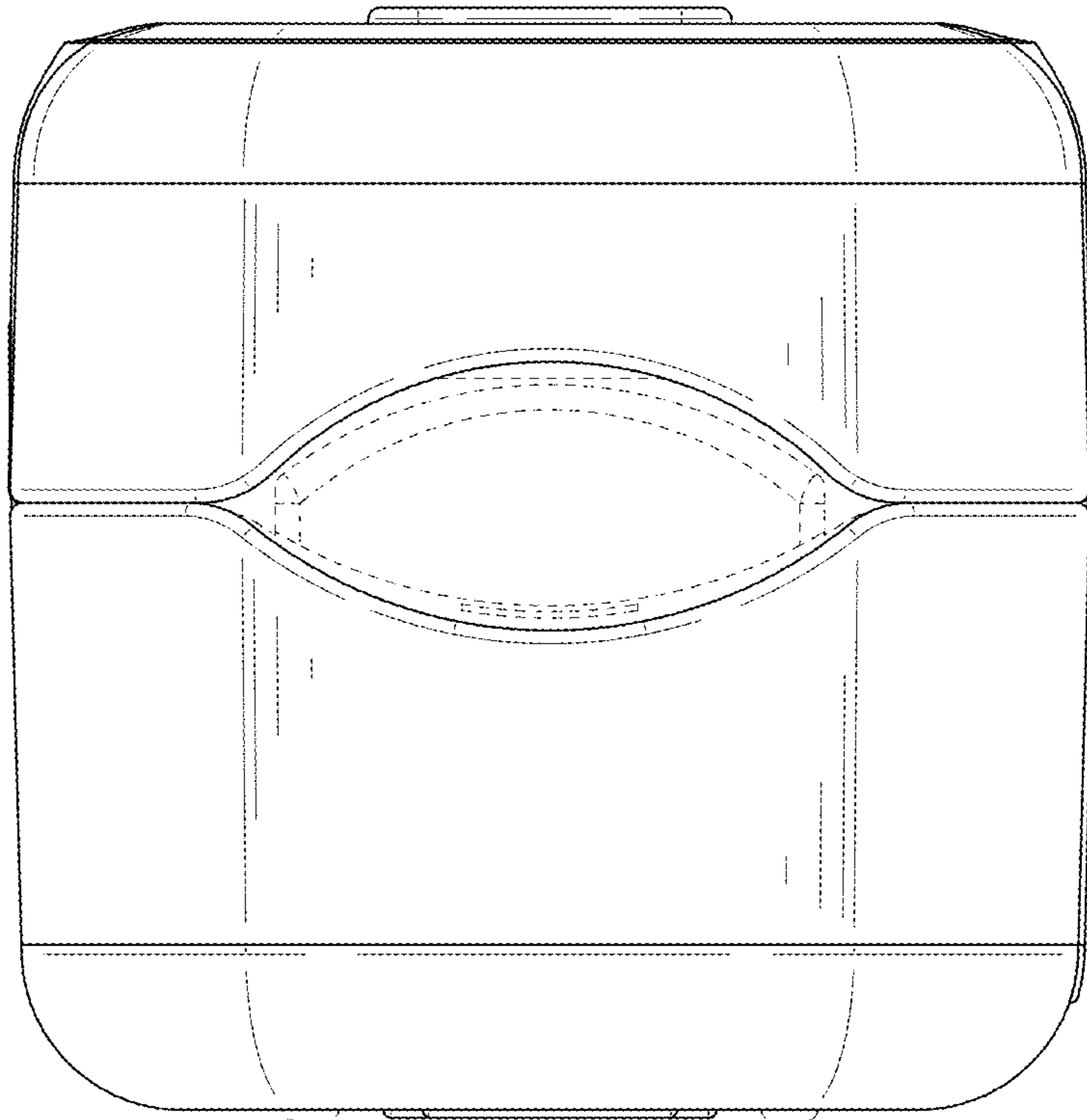


FIG. 3

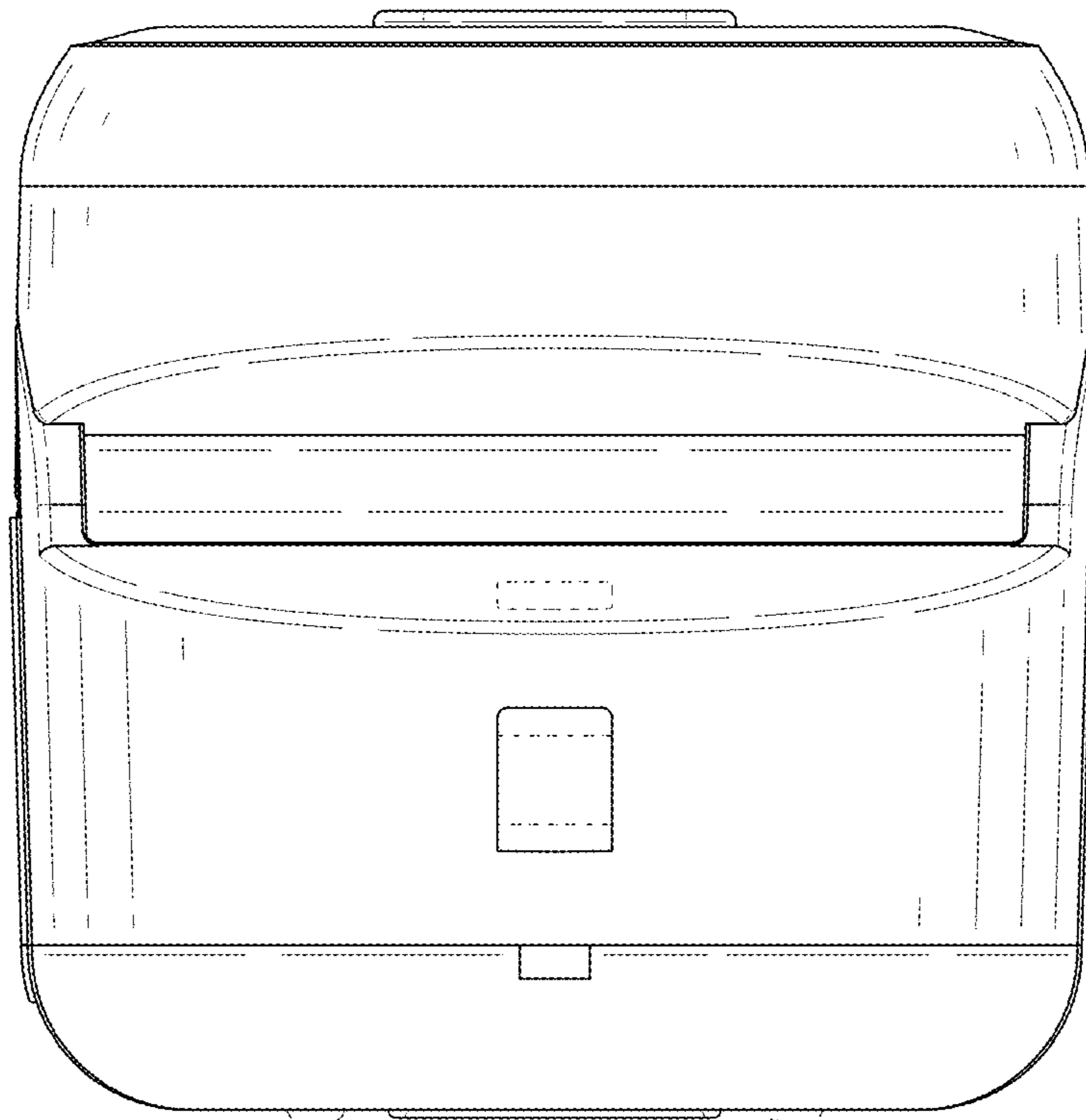


FIG. 4

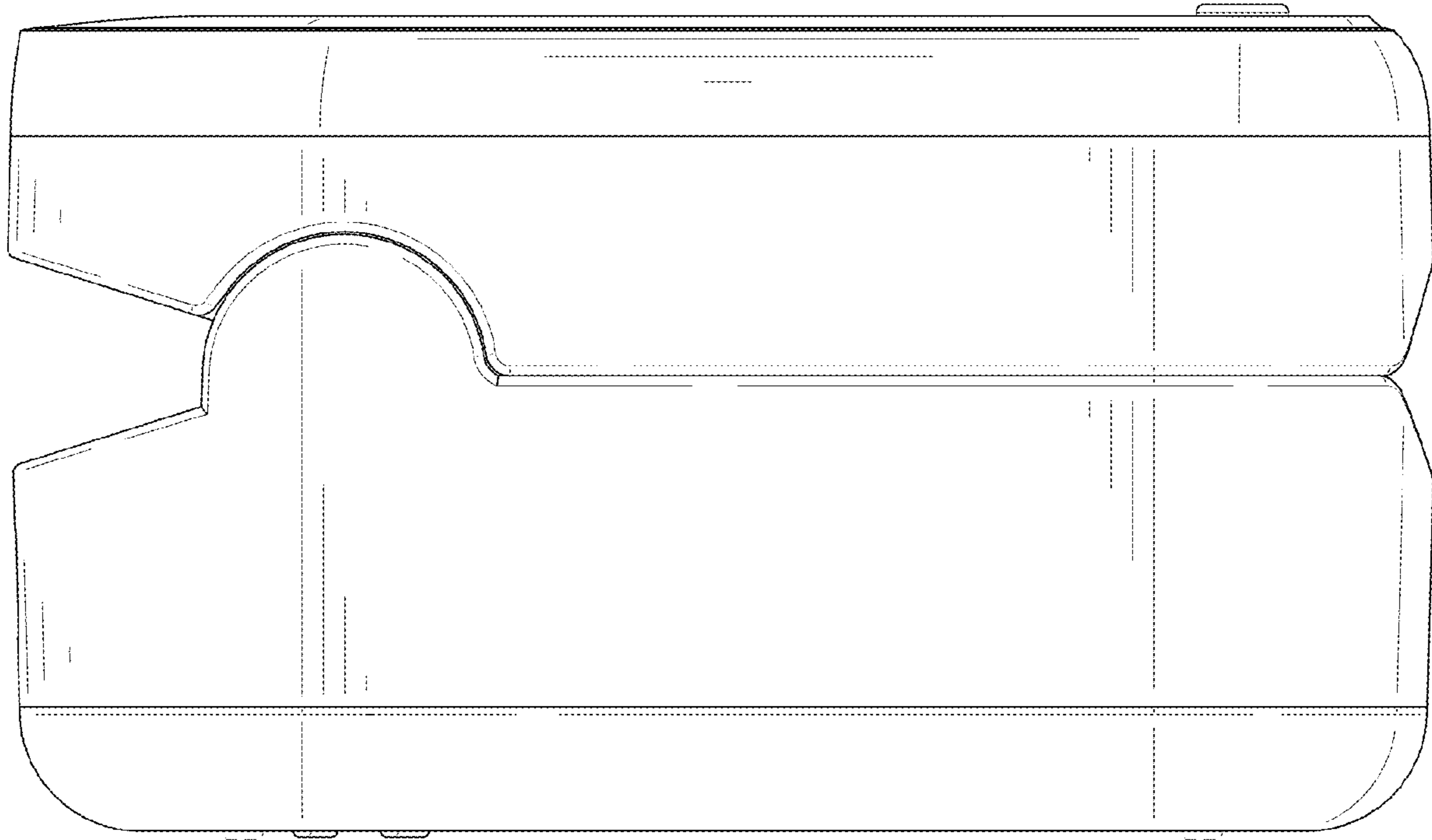


FIG. 5

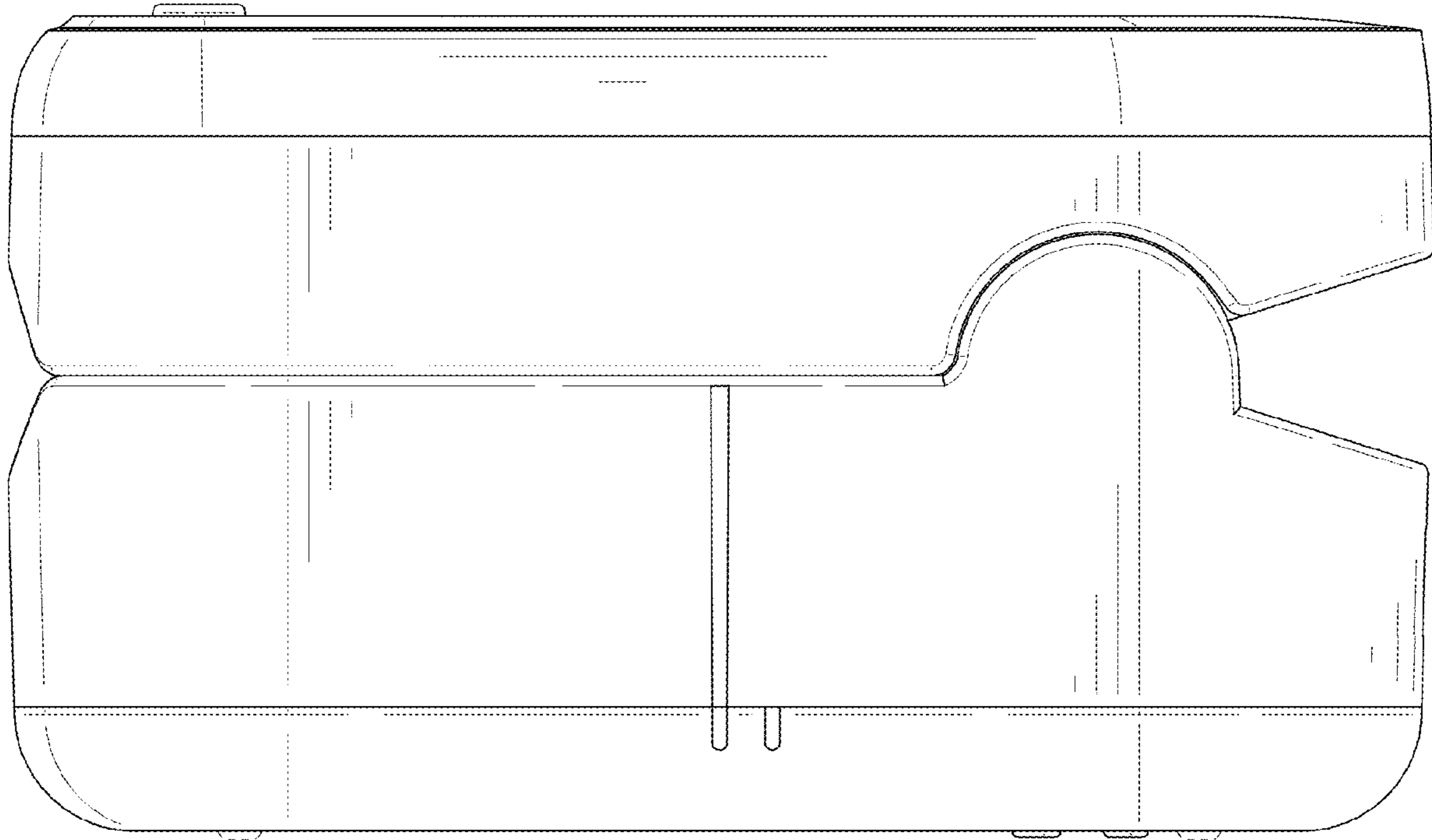


FIG. 6

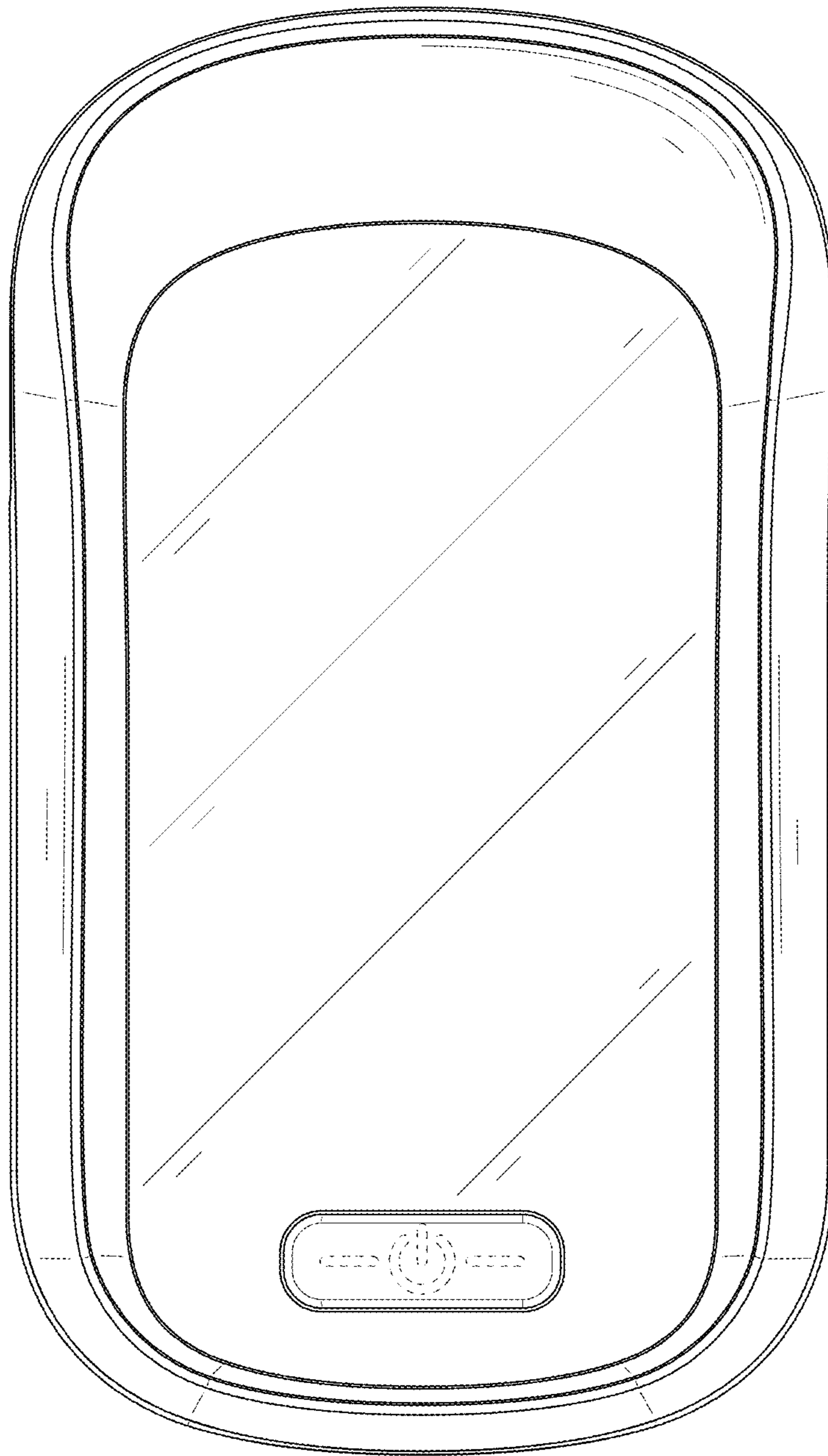


FIG. 7

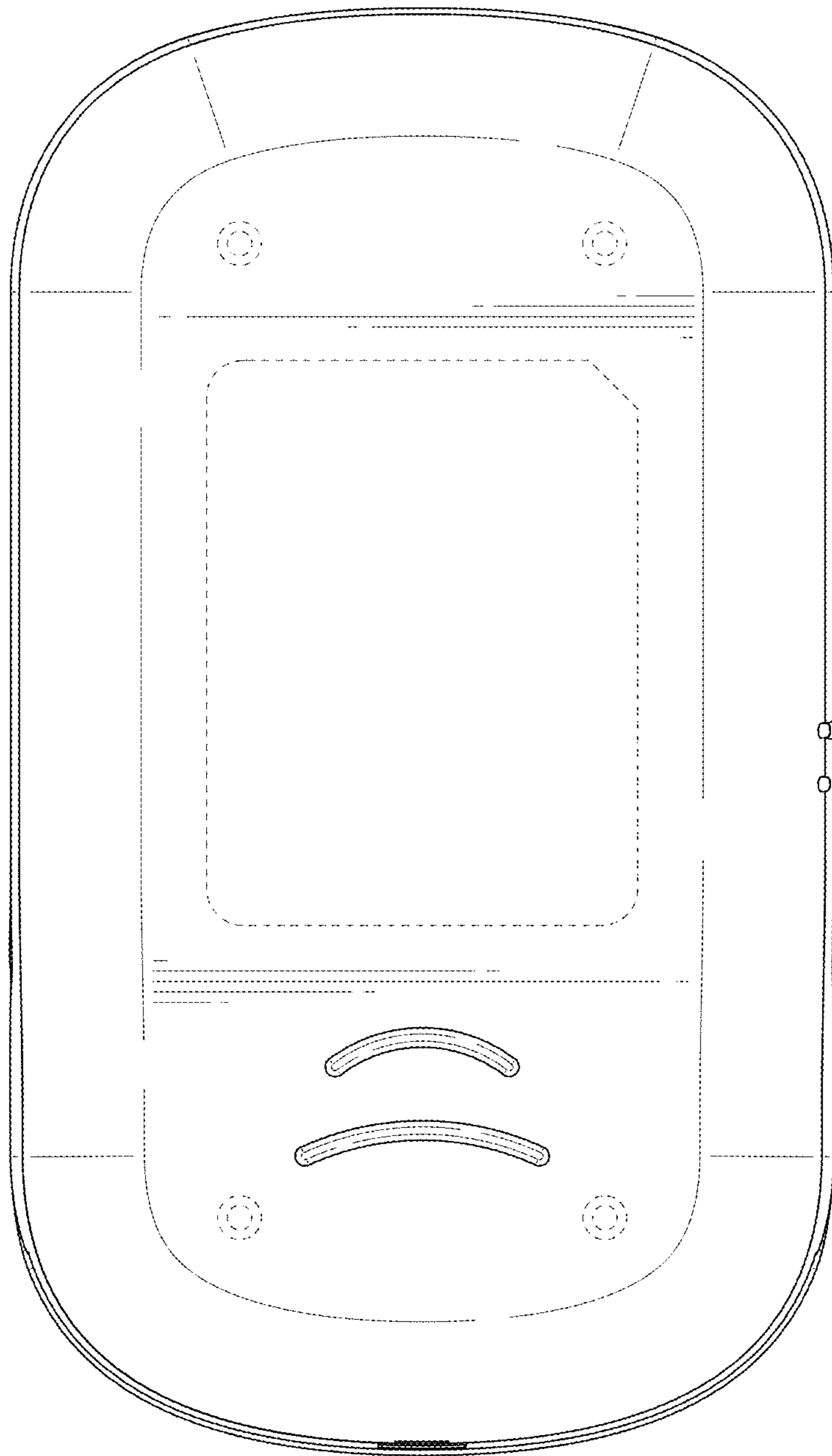


FIG. 8