



US00D925737S

(12) **United States Design Patent** (10) **Patent No.:** **US D925,737 S**
Andersen (45) **Date of Patent:** **** Jul. 20, 2021**

(54) **VAGINAL PLUG**
(71) Applicant: **INVENT MEDIC SWEDEN AB,**
Lund (SE)
(72) Inventor: **Line Irene Andersen,** Oslo (NO)
(73) Assignee: **INVENT MEDIC SWEDEN AB,**
Lund (SE)
(**) Term: **15 Years**
(21) Appl. No.: **29/767,891**
(22) Filed: **Jan. 26, 2021**

D475,793 S * 6/2003 Tinsley D24/214
D509,592 S 9/2005 Talbot et al.
D604,425 S * 11/2009 Stewart D24/214
D637,728 S * 5/2011 Sevier D24/211
D676,566 S * 2/2013 Tucker D24/214
D712,059 S 8/2014 Sedic
D719,665 S * 12/2014 Callow D24/214
D742,025 S * 10/2015 Callow D24/214
9,445,882 B2 9/2016 Henriksson et al.
D820,992 S 6/2018 King
D827,135 S 8/2018 Sedic
D829,922 S 10/2018 Sedic
D831,207 S 10/2018 Shalon
D845,478 S 4/2019 Luke
D865,983 S * 11/2019 Huang D24/211
D877,904 S 3/2020 Takashima
D883,504 S 5/2020 Takashima
D883,505 S 5/2020 Takashima
D883,506 S 5/2020 Takashima
D901,706 S * 11/2020 Cheung D24/215
D906,535 S * 12/2020 Li D24/215
D911,541 S * 2/2021 Cheung D24/215

Related U.S. Application Data

(62) Division of application No. 29/666,186, filed on Oct. 10, 2018, now Pat. No. Des. 913,494.

Foreign Application Priority Data

Apr. 11, 2018 (EM) 005230521

(51) **LOC (13) Cl.** **24-02**

(52) **U.S. Cl.**
USPC **D24/141**

(58) **Field of Classification Search**
USPC D24/107, 121, 124, 125, 141, 200, 215;
D7/700; 604/328, 329, 330
CPC A61F 5/455; A61F 5/4553; A61F 13/2045;
A61F 6/06; A61F 6/08; A61F 6/12; A61F
2/04; A61F 2/005; A61F 2/0009; A61F
2/0027; A61F 2/0036; A61F 2/0045;
A61B 1/303; A61H 21/00; A61H 19/00;
A61H 19/40; A61H 19/44; A61J 1/00;
A61J 1/05

See application file for complete search history.

(56) **References Cited**

U.S. PATENT DOCUMENTS

D387,174 S * 12/1997 Gladieux, Jr. D24/211
D475,141 S * 5/2003 Shin D24/214

(Continued)

Primary Examiner — Wan Laymon

Assistant Examiner — Clint A Samuel

(74) *Attorney, Agent, or Firm* — Norris McLaughlin, P.A.

(57) **CLAIM**

The ornamental design for a vaginal plug, as shown and described.

DESCRIPTION

FIG. 1 is a perspective side view of a vaginal plug, showing my new design;

FIG. 2 is a side plan view thereof;

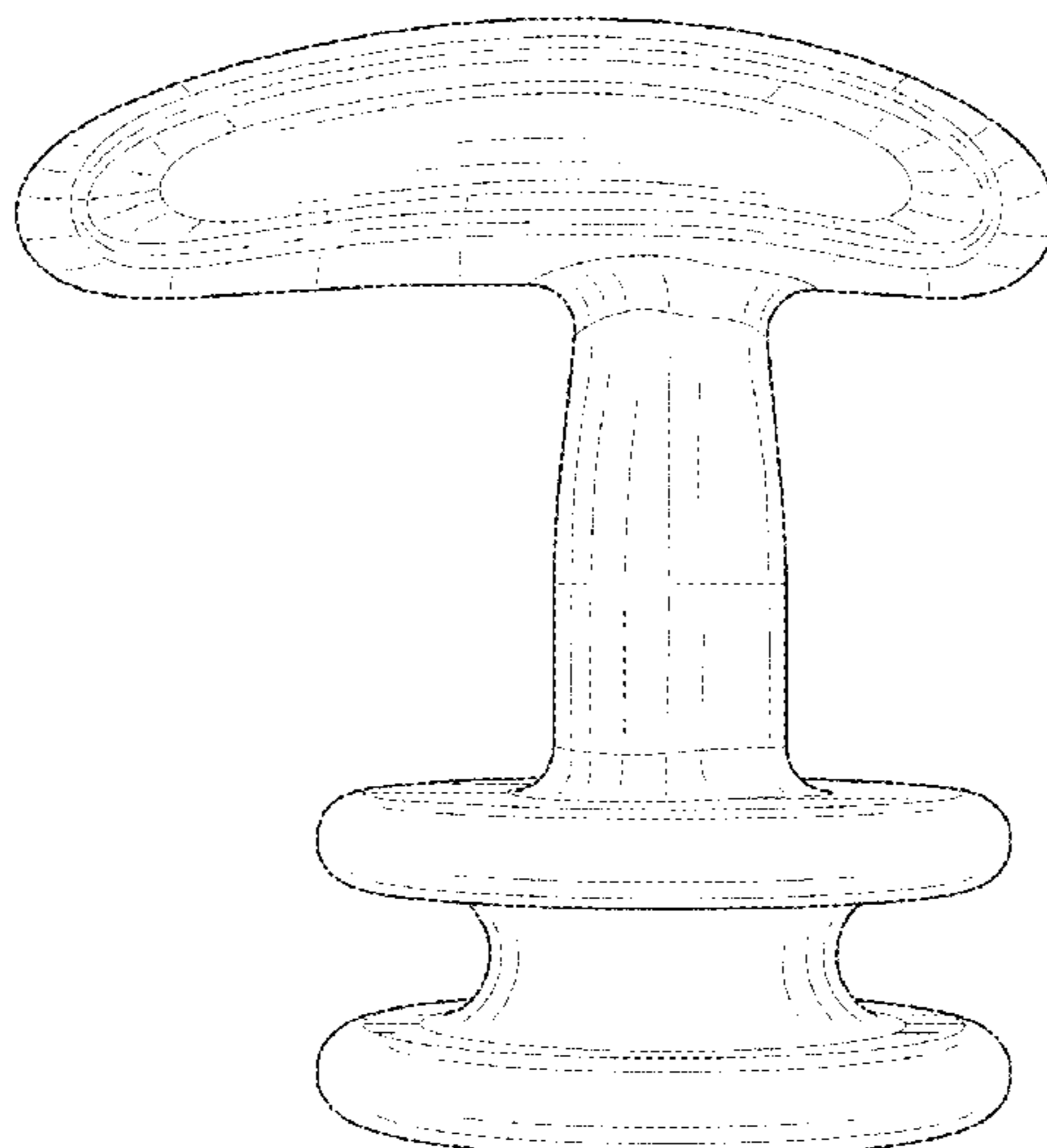
FIG. 3 is a perspective back view thereof;

FIG. 4 is a front plan view thereof;

FIG. 5 is a top plan view thereof; and,

FIG. 6 is a bottom plan view thereof.

1 Claim, 6 Drawing Sheets



(56)

References Cited

U.S. PATENT DOCUMENTS

10,925,705 B2 * 2/2021 Ramachandran A61F 6/08
D913,494 S * 3/2021 Andersen D24/141
2014/0228629 A1 8/2014 Baetica et al.
2020/0214617 A1 7/2020 Sham

* cited by examiner

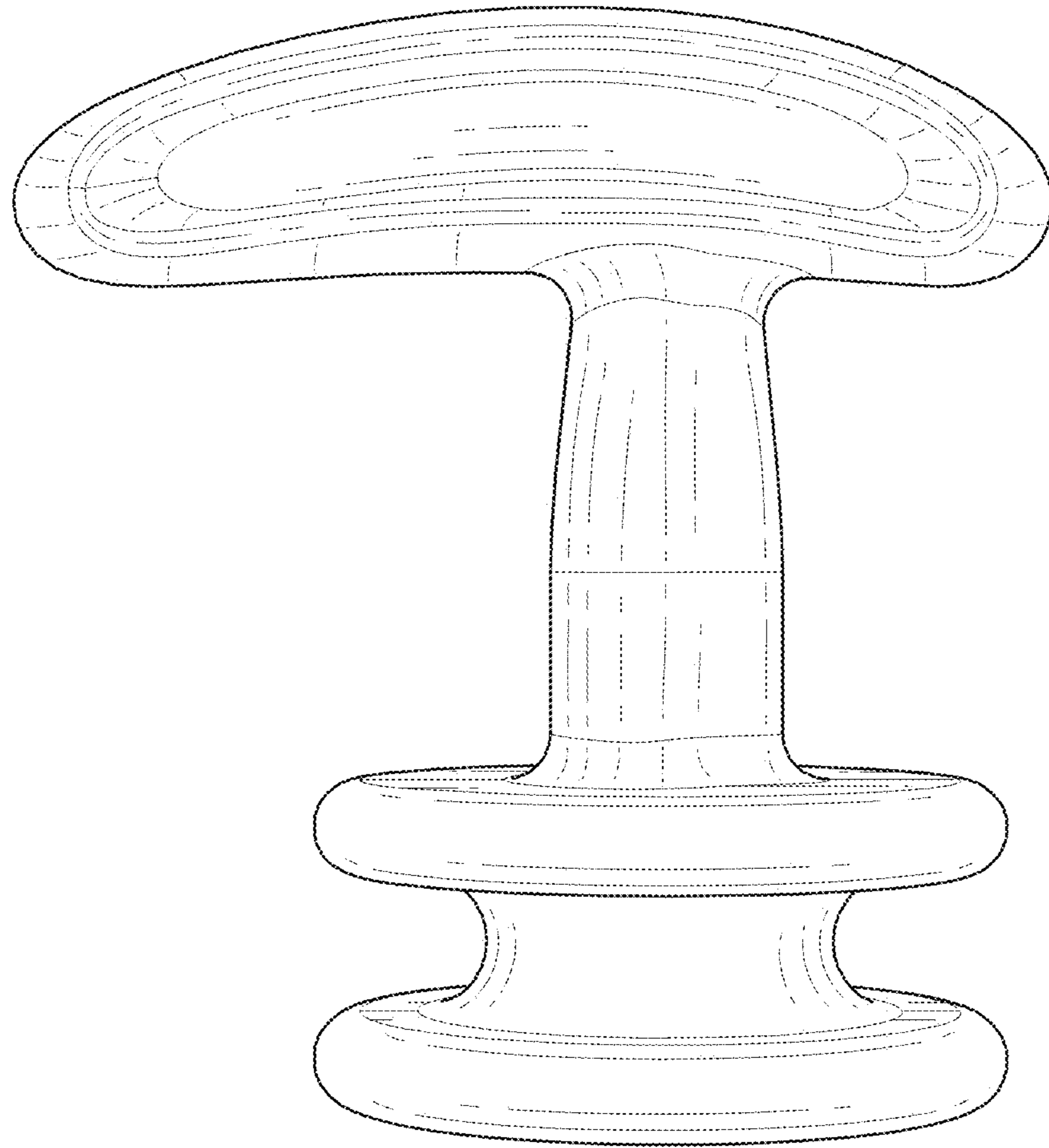


FIG. 1

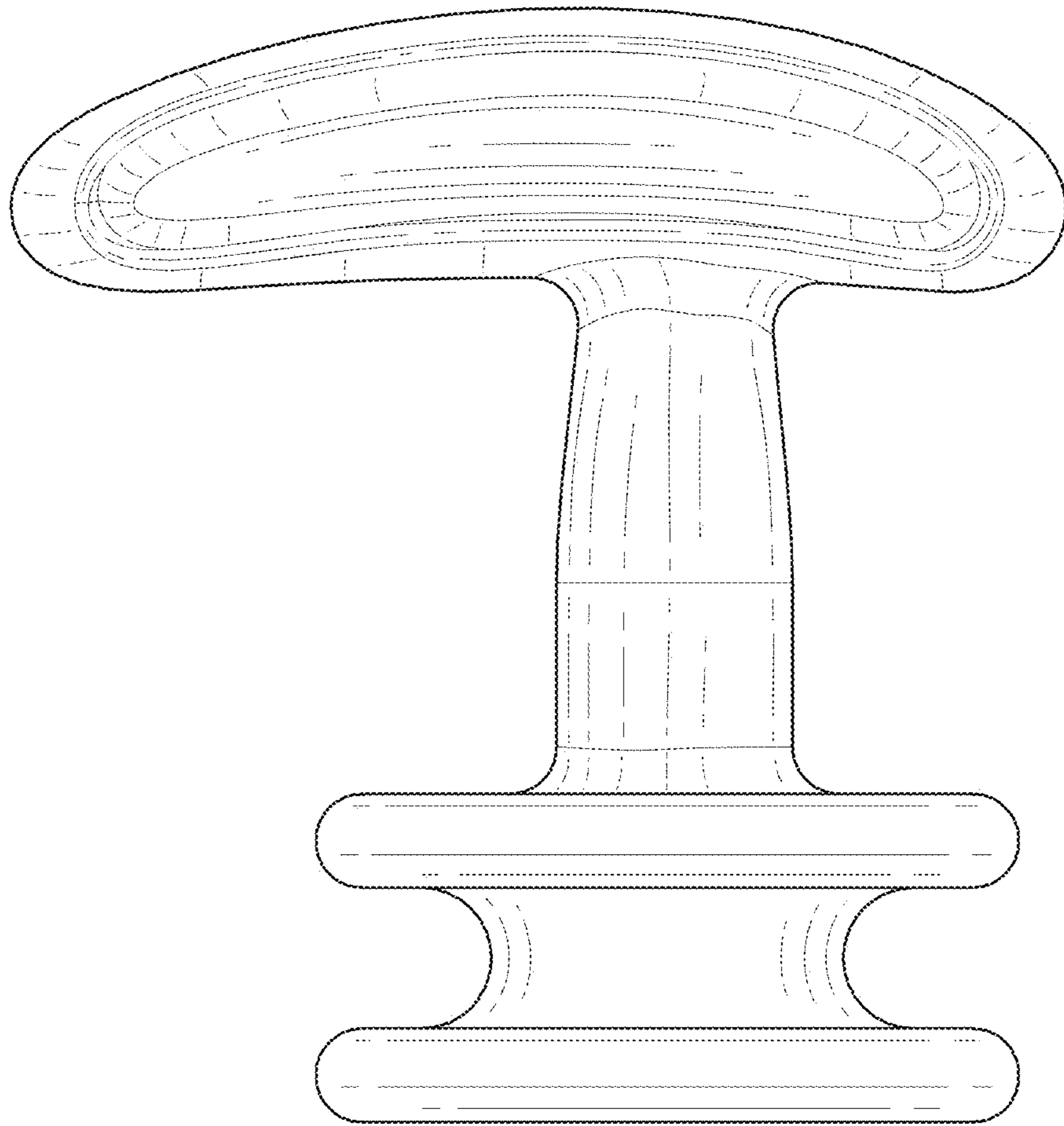


FIG. 2

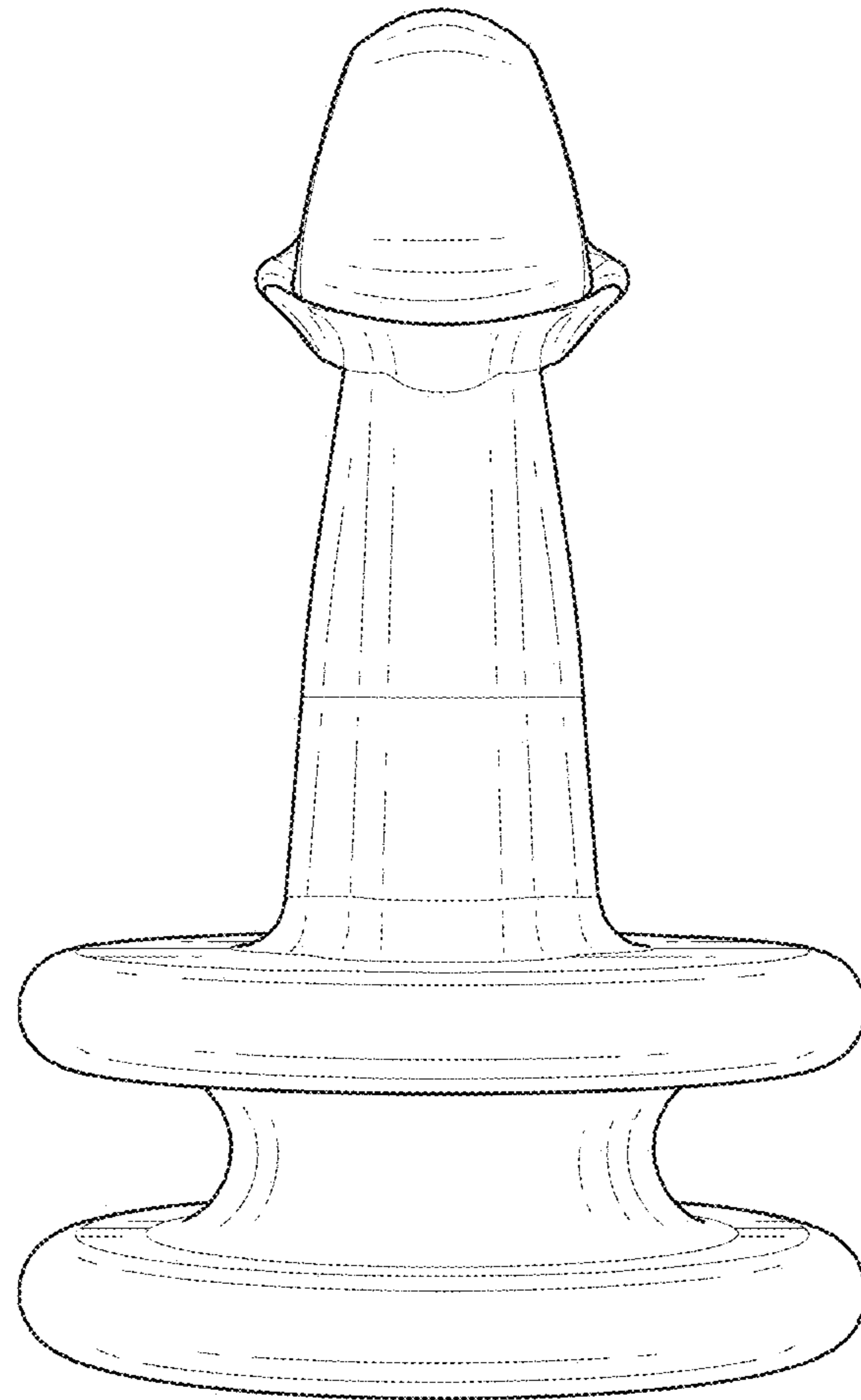


FIG. 3

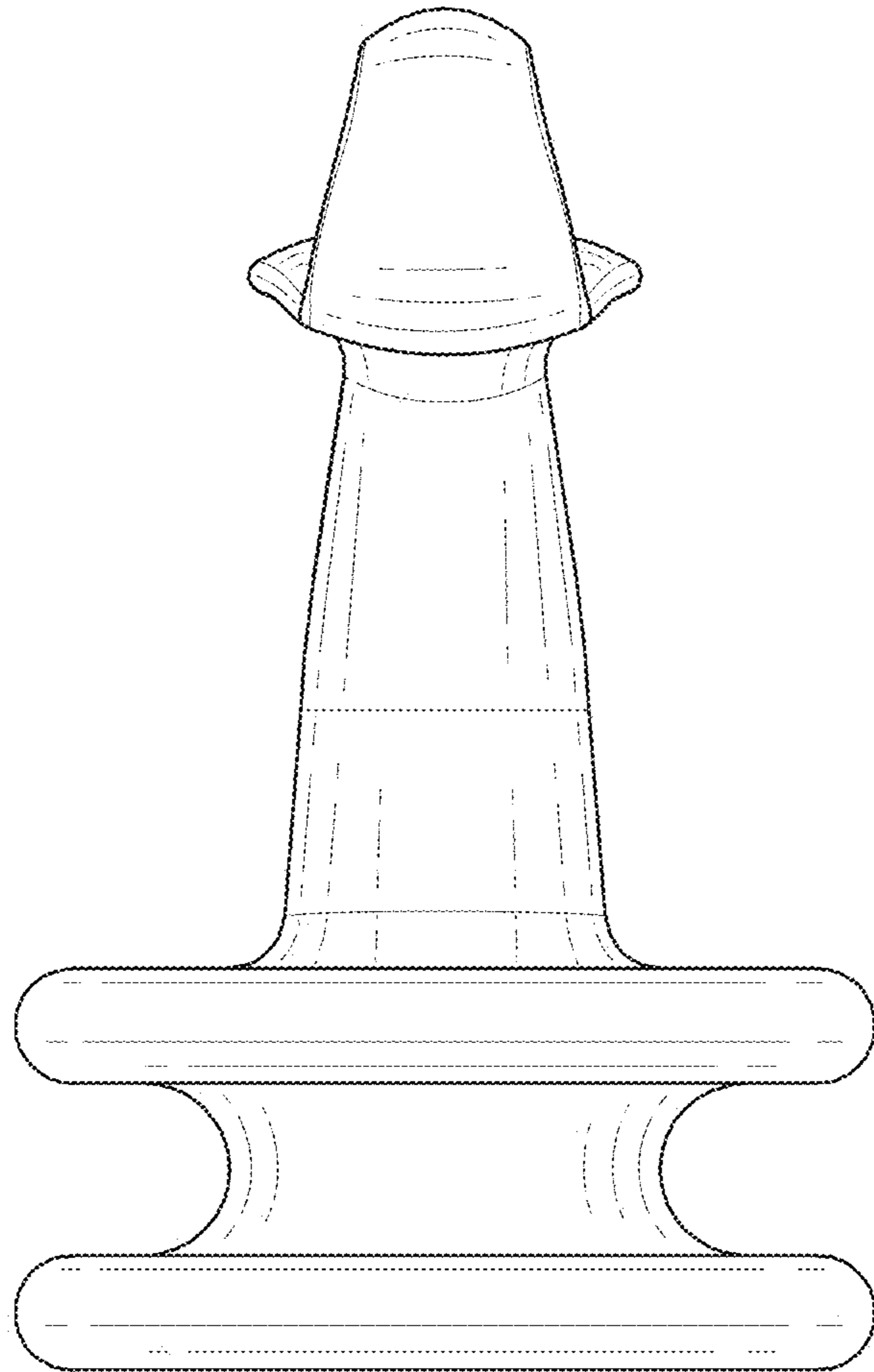


FIG. 4

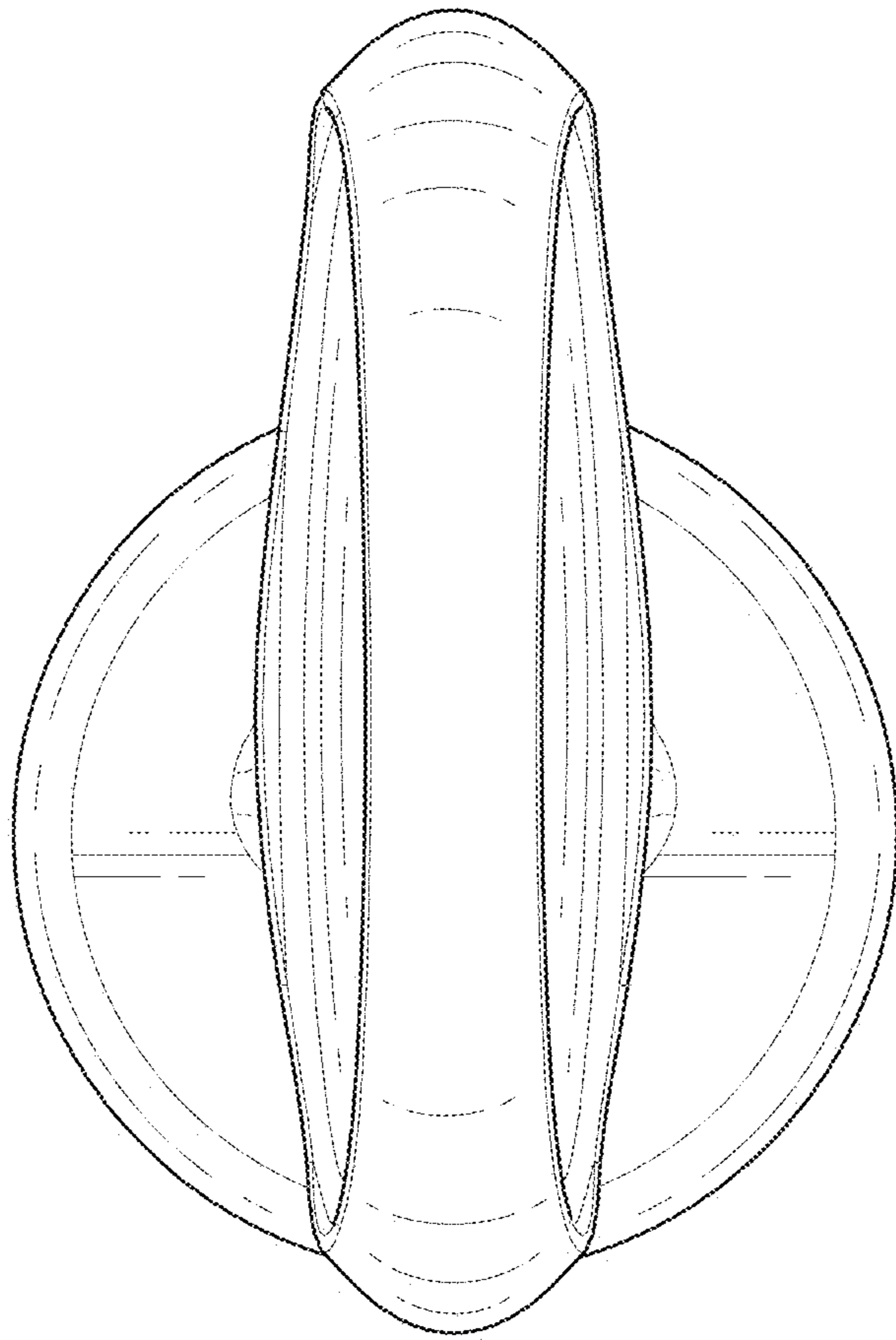


FIG.5

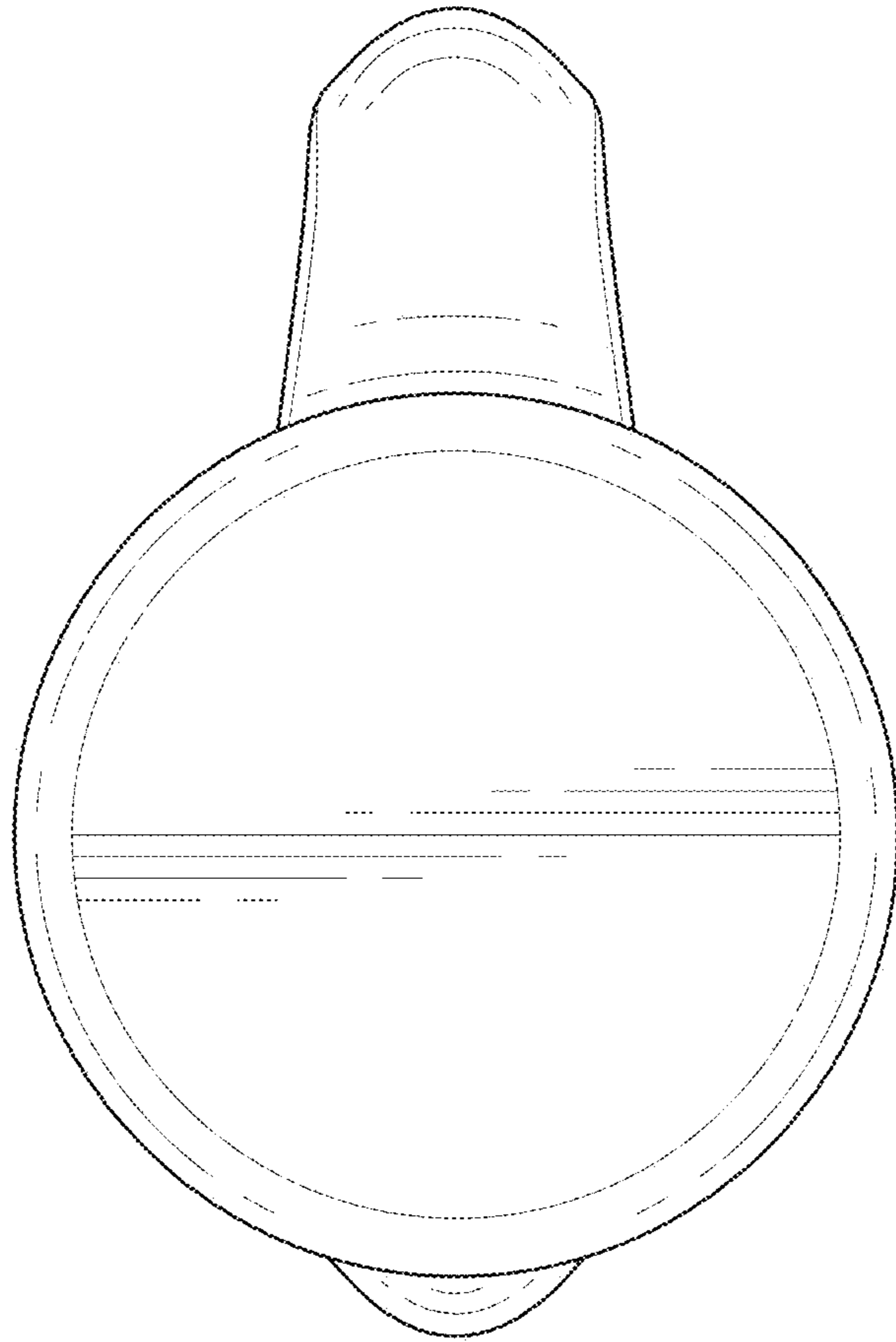


FIG. 6