



US00D925735S

(12) **United States Design Patent**
Bernardoni et al.

(10) **Patent No.:** **US D925,735 S**
(45) **Date of Patent:** **** Jul. 20, 2021**

(54) **HANDLE OF A MEDICAL TOOL**

FOREIGN PATENT DOCUMENTS

(71) Applicant: **MEDACTA INTERNATIONAL SA**,
Castel San Pietro (CH)

JP 6078052 B2 2/2017

(72) Inventors: **Massimiliano Bernardoni**, Castel San
Pietro (CH); **Frederic Laude**, Castel
San Pietro (CH); **Ermete Rossi**, Castel
San Pietro (CH); **Francesco Siccardi**,
Castel San Pietro (CH); **Christian
Trombetta**, Castel San Pietro (CH)

OTHER PUBLICATIONS

English Translation of Notice of Search Results issued in JP
2020-01542, dated Sep. 14, 2020.

(Continued)

(73) Assignee: **MEDACTA INTERNATIONAL SA**,
Castel San Pietro (CH)

Primary Examiner — T Chase Nelson

Assistant Examiner — Kelly L Gross

(74) *Attorney, Agent, or Firm* — Meunier Carlin &
Curfman LLC

(**) Term: **15 Years**

(57) **CLAIM**

We claim the ornamental design for a handle of a medical
tool, as shown and described.

(21) Appl. No.: **29/723,345**

DESCRIPTION

(22) Filed: **Feb. 6, 2020**

(30) **Foreign Application Priority Data**

Nov. 7, 2019 (IT) 102019000020576

(51) **LOC (13) Cl.** **24-02**

(52) **U.S. Cl.**
USPC **D24/133**

(58) **Field of Classification Search**
USPC D24/108, 112, 113, 114, 115, 116, 117,
D24/127, 133, 134, 136, 137, 138, 143,
(Continued)

FIG. 1 is a perspective view of a handle of a medical tool
showing our new design.

FIG. 2 is a front view of our new design shown in FIG. 1.

FIG. 3 is a rear view of our new design shown in FIG. 1.

FIG. 4 is left-side view of our new design shown in FIG. 1.

FIG. 5 is a right-side view of our new design shown in FIG.

1.

FIG. 6 is a top view of our new design shown in FIG. 1; and,

FIG. 7 is a bottom view of our new design shown in FIG. 1.

The broken lines consisting of short broken lines show the
remaining portions of the handle of a medical tool that form
no part of the claimed design. The broken lines consisting of
dot-dash lines are boundary lines that show that the claimed
design extends to the boundary line but does not include the
boundary line.

The medical tool may be, but is not limited to, an orthopedic
tool, such as a broach, a reamer, or an impactor.

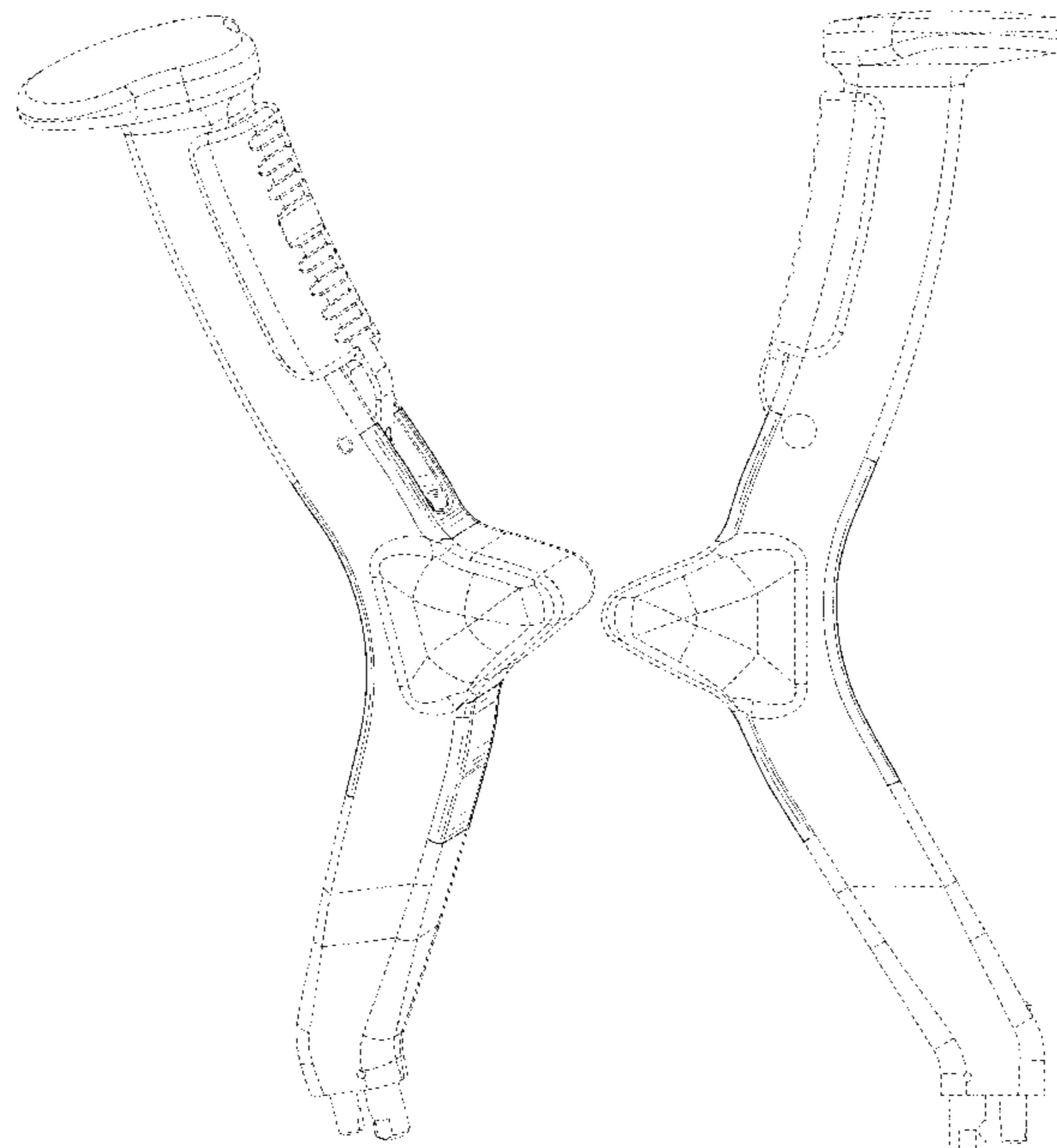
(56) **References Cited**

U.S. PATENT DOCUMENTS

D155,908 S * 11/1949 La Forte D8/41
D226,410 S * 2/1973 Kunze D7/649

(Continued)

1 Claim, 6 Drawing Sheets



(58) **Field of Classification Search**

USPC D24/145, 200, 144, 147, 152, 130, 146,
 D24/119, 153, 154, 156, 118, 201, 202,
 D24/222; D8/14, 16, 19, 21, 82, 83, 84,
 D8/85, 86, 107, 34, 300, 303, 314, 372,
 D8/374, 394, 77, 17, 22, 23, 24, 25, 26,
 D8/27, 28, 29, 52, 55, 81, 87, 102, 103,
 D8/104, 105, 106, 98, 99, 93, 94, 338,
 D8/343, 352, 387, 321, DIG. 1, DIG. 2;
 D28/55-57, 65; D23/223-226; D21/325,
 D21/329, 331; D14/401; D13/162
 CPC A61C 5/42; A61C 3/00; A61C 1/0015;
 A61C 1/10; A61C 1/12; A61C 17/00;
 A61C 17/20; A61C 17/0202; A61C
 17/225; A61C 3/02; A61C 3/10; A61C
 3/14; A61C 3/16; A61C 15/00; A61C
 15/02; A61C 15/048; A61C 1/14; A61C
 7/00; A61C 7/02; A61C 7/04; Y10T
 16/506; Y10T 16/487; Y01T 292/82;
 A61B 1/00; A61B 1/267; A61B 1/0052;
 A61B 1/0684; A61B 1/00039

See application file for complete search history.

(56) **References Cited**

U.S. PATENT DOCUMENTS

D283,968 S * 5/1986 Marquis D7/652
 D300,506 S * 4/1989 Pedone D8/303
 D309,984 S * 8/1990 Gingras D4/138
 D319,104 S * 8/1991 Grossi D24/138
 D321,817 S * 11/1991 Hughes D8/14
 D331,183 S * 11/1992 Henson D8/303
 5,186,714 A * 2/1993 Boudreault A61M 1/0064
 604/21
 5,251,380 A * 10/1993 Craig B25G 1/102
 16/421
 D348,819 S * 7/1994 Craig D8/107
 D349,559 S * 8/1994 Vanderhoef D23/227
 D363,609 S * 10/1995 Bochnak D4/138
 D368,633 S * 4/1996 Nakayama D8/95
 D375,876 S * 11/1996 Allison D7/650
 D382,453 S * 8/1997 Drinkwater D8/18
 D384,279 S * 9/1997 Hepworth D9/434
 D396,624 S * 8/1998 Basilius D8/107
 D403,035 S * 12/1998 MacPherson D21/684
 D404,280 S * 1/1999 Wen D8/107
 D424,997 S * 5/2000 Tamaribuchi D12/178
 D426,136 S * 6/2000 Yu D8/107
 D426,424 S * 6/2000 Callahan D7/395
 D439,491 S * 3/2001 Falt D8/98
 D440,492 S * 4/2001 Ellers D9/434
 D449,499 S * 10/2001 Voges D24/133
 6,336,382 B2 * 1/2002 Cerda B25B 13/461
 81/177.1
 D453,376 S * 2/2002 McMahon D24/108
 D453,833 S * 2/2002 Hess D24/144
 D466,388 S * 12/2002 Chemtob D8/107
 D476,214 S * 6/2003 Hsu D8/99
 D484,594 S * 12/2003 Hayamizu D24/138
 D487,796 S * 3/2004 Huang D23/223
 D494,270 S * 8/2004 Reschke D24/133
 D496,994 S * 10/2004 Tague D24/133
 D498,130 S * 11/2004 Tomchak D8/107
 D499,121 S * 11/2004 Masalin D15/28
 D512,147 S * 11/2005 Barker D24/133
 D514,421 S * 2/2006 Mineau D7/401.2
 D514,422 S * 2/2006 Lai D8/300
 D515,393 S * 2/2006 Lin D8/107
 D530,818 S * 10/2006 Lin D24/138
 D549,329 S * 8/2007 Aparici et al.
 D550,841 S * 9/2007 Berci D24/133
 D553,462 S * 10/2007 Cantlon D8/71
 D553,935 S * 10/2007 Cantlon D8/71

D556,006 S * 11/2007 Cantlon D8/107
 D558,934 S * 1/2008 Khubani D30/158
 D571,626 S * 6/2008 Escoe D8/24
 D573,351 S * 7/2008 Angers D4/138
 D574,081 S * 7/2008 Berry Pitts D24/152
 D574,211 S * 8/2008 Muehlebach D8/107
 D574,233 S * 8/2008 Young, Sr. D9/434
 D576,273 S * 9/2008 McClintok D24/113
 D578,216 S * 10/2008 Dorn D24/133
 D584,412 S * 1/2009 Semler D24/169
 D589,515 S * 3/2009 Brunner D14/412
 D589,619 S * 3/2009 Wu D24/133
 D590,062 S * 4/2009 Wu D24/133
 D597,668 S * 8/2009 Woodruff D24/133
 D608,889 S * 1/2010 Tenger D24/137
 D611,598 S * 3/2010 Tenger D24/133
 D615,192 S * 5/2010 Mudd D24/113
 D616,987 S * 6/2010 Brown D24/146
 D617,908 S * 6/2010 Nuenke D24/214
 D619,251 S * 7/2010 Justiniano-Garcia
 A61B 17/32053
 D621,042 S * 8/2010 Ruf D24/146
 D625,572 S * 10/2010 Hoertnagl D8/45
 D625,746 S * 10/2010 Roberts D15/144
 D628,695 S * 12/2010 Ruf D24/146
 D631,158 S * 1/2011 Doerges D24/137
 D632,391 S * 2/2011 Gitman D24/147
 D632,787 S * 2/2011 Tenger D24/133
 D633,361 S * 3/2011 Chang D8/98
 D634,843 S * 3/2011 Kim D24/140
 D638,270 S * 5/2011 Flattinger D8/30
 D638,934 S * 5/2011 Kimmel D24/130
 D640,006 S * 6/2011 Helms D28/61
 D641,222 S * 7/2011 Molina D8/61
 D641,871 S * 7/2011 Tenger D24/133
 D646,385 S * 10/2011 Gauthier D24/133
 D652,139 S * 1/2012 Shah D24/133
 D654,133 S * 2/2012 Barnett D22/107
 D658,026 S * 4/2012 Dale D8/107
 D660,430 S * 5/2012 Horning D24/146
 D661,964 S * 6/2012 Pangborn D8/107
 D669,631 S * 10/2012 Monty D27/136
 D671,644 S * 11/2012 Dodd D24/146
 D672,469 S * 12/2012 Christensen D24/222
 D674,479 S * 1/2013 Merchant D24/108
 D686,477 S * 7/2013 Pookrum D8/57
 D689,539 S * 9/2013 Zaletel D16/242
 D690,811 S * 10/2013 Horning D24/146
 8,616,098 B1 * 12/2013 Rosow B25G 1/102
 81/489
 D699,347 S * 2/2014 Dodd D24/146
 D708,744 S * 7/2014 Morris D24/144
 D718,442 S * 11/2014 Yoshida D24/138
 D718,443 S * 11/2014 Yoshida D24/138
 D718,444 S * 11/2014 Yoshida D24/138
 D718,445 S * 11/2014 Yoshida D24/138
 D718,446 S * 11/2014 Yoshida D24/138
 D718,447 S * 11/2014 Yoshida D24/138
 D718,450 S * 11/2014 Rodriguez D24/152
 D719,651 S * 12/2014 Hoffmann D24/133
 D723,687 S * 3/2015 Kratoska D24/144
 D728,802 S * 5/2015 Matsumura D24/187
 D729,385 S * 5/2015 Gitman D24/147
 D731,272 S * 6/2015 Salvat D8/34
 D731,487 S * 6/2015 Matloff D14/412
 D735,327 S * 7/2015 Van Wyk D24/133
 D737,966 S * 9/2015 Meguro D24/138
 D739,496 S * 9/2015 Hollinger D23/223
 D746,460 S * 12/2015 Gitman D24/147
 D747,801 S * 1/2016 Kwon D24/133
 9,295,480 B2 * 3/2016 Ye A61B 17/1695
 D753,301 S * 4/2016 Fiksen D24/144
 D767,718 S * 9/2016 Lampman D23/223
 D770,618 S * 11/2016 Fiksen D24/144
 D775,338 S * 12/2016 Gitman D24/147
 D775,926 S * 1/2017 Atkins D8/303
 D777,328 S * 1/2017 Tanaka D24/138
 D777,915 S * 1/2017 Tanaka D24/138

(56)

References Cited

U.S. PATENT DOCUMENTS

D778,706 S * 2/2017 Atkins D8/303
 D779,053 S * 2/2017 Kobida D24/108
 D782,672 S * 3/2017 Tanaka D24/138
 D799,036 S * 10/2017 Osada D24/138
 D803,396 S * 11/2017 Oberkircher D24/133
 D806,230 S * 12/2017 Johnson D24/112
 D811,585 S * 2/2018 Green D24/112
 D812,744 S * 3/2018 Robinson D24/133
 D814,264 S * 4/2018 Werdowatz D8/303
 D816,837 S * 5/2018 Fuhr D24/137
 D824,130 S * 7/2018 Vosbikian D32/52
 D824,626 S * 7/2018 Vosbikian D32/52
 D837,374 S * 1/2019 Wonderley D24/146
 D840,047 S * 2/2019 Koo D24/215
 D841,650 S * 2/2019 Masin D14/426
 D842,465 S * 3/2019 Osada D24/138
 D846,740 S * 4/2019 Schneider D24/147
 D846,967 S * 4/2019 Werdowatz D8/303
 D852,357 S * 6/2019 Osada D24/138
 D852,358 S * 6/2019 Matuschek D24/138
 D852,593 S * 7/2019 Goodwin D8/2
 D854,147 S * 7/2019 Funakoshi D24/129
 D858,697 S * 9/2019 Crenshaw D23/213
 D860,755 S * 9/2019 Wildes D8/303
 D863,446 S * 10/2019 Bristol D21/333
 D865,072 S * 10/2019 Gambucci D21/468
 D865,638 S * 11/2019 Kruk D12/345
 D873,413 S * 1/2020 Ohno D24/127
 D874,649 S * 2/2020 Gonzalez D24/146

D875,799 S * 2/2020 Crowe D15/144
 D875,884 S * 2/2020 Howell D23/223
 D883,767 S * 5/2020 Hoyos Ariza D8/307
 D885,040 S * 5/2020 Pashandi D3/12
 D887,239 S * 6/2020 Nystrom D8/61
 D888,349 S * 6/2020 Yoo D30/158
 D891,218 S * 7/2020 Su D8/107
 D894,877 S * 9/2020 Williams, Sr. D14/228
 D896,057 S * 9/2020 Cesin D8/107
 D896,608 S * 9/2020 Constantine D8/107
 D898,195 S * 10/2020 Gitman D24/147
 D898,910 S * 10/2020 Hansen D24/137
 D902,401 S * 11/2020 Ohno D24/138
 D904,608 S * 12/2020 Attinger D24/138
 D905,241 S * 12/2020 Ohno D24/138
 D905,854 S * 12/2020 Kao D24/144
 D908,835 S * 1/2021 Barney D23/213
 D909,840 S * 2/2021 Hodgins D8/44
 D911,135 S * 2/2021 Petzl D8/14
 D911,289 S * 2/2021 Itoh D13/146
 D911,332 S * 2/2021 Zhong D14/385
 D911,521 S * 2/2021 Swift D24/135
 D911,524 S * 2/2021 Gitman D24/146
 D911,794 S * 3/2021 Tarnay D8/14
 D912,767 S * 3/2021 Ladwig D23/223

OTHER PUBLICATIONS

English Translation of Notice of Search Results issued in JP 2020-010541, dated Sep. 14, 2020.

* cited by examiner

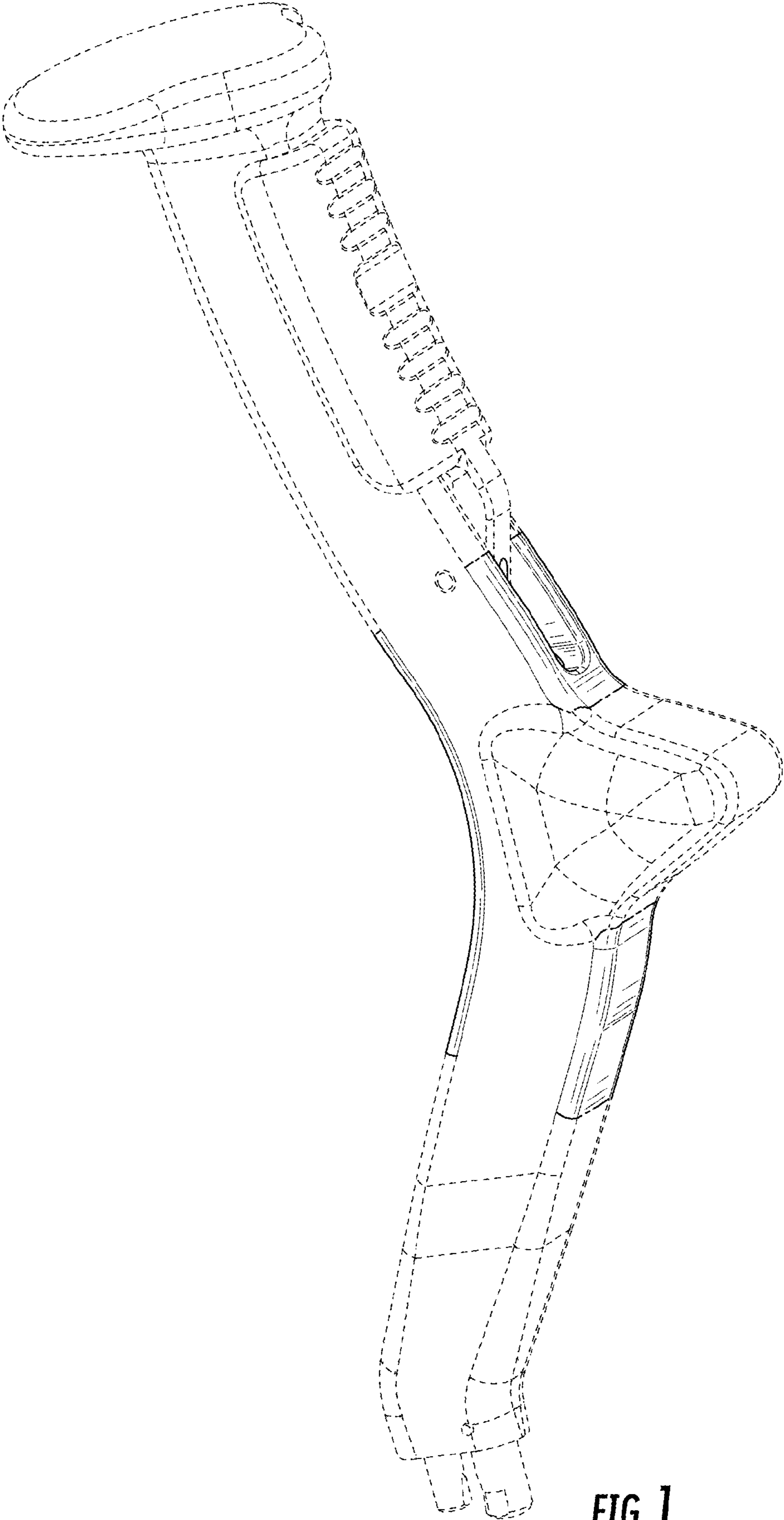


FIG. 1

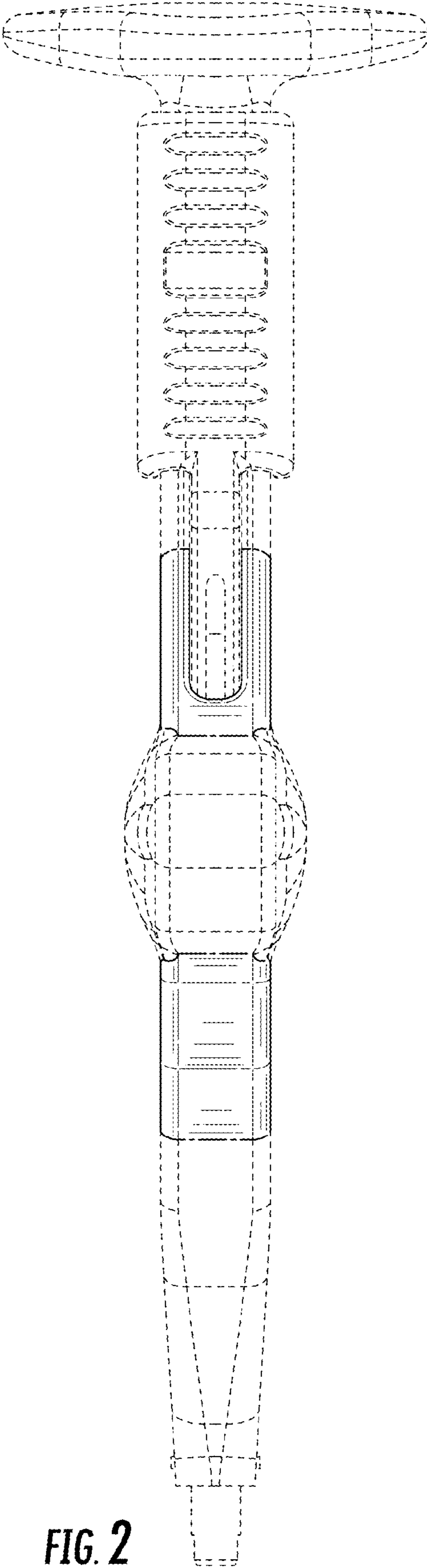


FIG. 2

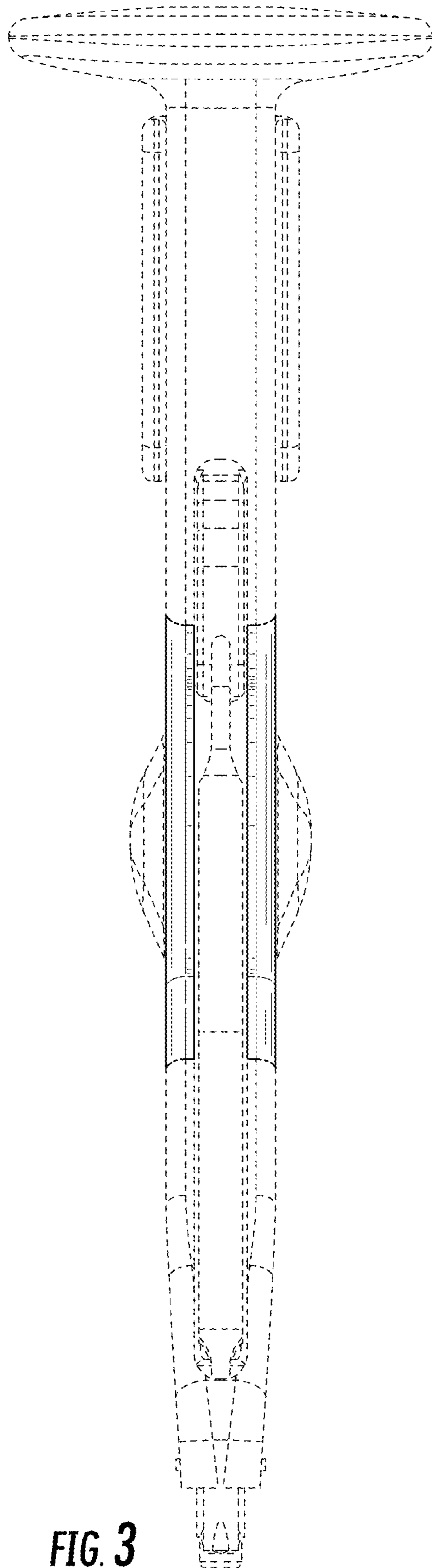


FIG. 3

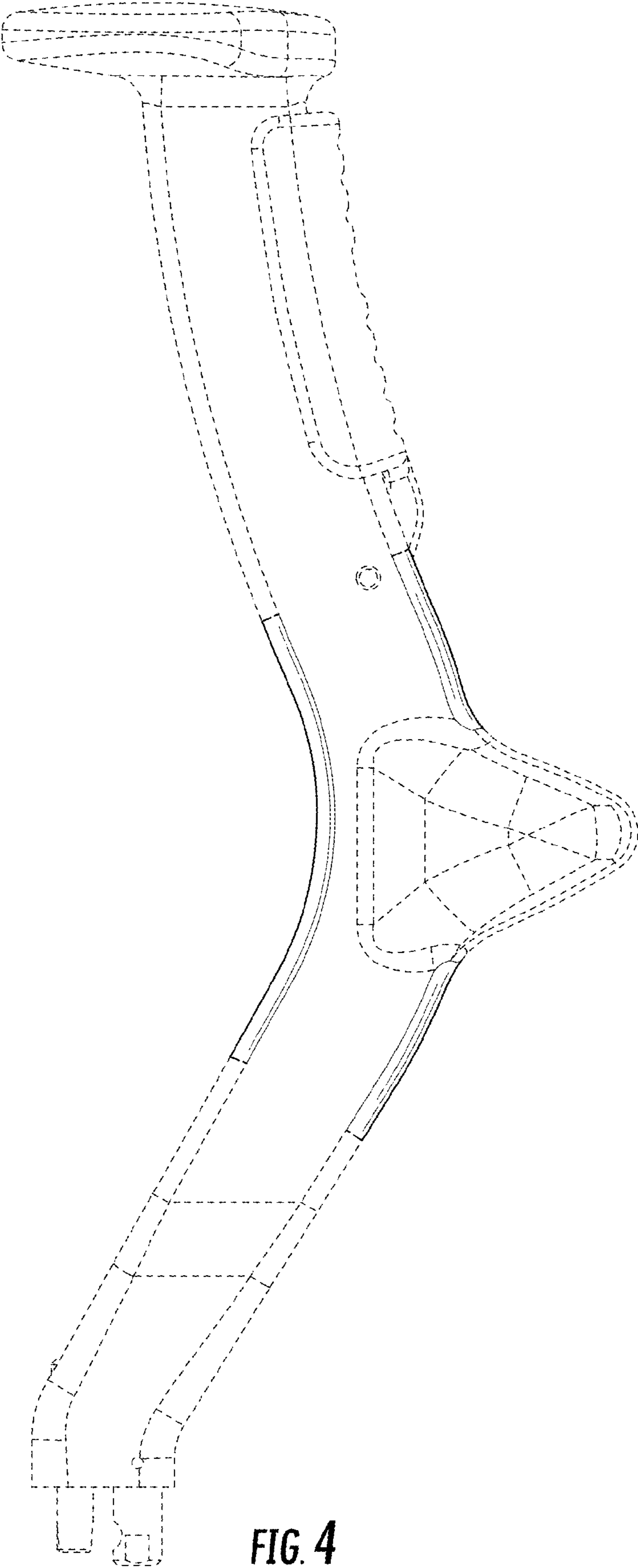


FIG. 4

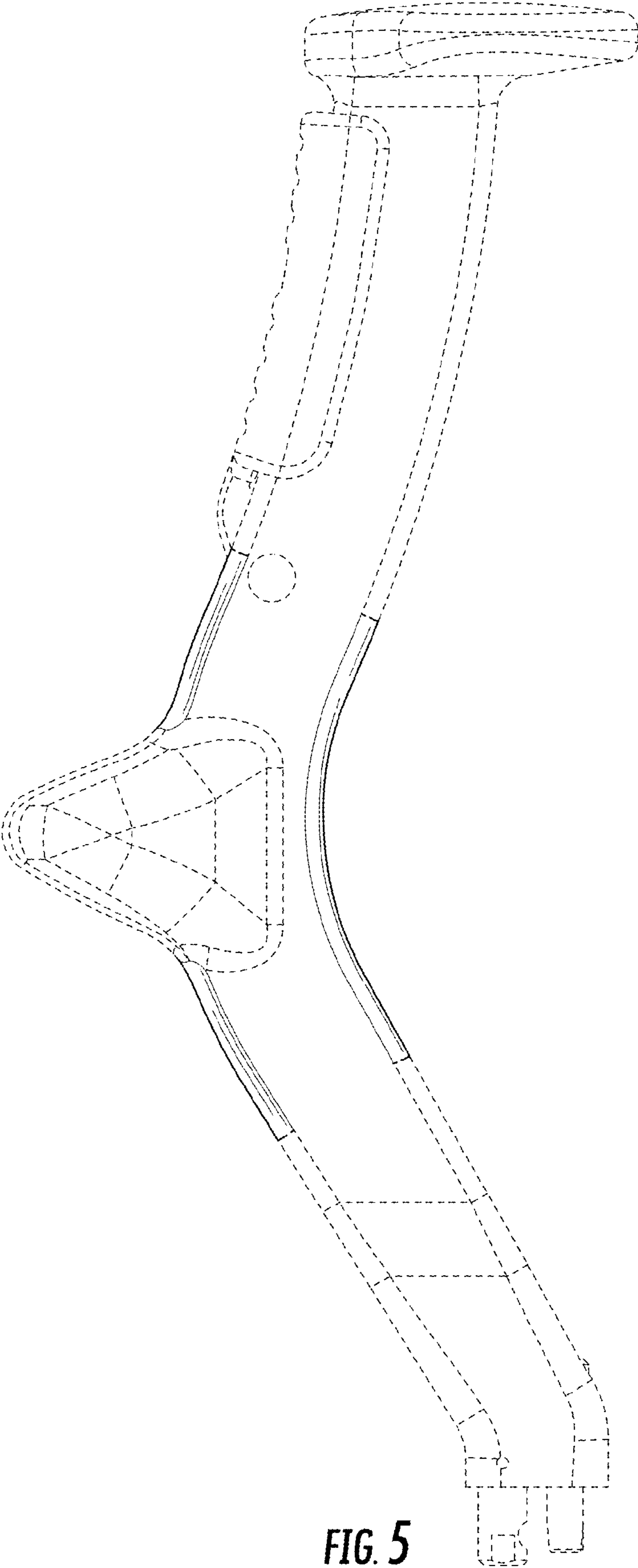


FIG. 5

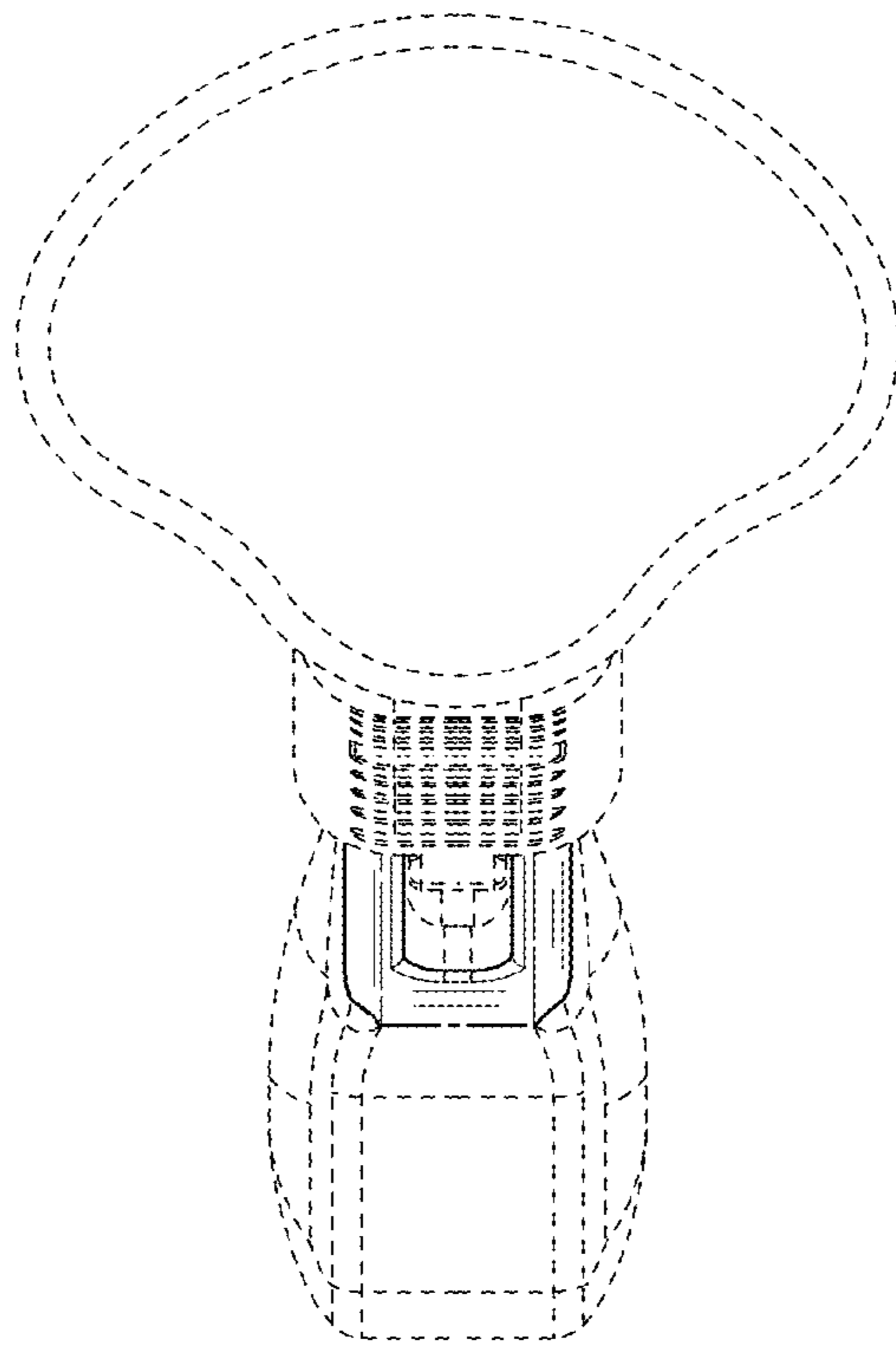


FIG. 6

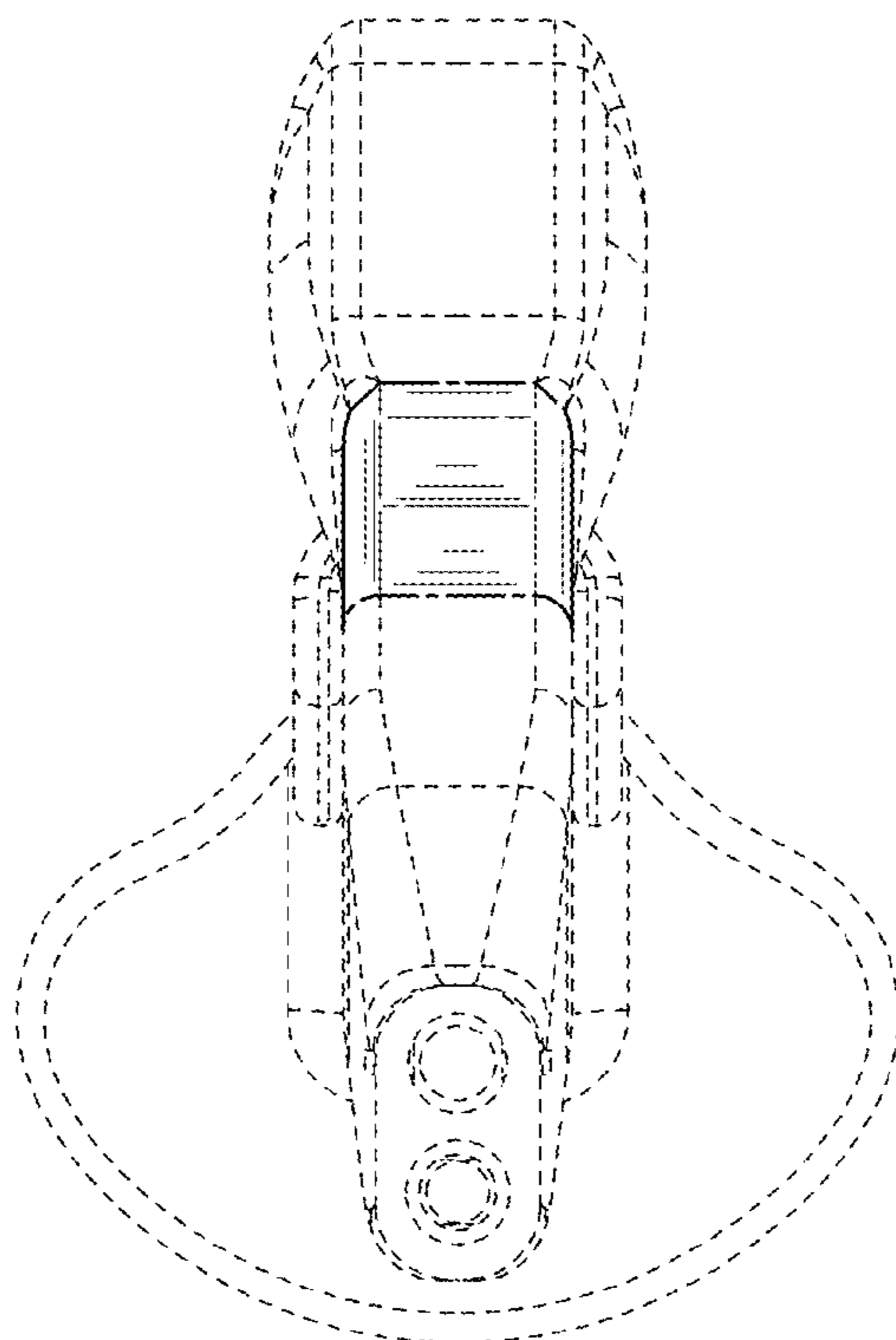


FIG. 7