



US00D925734S

(12) **United States Design Patent** (10) **Patent No.:** **US D925,734 S**
Park et al. (45) **Date of Patent:** **** Jul. 20, 2021**

(54) **INTRAVENOUS PRIMING CAP** 5,941,857 A * 8/1999 Nguyen A61M 5/3205
604/263
(71) Applicant: **CareFusion 303, Inc.**, San Diego, CA D435,653 S * 12/2000 Niedospial, Jr. D24/129
(US) 6,551,286 B1 4/2003 Claessens
6,719,737 B2 4/2004 Kobayashi
(72) Inventors: **Soon Park**, Cypress, CA (US); D665,497 S * 8/2012 Marshall D24/130
Siddarth K. Shevgoor, Mission Viejo, D667,951 S 9/2012 Marshall
CA (US); **Peter Ma**, Shanghai (CN); D669,579 S * 10/2012 Marshall D24/130
Jiagui Li, Shanghai (CN) D686,339 S * 7/2013 Shima D24/224
D687,563 S 8/2013 Tamura
(Continued)

(73) Assignee: **CareFusion 303, Inc.**, San Diego, CA (US) *Primary Examiner* — Nathan M Johnston
(74) *Attorney, Agent, or Firm* — Morgan, Lewis & Bockius LLP

(**) Term: **15 Years**

(21) Appl. No.: **29/744,152**

(22) Filed: **Jul. 27, 2020**

Related U.S. Application Data

(62) Division of application No. 29/662,072, filed on Aug. 31, 2018, now Pat. No. Des. 892,319.

(51) **LOC (13) Cl.** **24-02**

(52) **U.S. Cl.**
USPC **D24/129**

(58) **Field of Classification Search**
USPC D24/127–131, 112–114, 133, 186;
606/181, 185; 604/264, 523–528, 272,
604/187, 158, 164.01–164.11, 181, 184,
604/227; 600/101, 139, 143;
128/200.24, 207.14, 207.15
CPC A61M 39/20; A61M 5/1411; A61M 5/165;
A61M 5/16813; A61M 5/385; A61M
39/28; A61M 2005/1402; A61M 2205/584
See application file for complete search history.

(56) **References Cited**

U.S. PATENT DOCUMENTS

D299,865 S * 2/1989 Kamstrup-Larsen D24/130
D344,440 S * 2/1994 Oakley D8/311

Primary Examiner — Nathan M Johnston
(74) *Attorney, Agent, or Firm* — Morgan, Lewis & Bockius LLP

(57) **CLAIM**

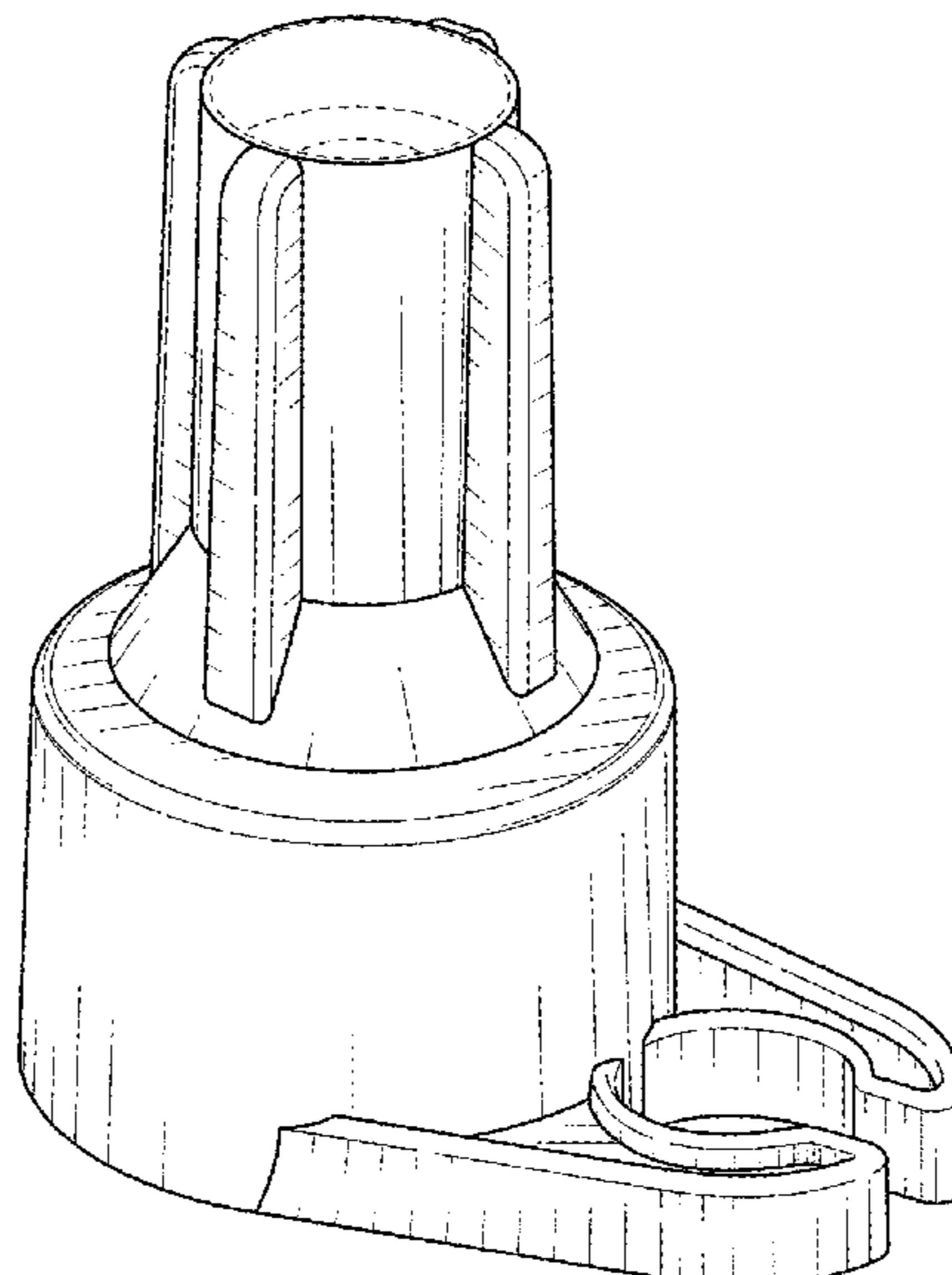
The ornamental design for an intravenous priming cap, as shown and described.

DESCRIPTION

FIG. 1 is a front, top perspective view of an intravenous priming cap showing our new design;
FIG. 2 is a right side elevation view of the intravenous priming cap of FIG. 1;
FIG. 3 is a left side elevation view of the intravenous priming cap of FIG. 1;
FIG. 4 is a rear elevation view of the intravenous priming cap of FIG. 1;
FIG. 5 is a front elevation view of the intravenous priming cap of FIG. 1;
FIG. 6 is a top plan view of the intravenous priming cap of FIG. 1; and,
FIG. 7 is a bottom plan view of the intravenous priming cap of FIG. 1.

The dashed lines immediately adjacent to the shaded areas in the figures represent the boundaries of the claimed design. The dashed lines in the figures illustrate the portions of the design that form no part of the claimed design. None of the broken lines form any part of the claimed design.

1 Claim, 3 Drawing Sheets



(56)

References Cited

U.S. PATENT DOCUMENTS

D693,467	S	11/2013	Doucette	
D720,452	S	12/2014	Jordan	
D738,494	S *	9/2015	Kashmirian	D24/127
D751,192	S	3/2016	She	
D760,893	S *	7/2016	Honda	D24/130
D768,850	S	10/2016	Rozwadowski	
D768,852	S	10/2016	Rozwadowski	
D777,317	S	1/2017	Soual	
D781,417	S	3/2017	Ingram	
D787,053	S	5/2017	Huang	
D787,669	S	5/2017	Huang	
D791,938	S	7/2017	Becker	
D792,584	S	7/2017	Ingram	
D792,586	S	7/2017	Becker	
D797,927	S	9/2017	Schuessler	
D799,032	S	10/2017	Becker	
D804,023	S	11/2017	Huang	
D804,660	S *	12/2017	Shoji	D24/129
D805,193	S	12/2017	Shoji	
D814,025	S *	3/2018	Zumbrum	D24/129
D825,749	S	8/2018	Huang	
D834,187	S *	11/2018	Ryan	A61M 39/20 D24/130
D852,356	S	6/2019	Steele	
D911,518	S *	2/2021	Shi	D24/130
2003/0078548	A1	4/2003	Kobayashi	
2014/0188046	A1	7/2014	DiBiasi	
2014/0265319	A1	9/2014	Clark	
2017/0021110	A1	1/2017	Srinivasan	

* cited by examiner

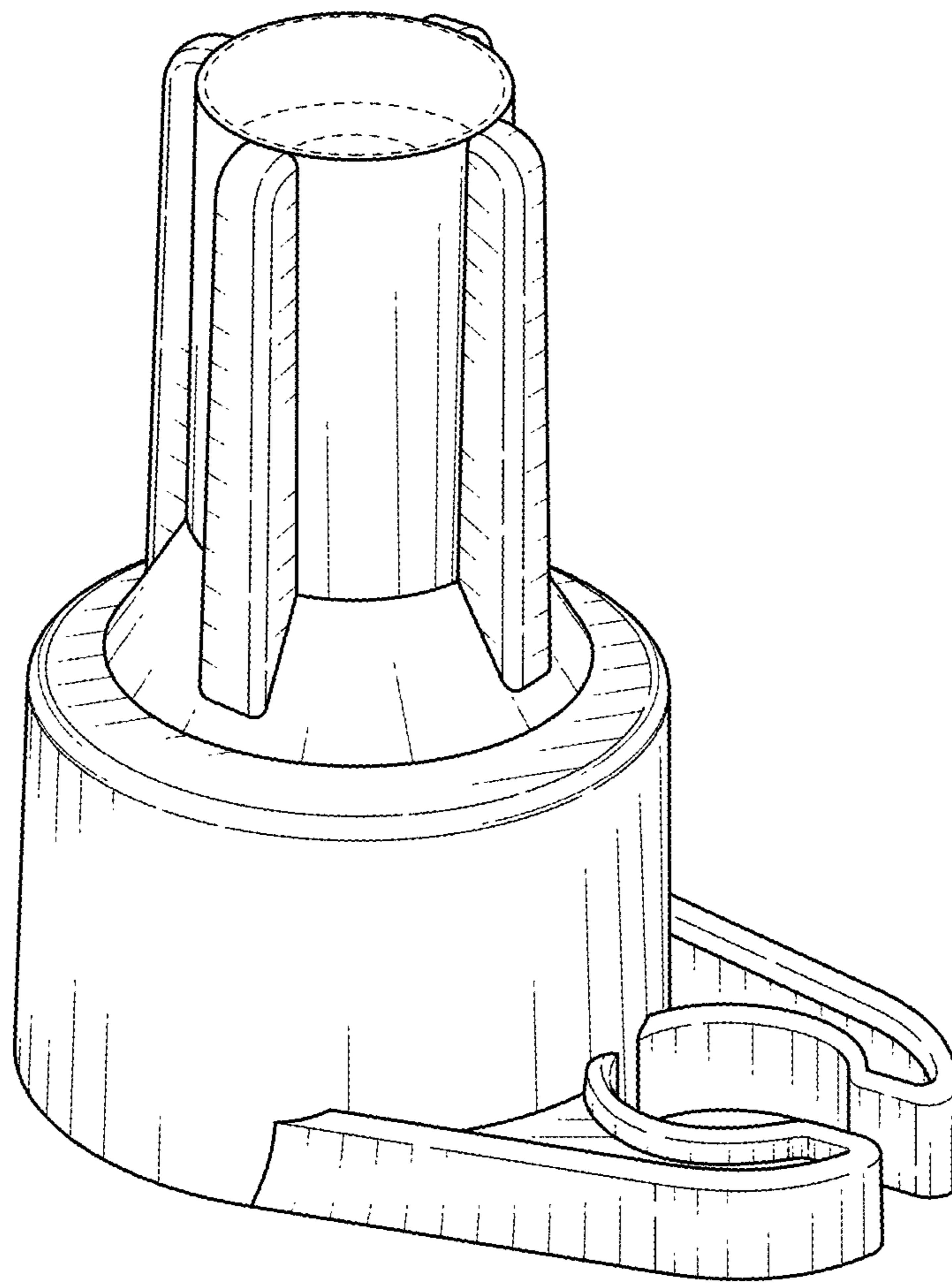


FIG. 1

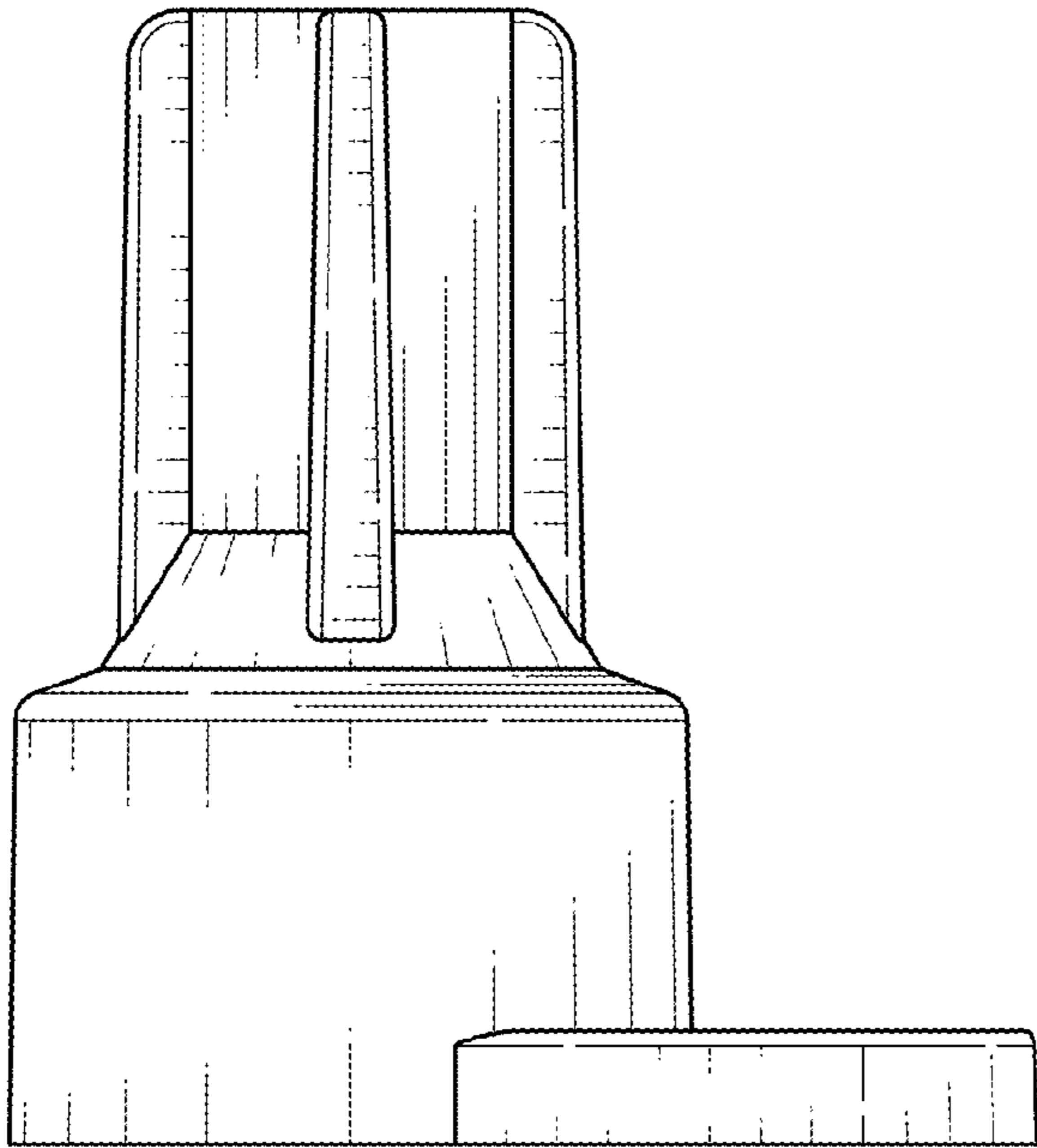


FIG. 2

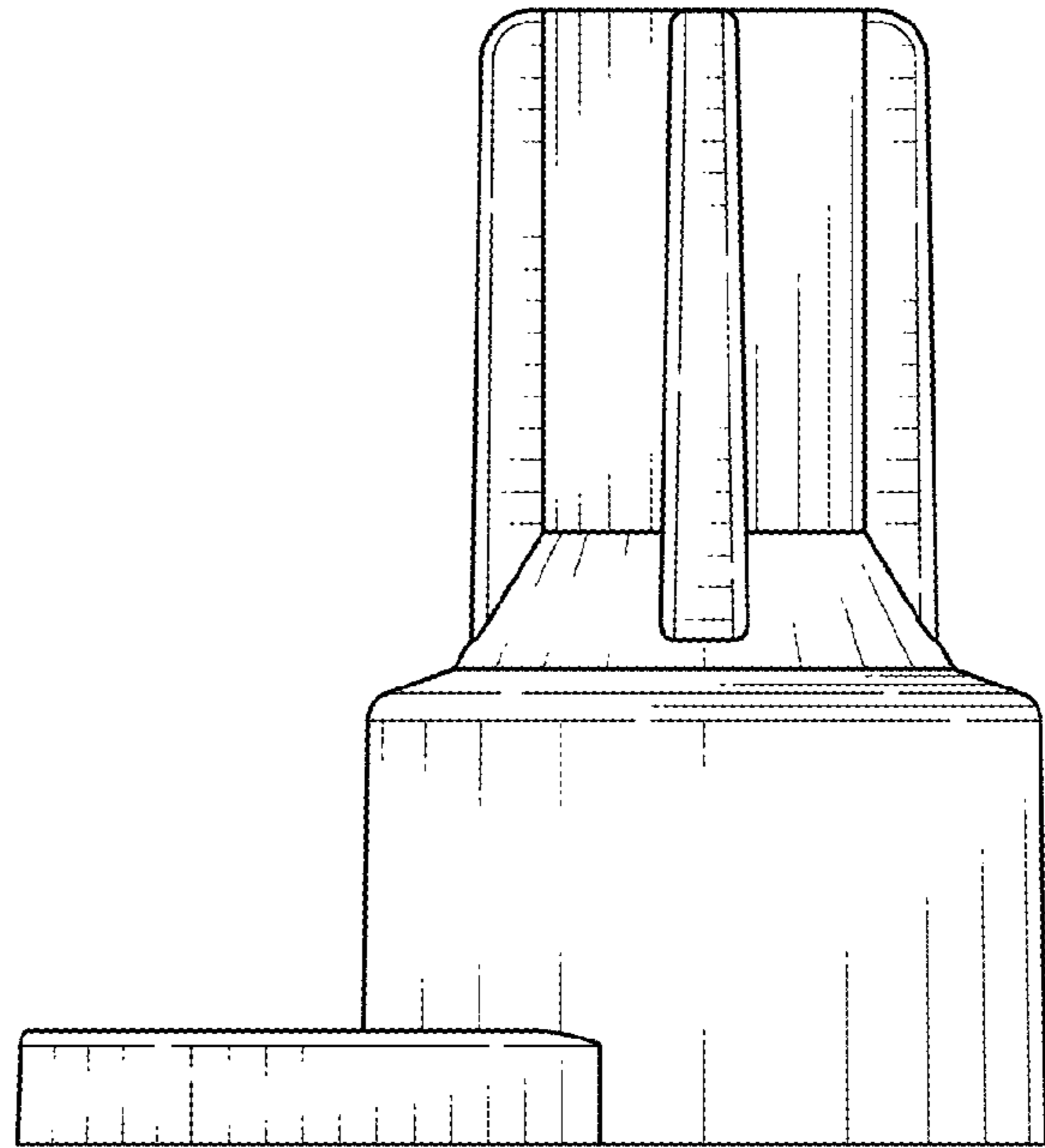


FIG. 3

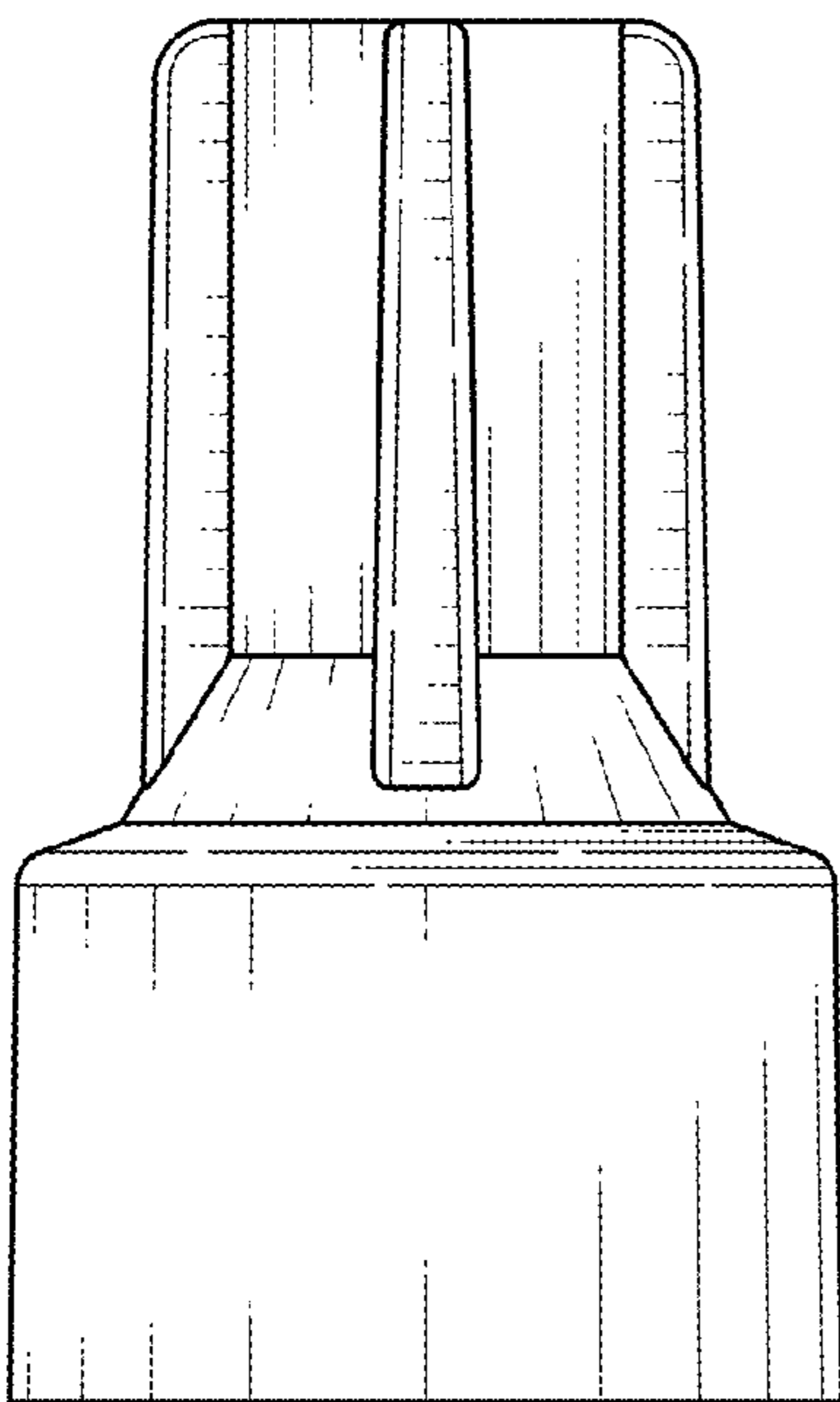


FIG. 4

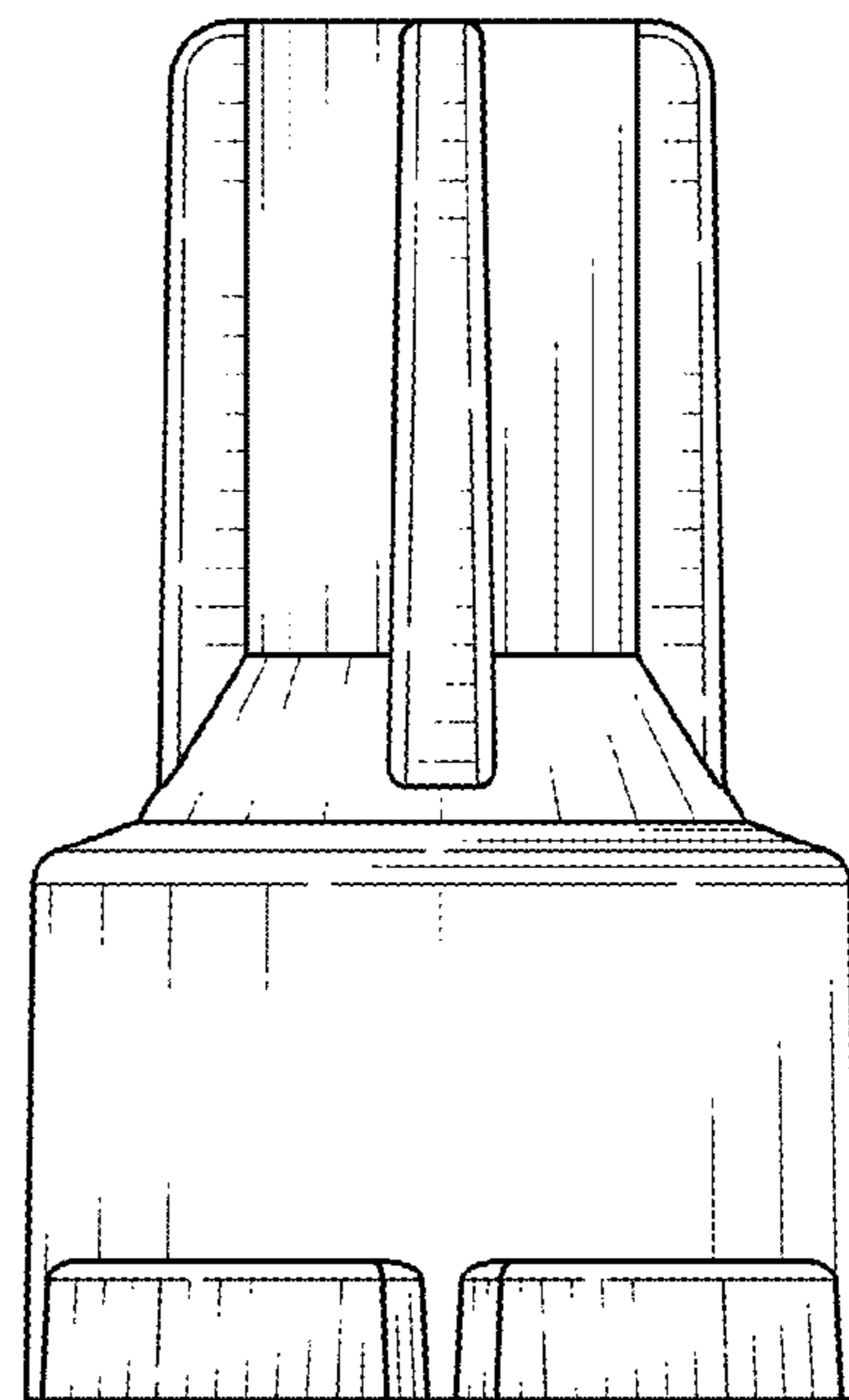


FIG. 5

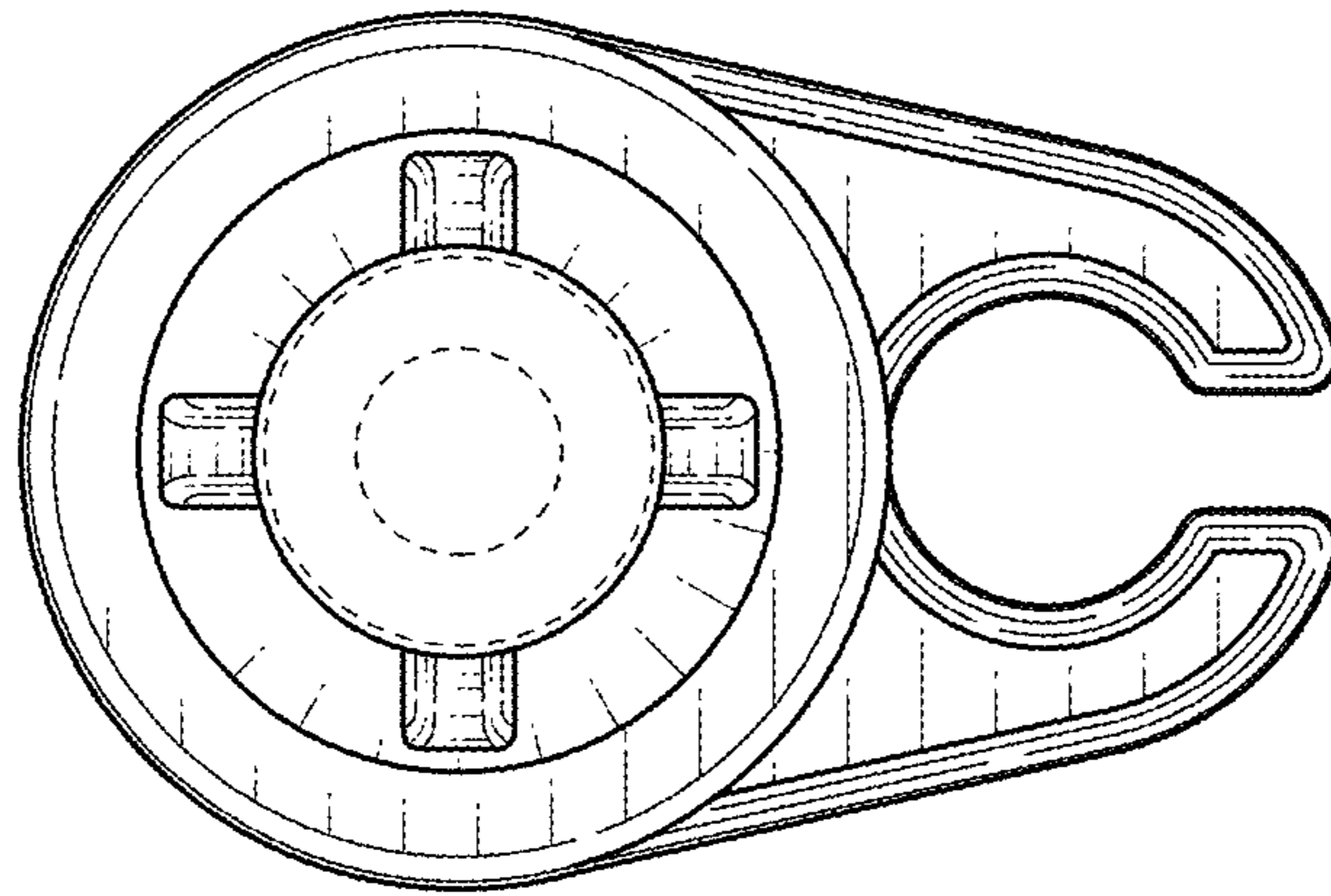


FIG. 6

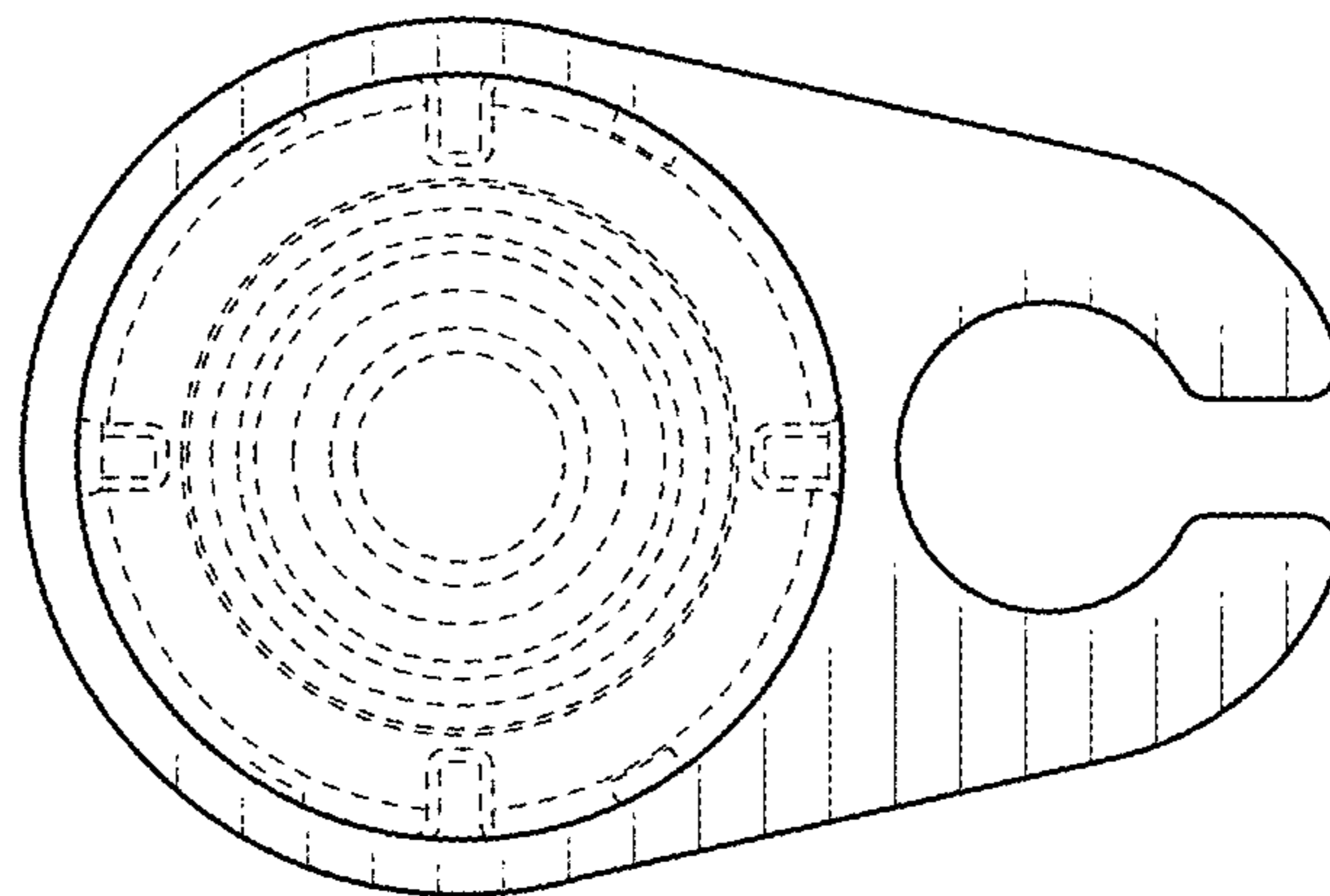


FIG. 7