



US00D925733S

(12) **United States Design Patent**
Doubet et al.

(10) **Patent No.:** **US D925,733 S**
(45) **Date of Patent:** **** Jul. 20, 2021**

(54) **SYRINGE ADAPTER FOR MEDICATION**

(71) Applicants: **James T. Doubet**, Parker, CO (US);
Paul D. Doubet, Farmington, IL (US)

(72) Inventors: **James T. Doubet**, Parker, CO (US);
Paul D. Doubet, Farmington, IL (US)

(**) Term: **15 Years**

(21) Appl. No.: **29/731,856**

(22) Filed: **Apr. 18, 2020**

Related U.S. Application Data

(63) Continuation of application No. 16/563,896, filed on Sep. 8, 2019, and a continuation of application No. 16/166,111, filed on Oct. 21, 2018, said application No. 16/563,896 is a continuation-in-part of application No. 16/166,111, which is a continuation-in-part of application No. 16/010,155, filed on Jun. 15, 2018.

(51) **LOC (13) Cl.** **24-02**

(52) **U.S. Cl.**
USPC **D24/129**

(58) **Field of Classification Search**
USPC D24/127-131, 112-114, 133, 186;
606/181, 185; 604/264, 523-528, 272,
604/187, 158, 164.01-164.11, 181, 184,
604/227; 600/101, 139, 143;
128/200.24, 207.14, 207.15
CPC A61J 1/2096; A61J 1/2048; A61J 1/1487;
A61D 7/00; A61M 5/00
See application file for complete search history.

(56) **References Cited**

U.S. PATENT DOCUMENTS

D297,262 S * 8/1988 Sternweiler D24/112
D297,365 S * 8/1988 Barnett D24/114
4,852,584 A * 8/1989 Selby B01L 3/00
600/573

D310,722 S * 9/1990 Broden D24/112
D320,082 S * 9/1991 Wyatt D24/129
D338,531 S * 8/1993 Howell D24/193
D382,639 S * 8/1997 Musgrave D24/108

(Continued)

Primary Examiner — Nathan M Johnston

(74) *Attorney, Agent, or Firm* — Marcia L. Doubet

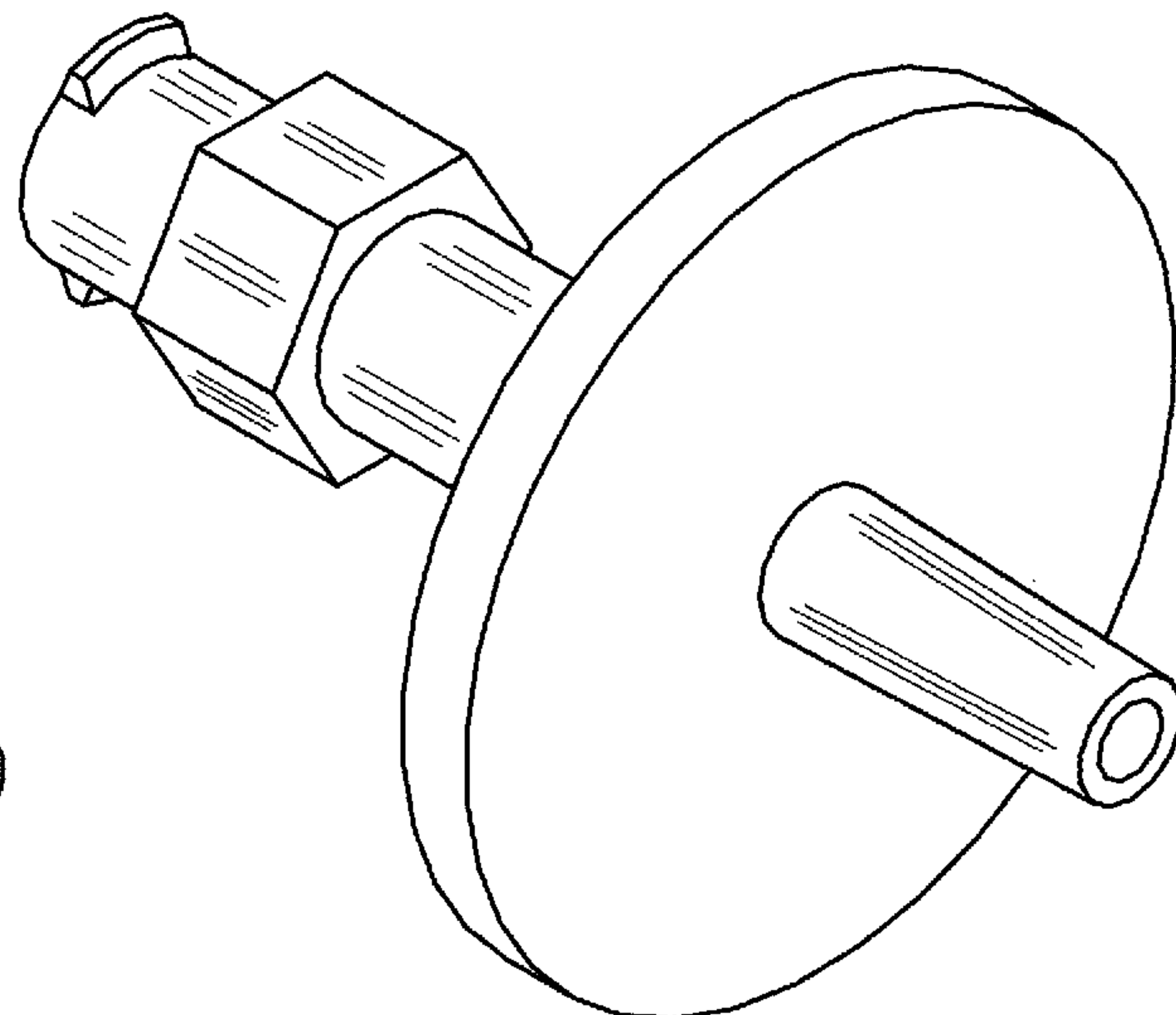
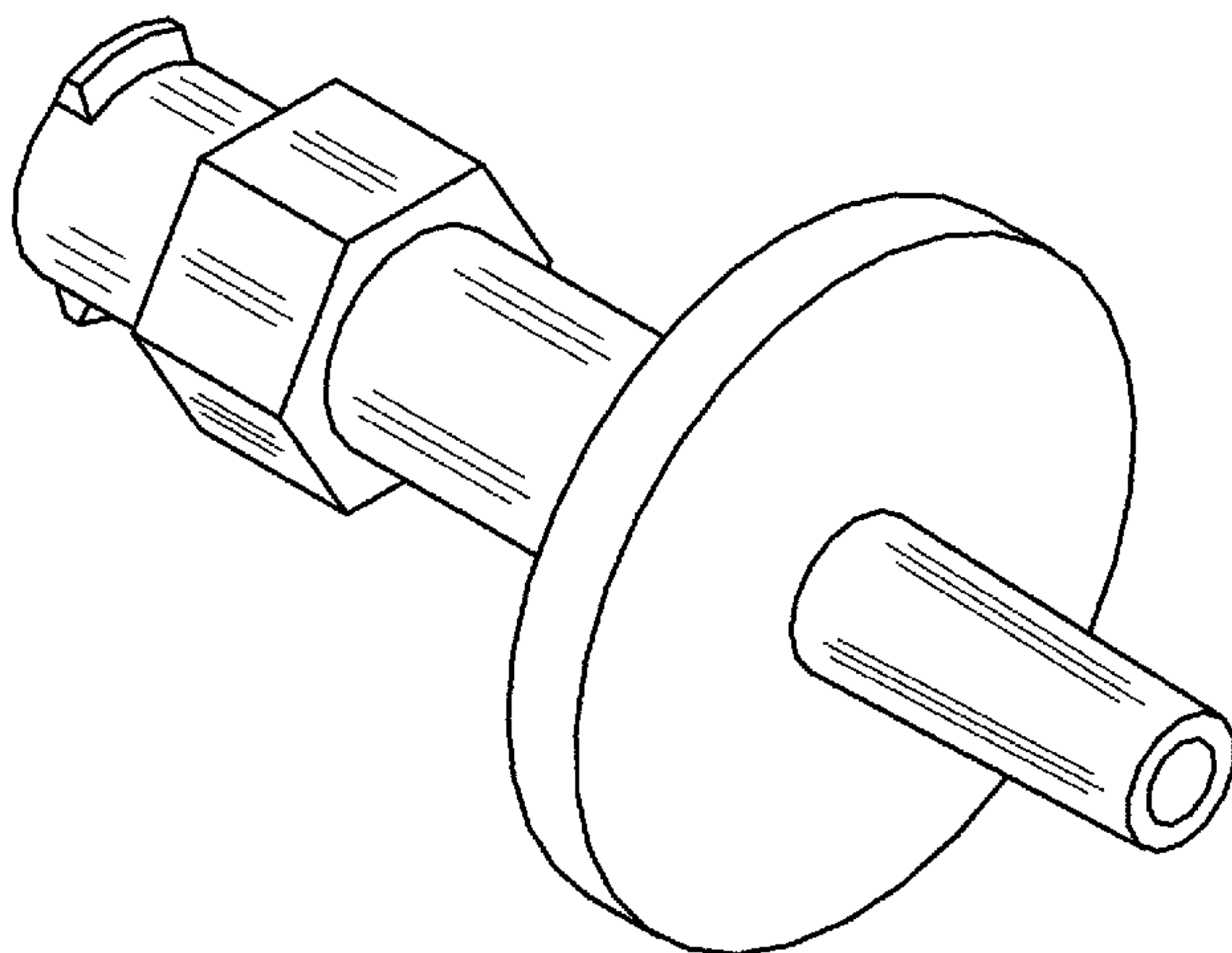
(57) **CLAIM**

We claim the ornamental design for a syringe adapter for medication, as shown and described.

DESCRIPTION

FIG. 1 is a front perspective view of a syringe adapter, showing a first embodiment of our new design having a radial extension and a hexagonal element;
FIG. 2 is a rear perspective view thereof;
FIG. 3 is a front view thereof, the back view being identical thereto;
FIG. 4 is a cross-sectional view thereof, taken along line 4-4 in FIG. 3;
FIG. 5 is a top view thereof, the bottom view being identical thereto;
FIG. 6 is a left-side view thereof;
FIG. 7 is a right-side view thereof;
FIG. 8 is a front perspective view of a syringe adapter, showing second embodiment of our new design having a radial extension with a different diameter and a hexagonal element;
FIG. 9 is a rear perspective view thereof;
FIG. 10 is a front view thereof, the back view being identical thereto;
FIG. 11 is a cross-sectional view thereof, taken along line 11-11 in FIG. 10;
FIG. 12 is a top view thereof, the bottom view being identical thereto;
FIG. 13 is a left-side view thereof; and,
FIG. 14 is a right-side view thereof.

1 Claim, 7 Drawing Sheets



(56)

References Cited

U.S. PATENT DOCUMENTS

D435,652	S	*	12/2000	Nazarifar	D23/262
D473,646	S	*	4/2003	Baillargeon	D24/129
D484,593	S	*	12/2003	Baillargeon	D24/129
D529,603	S	*	10/2006	Knickerbocker	D24/110
D617,429	S	*	6/2010	Govoni	D23/262
D671,639	S	*	11/2012	Trifilio	D24/128
D672,052	S	*	12/2012	Bucher	D24/224
D693,923	S	*	11/2013	Hernandez	D24/129
D709,187	S	*	7/2014	Li	A61M 39/12 D24/129
8,961,490	B2	*	2/2015	Musani	A61B 17/3496 604/415
D731,065	S	*	6/2015	Winter	D24/162
D739,523	S	*	9/2015	Booth	D24/110
D773,659	S	*	12/2016	Cain	D24/129
D811,586	S	*	2/2018	Bureau	D24/112
D825,737	S	*	8/2018	Yokoyama	D24/108
D831,202	S	*	10/2018	Ratner	D24/129
D851,240	S	*	6/2019	Baid	A61M 5/1411 D24/112
D873,997	S	*	1/2020	Ljunglof	D24/130
2002/0099360	A1	*	7/2002	Bierman	A61M 39/10 604/523

* cited by examiner

FIG. 1

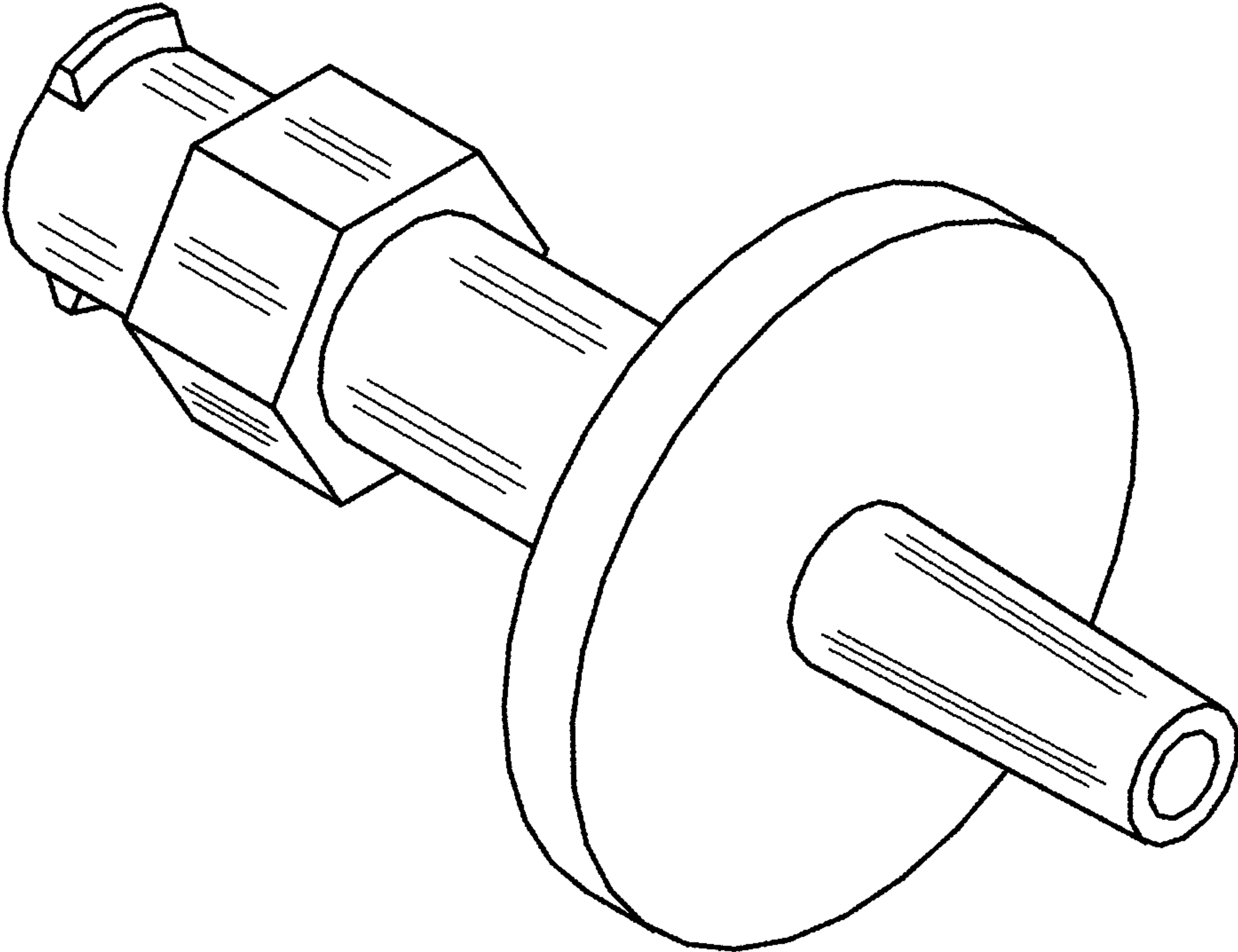


FIG. 2

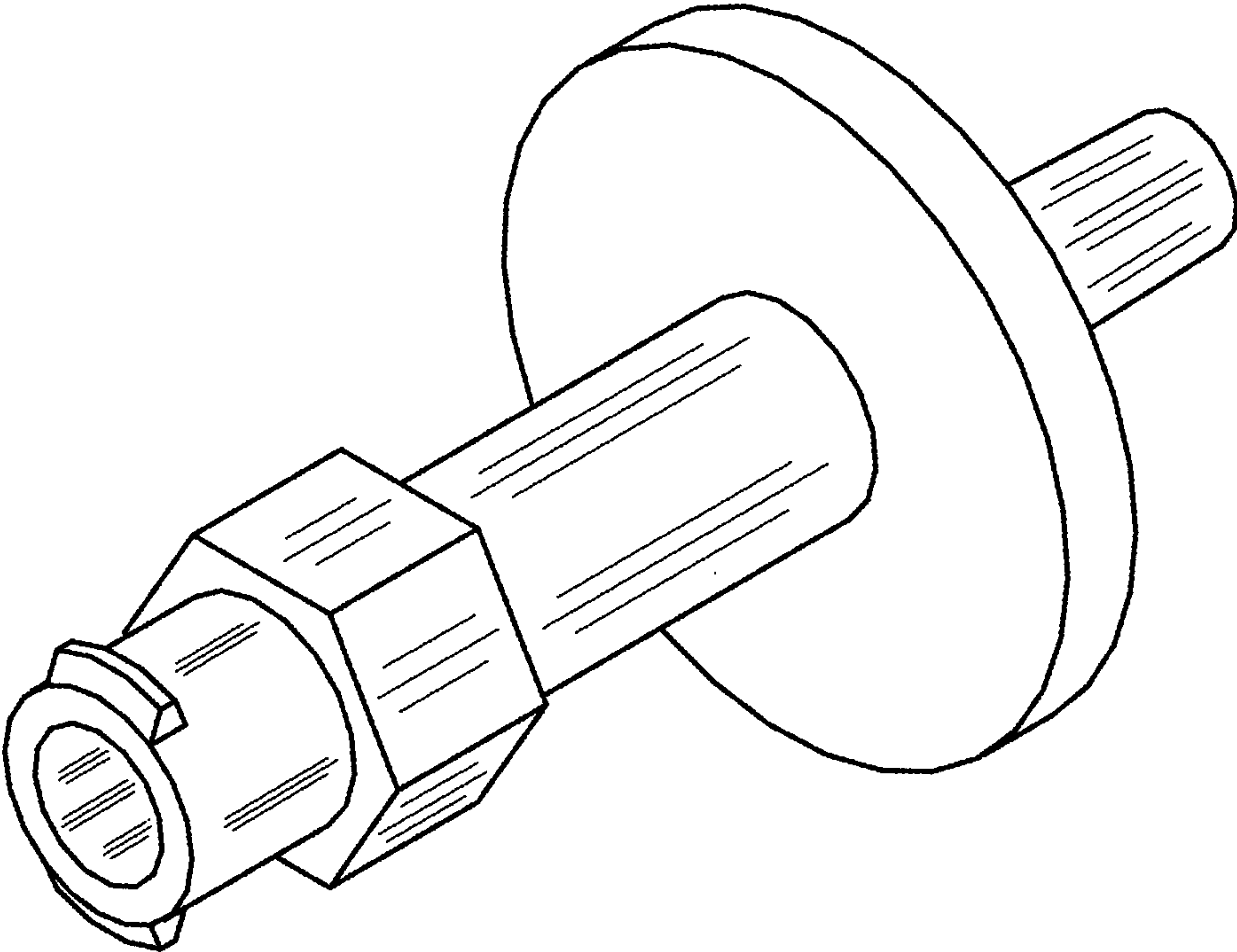


FIG. 3

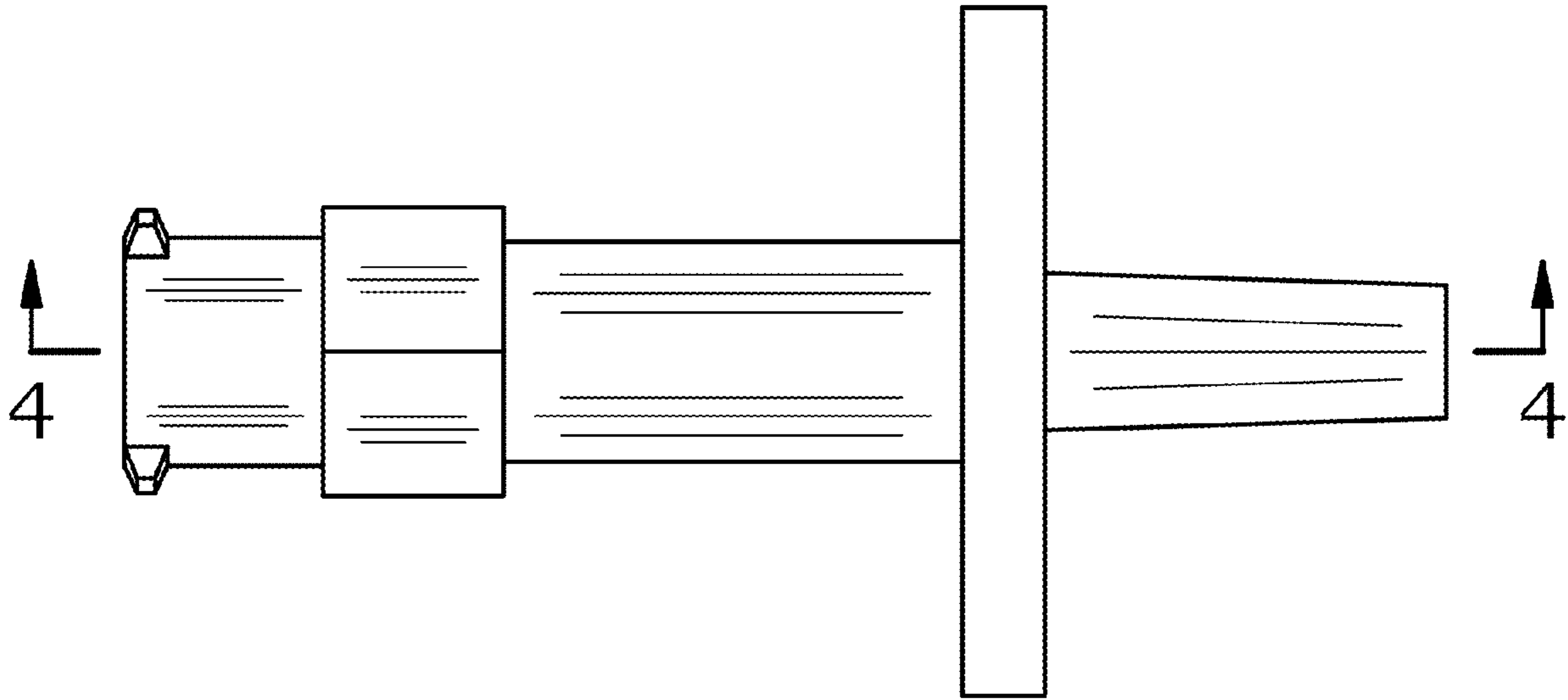


FIG. 4

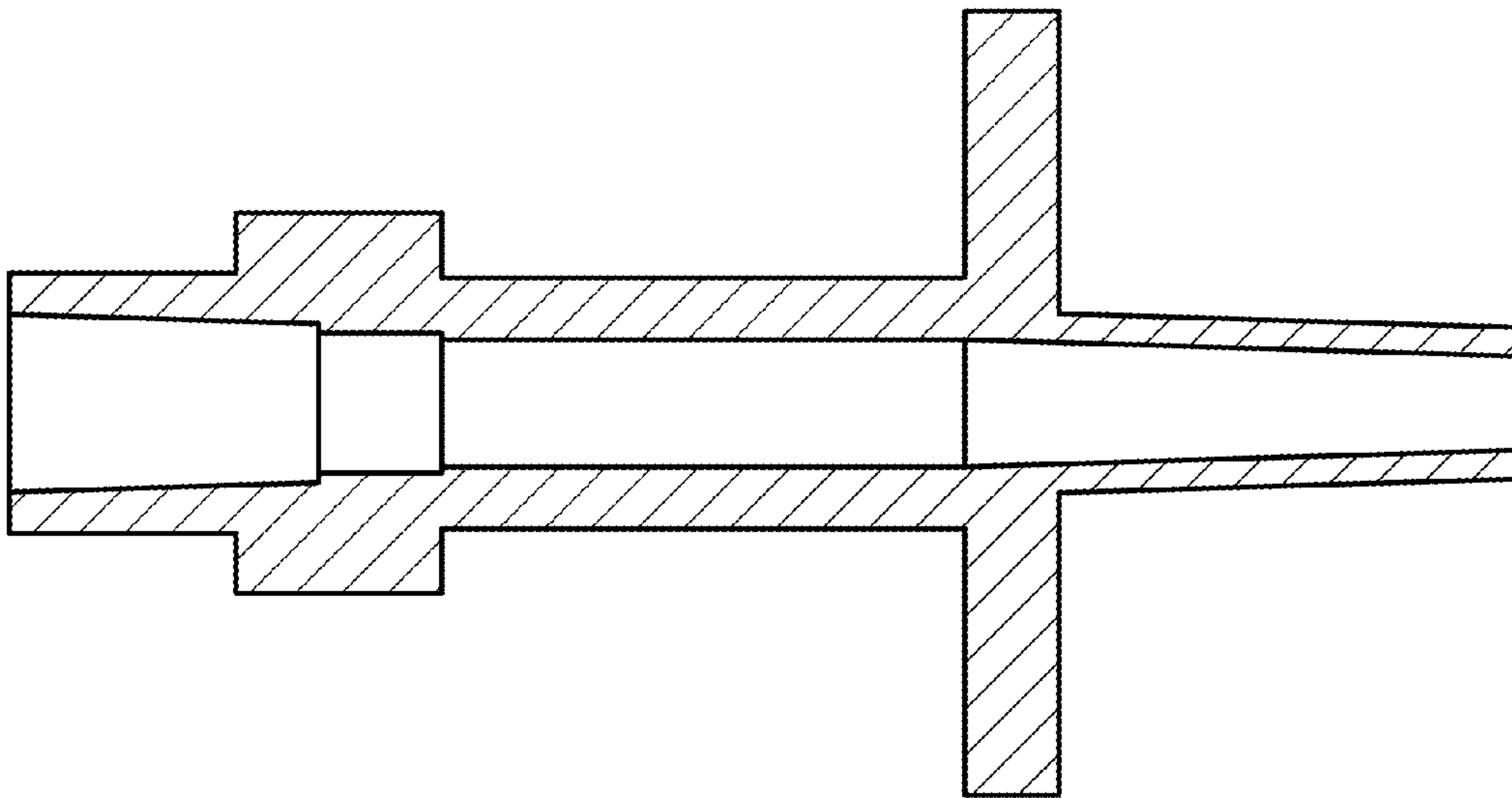


FIG. 5

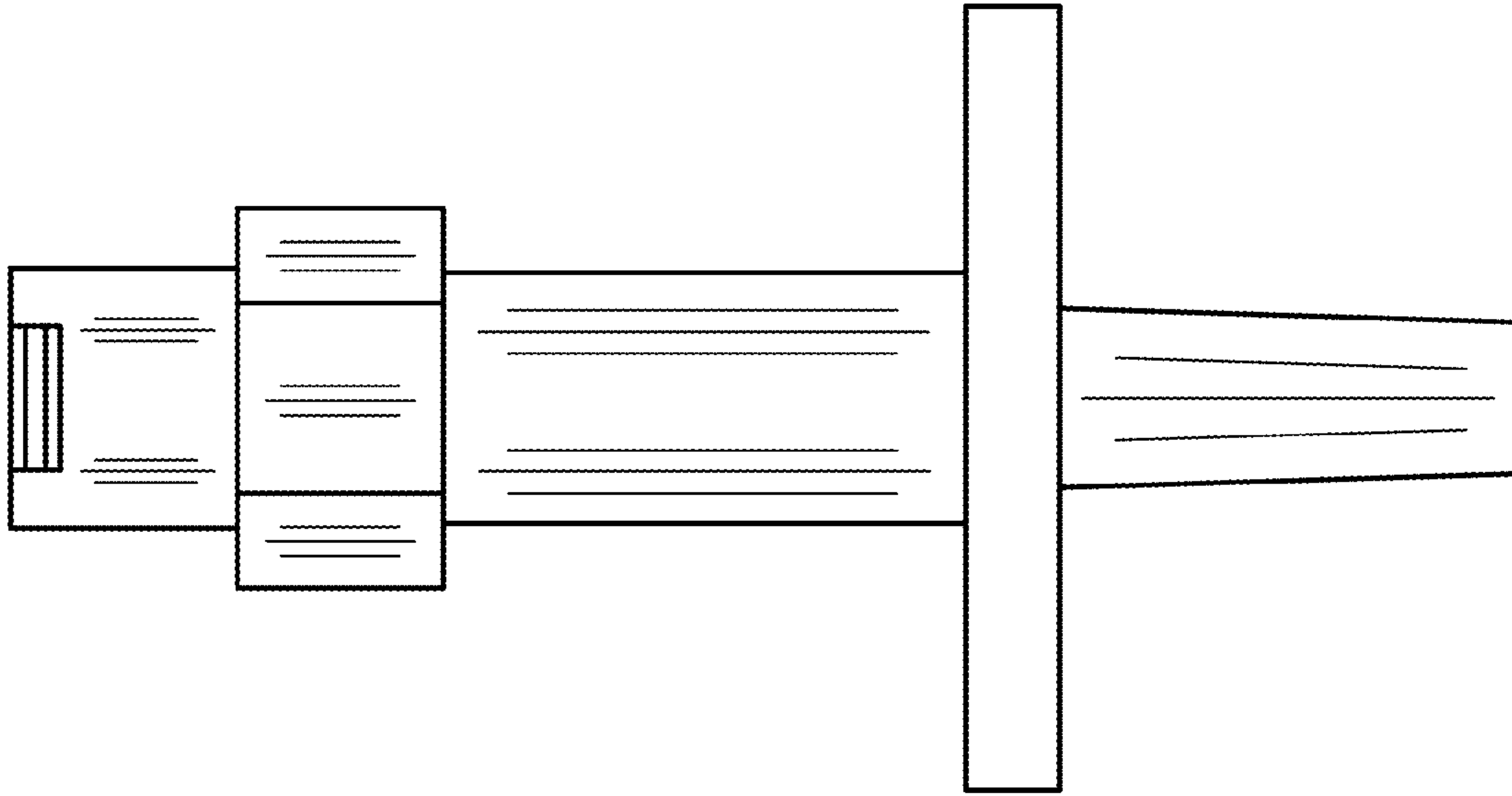


FIG. 6

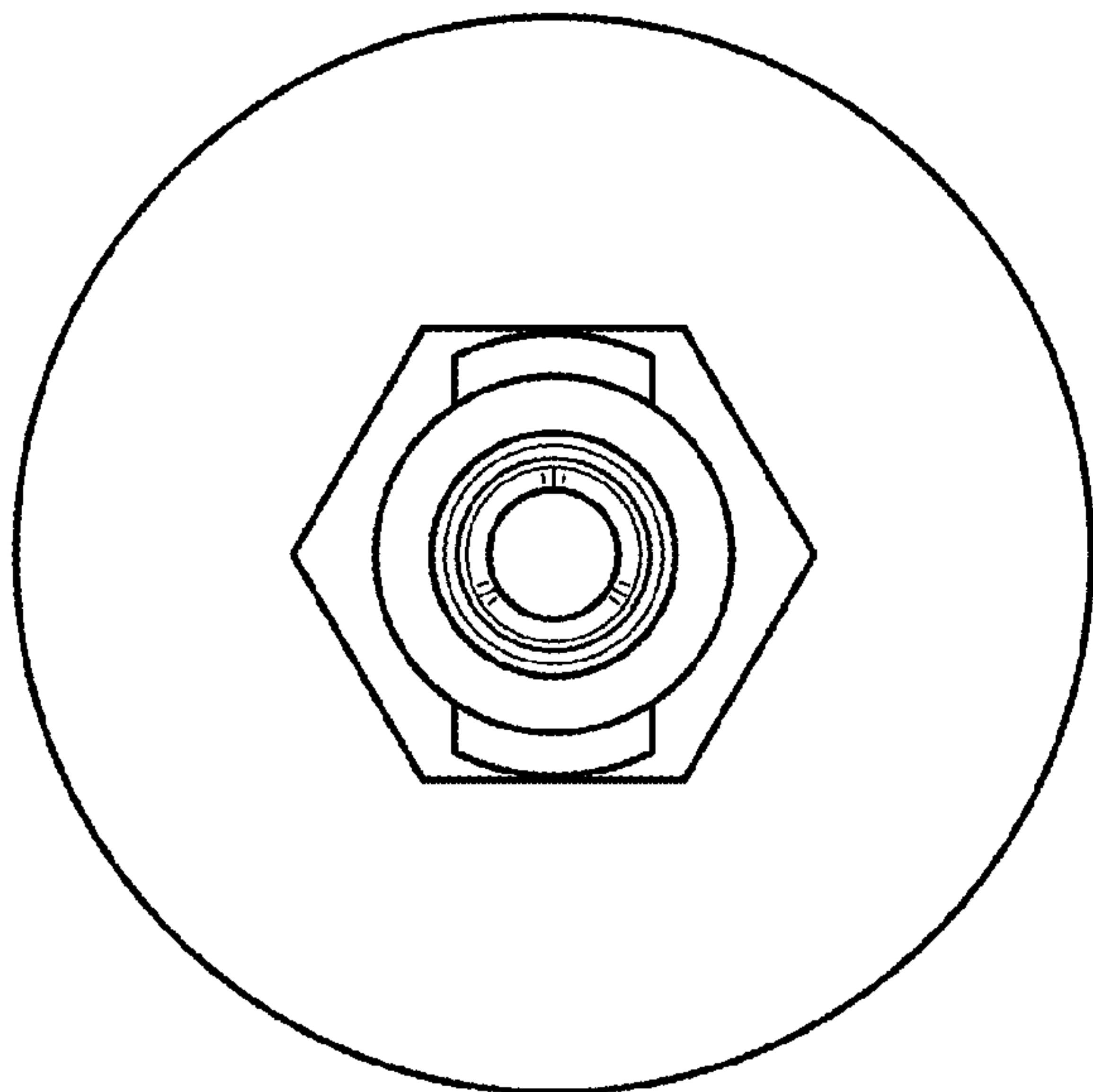


FIG. 7

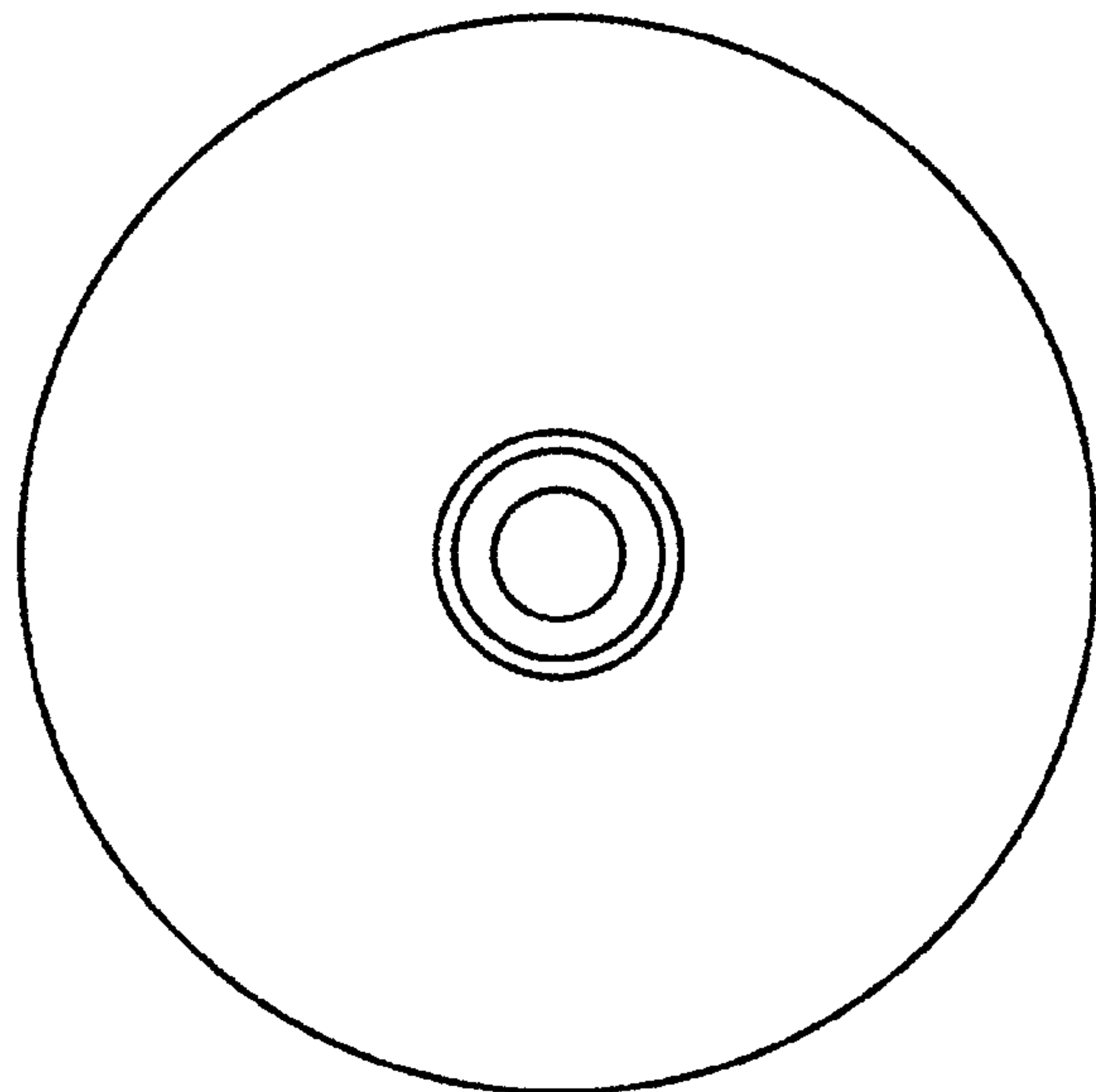


FIG. 8

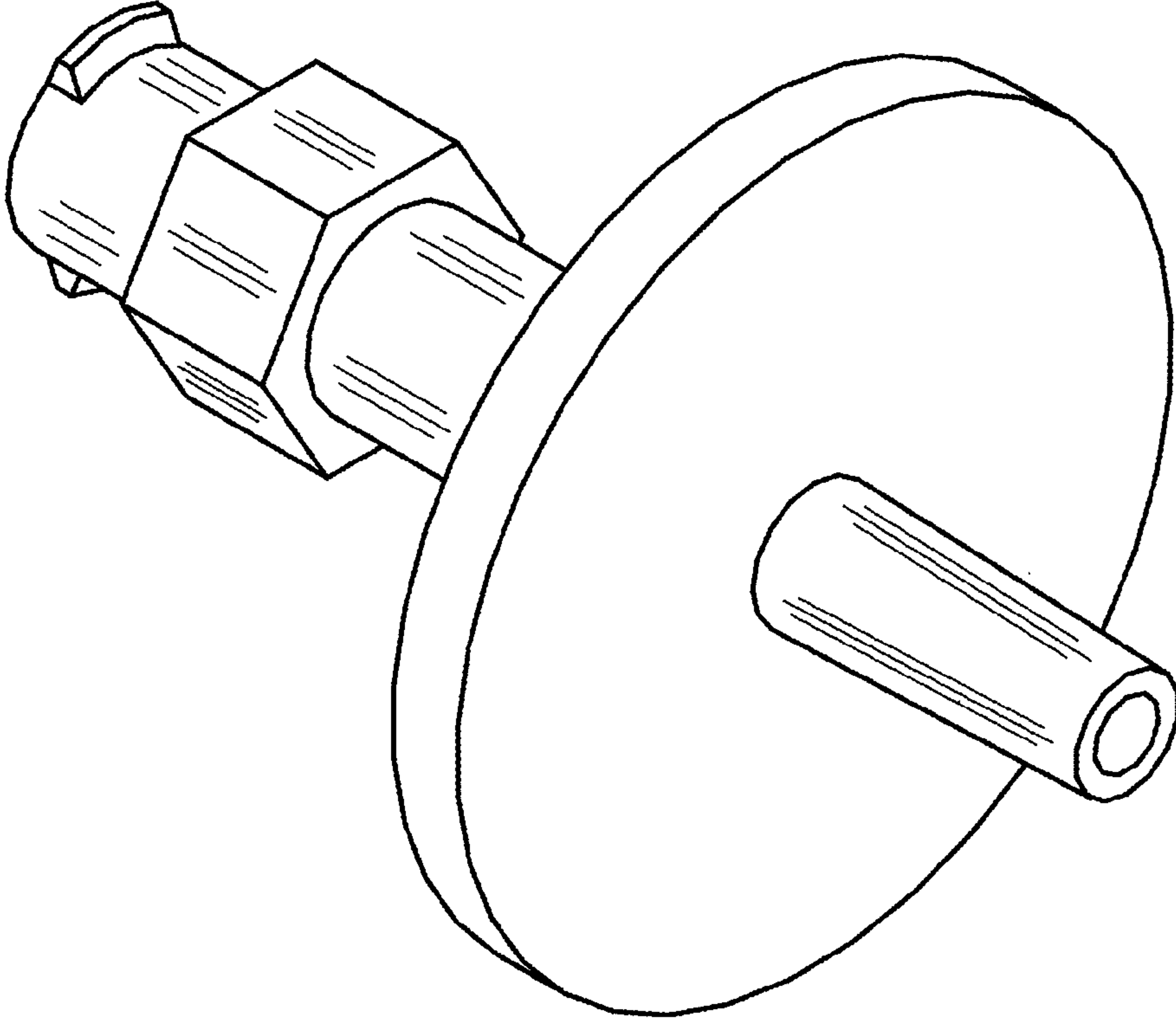


FIG. 9

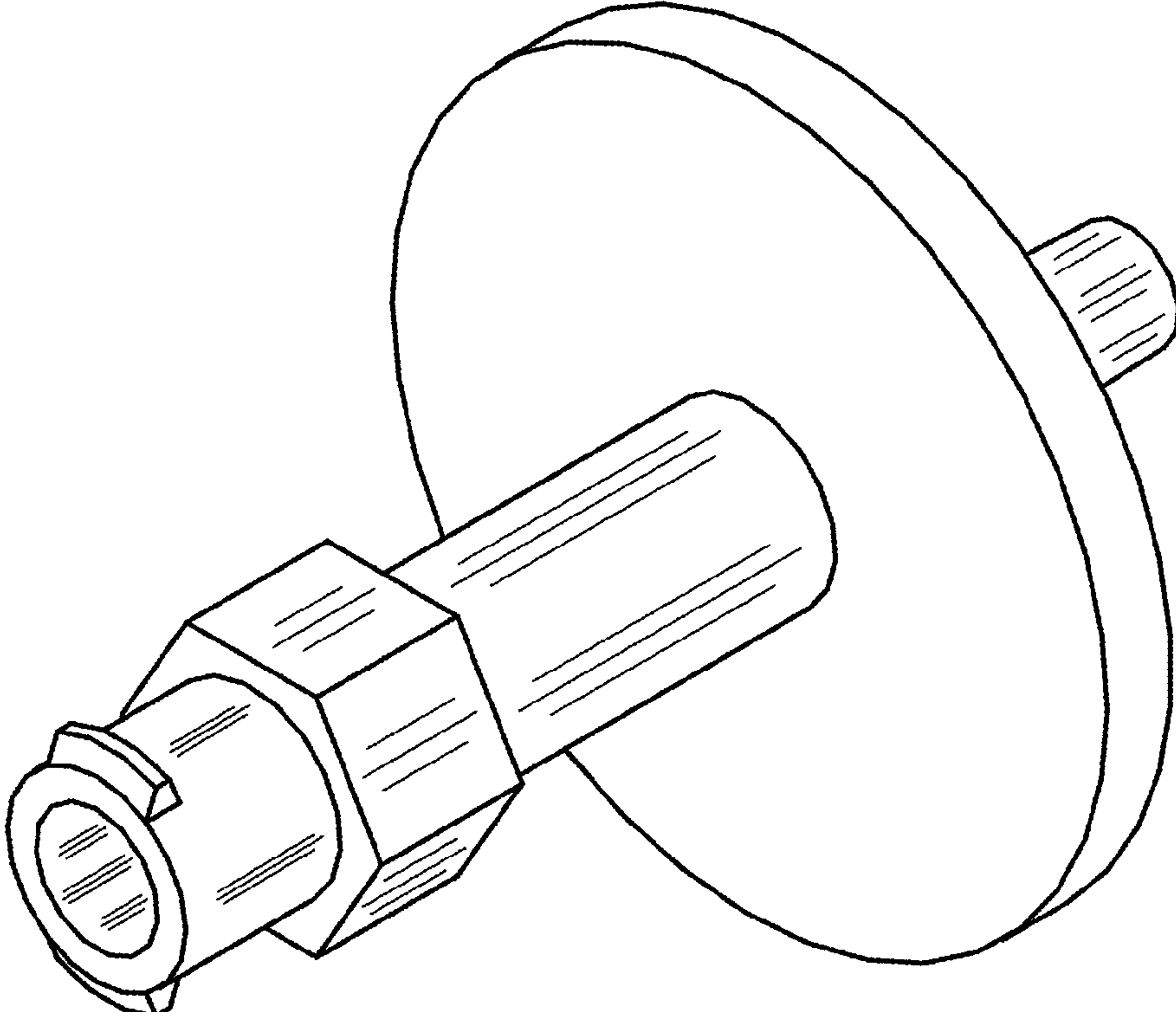


FIG. 10

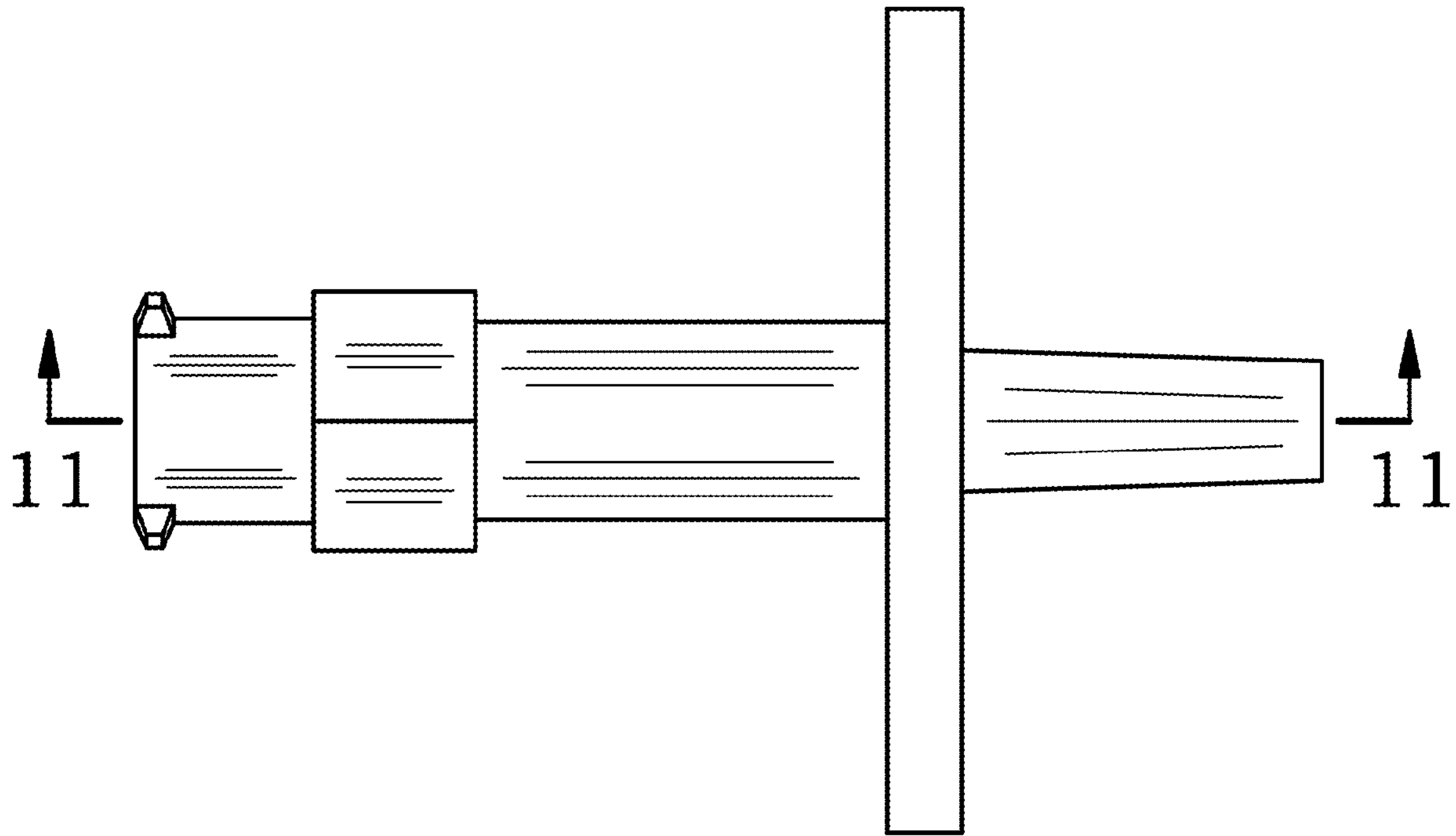


FIG. 11

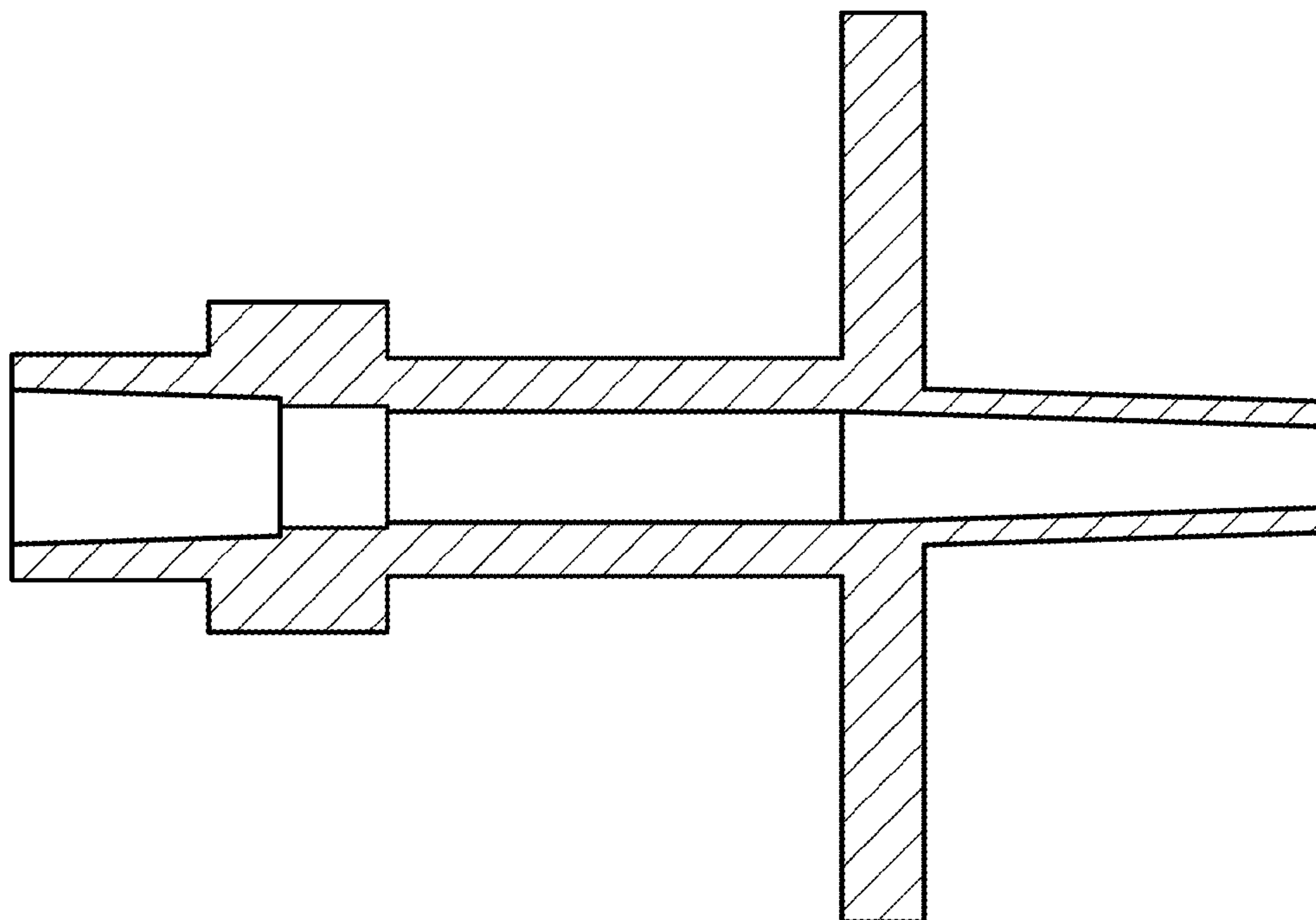


FIG. 12

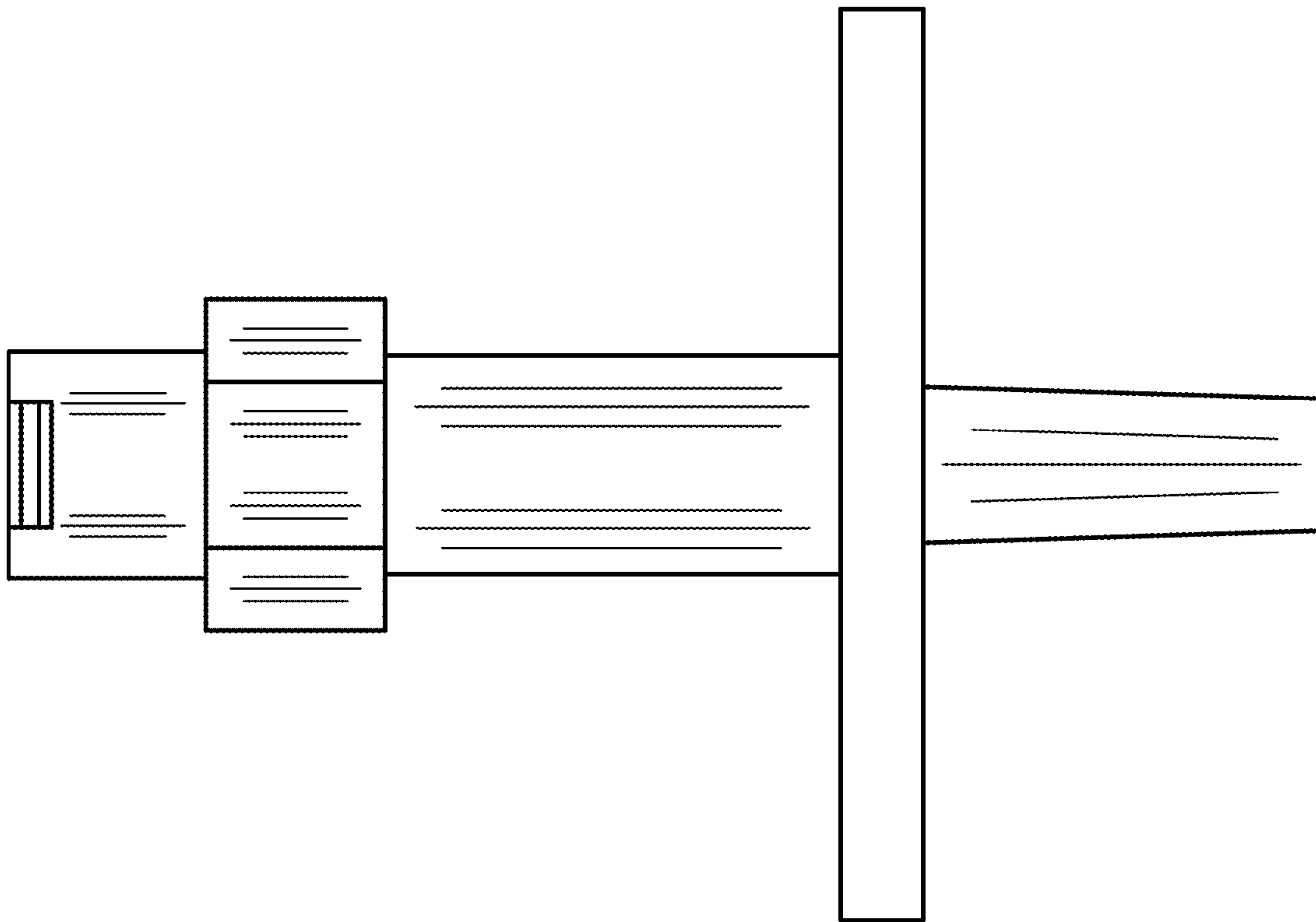


FIG. 13

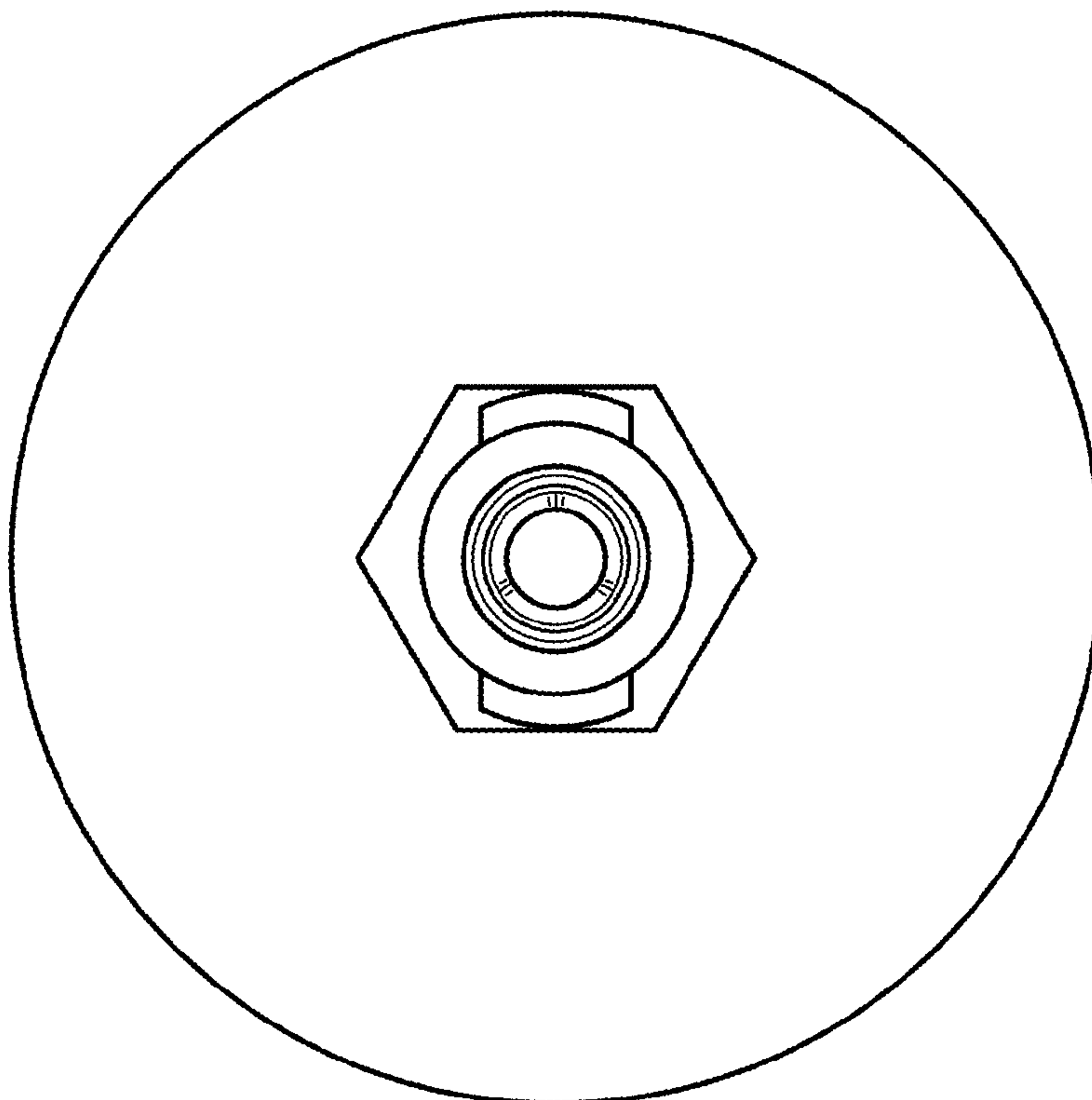


FIG. 14

