



US00D925732S

(12) **United States Design Patent**
Toth

(10) **Patent No.:** **US D925,732 S**
(45) **Date of Patent:** **** Jul. 20, 2021**

- (54) **CAP**
- (71) Applicant: **Robert Toth**, Orefield, PA (US)
- (72) Inventor: **Robert Toth**, Orefield, PA (US)
- (**) Term: **15 Years**
- (21) Appl. No.: **29/655,082**
- (22) Filed: **Jun. 29, 2018**
- (51) **LOC (13) Cl.** **24-01**
- (52) **U.S. Cl.**
USPC **D24/129**
- (58) **Field of Classification Search**
USPC D24/112-114, 108, 133, 127-130, 186,
D24/189, 190, 155, 131
CPC A61M 25/01; A61M 25/002; A61M
25/0113; A61M 25/0111; A61M 39/06;
A61M 25/0043; A61M 25/0067; A61M
27/00; A61B 17/1325; A61B 17/135
See application file for complete search history.

D834,187 S *	11/2018	Ryan	A61M 39/20
				D24/130
D847,984 S *	5/2019	Steele	D24/129
D851,242 S *	6/2019	Khanicheh	D24/128
D867,587 S *	11/2019	Holtz	D24/129
10,463,833 B2 *	11/2019	Clarke	A61L 29/14
D881,389 S *	4/2020	Wang	D24/129
D882,076 S *	4/2020	Gavalis	D24/129
D884,886 S *	5/2020	Kangastupa	D24/129
D892,318 S *	8/2020	Kubon	D24/129
D892,319 S *	8/2020	Park	D24/129
D892,321 S *	8/2020	Newton	D24/130

* cited by examiner

Primary Examiner — Lilyana Bekic
Assistant Examiner — Mary Shannon Malley
(74) *Attorney, Agent, or Firm* — Caesar Rivise, PC

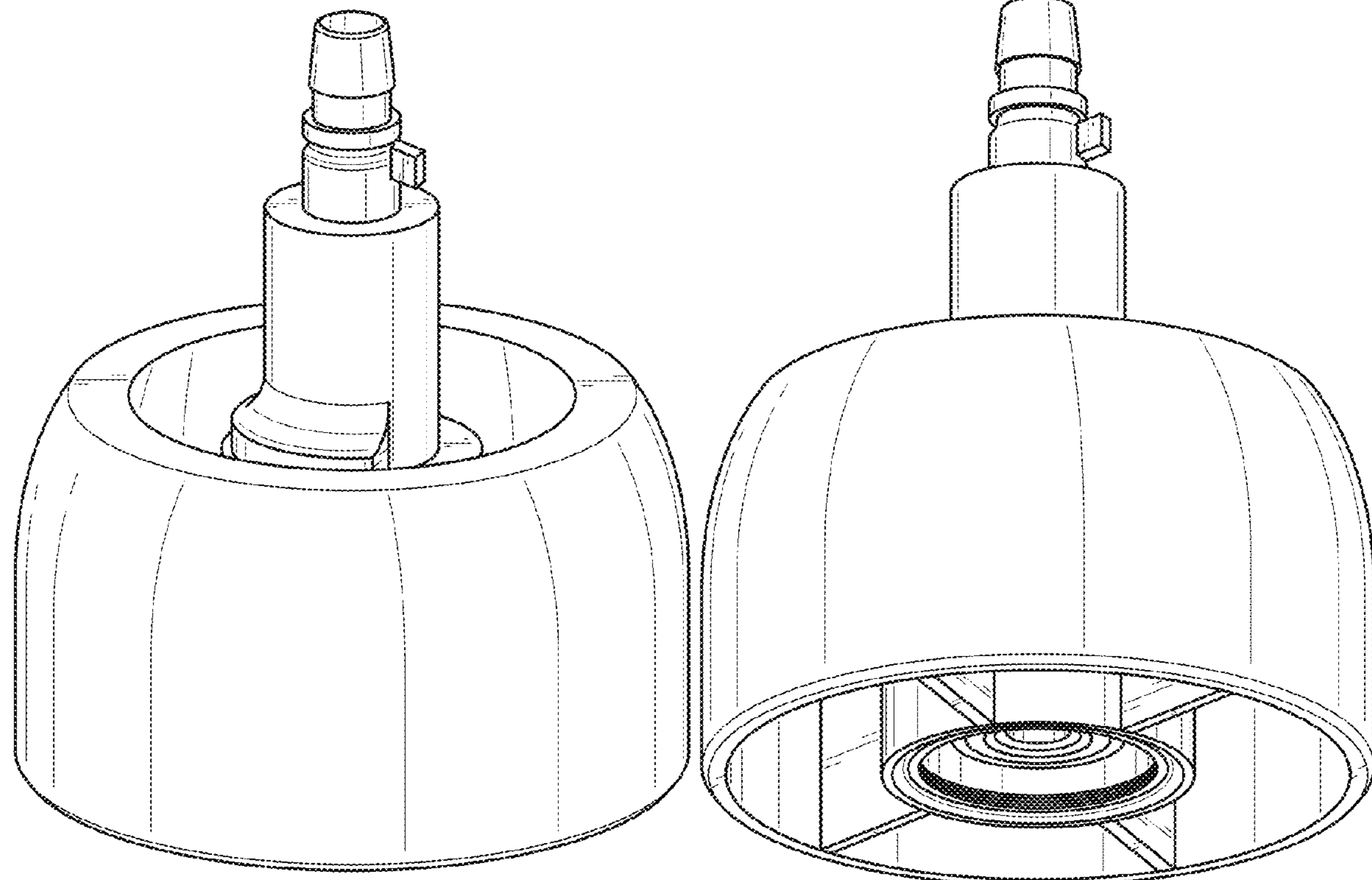
(57) **CLAIM**

The ornamental design for a cap, as shown and described.

DESCRIPTION

FIG. 1 is a top perspective view of a cap showing my new design;
FIG. 2 is a bottom perspective view thereof;
FIG. 3 is a front elevational view thereof;
FIG. 4 is a rear elevational view thereof;
FIG. 5 is a left side elevational view thereof; and,
FIG. 6 is a right side elevational view thereof.
The features shown in broken lines depict portions of the cap that form no part of the claimed design.

1 Claim, 3 Drawing Sheets



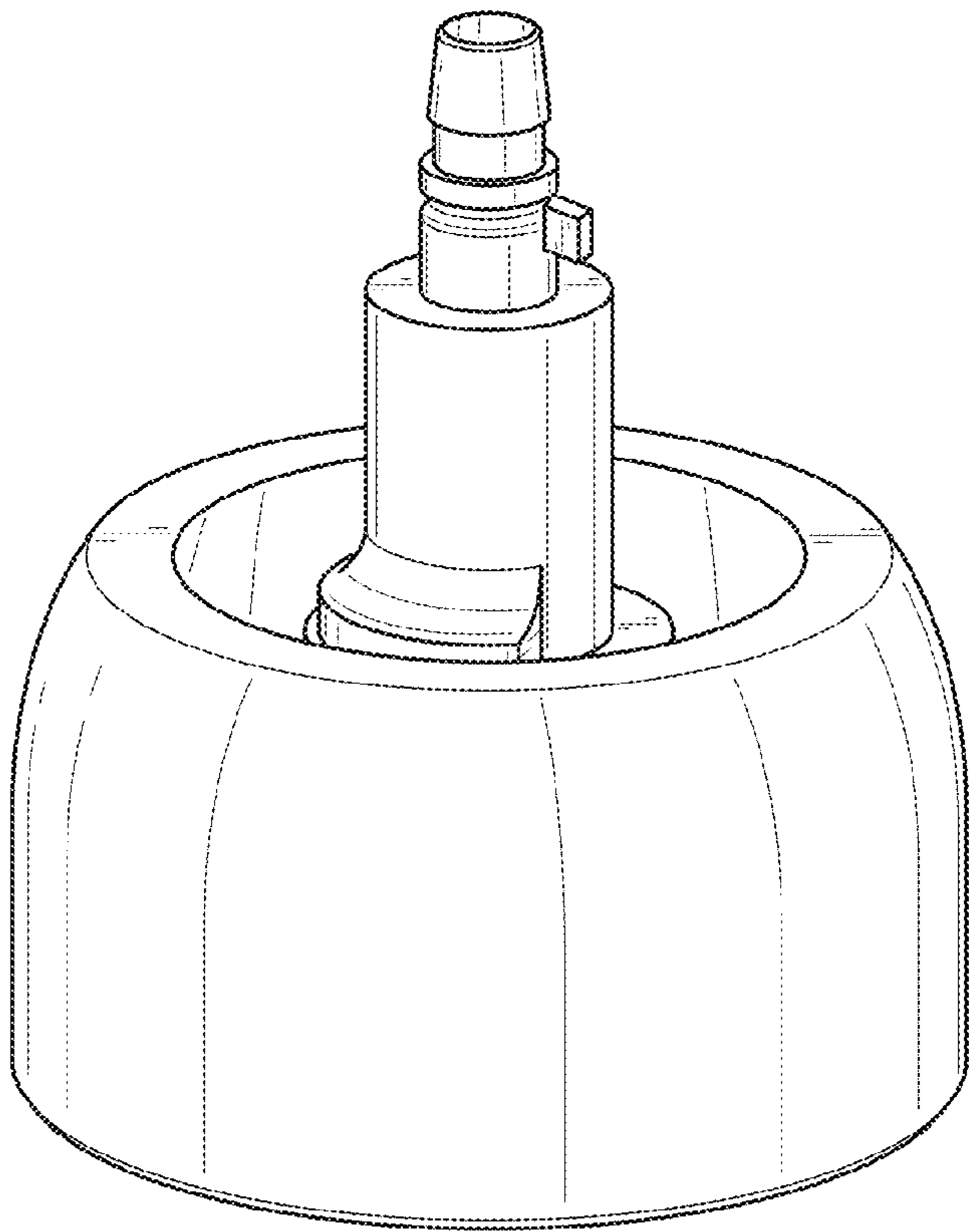


FIG. 1

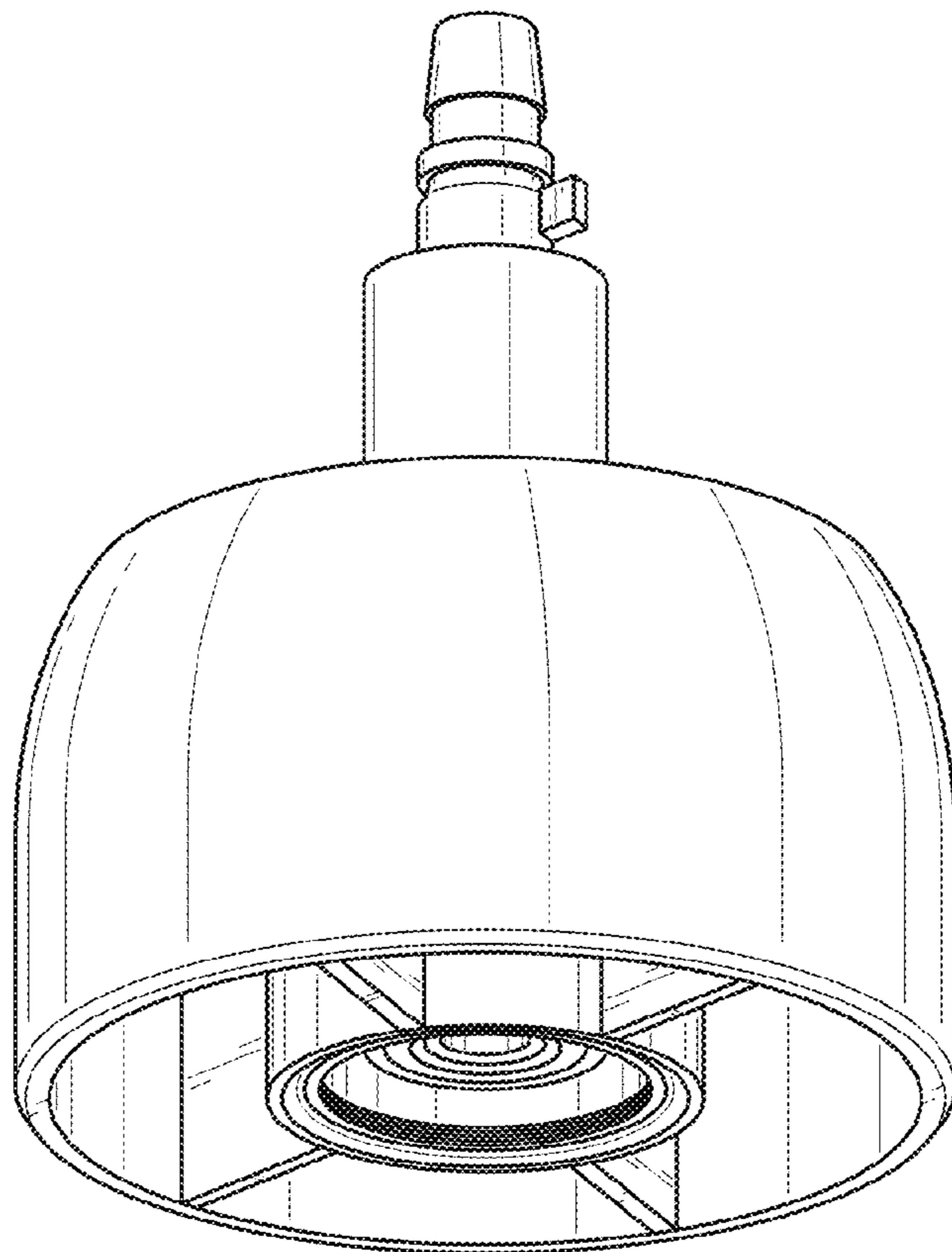


FIG. 2

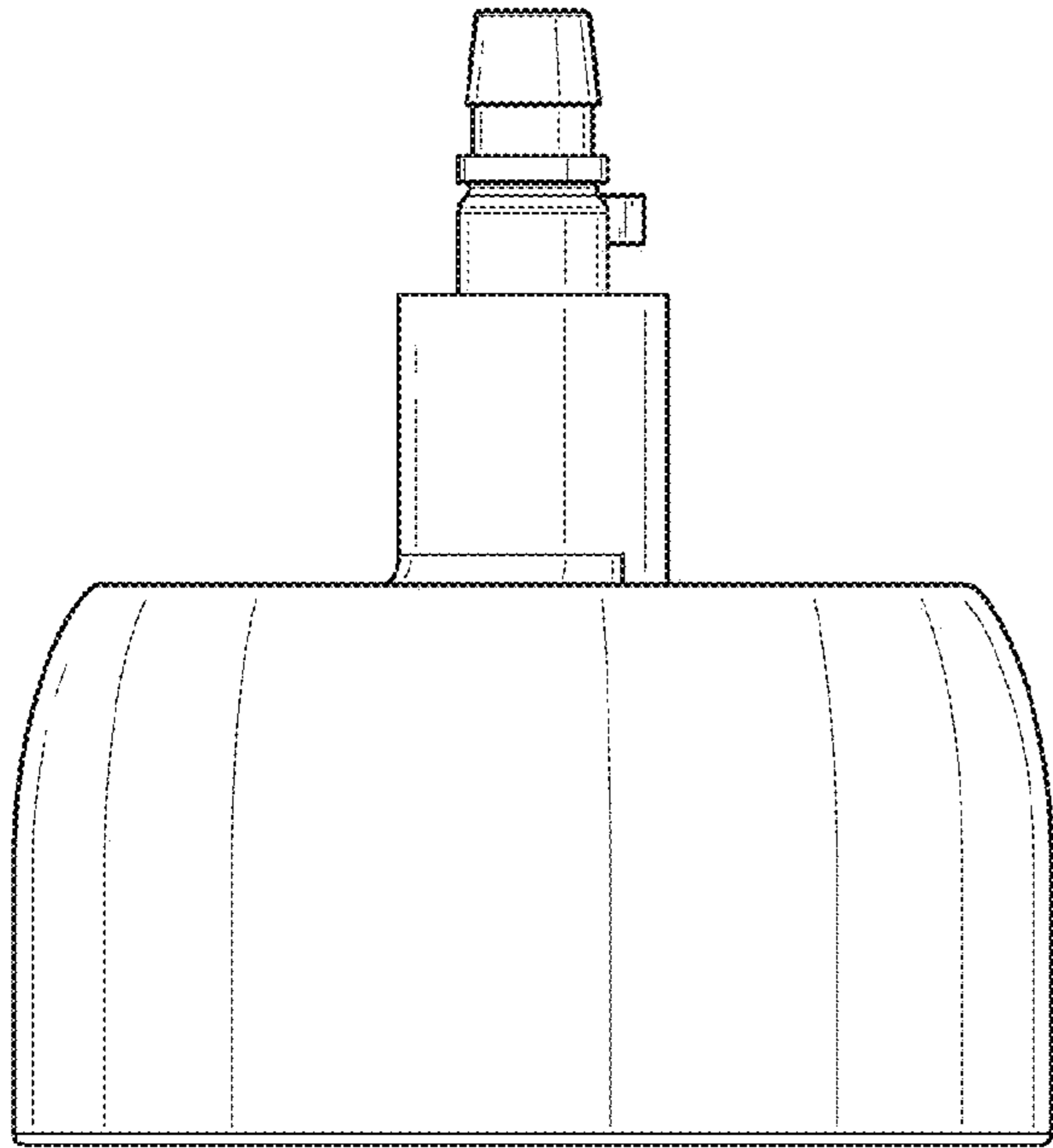


FIG. 3

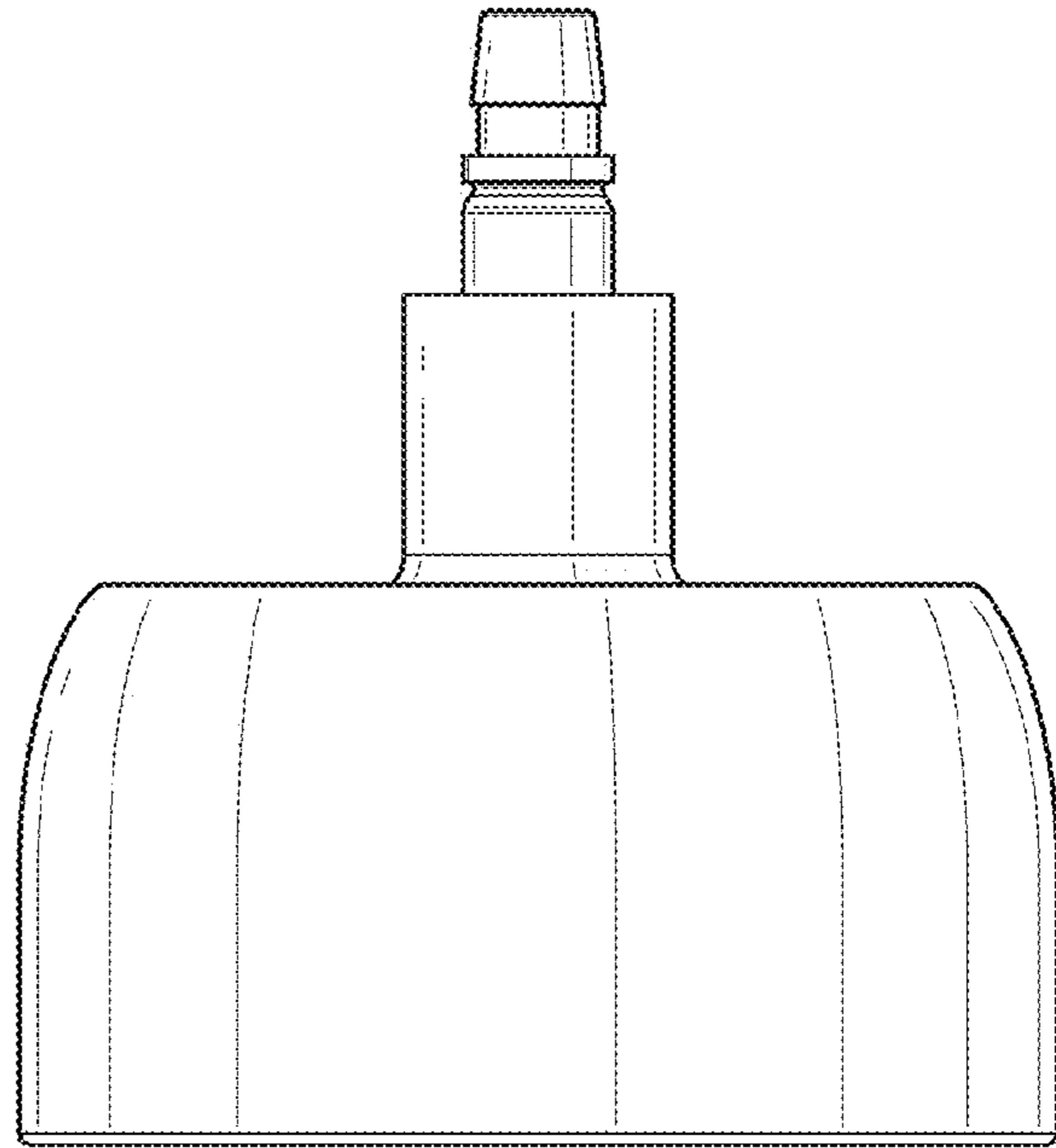


FIG. 5

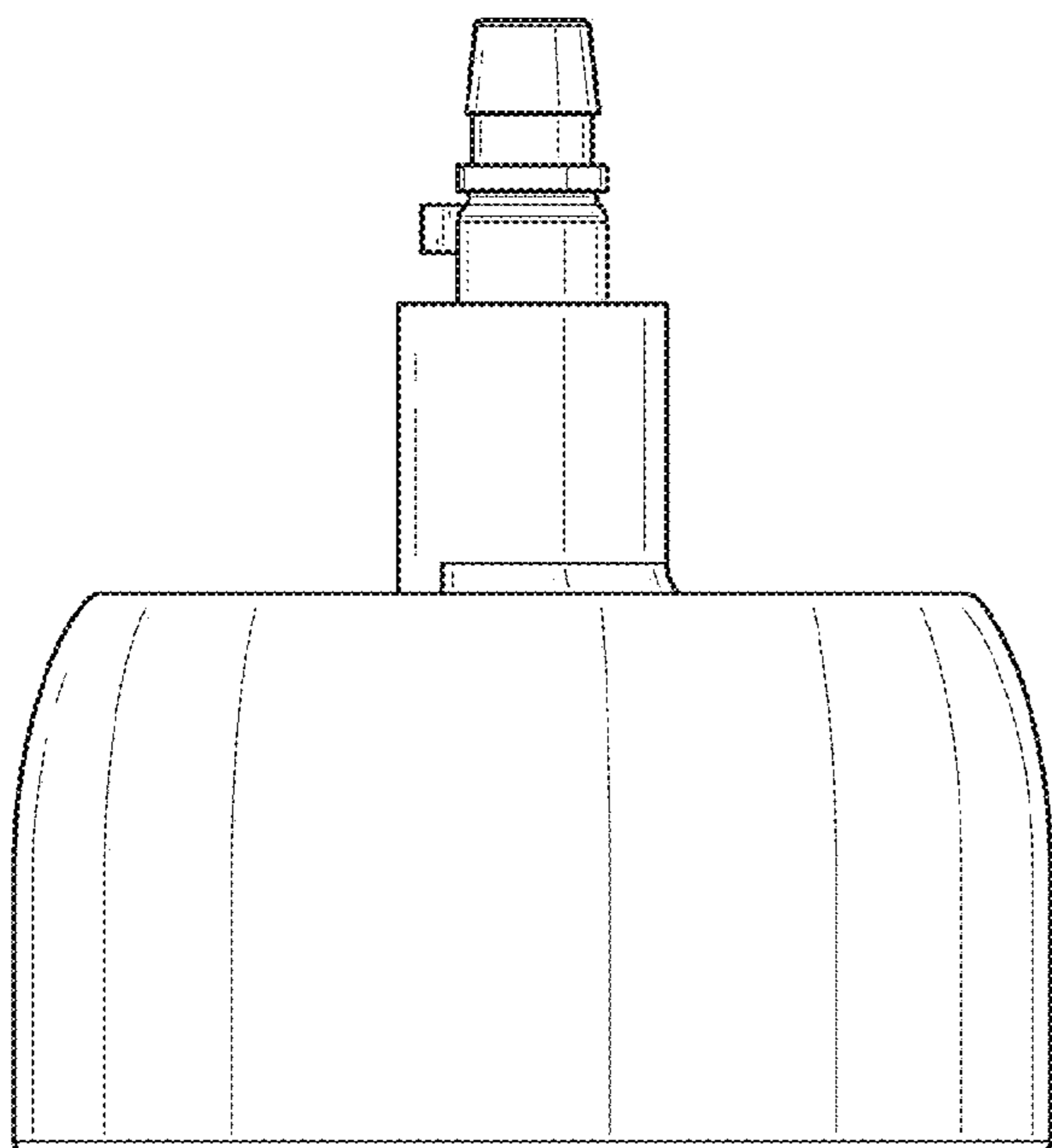


FIG. 4

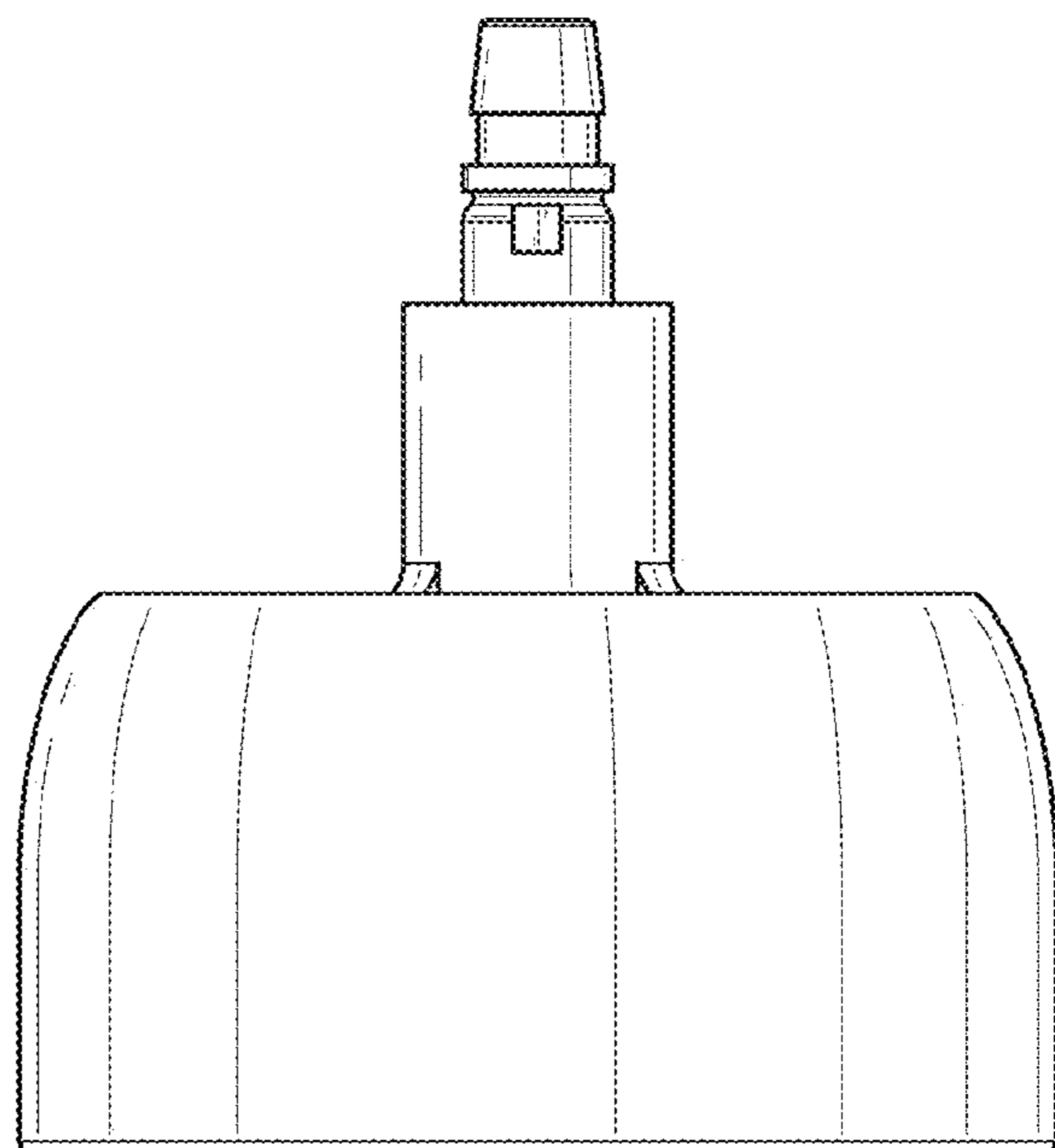


FIG. 6

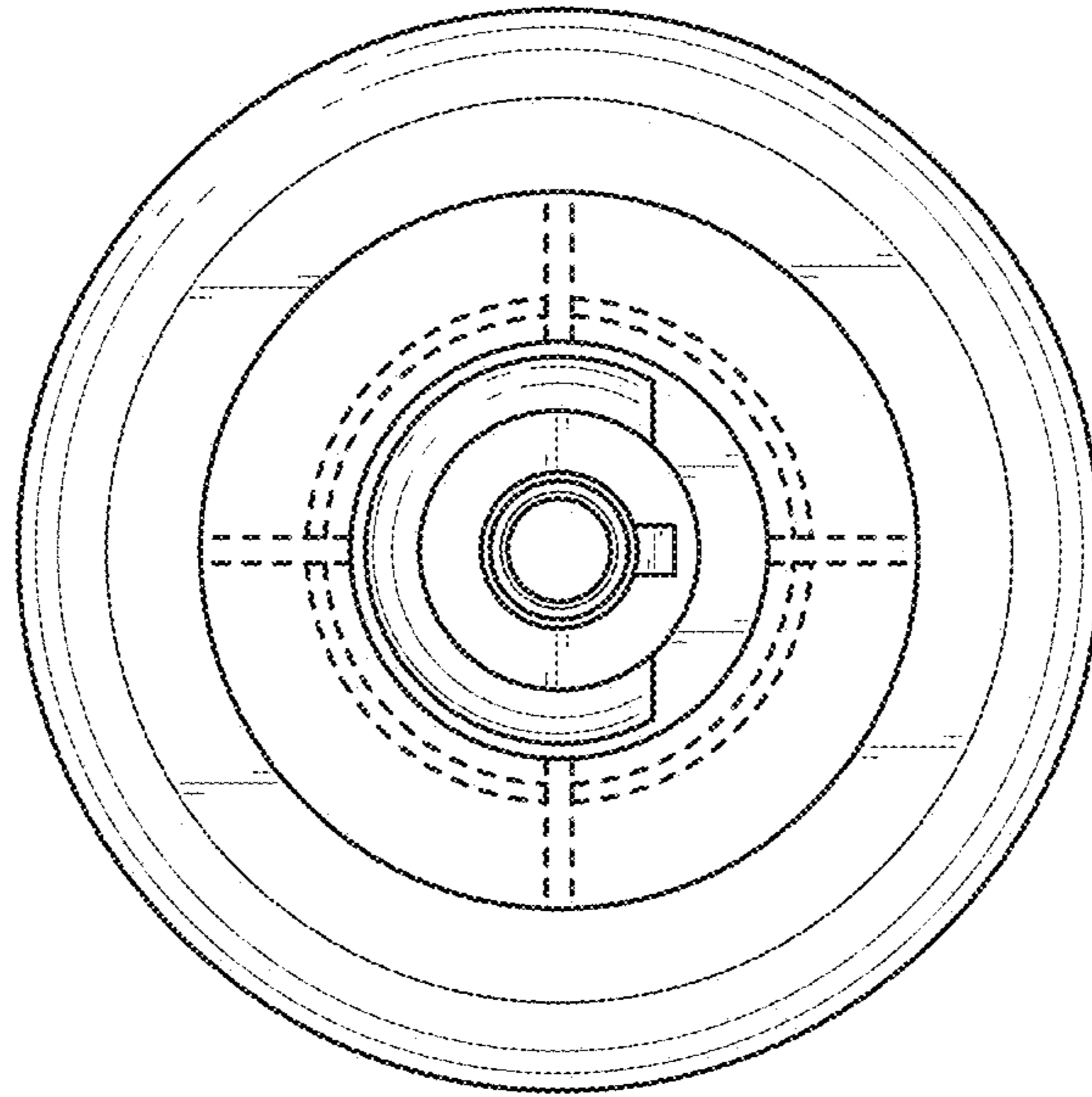


FIG. 7

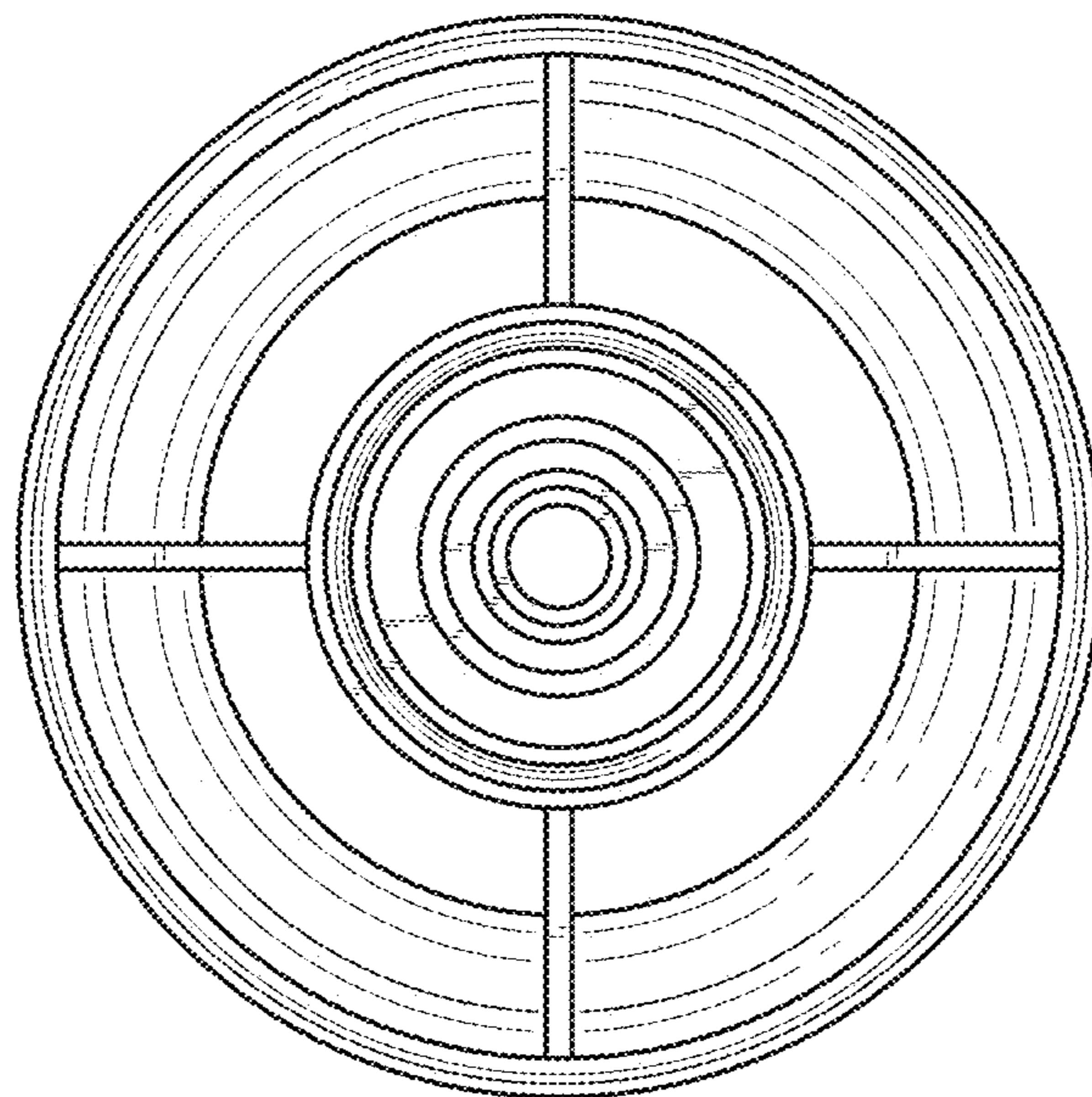


FIG. 8