



US00D925730S

(12) **United States Design Patent** (10) **Patent No.:** **US D925,730 S**
Ferrier et al. (45) **Date of Patent:** **** Jul. 20, 2021**

(54) **ENTERAL SYRINGE**

FOREIGN PATENT DOCUMENTS

(71) Applicant: **Becton, Dickinson and Company**,
Franklin Lakes, NJ (US)

EP 2583715 A1 4/2013
JP 2014514051 A 6/2014

(Continued)

(72) Inventors: **Erik Ferrier**, Cranford, NJ (US);
Lokesh Ramamurthy, Chennai (IN)

OTHER PUBLICATIONS

(73) Assignee: **Becton, Dickinson and Company**,
Franklin Lakes, NJ (US)

Non-Final Office Action in U.S. Appl. No. 16/014,621 dated Aug. 21, 2020, 22 pages.

(Continued)

(**) Term: **15 Years**

Primary Examiner — David G Muller

(21) Appl. No.: **29/695,582**

(74) *Attorney, Agent, or Firm* — Servilla Whitney LLC

(22) Filed: **Jun. 20, 2019**

(57) **CLAIM**

The ornamental design for an enteral syringe, substantially as shown and described.

(51) **LOC (13) Cl.** **24-02**

(52) **U.S. Cl.**

USPC **D24/114**

(58) **Field of Classification Search**

USPC D24/112–114, 108, 133, 130, 127, 186;
606/181, 185; 604/264, 272, 187, 181,
604/184, 227

CPC A61M 5/178; A61M 3/00; A61M 5/20;
A61M 5/31; A61M 5/3146; A61M
5/3129; A61M 5/3148; A61M 5/315

See application file for complete search history.

DESCRIPTION

FIG. 1 is a top-front isometric view of an enteral syringe in accordance with a first embodiment of the design; FIG. 2 is a front view of the enteral syringe of FIG. 1; FIG. 3 is a rear view of the enteral syringe of FIG. 1; FIG. 4 is a left side view of the enteral syringe of FIG. 1; FIG. 5 is right side view of the enteral syringe of FIG. 1; FIG. 6 is a top view of the enteral syringe of FIG. 1; FIG. 7 is a bottom view of the enteral syringe of FIG. 1; FIG. 8 is a top-front isometric view of an enteral syringe in accordance with a second embodiment of the design. FIG. 9 is a front view of the enteral syringe of FIG. 8; FIG. 10 is a rear view of the enteral syringe of FIG. 8; FIG. 11 is a left side view of the enteral syringe of FIG. 8; FIG. 12 is a right side view of the enteral syringe of FIG. 8; FIG. 13 is a top view of the enteral syringe of FIG. 8; and, FIG. 14 is a bottom view of the enteral syringe of FIG. 8. The broken line showing of parts of the drawings is included for the purpose of illustrating use and environment and forms no part of the claimed design.

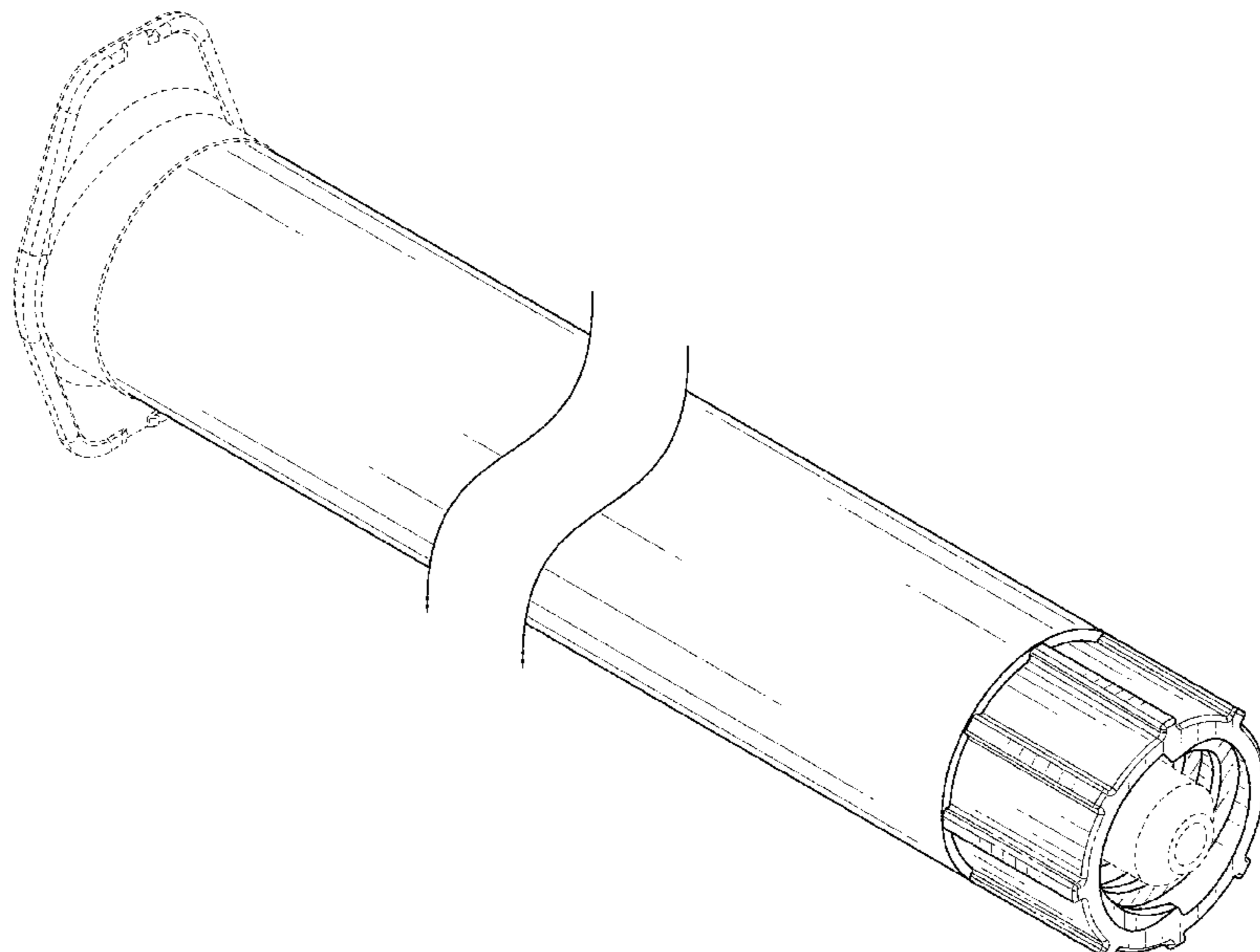
(56) **References Cited**

U.S. PATENT DOCUMENTS

4,390,017 A 6/1983 Harrison et al.
5,569,286 A * 10/1996 Peckham A61B 5/150022
604/192
5,609,584 A 3/1997 Gettig et al.
6,183,421 B1 2/2001 Bobo
6,500,153 B1 12/2002 Sheppard et al.
6,599,269 B1 7/2003 Lewandowski et al.
D484,243 S * 12/2003 Ryan D24/130

(Continued)

1 Claim, 8 Drawing Sheets



(56)

References Cited

U.S. PATENT DOCUMENTS

D496,101 S * 9/2004 Davison D24/112
 7,066,914 B2 6/2006 Andersen
 7,955,317 B2 6/2011 Fournie
 8,292,875 B2 10/2012 Kennard
 D710,499 S 8/2014 Kawamura
 D711,530 S 8/2014 Gleason, Jr. et al.
 D714,935 S * 10/2014 Nishioka D24/130
 8,888,758 B2 11/2014 Mansour et al.
 D726,305 S * 4/2015 Furukawa D24/114
 D760,890 S * 7/2016 Guala D24/112
 D765,837 S 9/2016 Lev et al.
 D767,124 S 9/2016 Lev et al.
 D785,162 S 4/2017 Swisher et al.
 D787,052 S * 5/2017 Heinz D24/130
 D787,054 S * 5/2017 Rini D24/130
 9,656,022 B1 5/2017 Russo
 D825,749 S * 8/2018 Huang D24/130
 D834,187 S * 11/2018 Ryan A61M 39/162
 D838,363 S * 1/2019 Katagiri D24/127
 D847,981 S * 5/2019 Calvert D24/127
 D858,756 S * 9/2019 Katagiri D24/130
 D861,161 S 9/2019 Schuessler
 2006/0047251 A1 3/2006 Bickford Smith et al.
 2008/0140020 A1 6/2008 Shirley
 2010/0022966 A1 1/2010 Kennard
 2010/0057004 A1 3/2010 Christensen et al.
 2011/0046568 A1 2/2011 Enns
 2012/0022457 A1 1/2012 Silver
 2012/0078214 A1 3/2012 Finke et al.
 2012/0150129 A1 6/2012 Jin
 2013/0030379 A1 1/2013 Ingram et al.

2013/0090606 A1 4/2013 Shams
 2013/0158560 A1 6/2013 Gleason et al.
 2013/0226100 A1 8/2013 Lev
 2013/0237904 A1 9/2013 Deneburg et al.
 2013/0270819 A1 10/2013 Amborn et al.
 2014/0228811 A1 8/2014 Charles et al.
 2016/0067471 A1 3/2016 Ingram et al.
 2016/0106928 A1 4/2016 Davis et al.
 2016/0159635 A1 6/2016 Davis et al.
 2016/0279032 A1 9/2016 David et al.
 2017/0021155 A1 1/2017 Fruenlund et al.
 2017/0173321 A1 6/2017 Davis et al.

FOREIGN PATENT DOCUMENTS

WO 2012134513 A1 10/2012
 WO 2015146831 A1 10/2015
 WO 2018067629 A1 4/2018
 WO 2018067929 A1 4/2018

OTHER PUBLICATIONS

Non-Final Office Action in U.S. Appl. No. 15/286,655 dated Mar. 27, 2020, 15 pages.
 Non-Final Office Action in U.S. Appl. No. 29/695,580 dated Apr. 10, 2020, 8 pages.
 PCT International Search Report and Written Opinion in PCT/US2017/055023 dated Dec. 19, 2017, 16 pages.
 Non-Final Office Action in U.S. Appl. No. 29/695,580 dated Oct. 4, 2019, 8 pages.
 PCT International Search Report and Written Opinion in PCT/US2019/038404 dated Sep. 9, 2019, 14 pages.

* cited by examiner

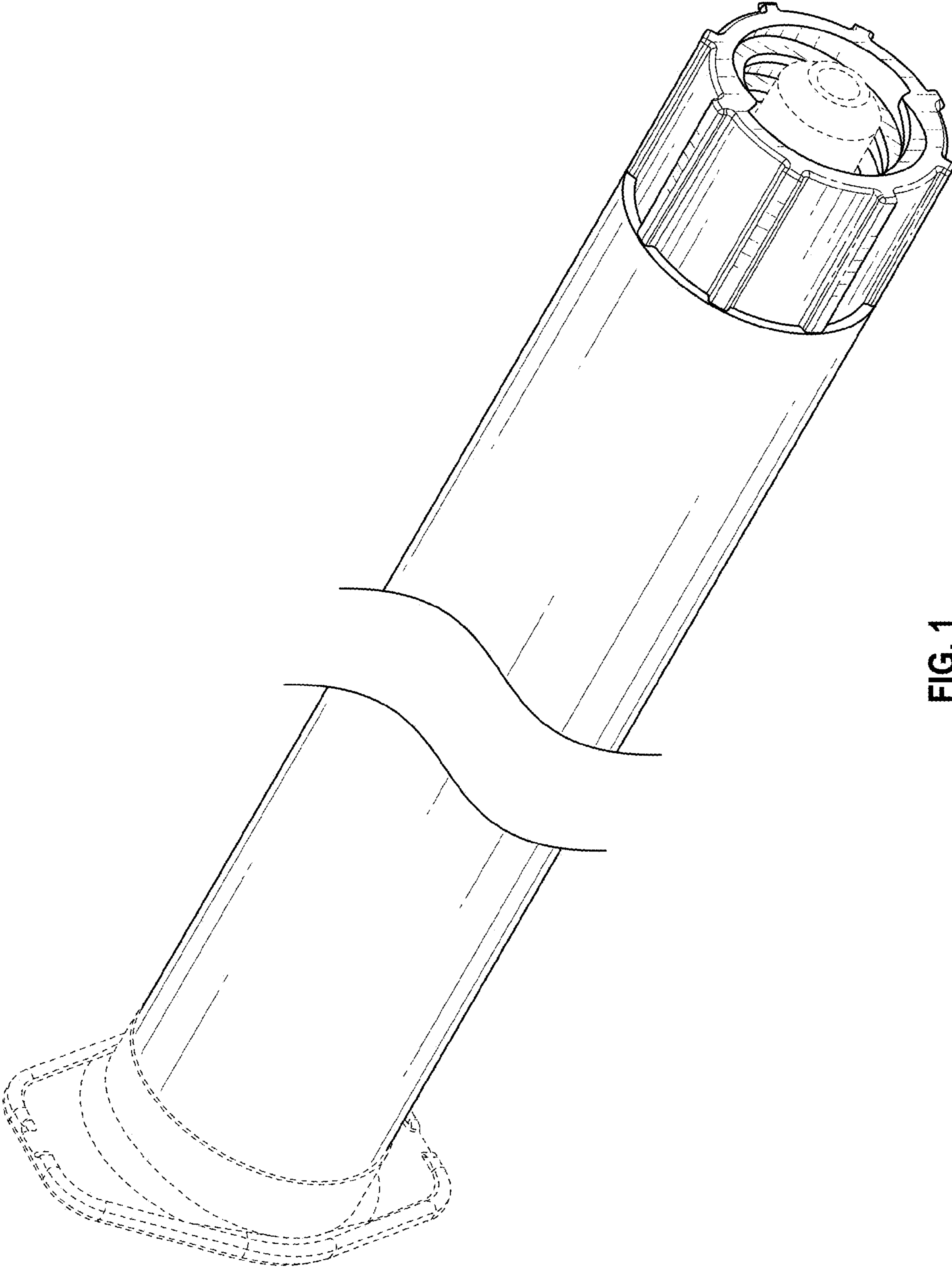


FIG. 1

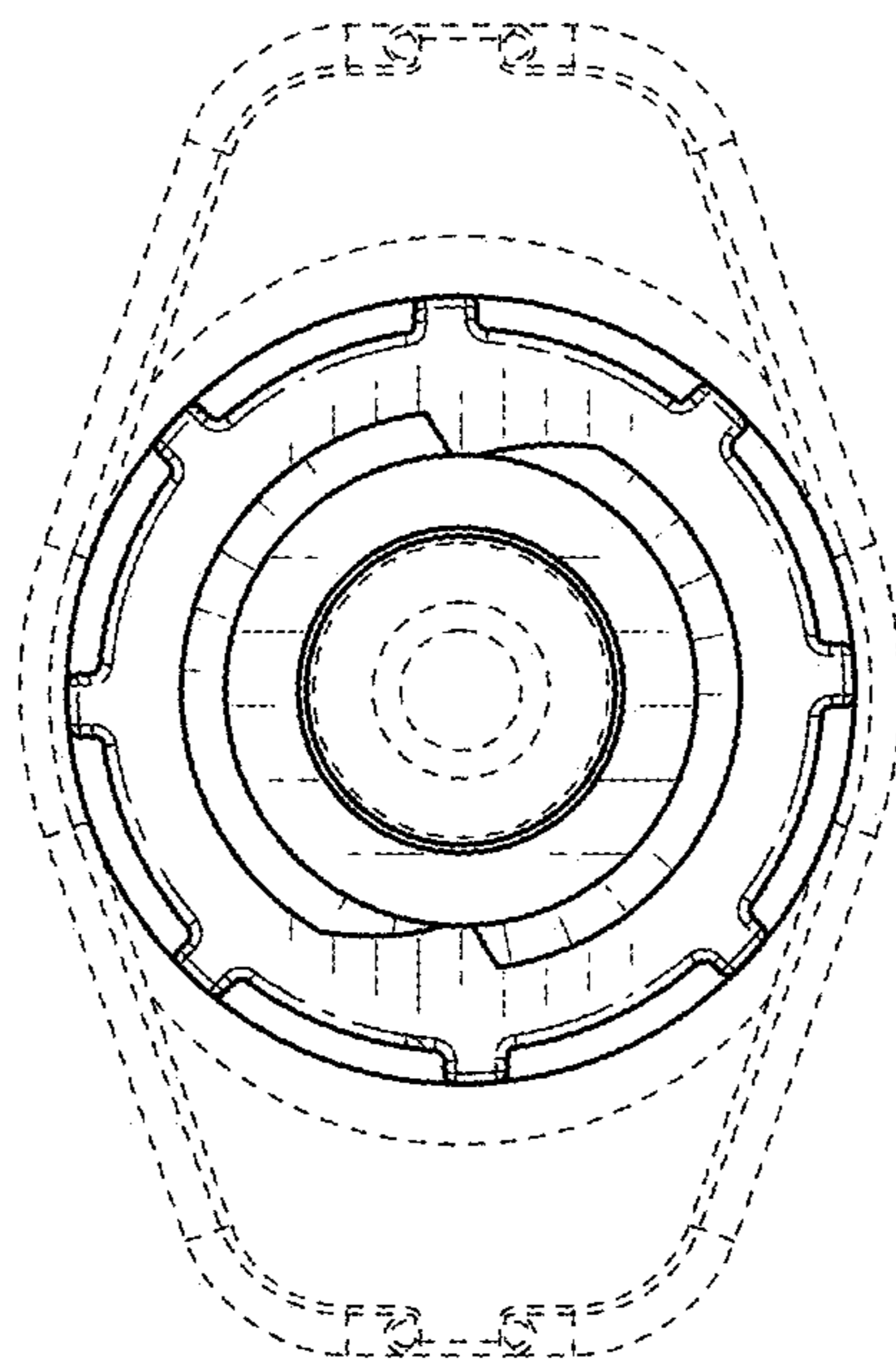


FIG. 2

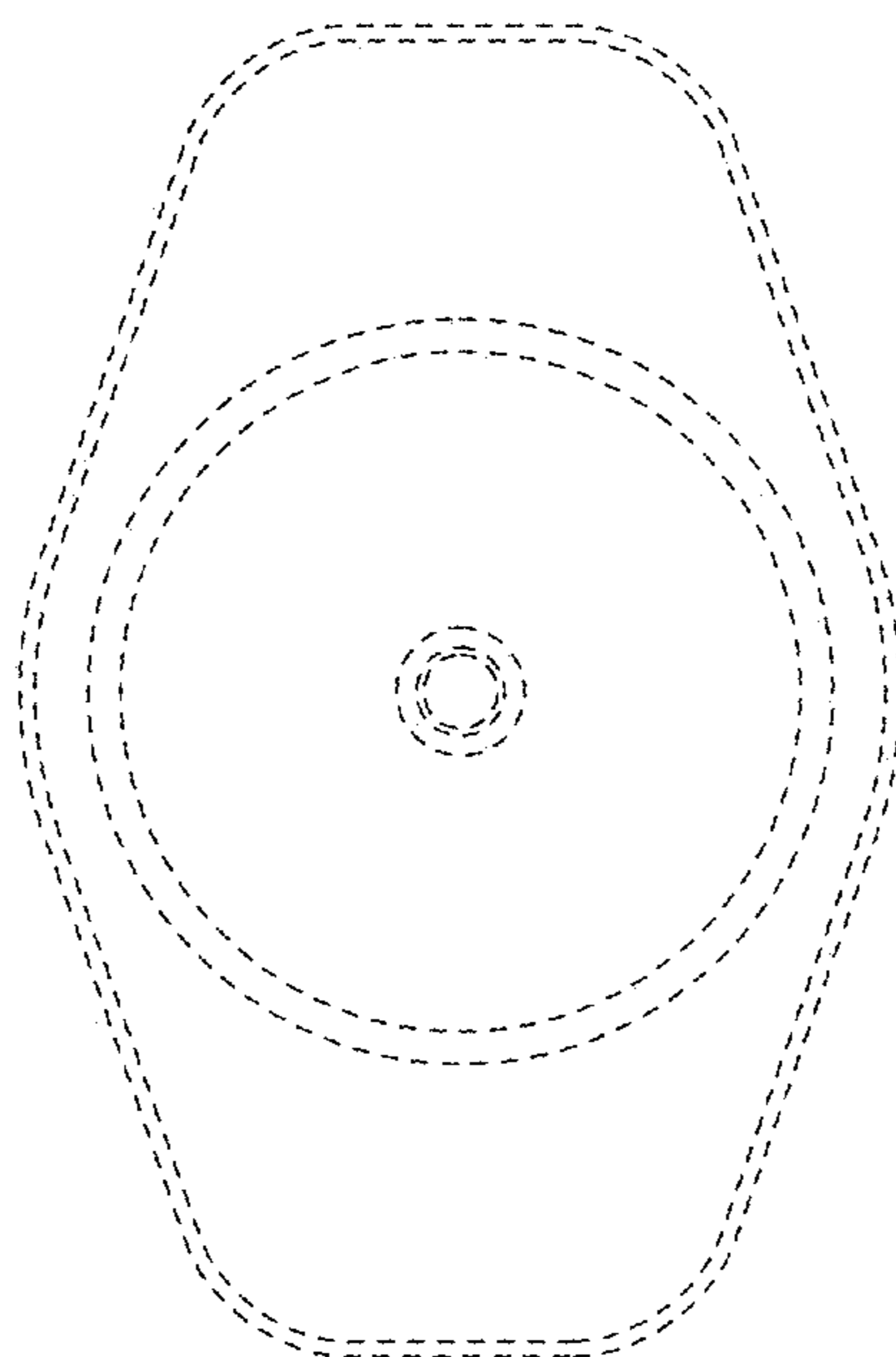


FIG. 3

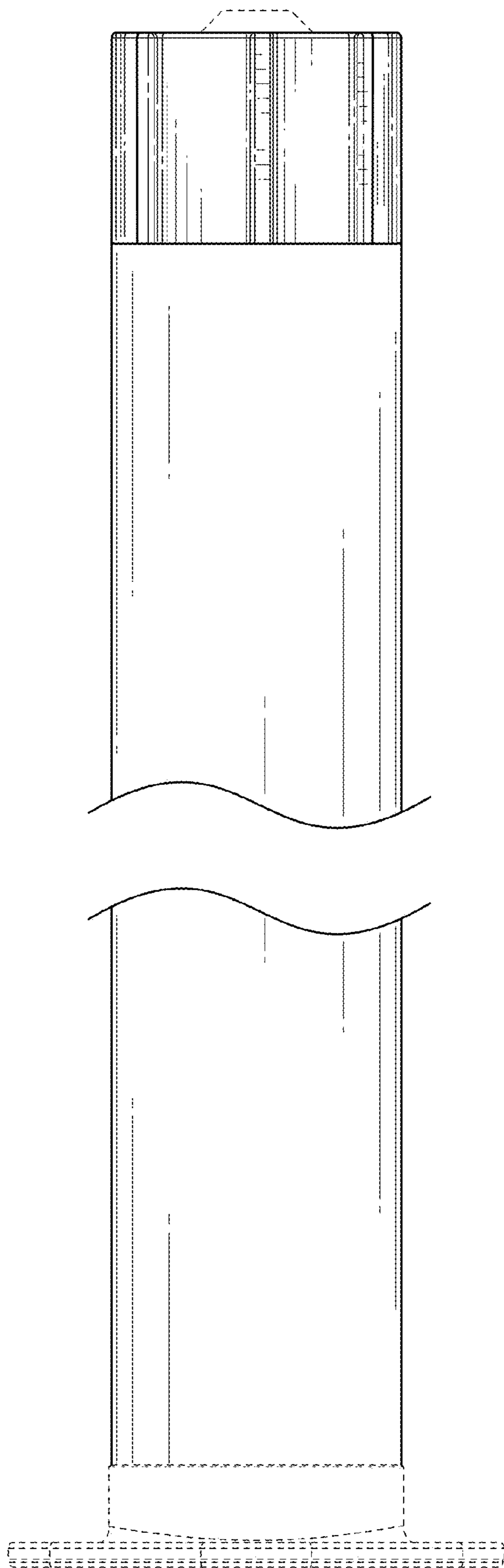


FIG. 4

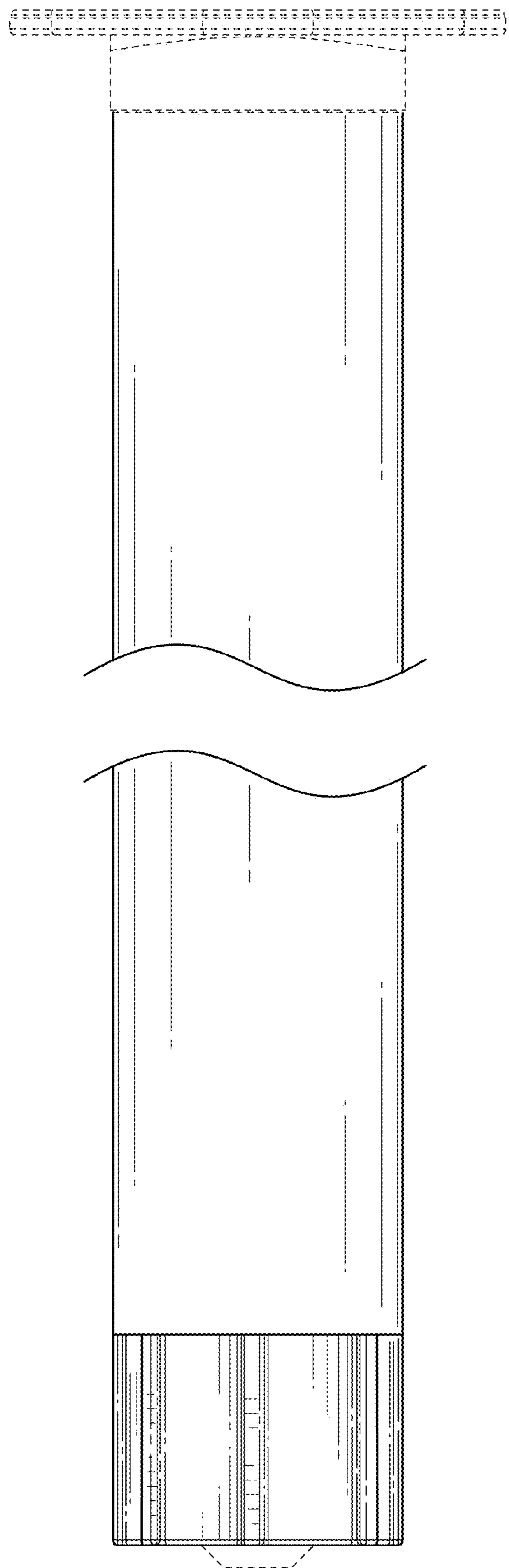


FIG. 5

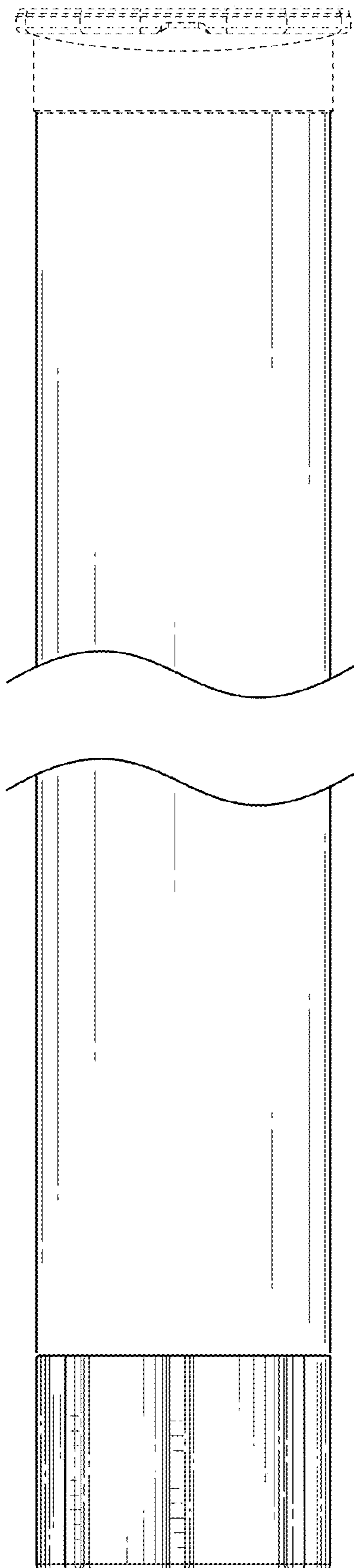


FIG. 6

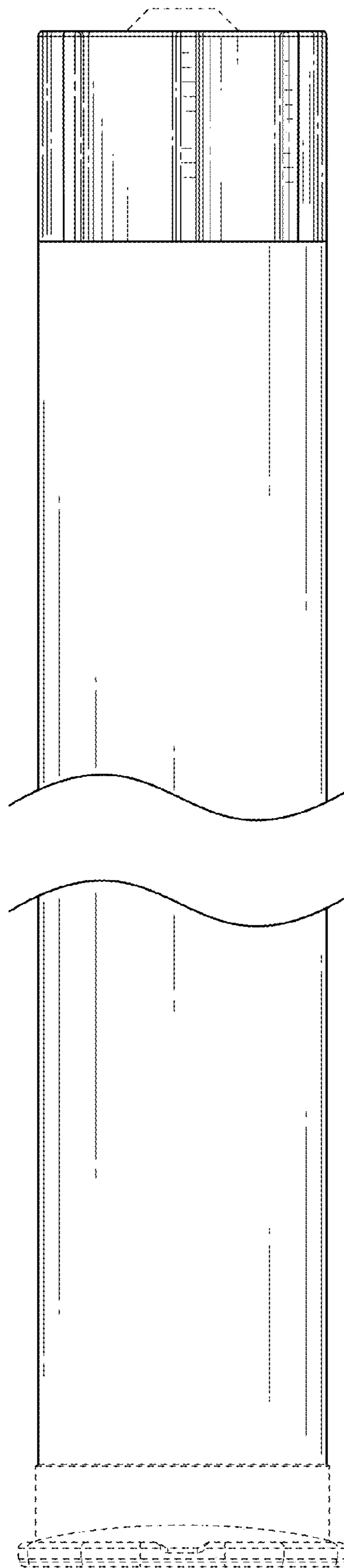


FIG. 7

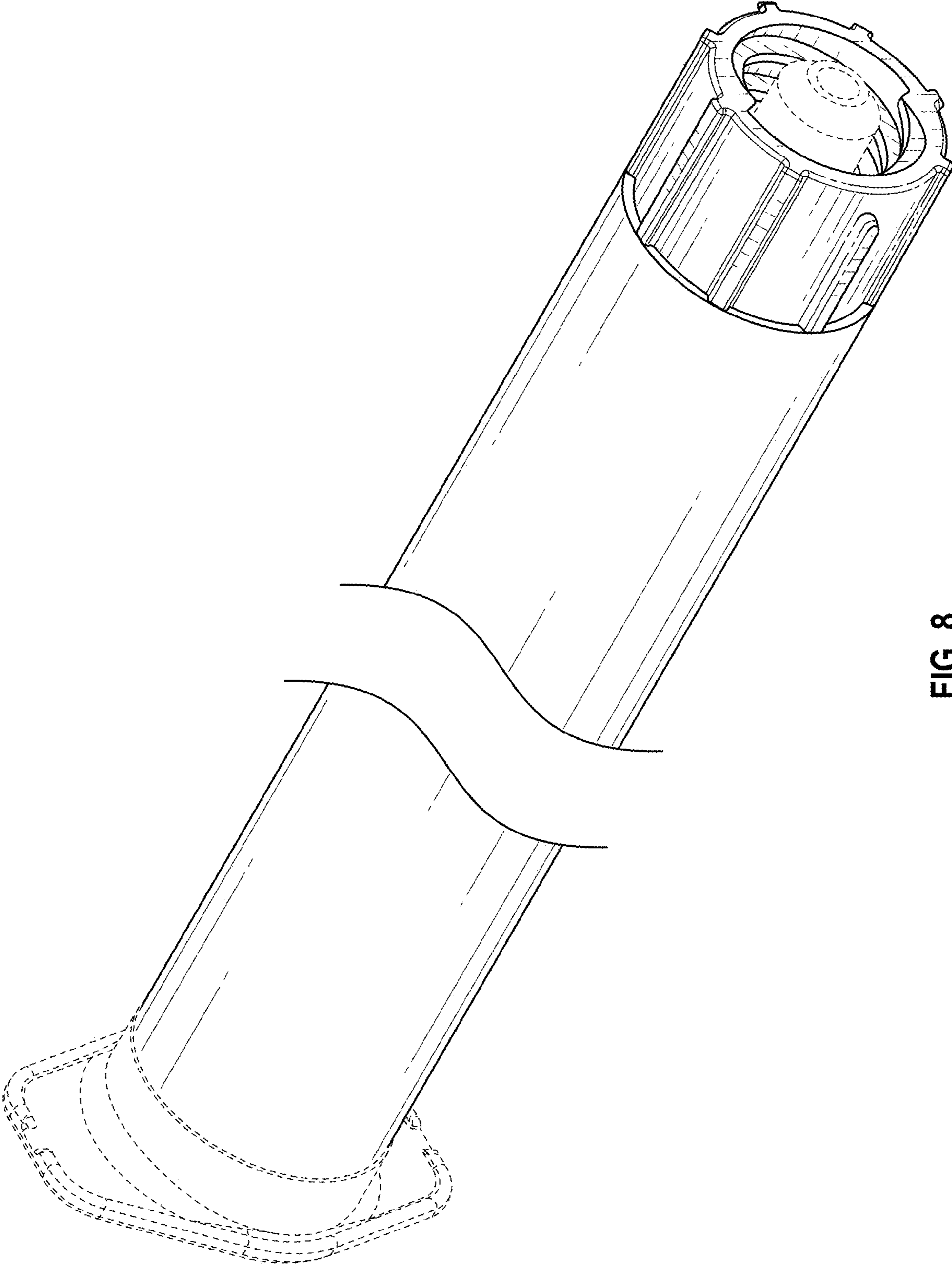


FIG. 8

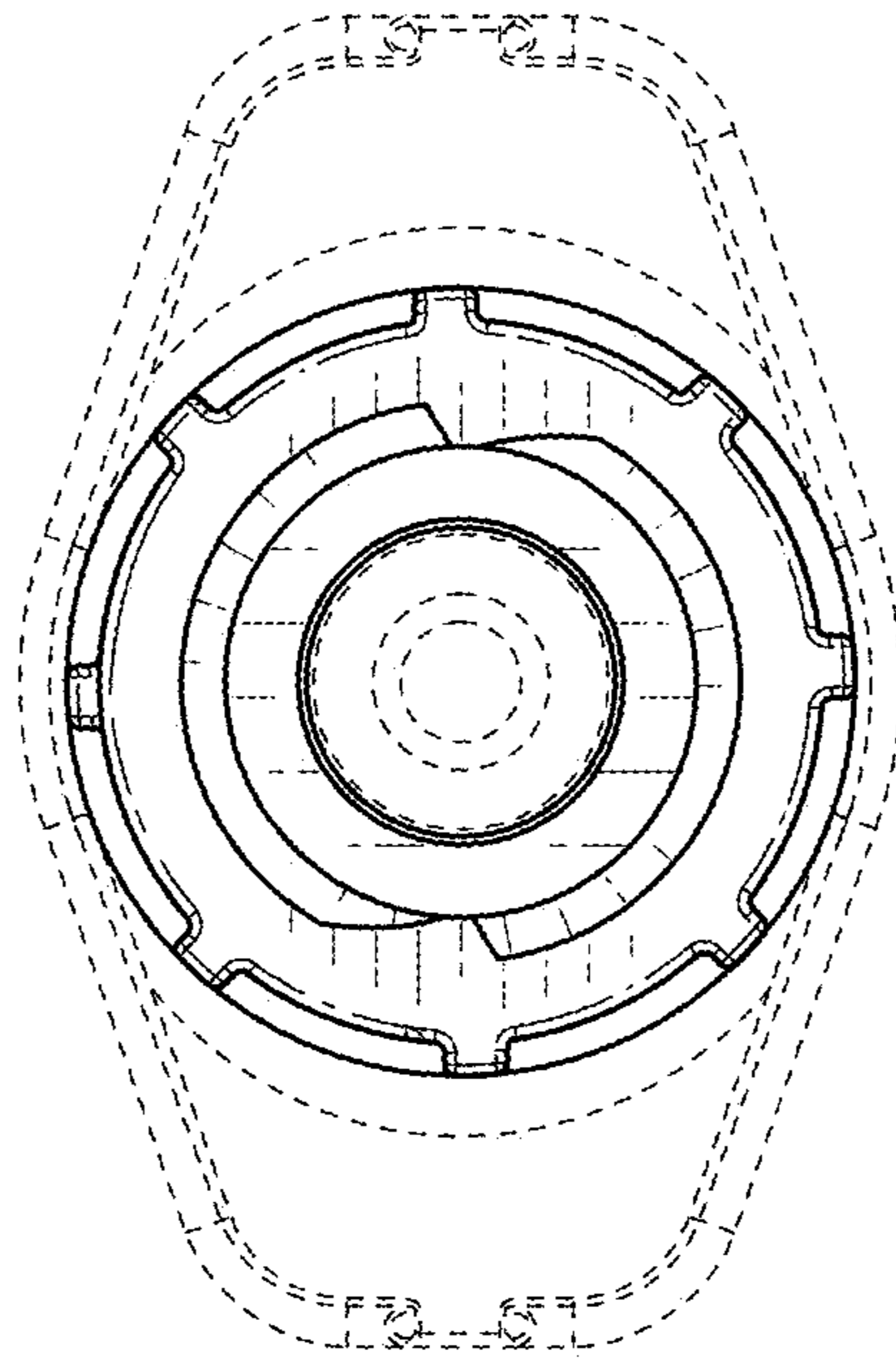


FIG. 9

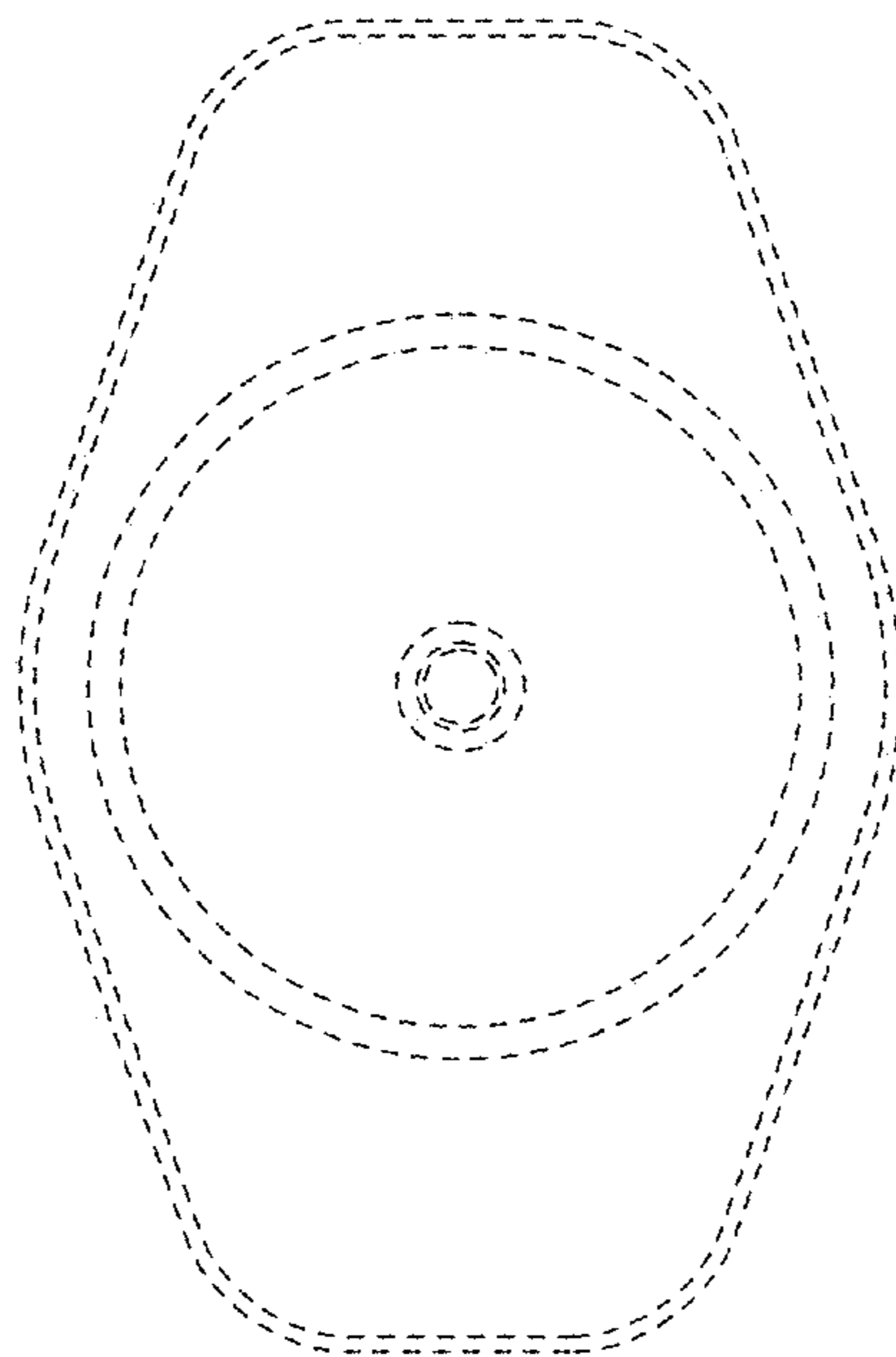


FIG. 10

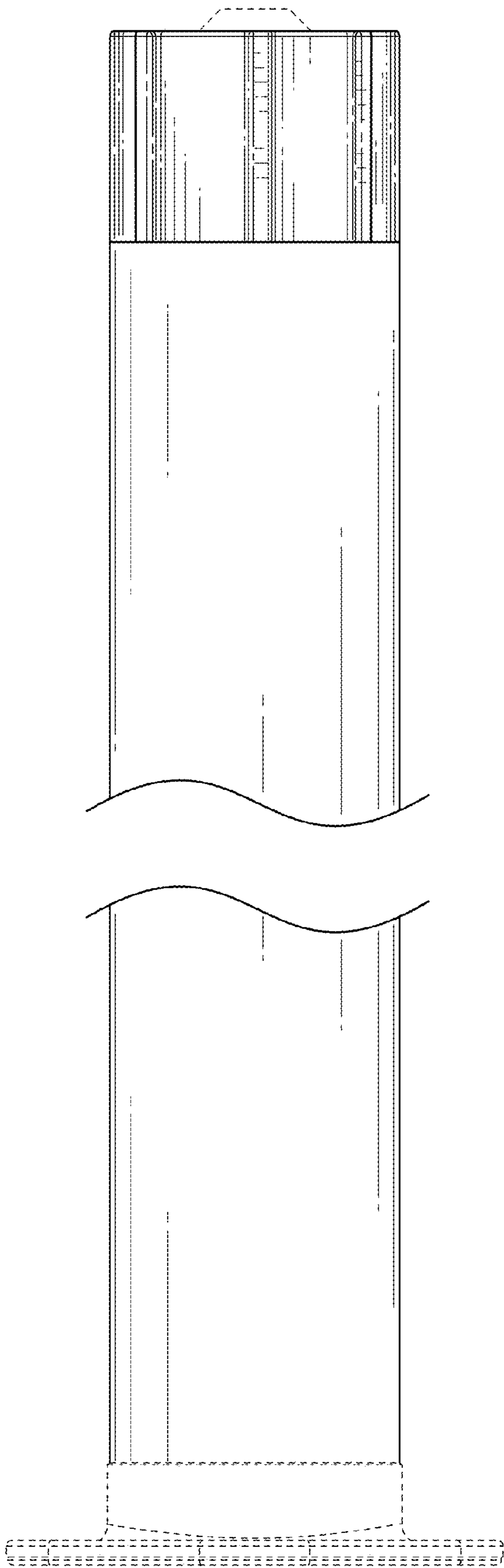


FIG. 11

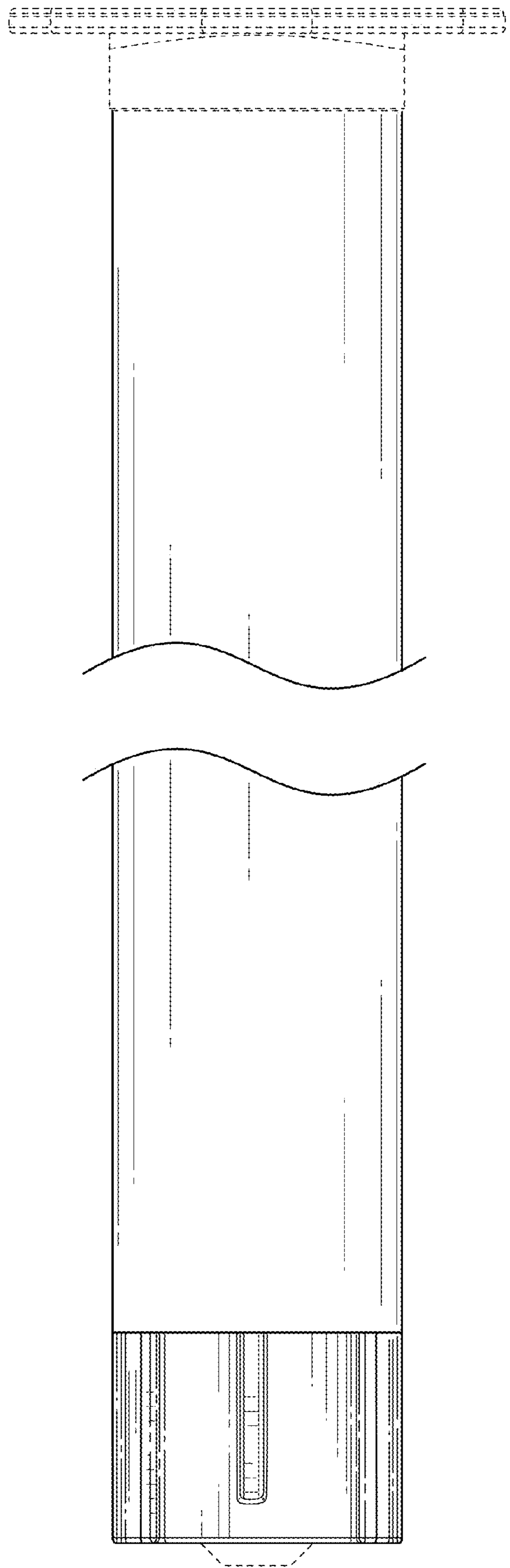


FIG. 12

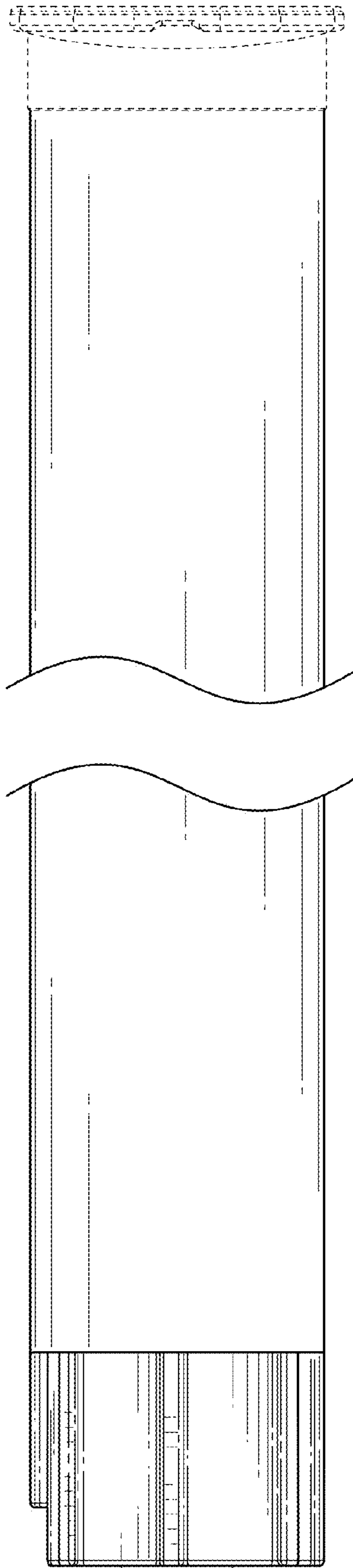


FIG. 13

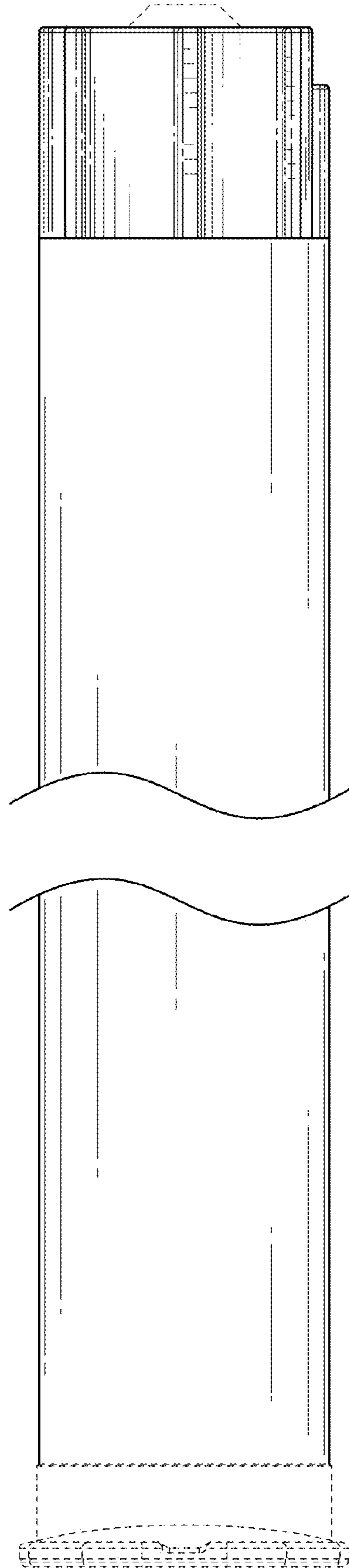


FIG. 14