



US00D925729S

(12) **United States Design Patent** (10) **Patent No.:** **US D925,729 S**  
**Leadingham et al.** (45) **Date of Patent:** **\*\* Jul. 20, 2021**

(54) **SPHERICAL SURGICAL SUCTION CONTAINER**

(71) Applicant: **Design Department, Inc.**, Pleasant Prairie, WI (US)  
(72) Inventors: **Brian T. Leadingham**, Pleasant Prairie, WI (US); **Patrick C. Tetzlaff**, Caledonia, WI (US)  
(73) Assignee: **DESIGN DEPARTMENT, INC.**, Racine, WI (US)

(\*\*) Term: **15 Years**  
(21) Appl. No.: **29/744,288**  
(22) Filed: **Jul. 28, 2020**

**Related U.S. Application Data**

(60) Continuation-in-part of application No. 29/739,970, filed on Jun. 30, 2020, which is a division of application No. 29/706,475, filed on Sep. 20, 2019, now Pat. No. Des. 888,937, which is a division of application No. 29/590,575, filed on Jan. 11, 2017, now Pat. No. Des. 870,879.

(51) **LOC (13) Cl.** ..... **24-02**  
(52) **U.S. Cl.**  
USPC ..... **D24/111**

(58) **Field of Classification Search**  
USPC ..... D24/108, 111-113, 133, 152, 176; D4/101, 138; D7/553.6-554.2  
CPC . A61C 17/0205; A61C 17/0202; A61C 17/00; A61C 17/224; A61C 17/20; A61C 17/005; A61C 17/028; A61C 17/02; A61C 17/36; A61C 17/0211; A61C 17/0214; A61C 17/28; A61C 17/043; A61C 17/22; A61C 17/222; A61C 17/225

See application file for complete search history.

(56) **References Cited**

U.S. PATENT DOCUMENTS

D94,364 S 1/1935 Schneider  
2,533,109 A \* 12/1950 Hannover ..... B67C 3/16  
141/290  
3,494,515 A 2/1970 Fattori  
3,522,647 A \* 8/1970 Holcomb ..... B21D 51/24  
228/184  
3,878,962 A 4/1975 Holbrook et al.  
D254,716 S 4/1980 Mascia et al.

(Continued)

FOREIGN PATENT DOCUMENTS

CA 146888 3/2014  
CN 203400351 U 1/2014

(Continued)

*Primary Examiner* — Sheryl Lane

*Assistant Examiner* — Aula Soroush

(74) *Attorney, Agent, or Firm* — Ryan Kromholz & Manion, S.C.

(57) **CLAIM**

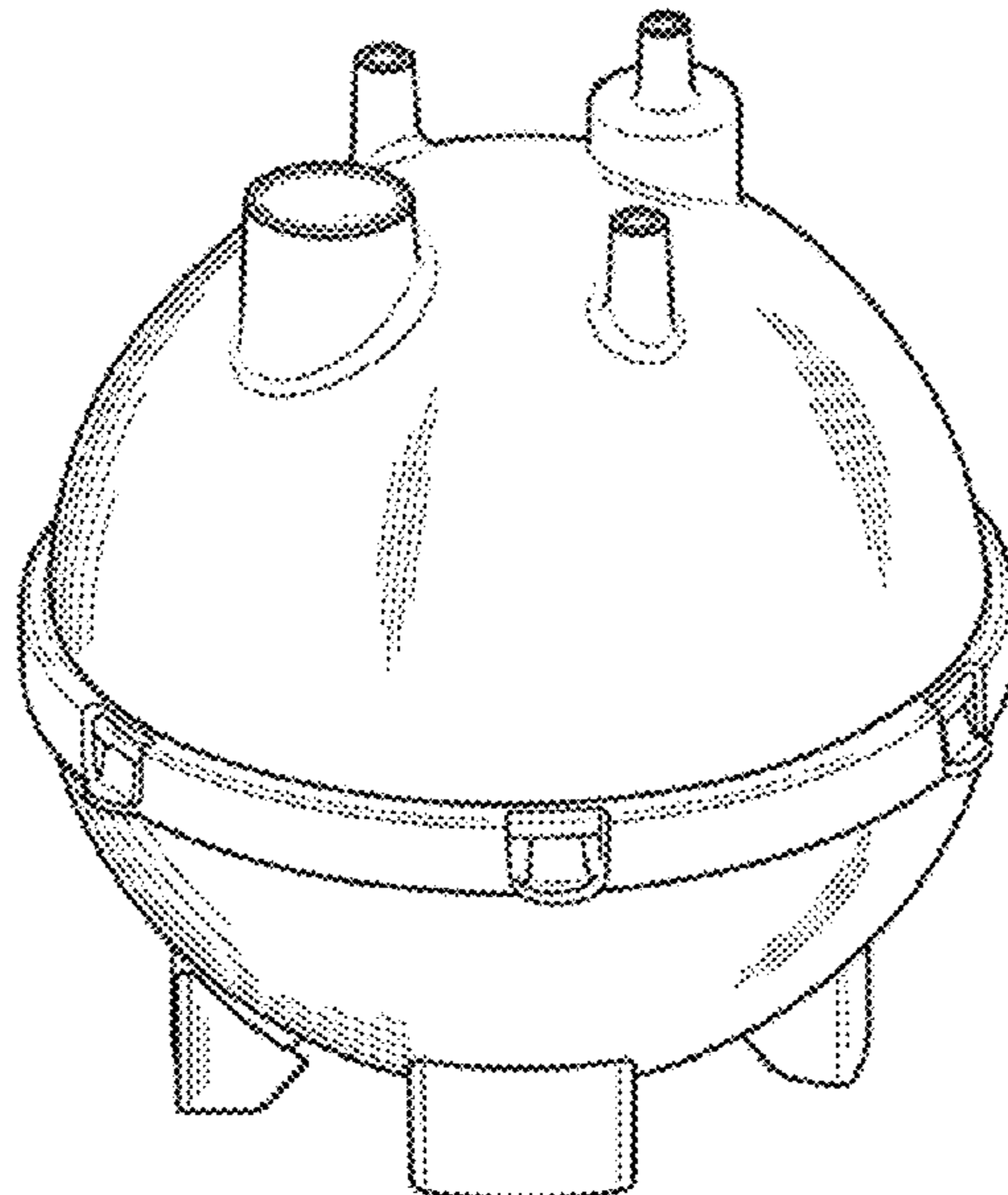
The ornamental design for a spherical surgical suction container, as shown and described.

**DESCRIPTION**

FIG. 1 is a top perspective view of a spherical surgical suction container showing our new design; FIG. 2 is an exploded top perspective view; FIG. 3 is a bottom perspective view; FIG. 4 is a left elevation view; FIG. 5 is a right elevation view; FIG. 6 is a front side elevation view; FIG. 7 is a back side elevation view; FIG. 8 is a top plan view; and, FIG. 9 is a bottom plan view.

The dot-dash broken lines in the drawings illustrate the bounds of the claim that form no part of the claimed design.

**1 Claim, 3 Drawing Sheets**



(56)

References Cited

U.S. PATENT DOCUMENTS

4,478,350 A \* 10/1984 Ohlsson ..... G01N 33/227  
 109/1 S  
 D324,106 S \* 2/1992 Greenblatt ..... D24/200  
 D418,022 S 12/1999 Hansen  
 6,152,902 A 11/2000 Christian et al.  
 6,261,276 B1 7/2001 Reitsma  
 D465,733 S 11/2002 Hill  
 D475,288 S 6/2003 Hoffmann et al.  
 D476,095 S 6/2003 Baarman et al.  
 D478,813 S 8/2003 Beene  
 D533,783 S 12/2006 Kliger et al.  
 D536,611 S 2/2007 Peck  
 D554,507 S 11/2007 Laupie  
 D564,900 S \* 3/2008 Green ..... D9/504  
 D572,535 S 7/2008 El-Ghouyel et al.  
 D592,064 S 5/2009 Kilany  
 D612,245 S 3/2010 Canamasas Puigbo  
 D626,000 S 10/2010 Chertoff et al.  
 D638,884 S \* 5/2011 Shoemaker, Jr. .... D21/386

D650,280 S 12/2011 de Peyerimhoff et al.  
 D661,540 S 6/2012 Facey  
 D708,790 S 7/2014 Schlatter  
 D732,341 S \* 6/2015 Matharu ..... D7/300  
 D733,498 S \* 7/2015 Matharu ..... D7/300  
 9,174,794 B2 \* 11/2015 Chen ..... A47G 19/16  
 D755,637 S 5/2016 Wetton et al.  
 D758,557 S 6/2016 Jih  
 D818,119 S \* 5/2018 Schoeller ..... D24/121  
 D870,879 S \* 12/2019 Leadingham ..... D24/111  
 D888,937 S \* 6/2020 Leadingham ..... D24/111  
 2003/0096038 A1 \* 5/2003 Cai ..... A47J 31/14  
 426/77  
 2013/0322950 A1 12/2013 Teller  
 2016/0021915 A1 1/2016 Baxter

FOREIGN PATENT DOCUMENTS

DE 20315574 U1 2/2004  
 JP 2013233155 A 11/2013  
 KR 200456798 Y1 11/2011

\* cited by examiner

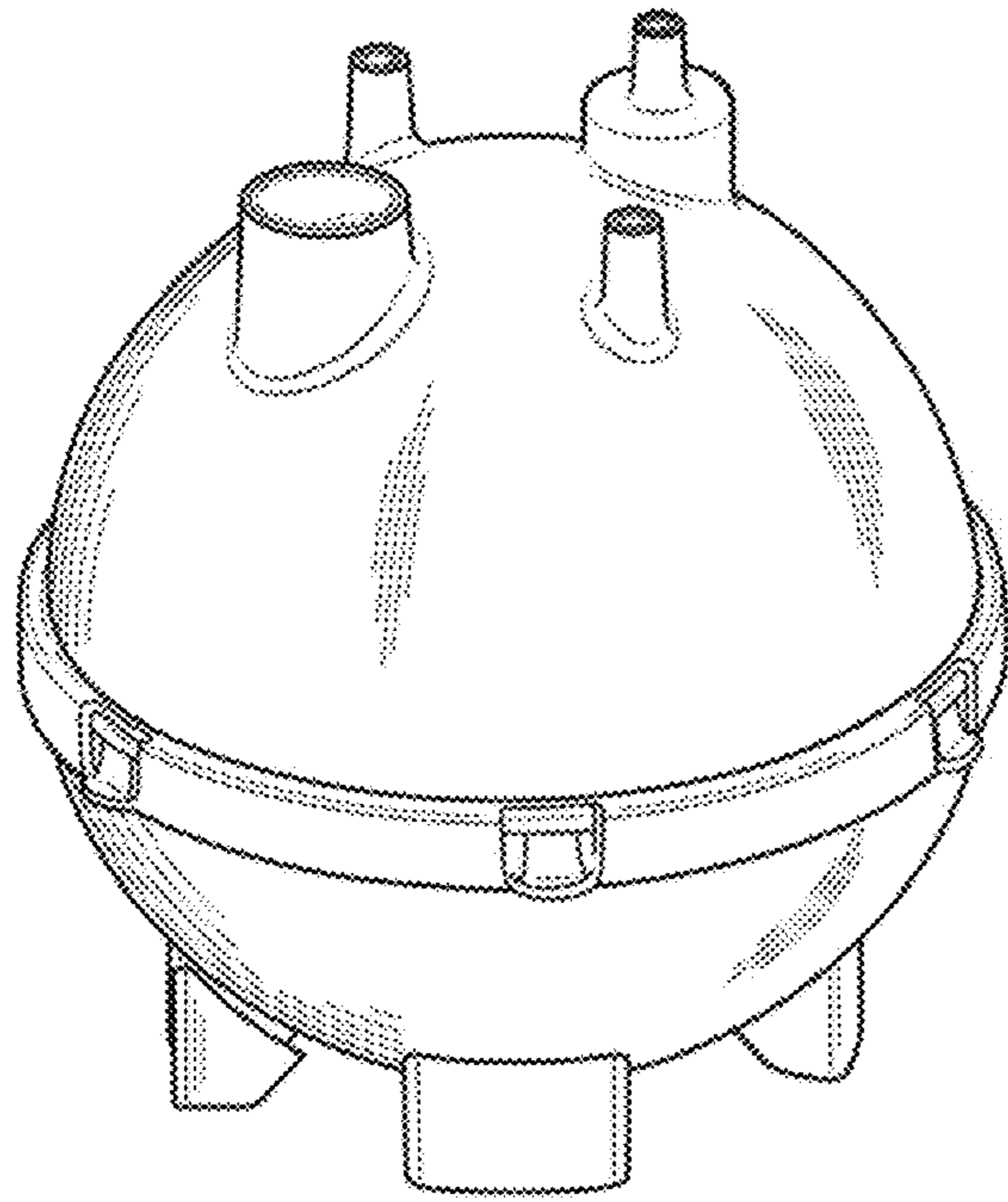


Fig. 1

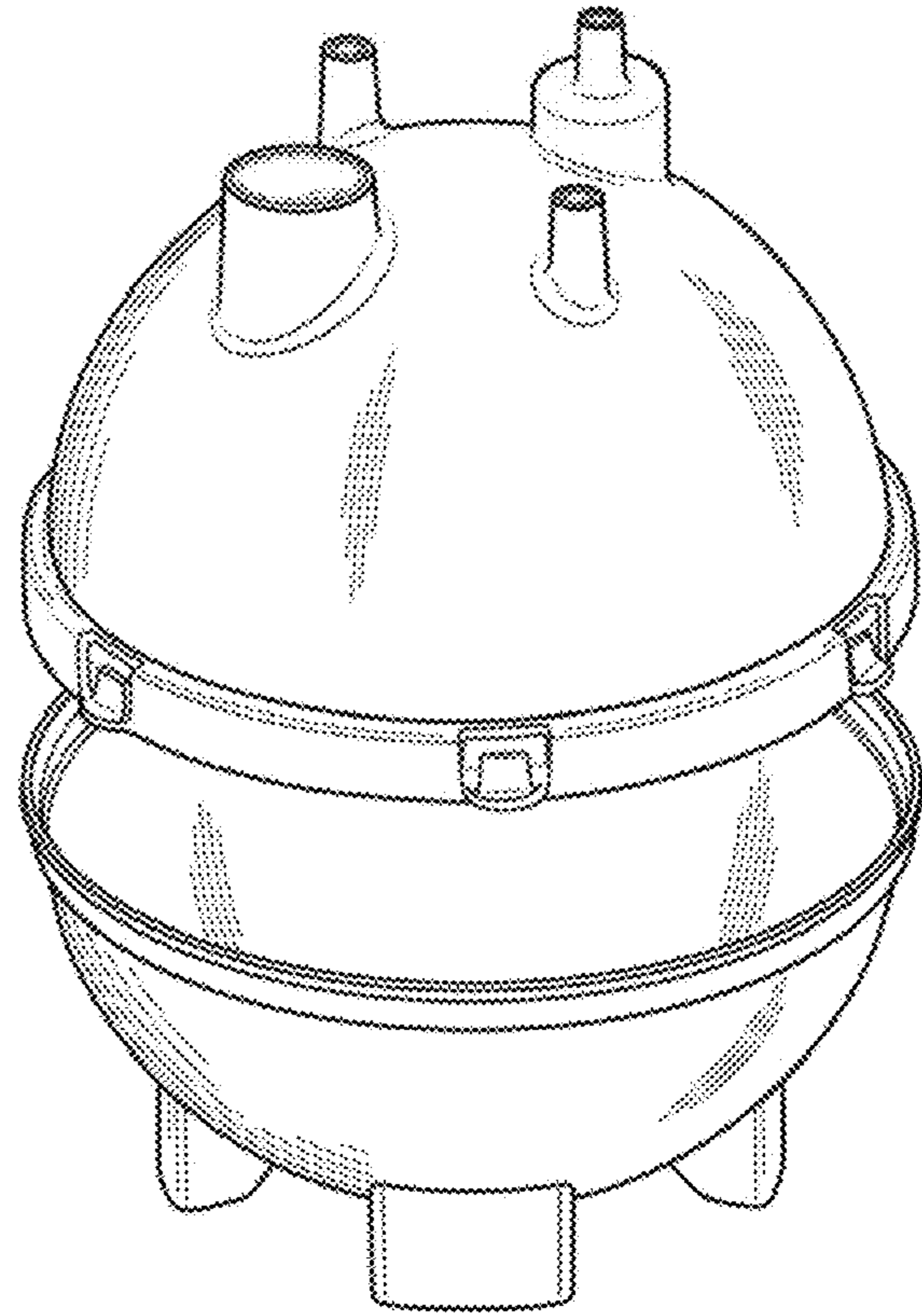


Fig. 2

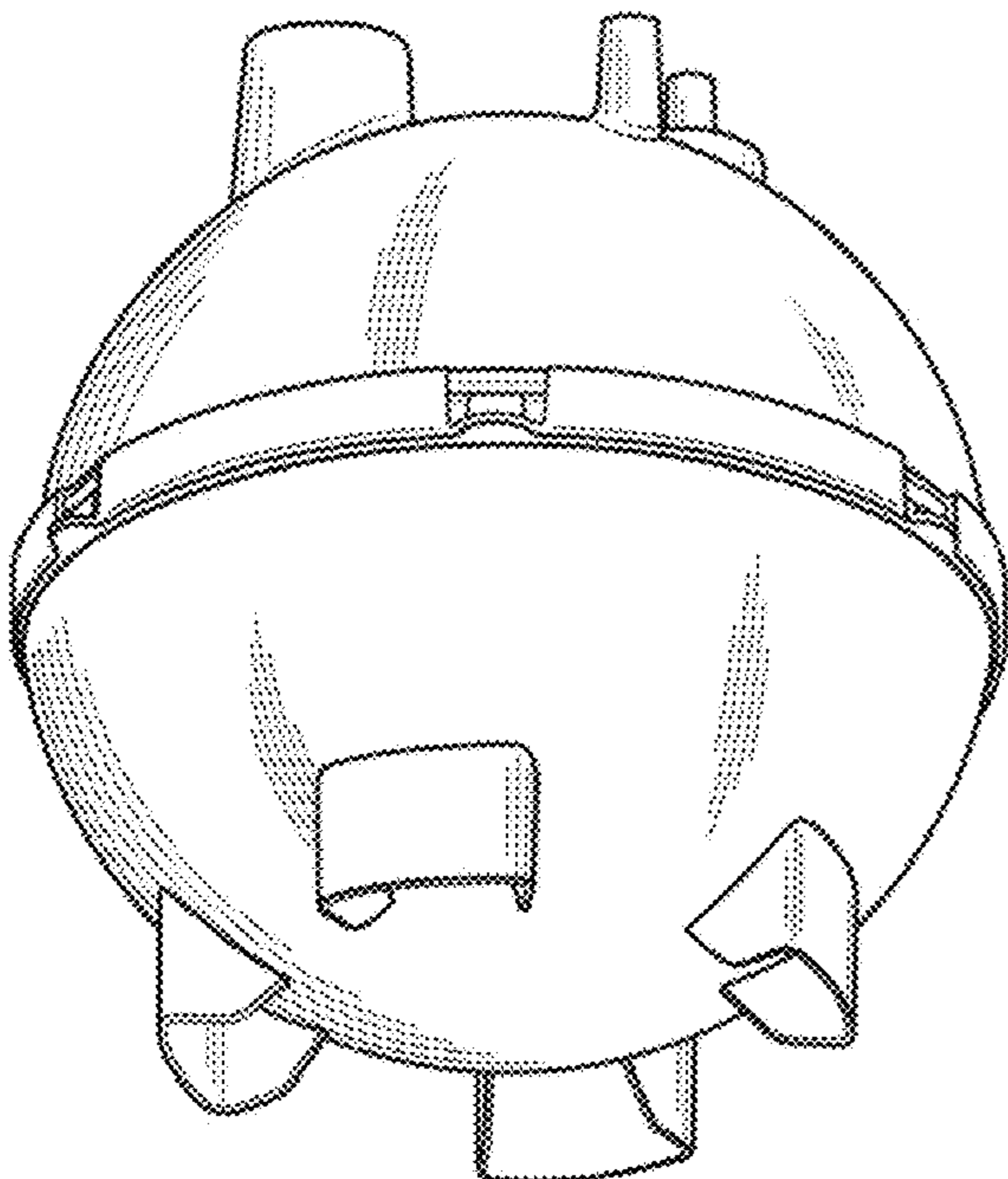
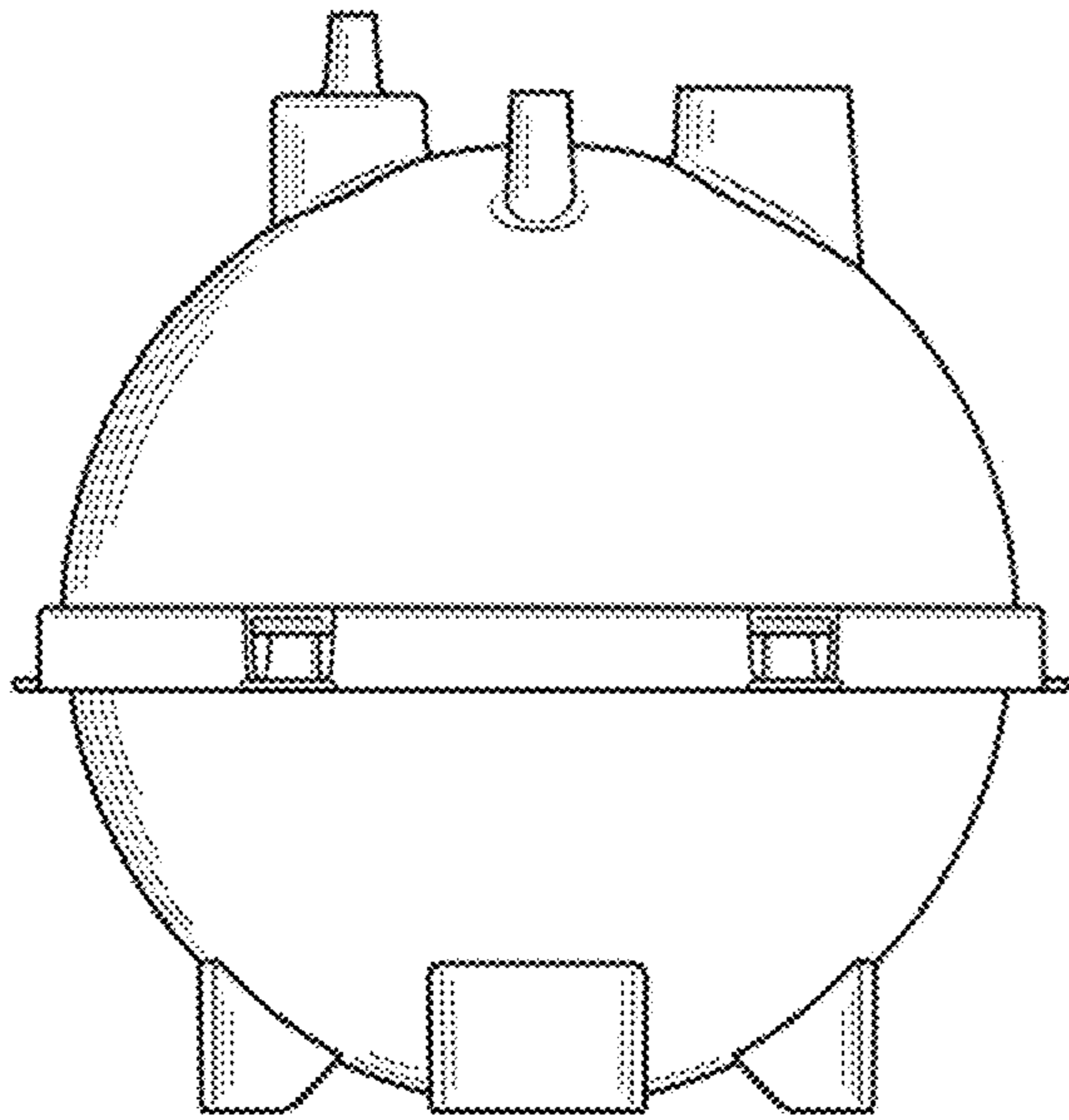
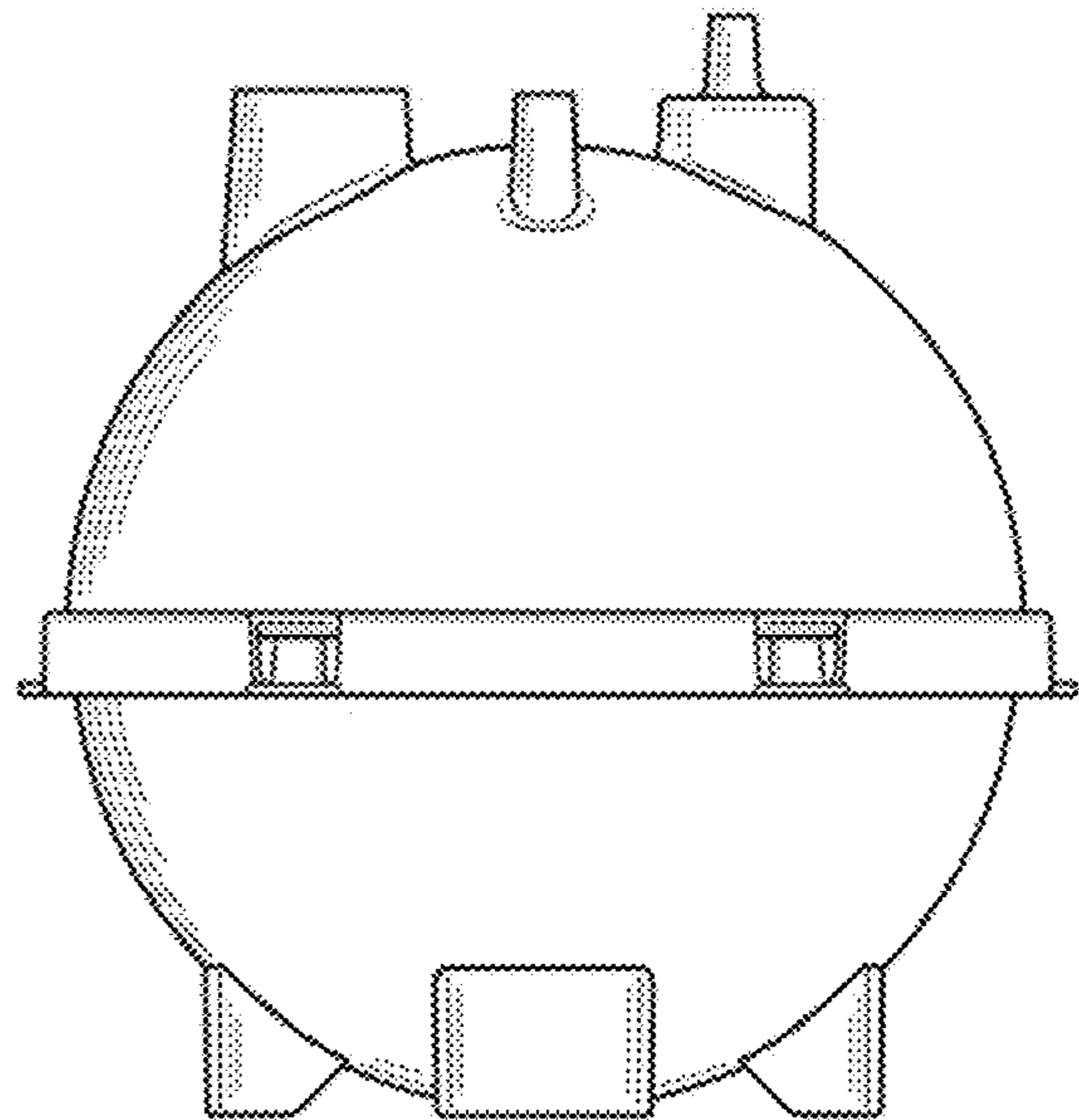


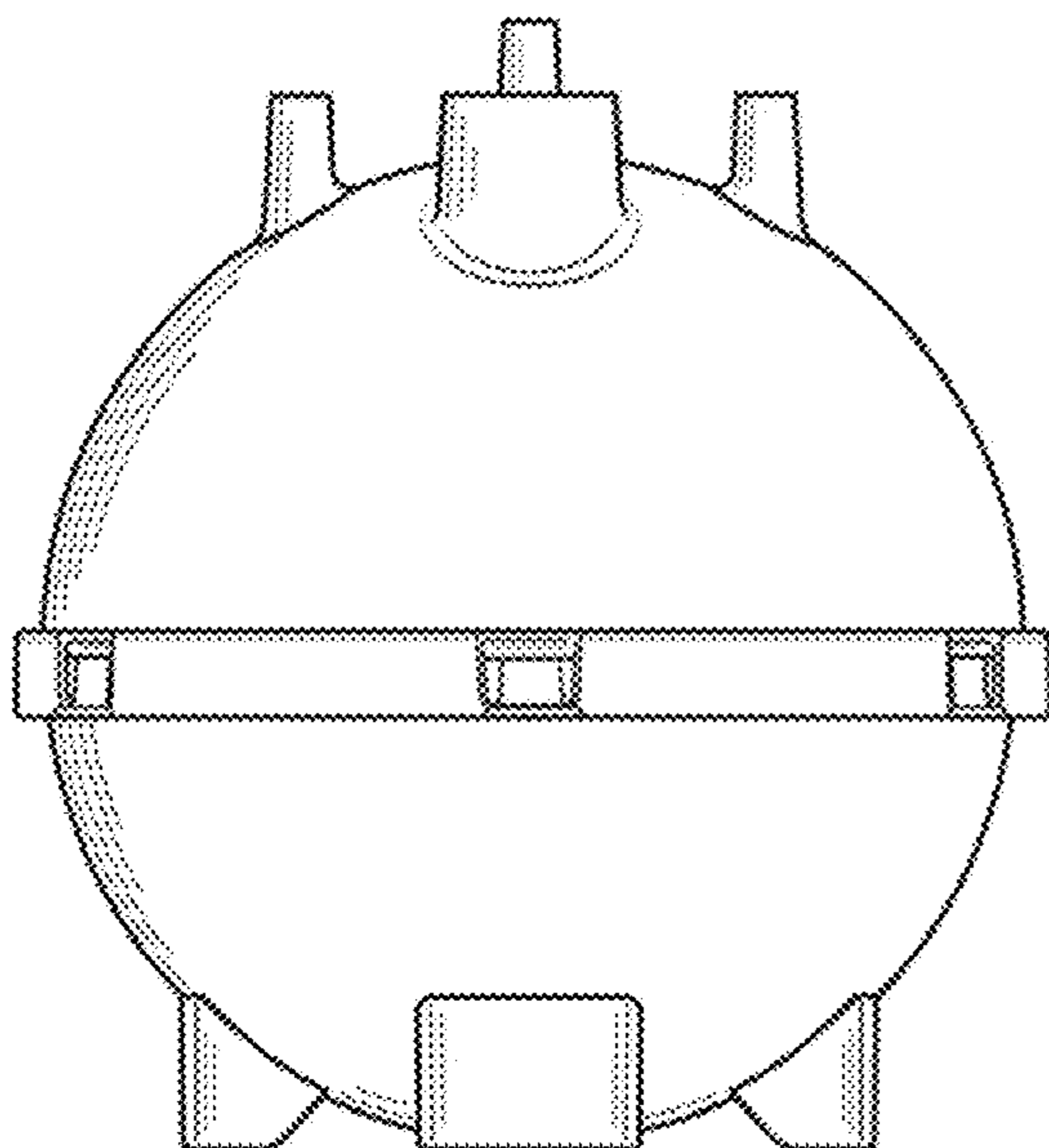
Fig. 3



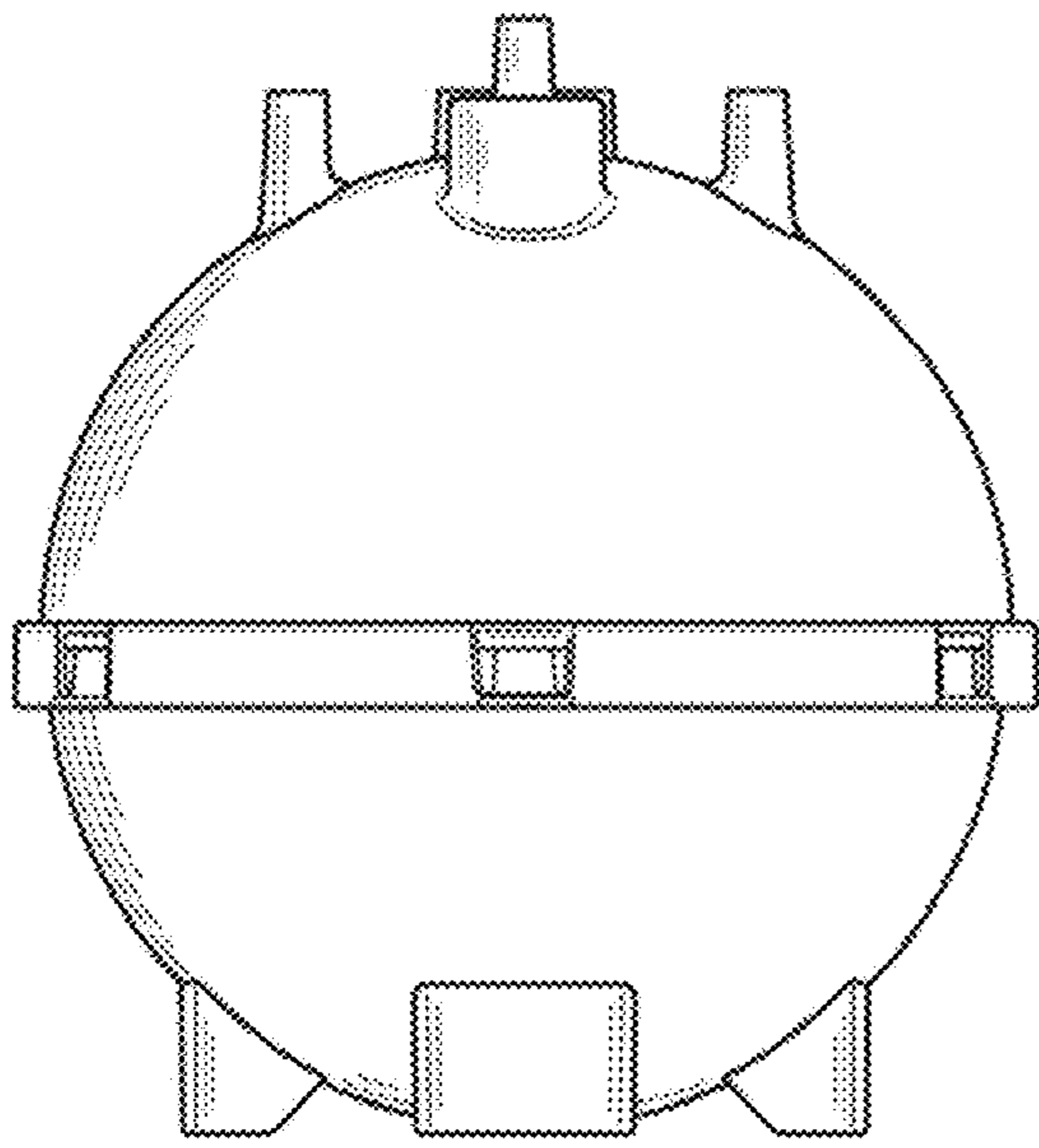
*Fig. 4*



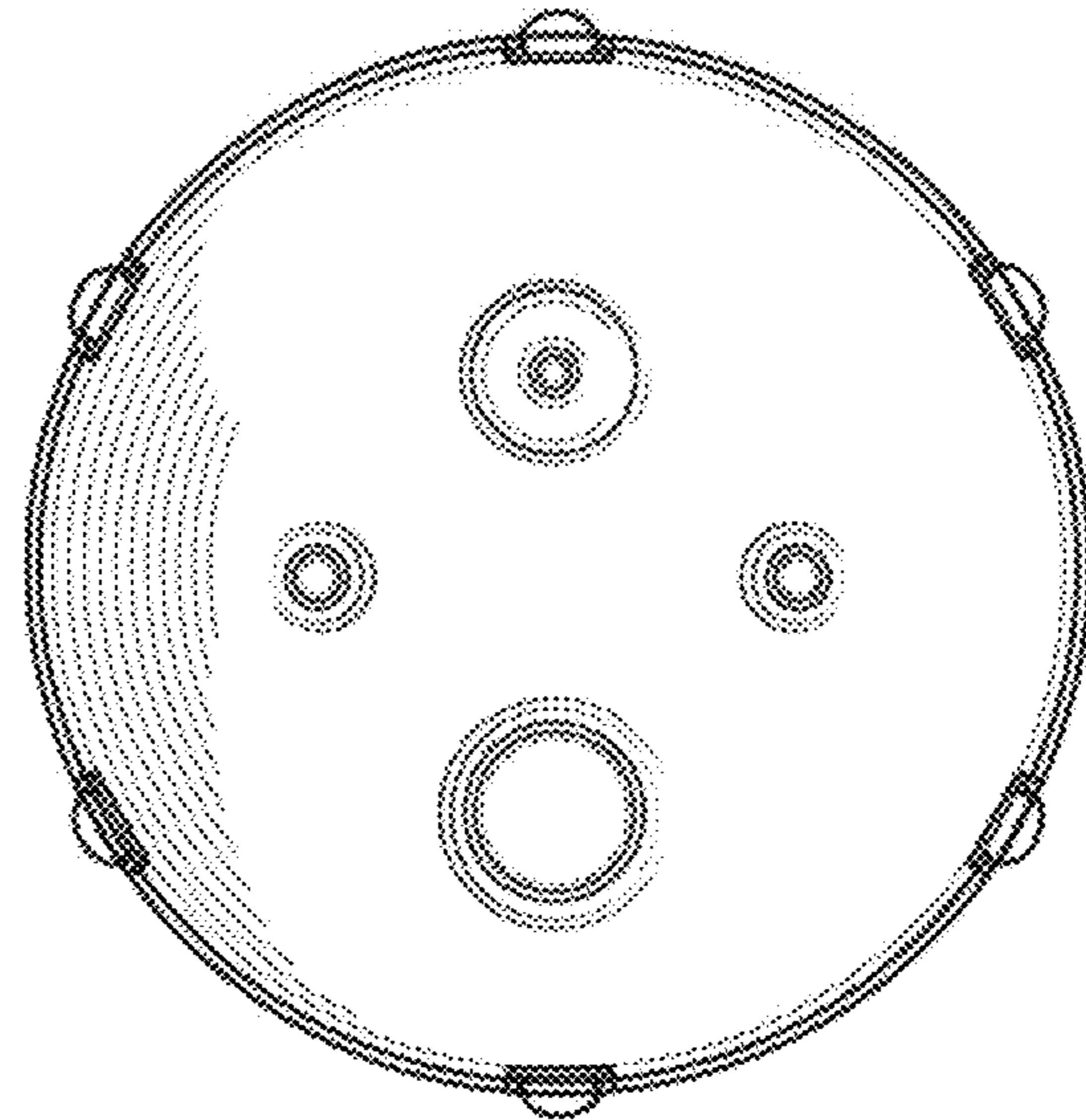
*Fig. 5*



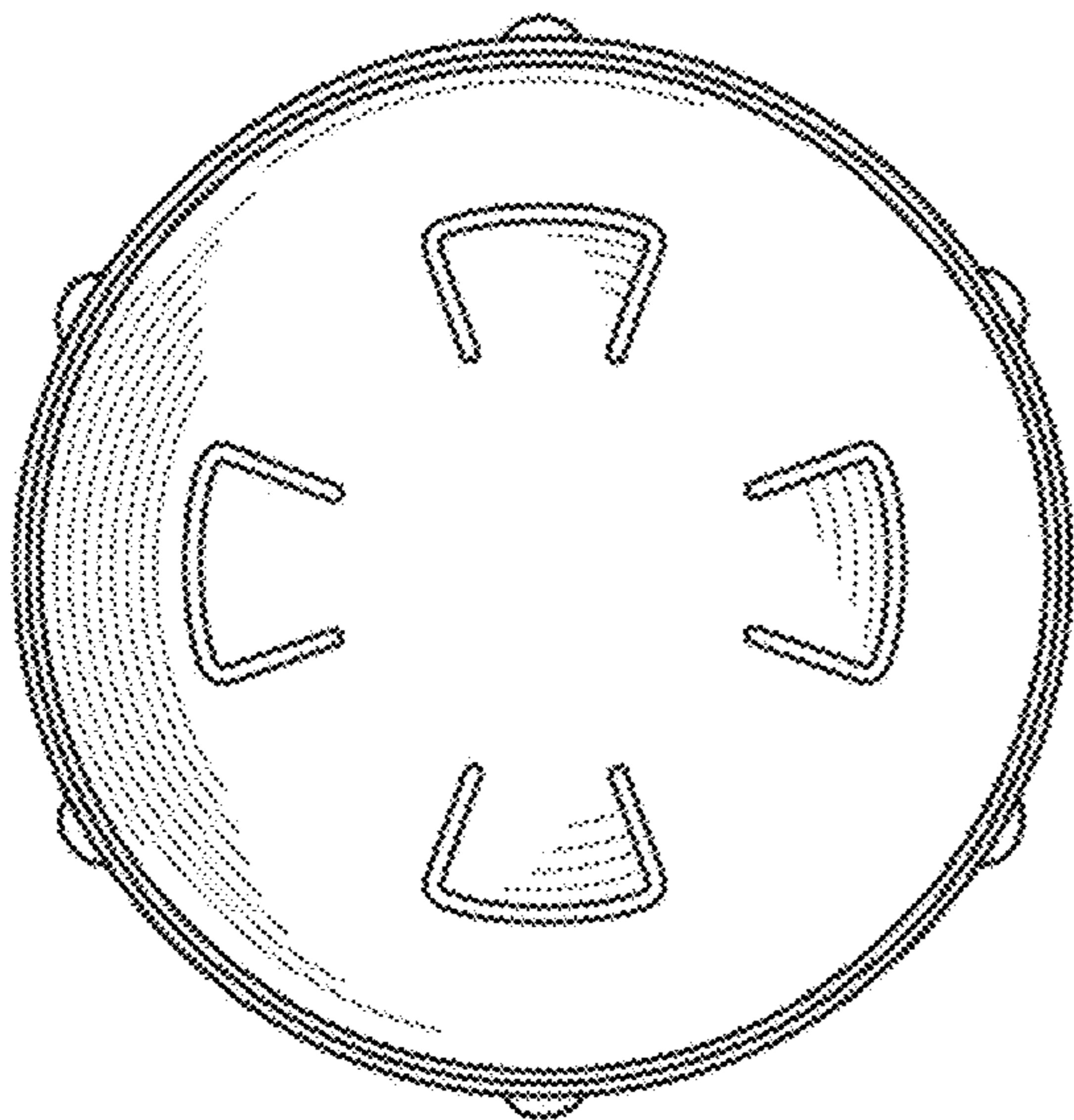
*Fig. 6*



*Fig. 7*



*Fig. 8*



*Fig. 9*