



US00D925724S

(12) **United States Design Patent** (10) **Patent No.:** **US D925,724 S**  
**Judson et al.** (45) **Date of Patent:** **\*\* Jul. 20, 2021**

(54) **RESPIRATORY MASK** D431,647 S \* 10/2000 Henderson ..... D24/110.1  
6,125,849 A \* 10/2000 Williams ..... A62B 23/025  
128/206.12  
(71) Applicant: **JSP Limited**, Oxford (GB) D449,377 S \* 10/2001 Henderson ..... D24/110.1  
D458,364 S \* 6/2002 Curran ..... D24/110.1  
(72) Inventors: **Matthew Neal Judson**, Oxford (GB); D567,365 S \* 4/2008 Brunell ..... D24/110.1  
**Gavin Christopher Shaw**, Oxford D567,937 S \* 4/2008 Gerson ..... D24/110.1  
(GB) D620,104 S \* 7/2010 Curran ..... D24/110.1  
D698,498 S \* 1/2014 Fleming ..... D29/108  
(73) Assignee: **JSP LIMITED**, Oxford (GB) D837,970 S \* 1/2019 Henderson ..... D24/110.1  
D899,585 S \* 10/2020 Judson ..... D24/110.1  
(\*\*) Term: **15 Years** 2002/0023651 A1\* 2/2002 Japuntich ..... A41D 13/11  
128/206.15  
(21) Appl. No.: **29/643,848** 2004/0237964 A1\* 12/2004 Bostock ..... A41D 13/11  
128/206.19  
(22) Filed: **Apr. 12, 2018** (Continued)

(30) **Foreign Application Priority Data**  
Oct. 12, 2017 (EM) ..... 004398584-03  
Oct. 12, 2017 (EM) ..... 004398584-10  
(51) **LOC (13) Cl.** ..... **29-02**  
(52) **U.S. Cl.**  
USPC ..... **D24/110.1**  
(58) **Field of Classification Search**  
USPC ..... D24/110, 110.1-110.4, 127, 162, 164;  
D29/102, 107, 108, 110, 129  
CPC ..... A62B 18/006; A62B 18/045; A62B 18/08;  
A62B 18/04; A62B 17/04; A62B 18/10;  
A62B 23/025; A62B 23/02; A62B 18/02;  
A62B 18/025; A62B 7/10; A62B 9/02;  
A62B 18/00; A42B 3/288; A42B 3/225;  
A42B 3/286; A61M 16/06; A61M  
16/0622  
See application file for complete search history.

(56) **References Cited**  
U.S. PATENT DOCUMENTS  
4,827,924 A \* 5/1989 Japuntich ..... A62B 23/02  
128/206.12  
D416,323 S \* 11/1999 Henderson ..... D24/110.1  
D424,688 S \* 5/2000 Bryant ..... D24/110.1

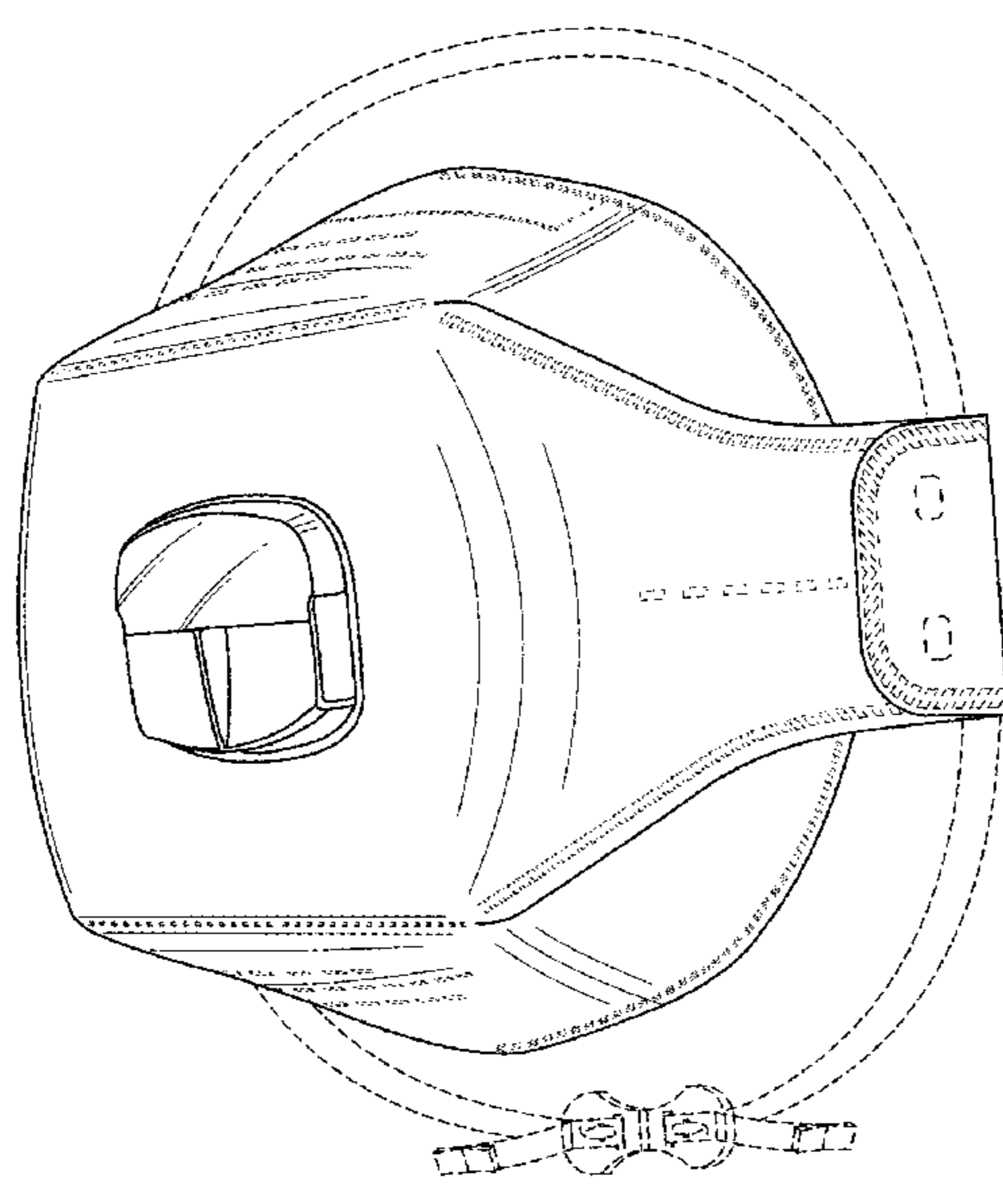
FOREIGN PATENT DOCUMENTS  
EM 001243430-0001 11/2010  
EM 003796317-0001 9/2017  
(Continued)

*Primary Examiner* — Lilyana Bekic  
(74) *Attorney, Agent, or Firm* — King & Schickli, PLLC

(57) **CLAIM**  
The ornamental design for a respiratory mask, as shown and described.

**DESCRIPTION**  
FIG. 1 is a front and right side perspective view of a respiratory mask showing our new design;  
FIG. 2 is a front view thereof;  
FIG. 3 is a rear view thereof;  
FIG. 4 is a top view thereof;  
FIG. 5 is a bottom view thereof;  
FIG. 6 is a right side view thereof; and,  
FIG. 7 is a left side view thereof.  
The broken lines in the drawings depict portions of the respiratory mask that form no part of the claimed design.

**1 Claim, 7 Drawing Sheets**



(56)

**References Cited**

U.S. PATENT DOCUMENTS

2004/0255946 A1\* 12/2004 Gerson ..... A41D 13/1123  
128/205.27  
2004/0261795 A1\* 12/2004 Brunell ..... A62B 18/10  
128/205.24  
2007/0157932 A1\* 7/2007 Cerbini ..... A41D 13/1138  
128/205.27  
2008/0271737 A1\* 11/2008 Facer ..... A41D 13/11  
128/205.25  
2008/0271740 A1\* 11/2008 Gloag ..... A41D 13/1123  
128/206.28  
2011/0139158 A1\* 6/2011 Xue ..... A62B 18/025  
128/206.15  
2016/0199675 A1\* 7/2016 Walker ..... A62B 23/025  
128/205.27  
2017/0258150 A1\* 9/2017 Abdulqader ..... A41D 13/1115  
2017/0311661 A1\* 11/2017 Henderson ..... A41D 13/1115  
2018/0035773 A1\* 2/2018 Wiegand-Hansen .....  
A45C 3/001  
2018/0353782 A1\* 12/2018 Vasiliev ..... A41D 13/1115  
2018/0368494 A1\* 12/2018 Henderson ..... A41D 13/1115  
2020/0268072 A1\* 8/2020 Judson ..... A41D 13/1138

FOREIGN PATENT DOCUMENTS

JP D1149278 8/2002  
JP D1149279 7/2005  
TW 160745 6/1991

\* cited by examiner

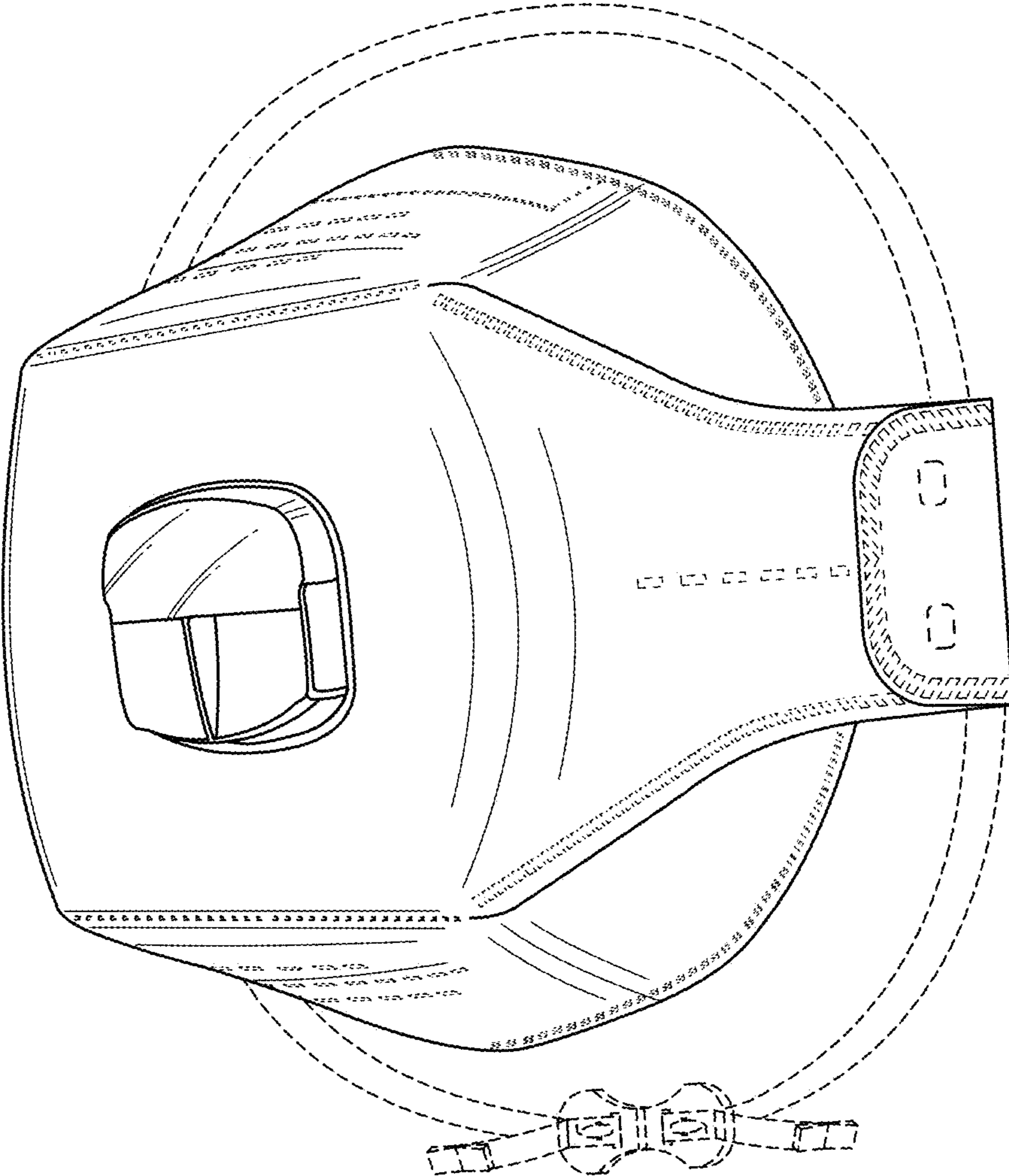


FIG. 1

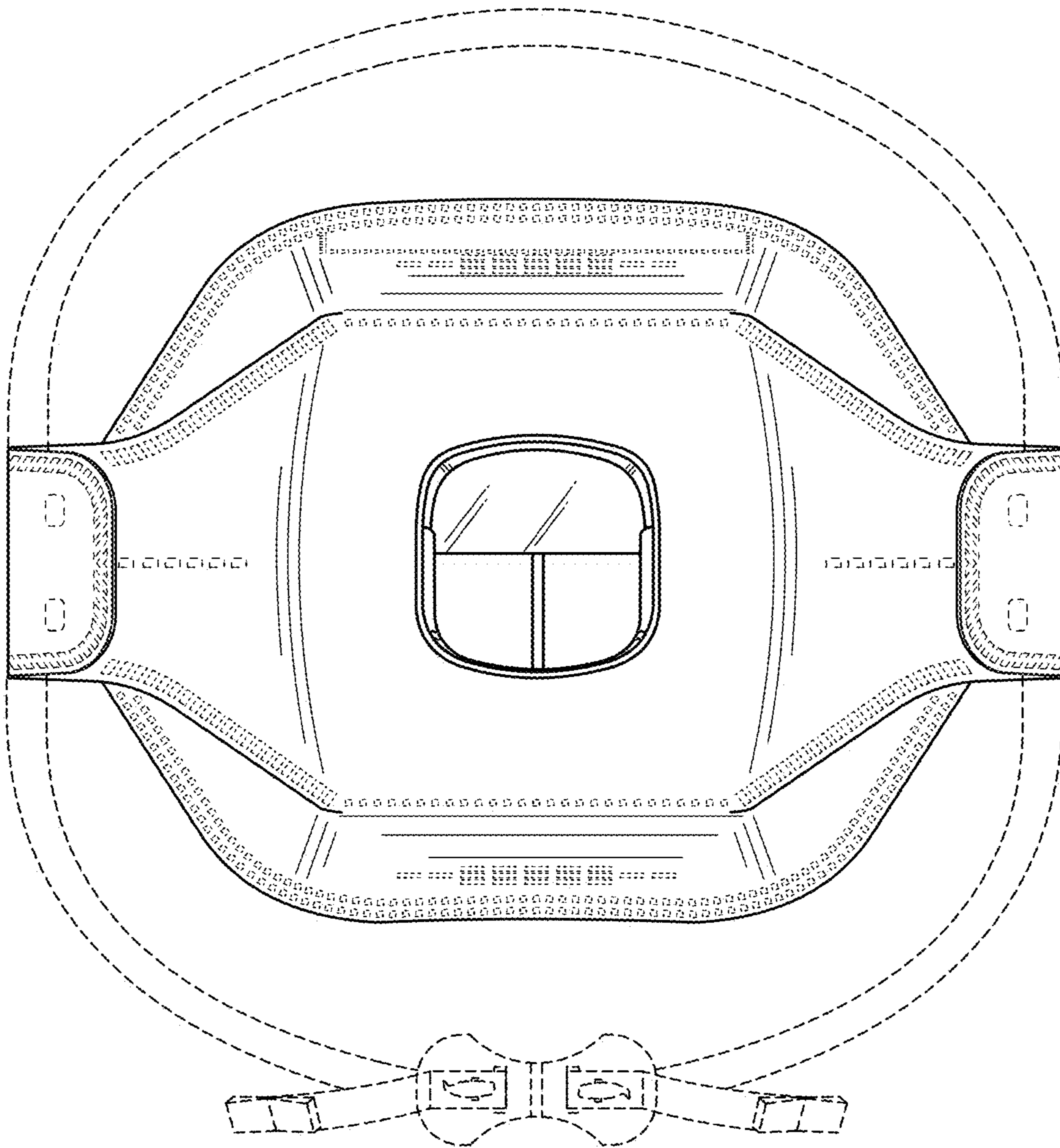


FIG. 2



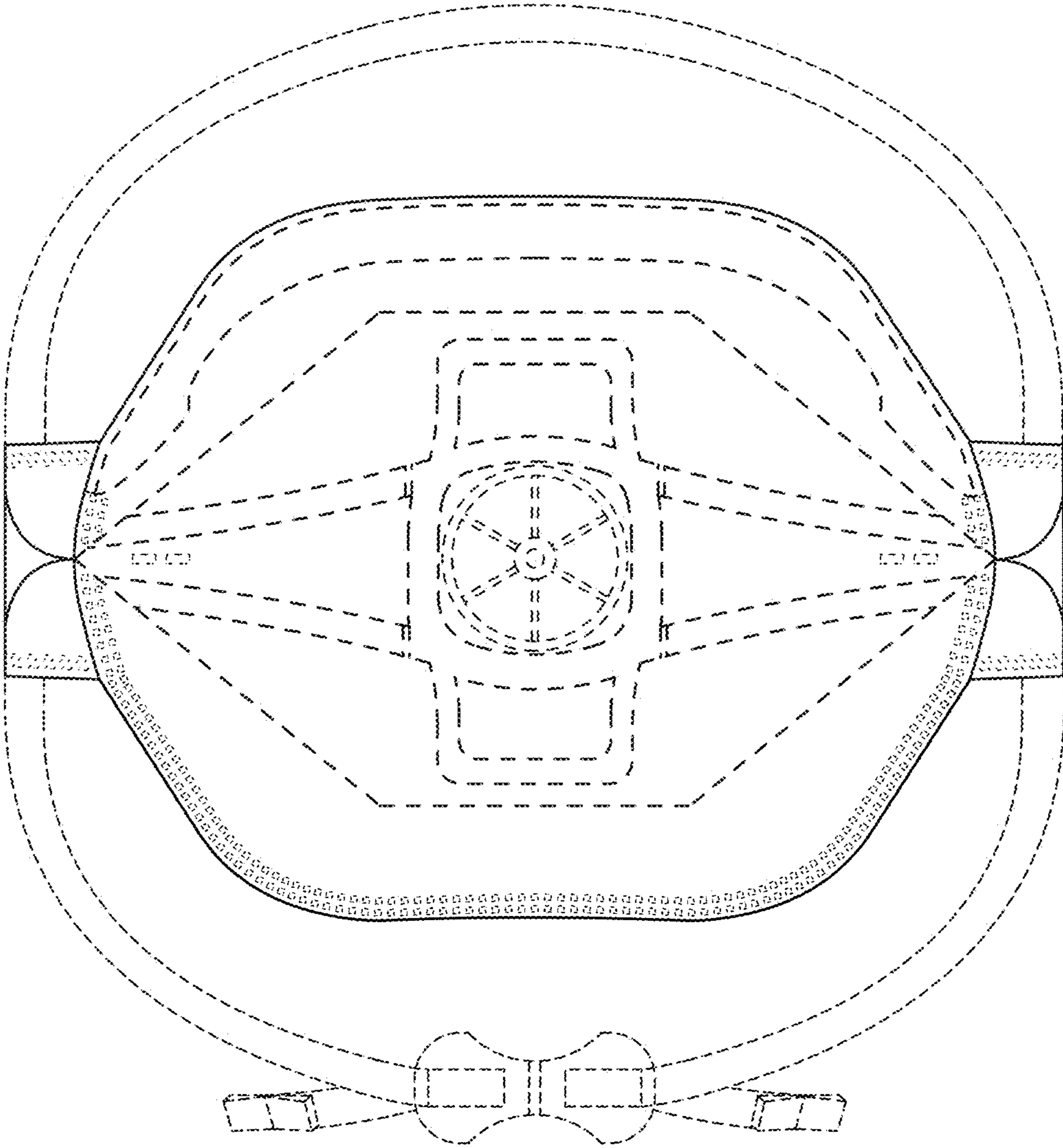


FIG. 3

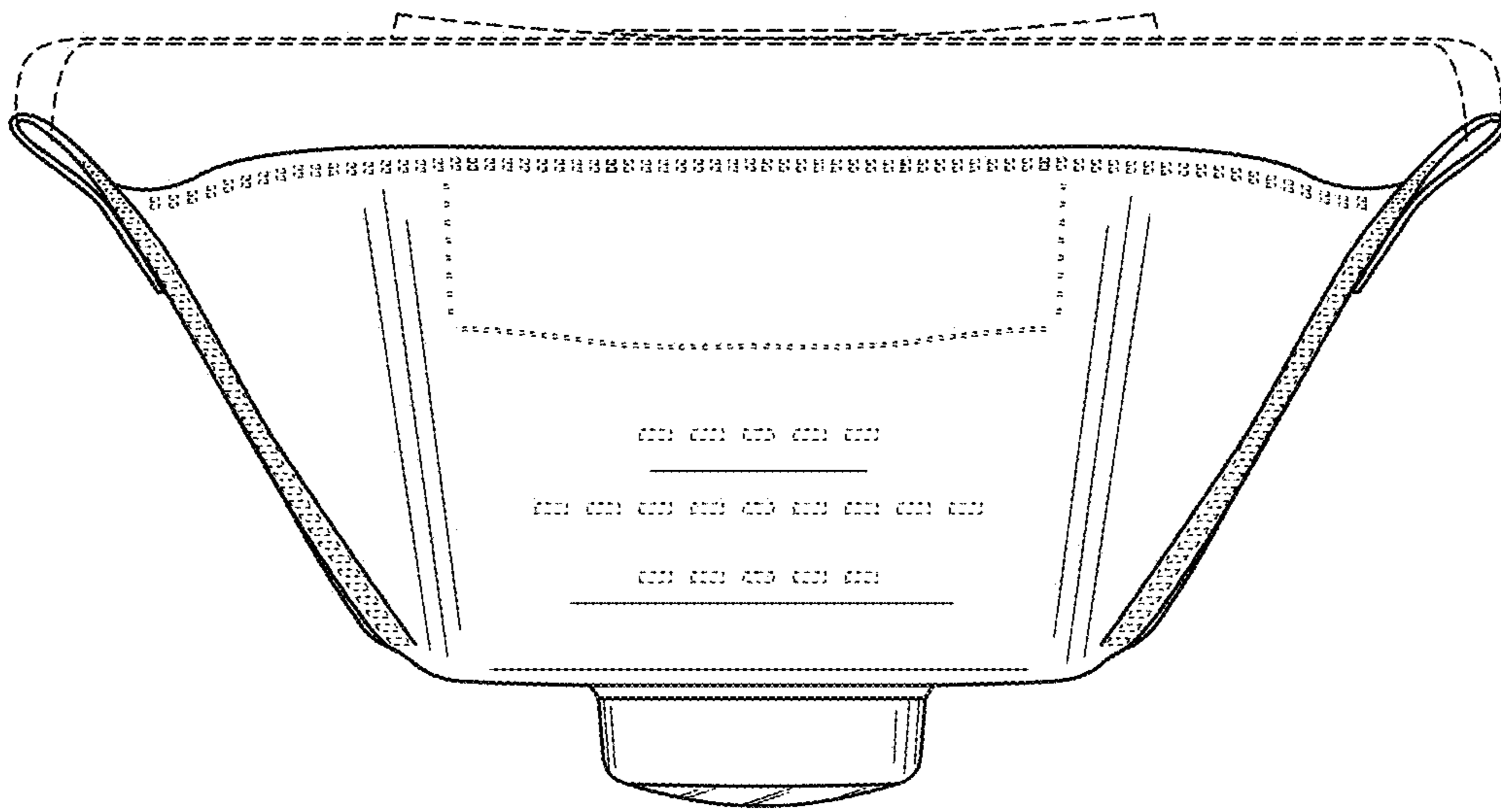


FIG. 4

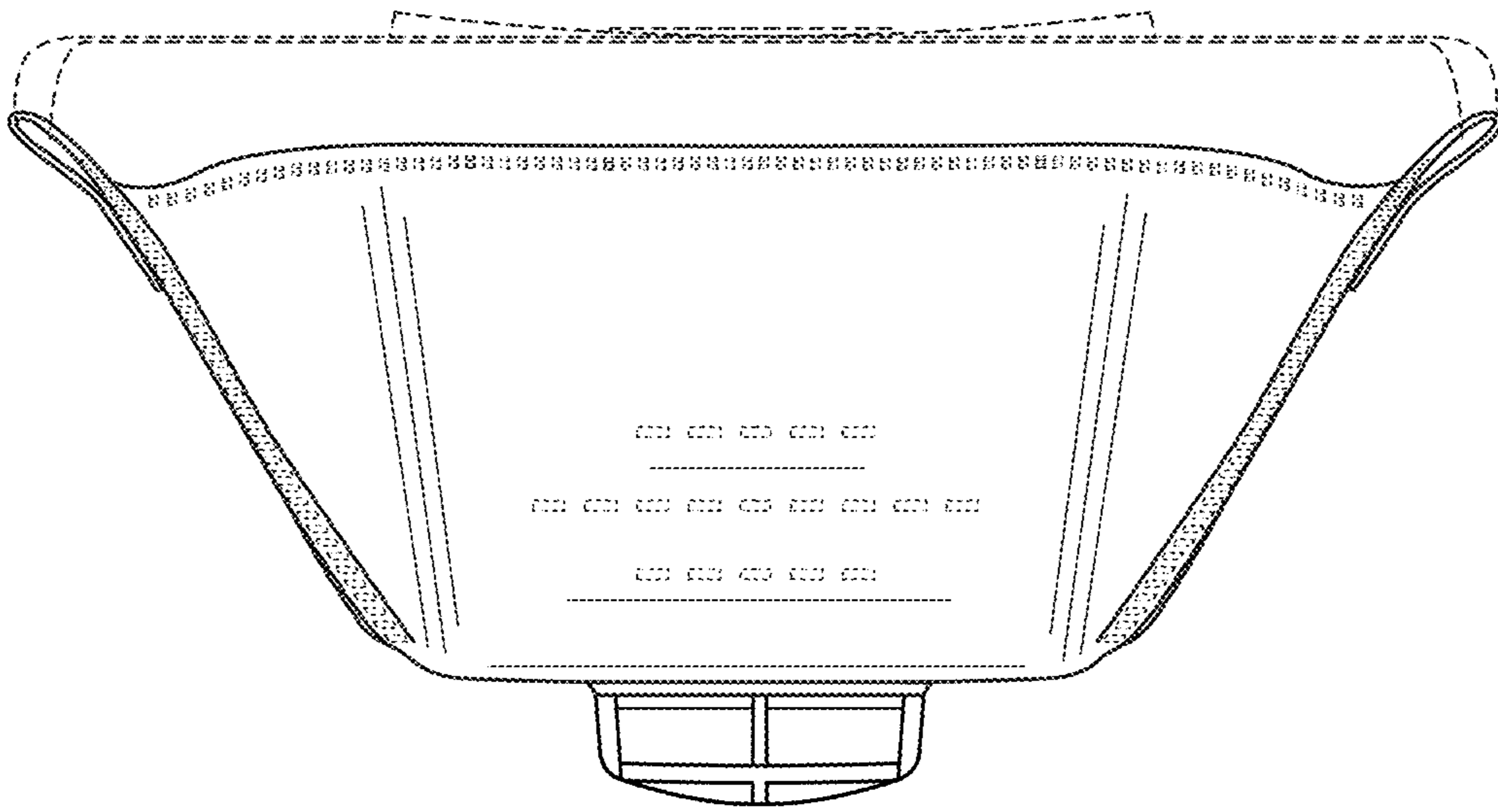


FIG. 5

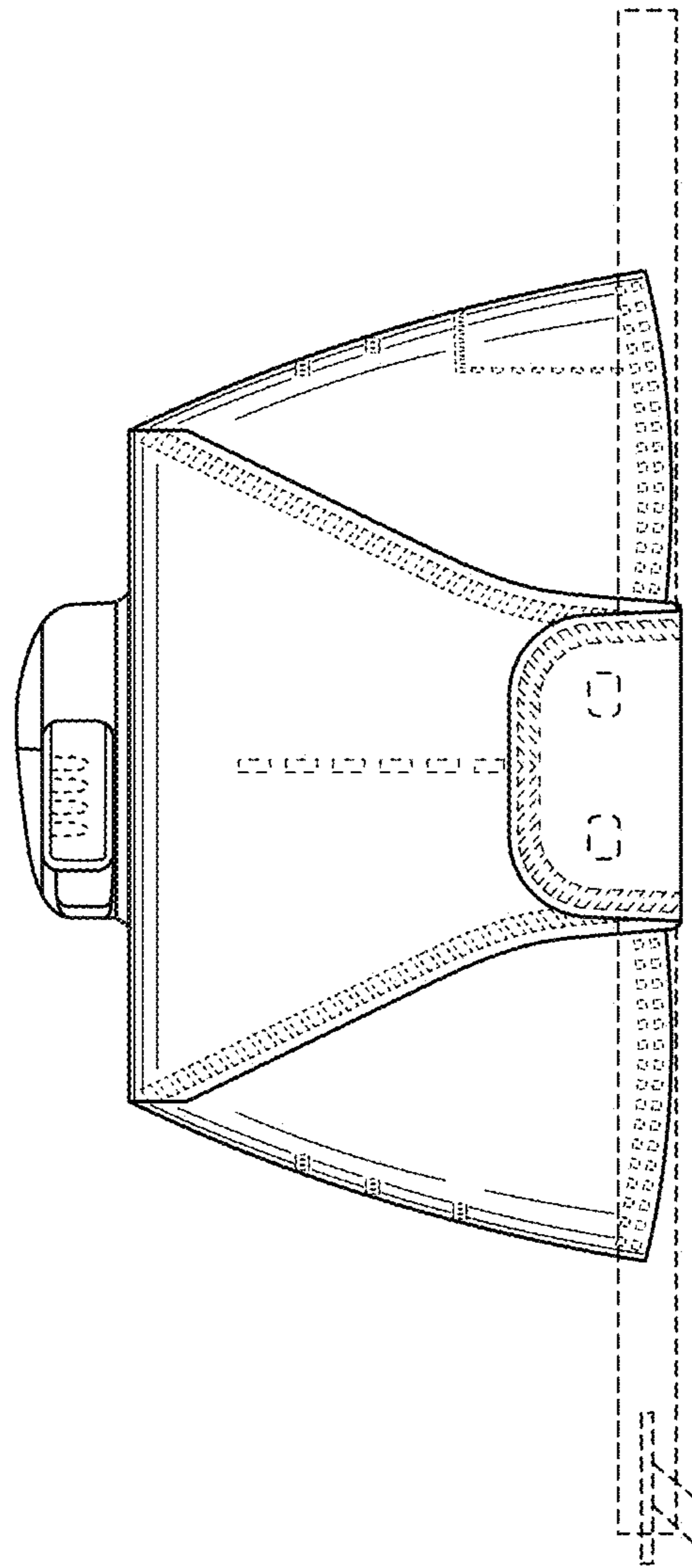


FIG. 6



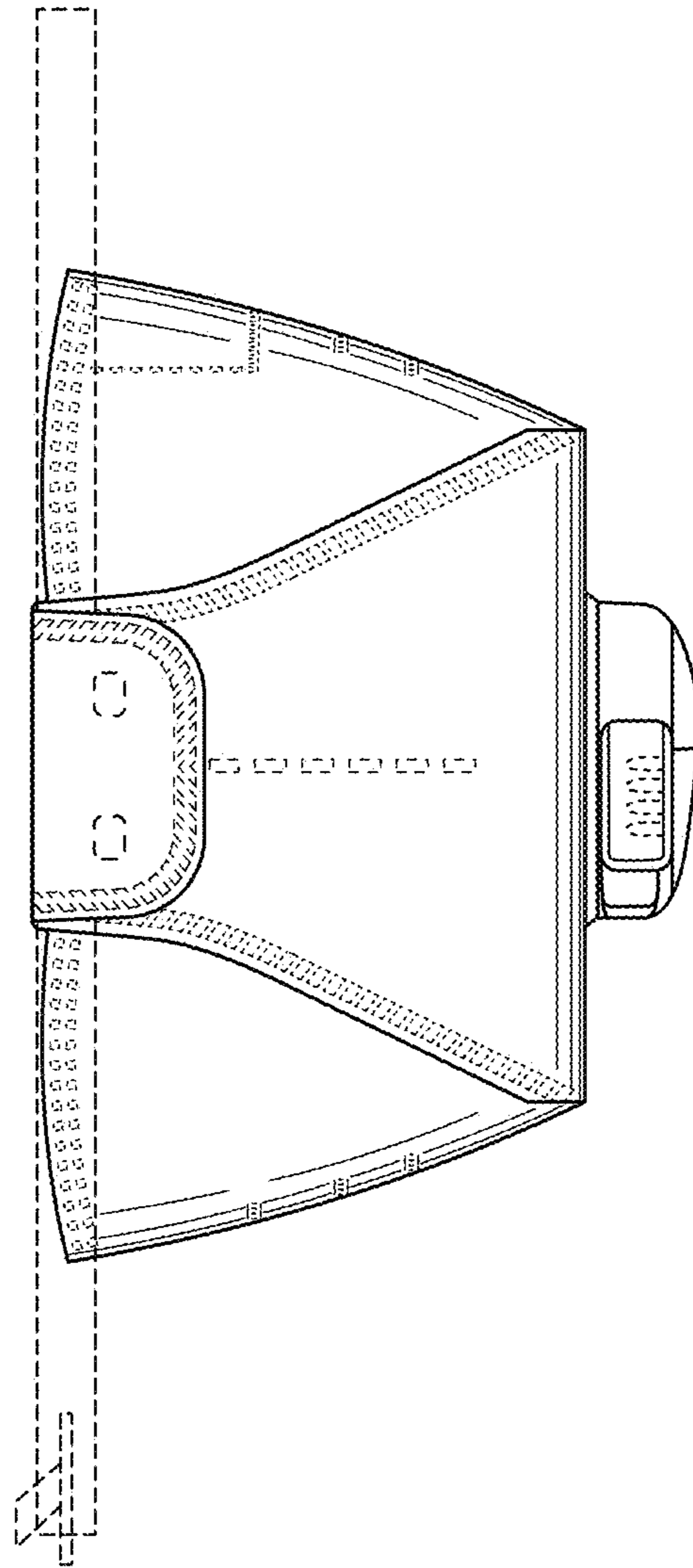


FIG. 7