



US00D925722S

(12) **United States Design Patent**
Dorsey

(10) **Patent No.:** **US D925,722 S**

(45) **Date of Patent:** **** Jul. 20, 2021**

- (54) **FIREPLACE SURROUND**
- (71) Applicant: **CHAD DORSEY DESIGN LLC**,
Dallas, TX (US)
- (72) Inventor: **Chad Dorsey**, Dallas, TX (US)
- (73) Assignee: **CHAD DORSEY DESIGN LLC**,
Dallas, TX (US)
- (**) Term: **15 Years**
- (21) Appl. No.: **29/729,047**
- (22) Filed: **Mar. 24, 2020**
- (51) **LOC (13) Cl.** **23-03**
- (52) **U.S. Cl.**
USPC **D23/404**
- (58) **Field of Classification Search**
USPC D23/403, 404, 409, 415, 416
CPC F24B 1/18; F24B 1/1804; F24B 1/1808;
F24B 1/195; F24B 1/197; F24B 1/198;
F24C 3/006
See application file for complete search history.

- 2,875,747 A * 3/1959 Fish F24B 1/18
126/512
- D300,356 S 3/1989 Becker
- D300,461 S 3/1989 Becker
- D300,943 S 5/1989 Heger
- D300,944 S 5/1989 Heger
- 4,945,692 A * 8/1990 Gallier E04F 19/005
52/315
- D318,914 S 8/1991 Becker
- 5,718,272 A * 2/1998 Brazell F24B 1/198
160/39
- D407,577 S * 4/1999 Dorst D6/658
(Continued)

OTHER PUBLICATIONS

“Tommy Bahama Island Fusion Console Table”, Sep. 26, 2017, Wayfair, Site visited May 3, 2021: <https://www.wayfair.com/furniture/pdp/tommy-bahama-home-island-fusion-turtle-console-table-tbl2244.html> (Year: 2017).*

(Continued)

Primary Examiner — Jack Reickel
Assistant Examiner — Bobby W Jones, II
(74) *Attorney, Agent, or Firm* — Hemingway & Hansen, LLP; D. Scott Hemingway; Elizabeth P. Hartman

(57) **CLAIM**

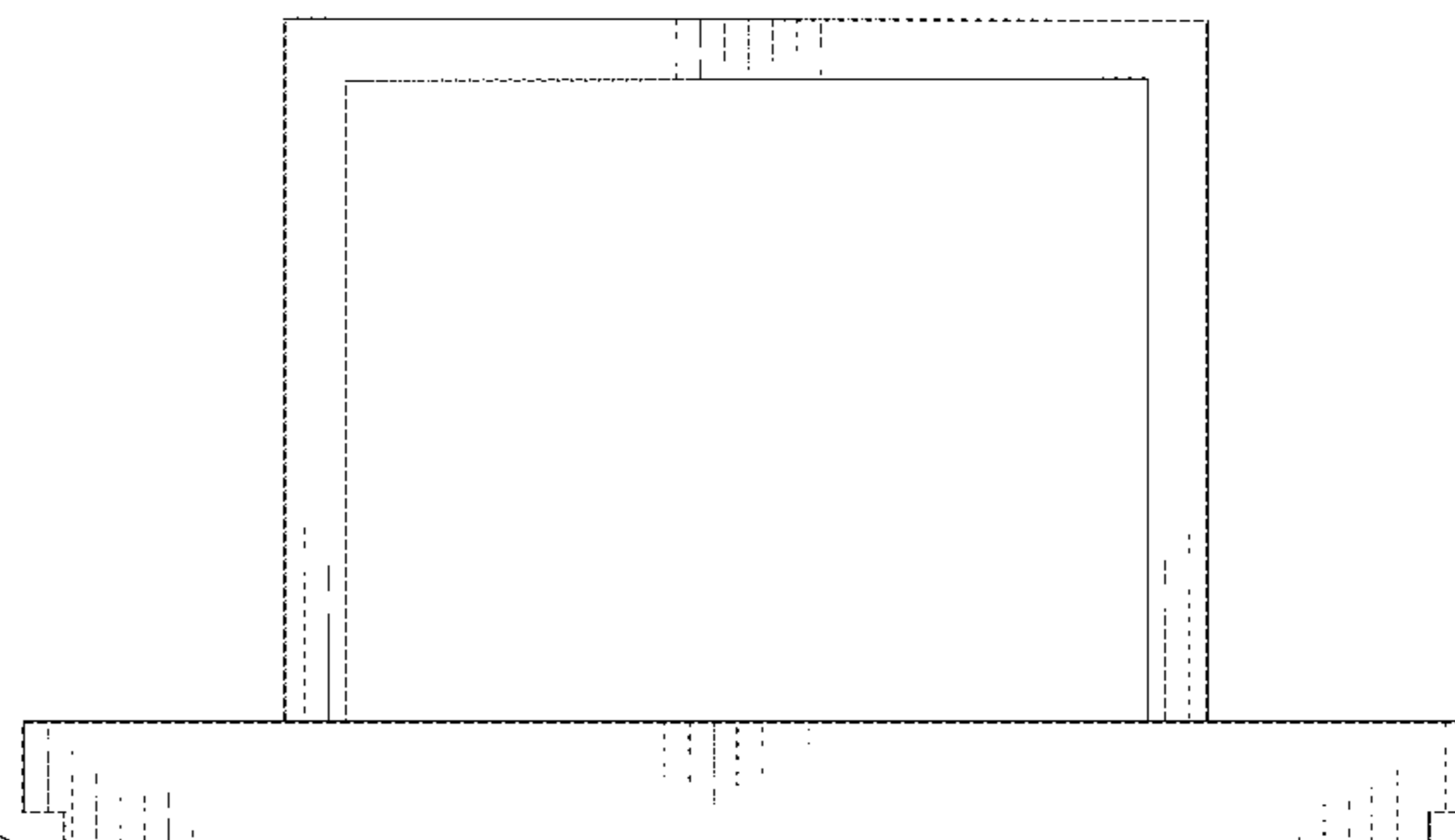
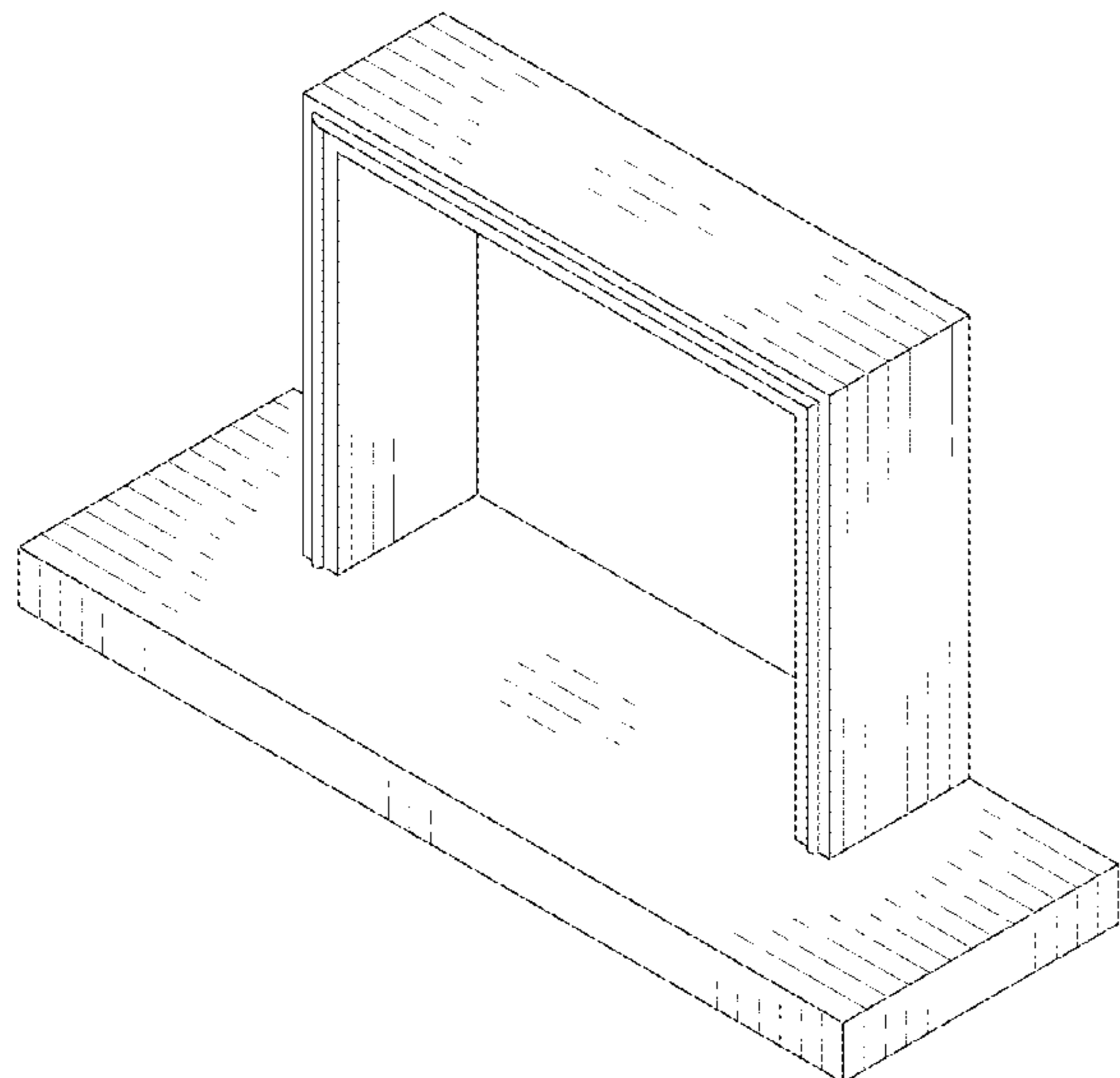
The ornamental design for a fireplace surround, as shown and described.

DESCRIPTION

FIG. 1 is a front perspective view of a fireplace surround of the present application;
FIG. 2 is a front elevation view of FIG. 1;
FIG. 3 is a rear elevation view of FIG. 1;
FIG. 4 is a top view of FIG. 1;
FIG. 5 is a bottom view of FIG. 1;
FIG. 6 is a left side view of FIG. 1; and,
FIG. 7 is a right side view of FIG. 1.

1 Claim, 4 Drawing Sheets

- (56) **References Cited**
U.S. PATENT DOCUMENTS
1,479 A * 1/1840 Crosley F24B 1/18
126/500
3,826 A * 11/1844 Gilbert F24B 1/18
126/500
269,772 A * 12/1882 Woolfenden F24B 1/198
52/36.3
1,543,748 A * 6/1925 Brown F24B 1/195
126/553
D90,908 S * 10/1933 Beauchamp D6/664
D108,009 S * 1/1938 Baum D23/404
D108,148 S * 1/1938 Baum D23/404
2,154,939 A * 4/1939 Howe F24B 1/198
126/531
2,210,580 A * 8/1940 Gersten F24B 1/195
446/480



(56)

References Cited

U.S. PATENT DOCUMENTS

6,029,731 A * 2/2000 Brazell F24B 1/198
 160/352
 D516,196 S 2/2006 Johnson
 D519,202 S * 4/2006 Lyons D23/404
 D526,403 S 8/2006 Hills
 D529,599 S 10/2006 Hills
 D532,898 S 11/2006 Hills
 D532,899 S 11/2006 Hills
 D532,900 S 11/2006 Hills
 D534,271 S 12/2006 Hills
 D535,382 S 1/2007 Hills
 D539,412 S 3/2007 Hills
 D688,365 S * 8/2013 Hadi D23/404
 D828,537 S * 9/2018 Chen D23/404
 D828,538 S * 9/2018 Chen D23/404
 D828,539 S * 9/2018 Chen D23/404

2005/0050805 A1* 3/2005 Lyons E04F 19/00
 52/36.3
 2005/0050806 A1* 3/2005 Lyons F23N 5/203
 52/36.3
 2005/0076902 A1* 4/2005 Lyons F24B 1/18
 126/500
 2005/0198914 A1* 9/2005 Lyons F24B 1/198
 52/36.3
 2009/0038606 A1* 2/2009 Weinberger F24B 1/195
 126/552
 2010/0307477 A1* 12/2010 Gallo F24B 1/18
 126/500

OTHER PUBLICATIONS

“Muskoka 257-80-213 Electric Fireplace”, Sep. 6, 2017, Amazon, site visited May 3, 2021: <https://www.amazon.ca/dp/B075FD86JJ/> (Year: 2017).*

* cited by examiner

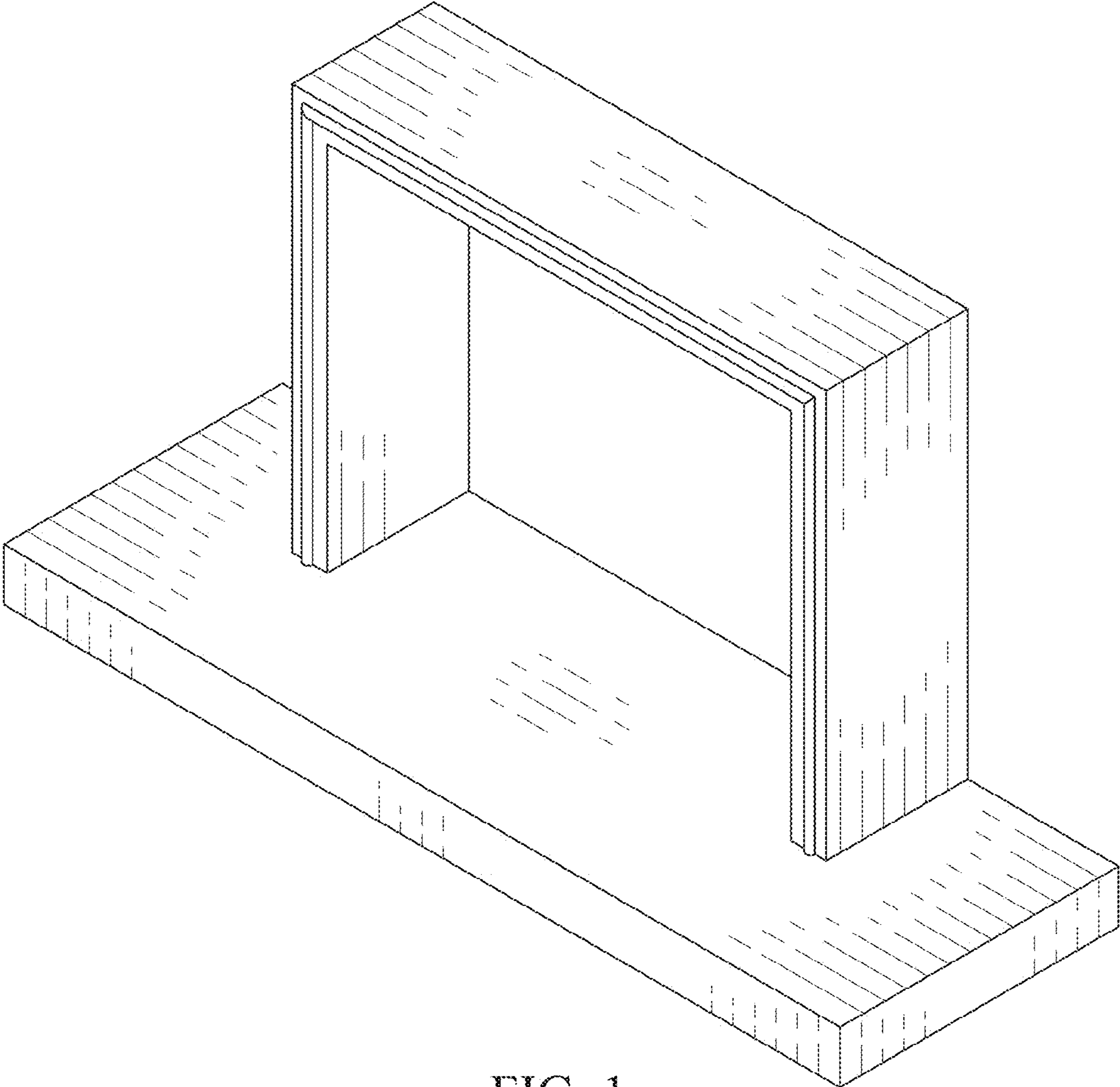


FIG. 1

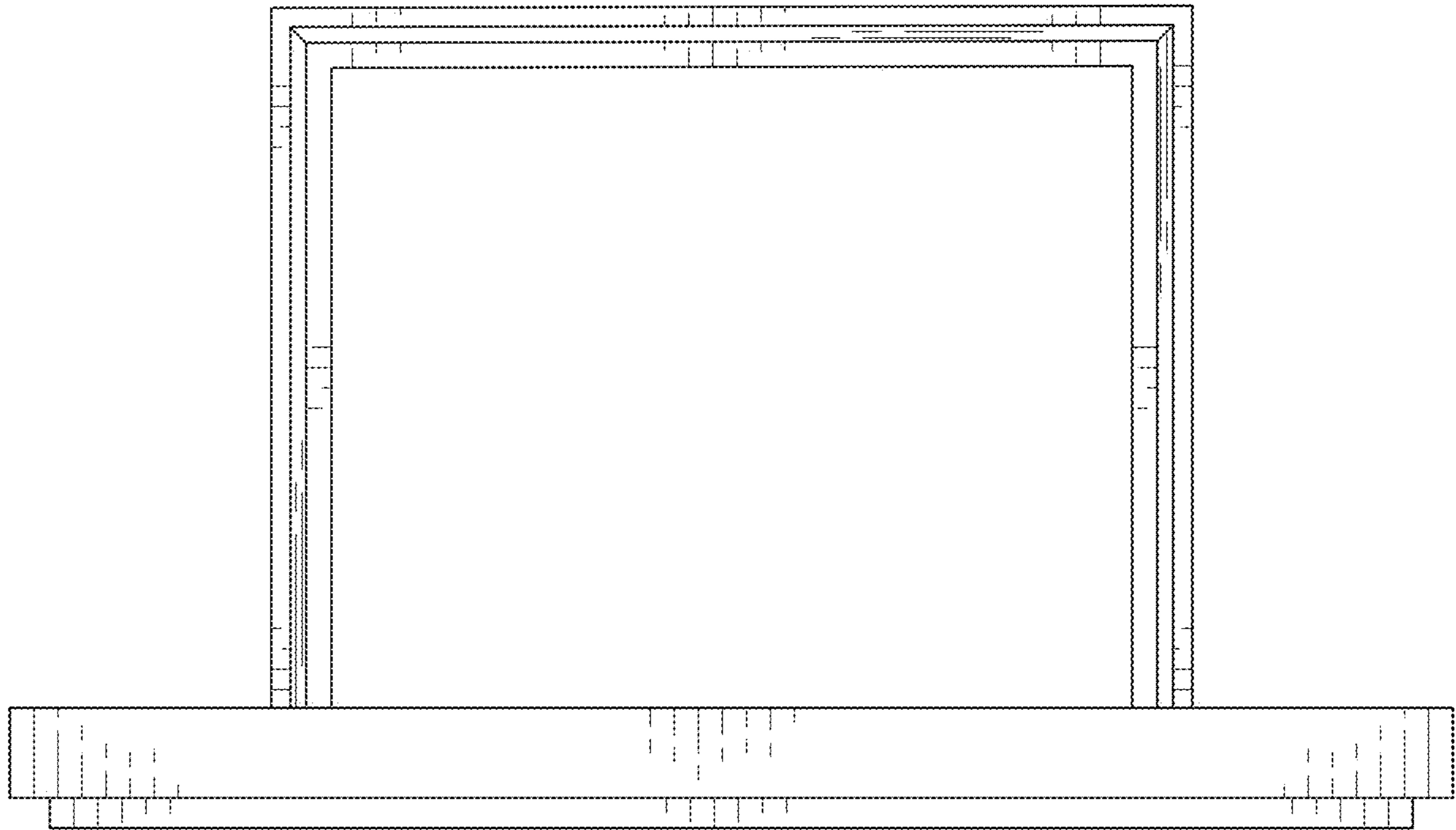


FIG. 2

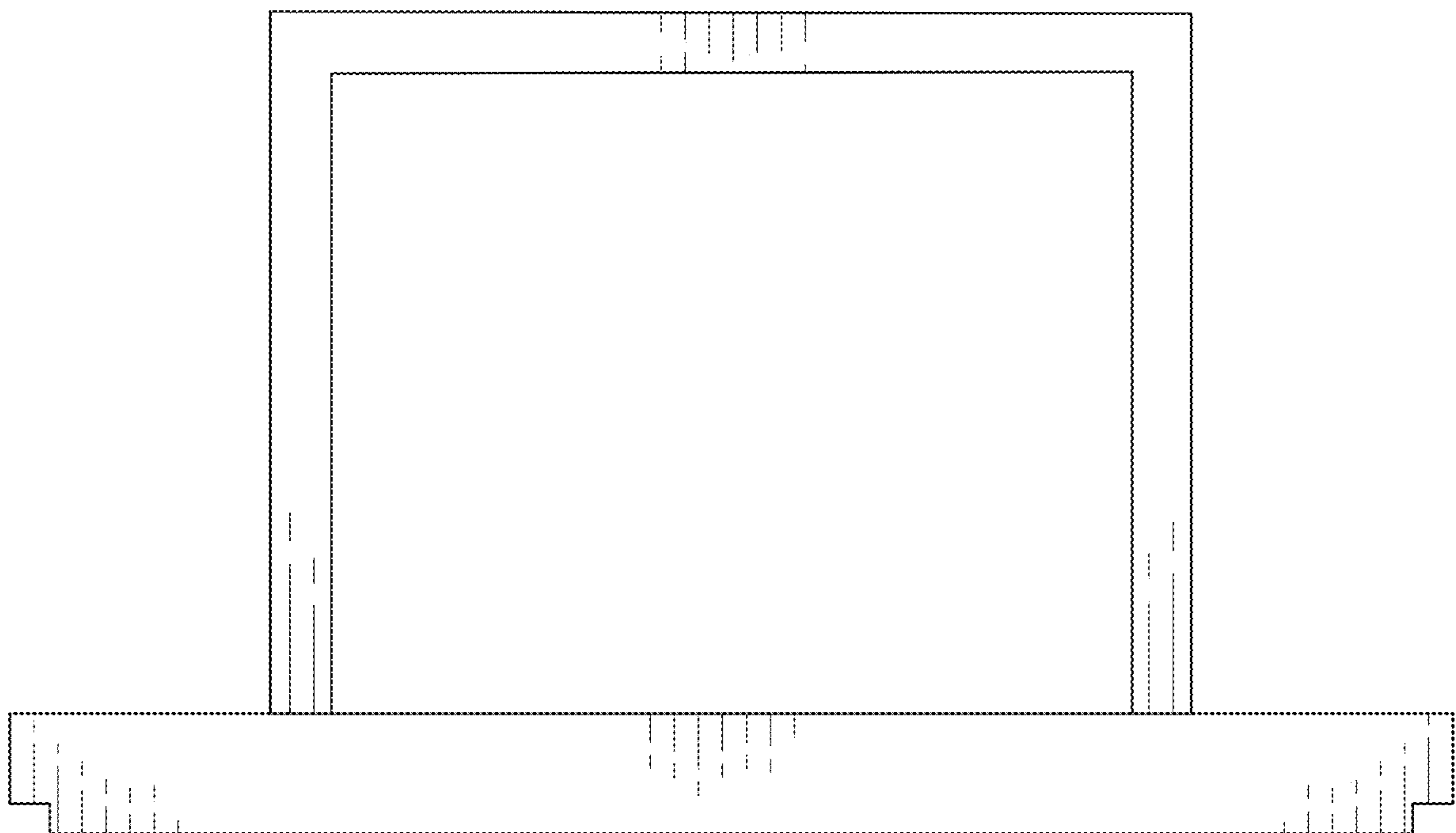


FIG. 3

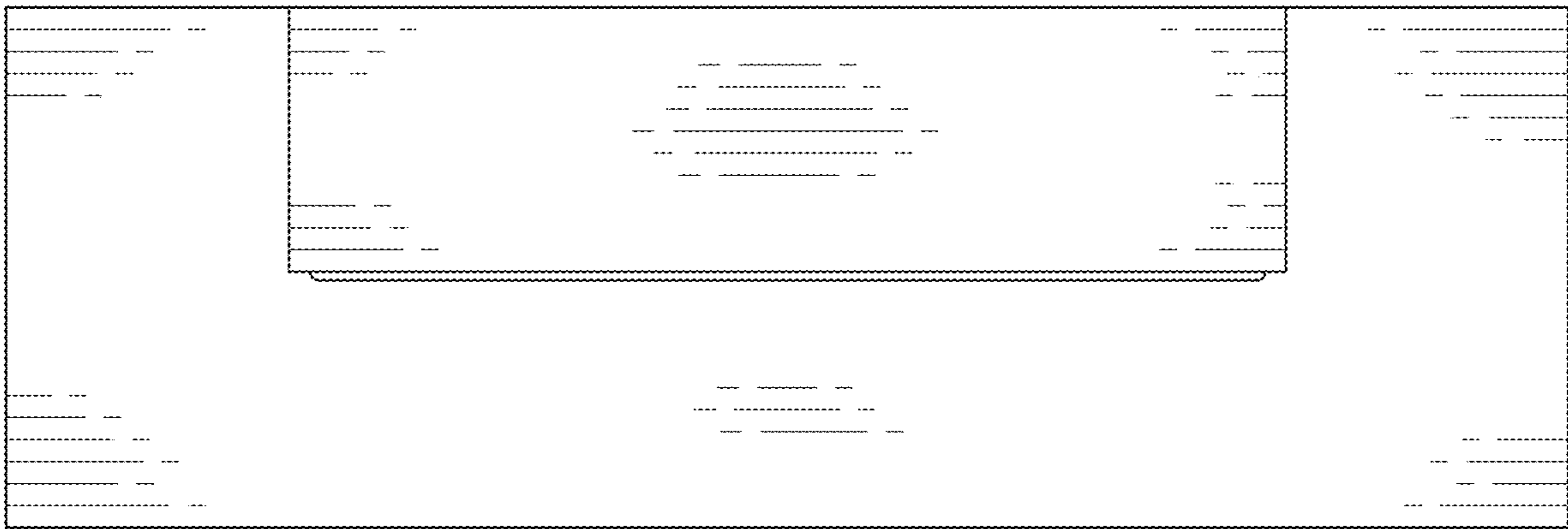


FIG. 4

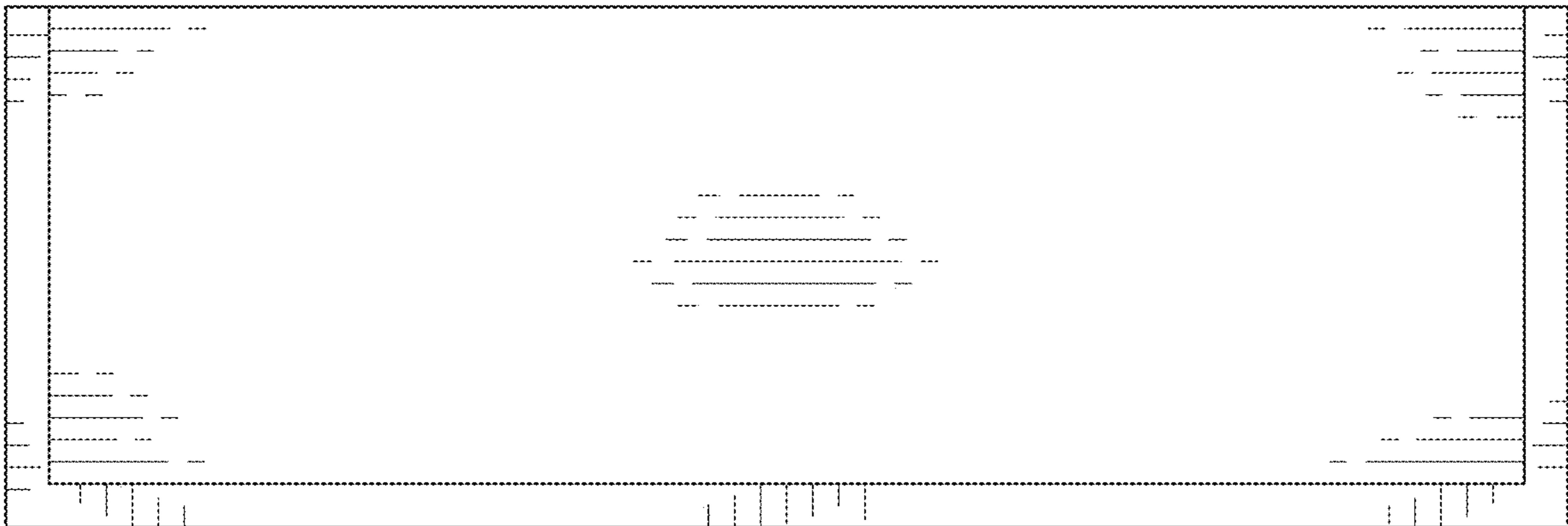


FIG. 5

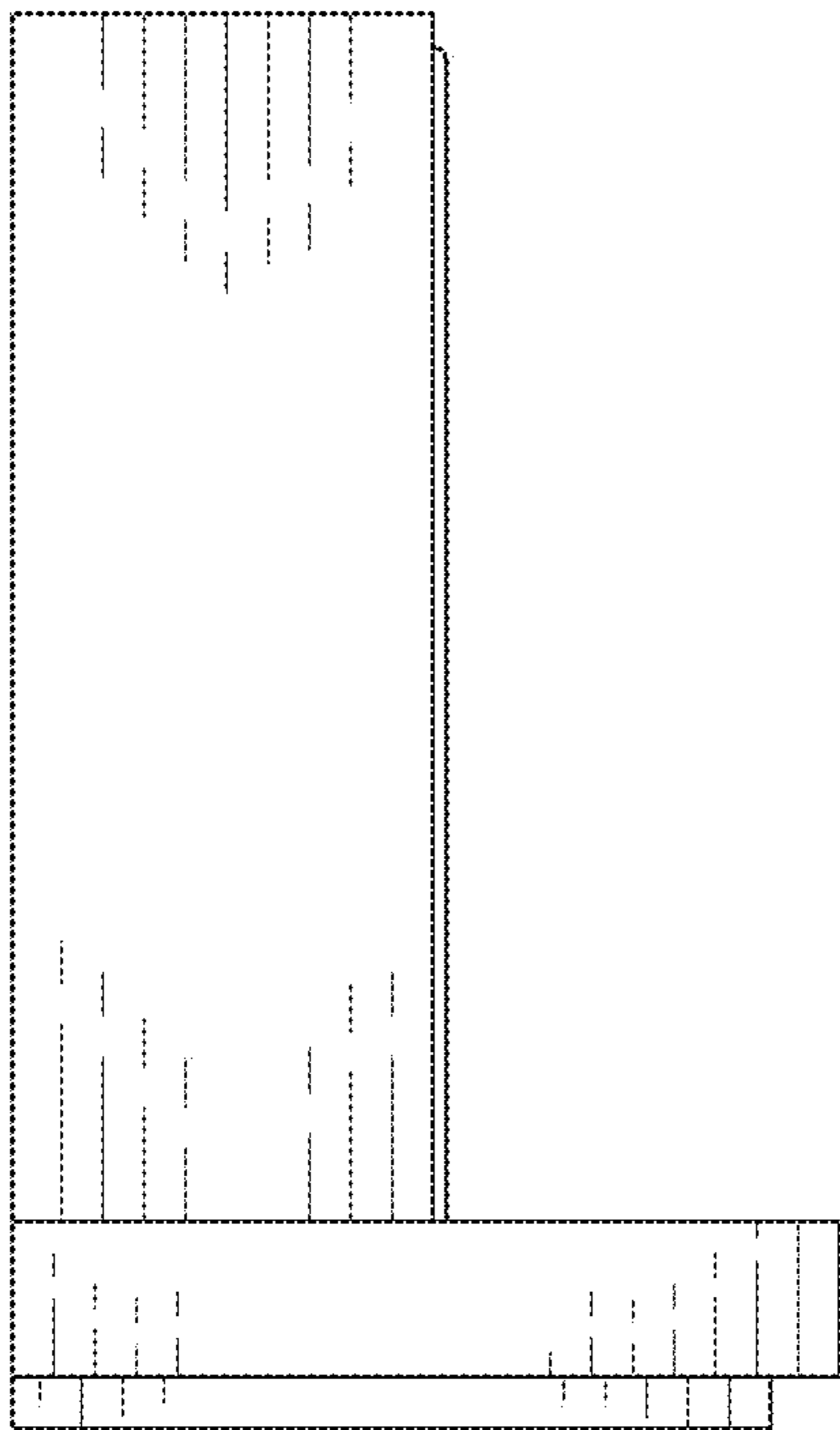


FIG. 6



FIG. 7