



US00D925721S

(12) **United States Design Patent** (10) **Patent No.:** **US D925,721 S**
Mosiman et al. (45) **Date of Patent:** **** Jul. 20, 2021**

(54) **VENT EXTENDER**

OTHER PUBLICATIONS

(71) Applicant: **Spectrum Products LLC**, Mesa, AZ (US)

Eureka Air Under Furniture Magnetic Vent Extender, first available Dec. 11, 2019[online], [site visited Mar. 29, 2021]. Available from internet, URL: <https://www.amazon.com/Eureka-Air-Furniture-Neodymium-Registers/dp/B07ZCMWT68> (Year: 2019).*

(72) Inventors: **Renee Mosiman**, Mesa, AZ (US);
Michael Mosiman, Mesa, AZ (US)

(Continued)

(73) Assignee: **Spectrum Products LLC**, Mesa, AZ (US)

Primary Examiner — Barbara Fox

Assistant Examiner — Jamaal Rasheed

(**) Term: **15 Years**

(74) *Attorney, Agent, or Firm* — Adam R. Stephenson, Ltd.

(21) Appl. No.: **29/760,423**

(22) Filed: **Dec. 1, 2020**

(51) **LOC (13) Cl.** **23-01**

(57) **CLAIM**

(52) **U.S. Cl.**

The ornamental design for a vent extender, as shown and described.

USPC **D23/387**

(58) **Field of Classification Search**

USPC D23/387–389, 393; D7/359; D6/682;
D26/118

CPC E04D 13/15; F24F 13/20

See application file for complete search history.

DESCRIPTION

(56) **References Cited**

U.S. PATENT DOCUMENTS

D192,036 S * 1/1962 Raymond D7/552.1
3,403,809 A 10/1968 Kennedy et al.
D256,082 S * 7/1980 Colato D7/409
4,349,124 A * 9/1982 Faller B65D 1/44
220/608
D268,981 S * 5/1983 Monson 426/243
4,576,331 A 3/1986 Harwell
D300,777 S 4/1989 Bales et al.
D315,206 S 3/1991 Sisk
D321,743 S 11/1991 Logue et al.
D327,497 S * 6/1992 Szablak D19/20

FIG. 1 is a top, rear perspective view of an implementation of a vent extender in a retracted position;
FIG. 2 is rear view thereof;
FIG. 3 is a front view thereof;
FIG. 4 is right side view thereof;
FIG. 5 is left side view thereof;
FIG. 6 is a top view thereof;
FIG. 7 is a bottom view thereof;
FIG. 8 is top, rear perspective view of the implementation of the vent extender of FIG. 1 in an extended position;
FIG. 9 is a rear view thereof;
FIG. 10 is a front view thereof;
FIG. 11 is a right side view thereof;
FIG. 12 is a left side view thereof;
FIG. 13 is a top view thereof; and,
FIG. 14 is a bottom view thereof.

(Continued)

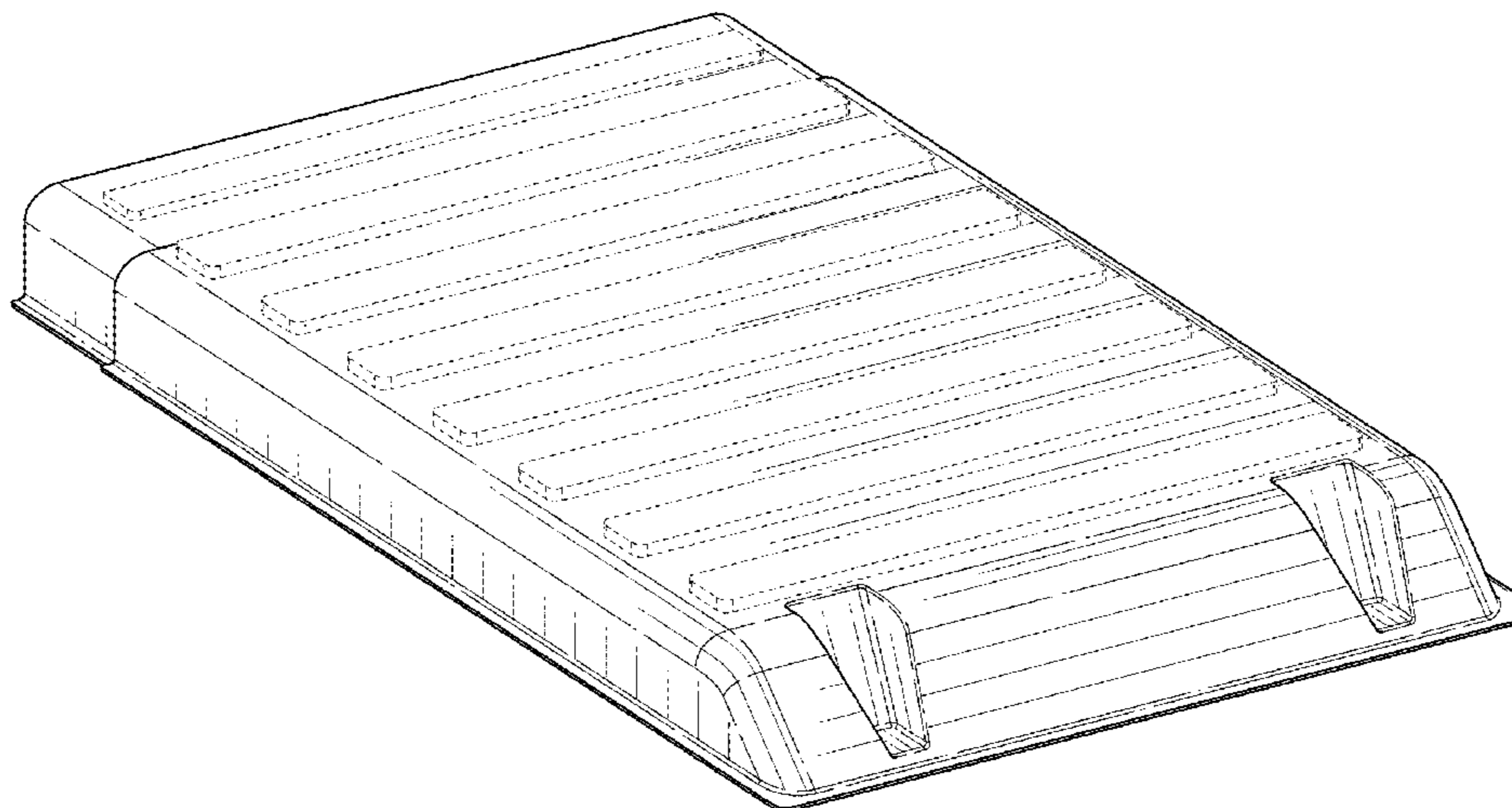
All broken lines shown in the drawings depict portions of the vent extender that form no part of the claimed design.

FOREIGN PATENT DOCUMENTS

CA 2542253 A1 9/2007
CA 2775519 A1 10/2012

(Continued)

1 Claim, 10 Drawing Sheets



(56)

References Cited

U.S. PATENT DOCUMENTS

D338,662	S	8/1993	Sharp	
D362,154	S *	9/1995	Pusateri	D7/359
D363,410	S *	10/1995	Hazen	D7/359
D374,927	S	10/1996	Chabot	
D376,007	S	11/1996	Thomas	
D432,226	S	10/2000	Orendorff	
D462,436	S	9/2002	Bennett et al.	
D463,202	S *	9/2002	Smith	D7/359
D471,397	S *	3/2003	Wright	D7/359
D552,378	S *	10/2007	Hussaini	D6/682
D610,405	S *	2/2010	McConnell	D7/409
D654,162	S *	2/2012	Sykes	D23/393
D666,285	S *	8/2012	Schrad	D23/387
D828,536	S *	9/2018	Couto	D23/393
D903,089	S *	11/2020	Holland	D23/393
2012/0073158	A1	3/2012	Sciallo et al.	
2013/0337738	A1	12/2013	Sanderson et al.	
2014/0170962	A1 *	6/2014	Carter	F24F 13/082 454/367
2014/0260105	A1 *	9/2014	Smith	B44D 3/126 53/458
2017/0226744	A1 *	8/2017	Platts	F24F 7/02
2017/0268720	A1 *	9/2017	Rogers	B44D 3/126

FOREIGN PATENT DOCUMENTS

CN	104727114	B	1/2017
KR	20170124740	A	11/2017
ZA	200908864	B	9/2010

OTHER PUBLICATIONS

Ventilaider Magnetic Air Vent Extender for Under Furniture, first available Apr. 7, 2020[online], [site visited Mar. 29, 2021]. Available from internet, URL:<<https://www.amazon.com/Ventilaider-Magnetic-Extender-Furniture-Registers/dp/B086TWZ97Y>> (Year: 2020).*

Deflecto Furniture Deflector Air Vent Extender, first available Jul. 27, 2017[online], [site visited Mar. 29, 2021]. Available from internet, URL:<<https://www.amazon.com/Deflecto-Furniture-Deflector-Registers-UFAD/dp/B0749KXCZF>> (Year: 2017).*

Miles Kimball Furnace Vent Extender, first available Jun. 22, 2012[online], [site visited Mar. 29, 2021]. Available from internet, URL:<<https://www.amazon.com/Miles-Kimball-Furnace-Vent-Extender/dp/B00A922NW2>> (Year: 2012).*

Airconditioneri, Adjustable Vent Extender Heat Deflector Air Conditioner Register Floor Furnace, Retrieved from the Internet: https://plastic.airconditioneri.com/hdfl-snowman-snow-gauge-yard-stake-metal-frosty.html?product_id=Z7SiTPzMMbx0RQ [retrieved Nov. 30, 2020], 16 pages.

Fox Valley Traders, Furnace Vent Extender, Air Deflector for Floor Registers, Retrieved from the Internet: <https://www.walmart.com/ip/Furnace-Vent-Extender-Air-Deflector-for-Floor-Registers/37516035> [retrieved Nov. 30, 2020], 11 pages.

* cited by examiner

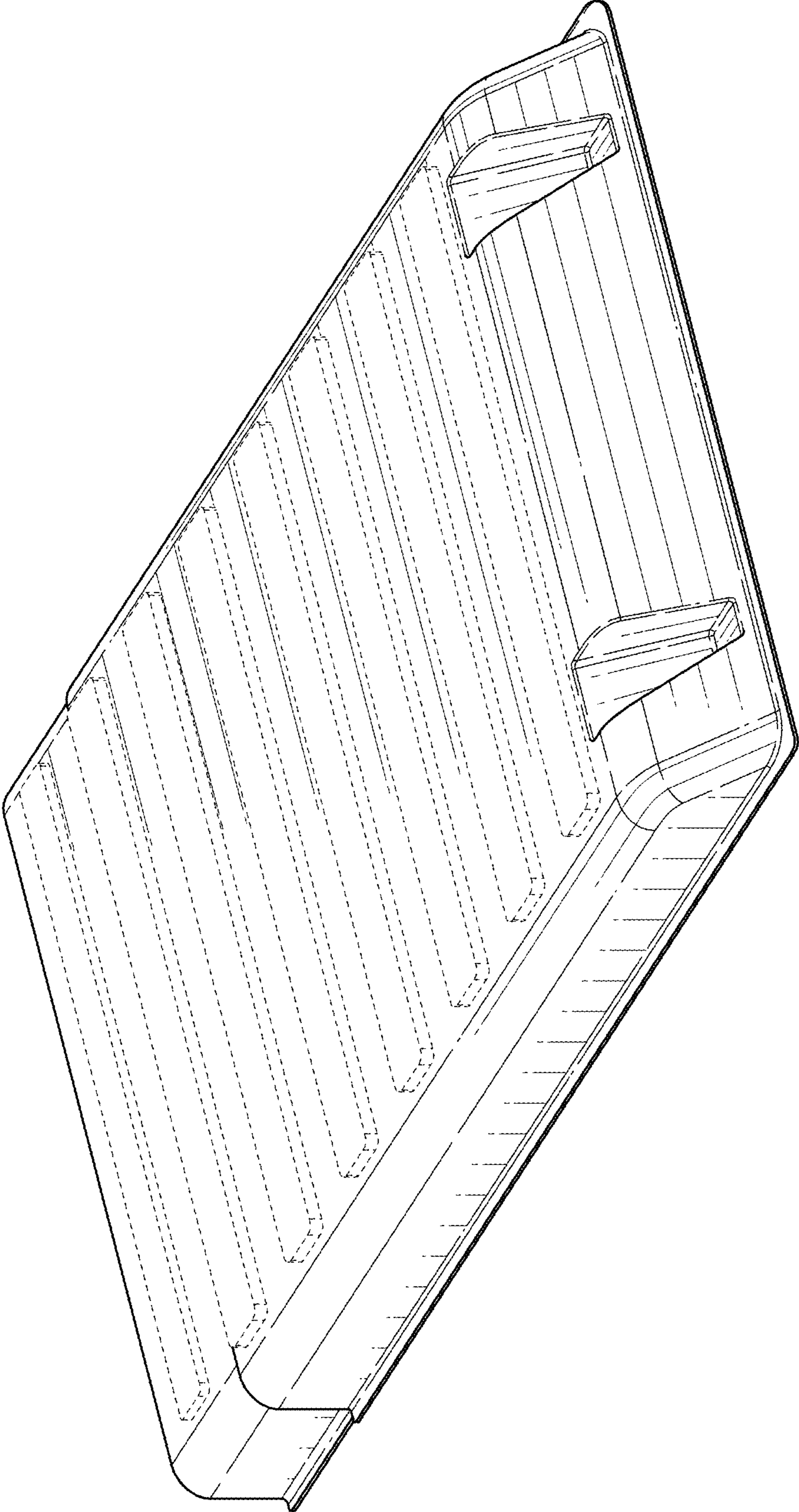


FIG. 1

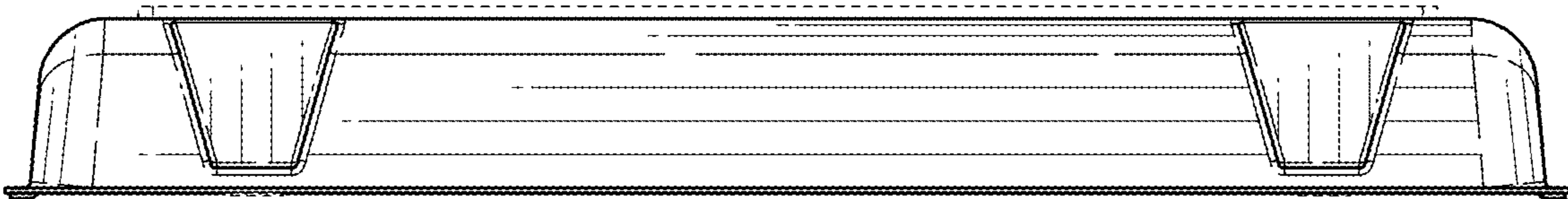


FIG. 2

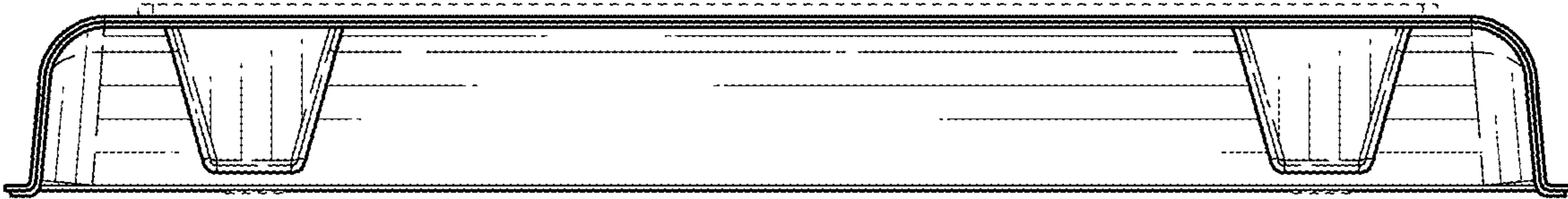


FIG. 3

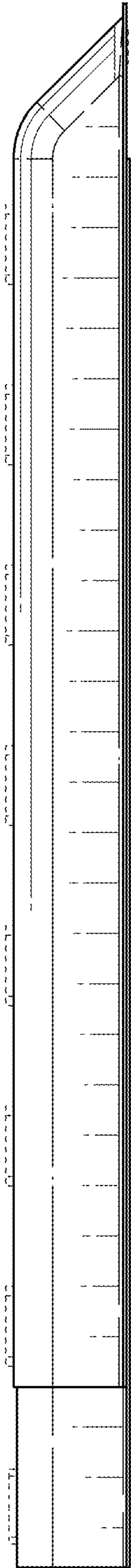


FIG. 4

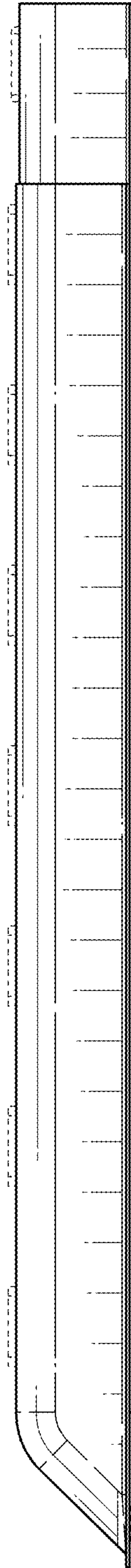


FIG. 5

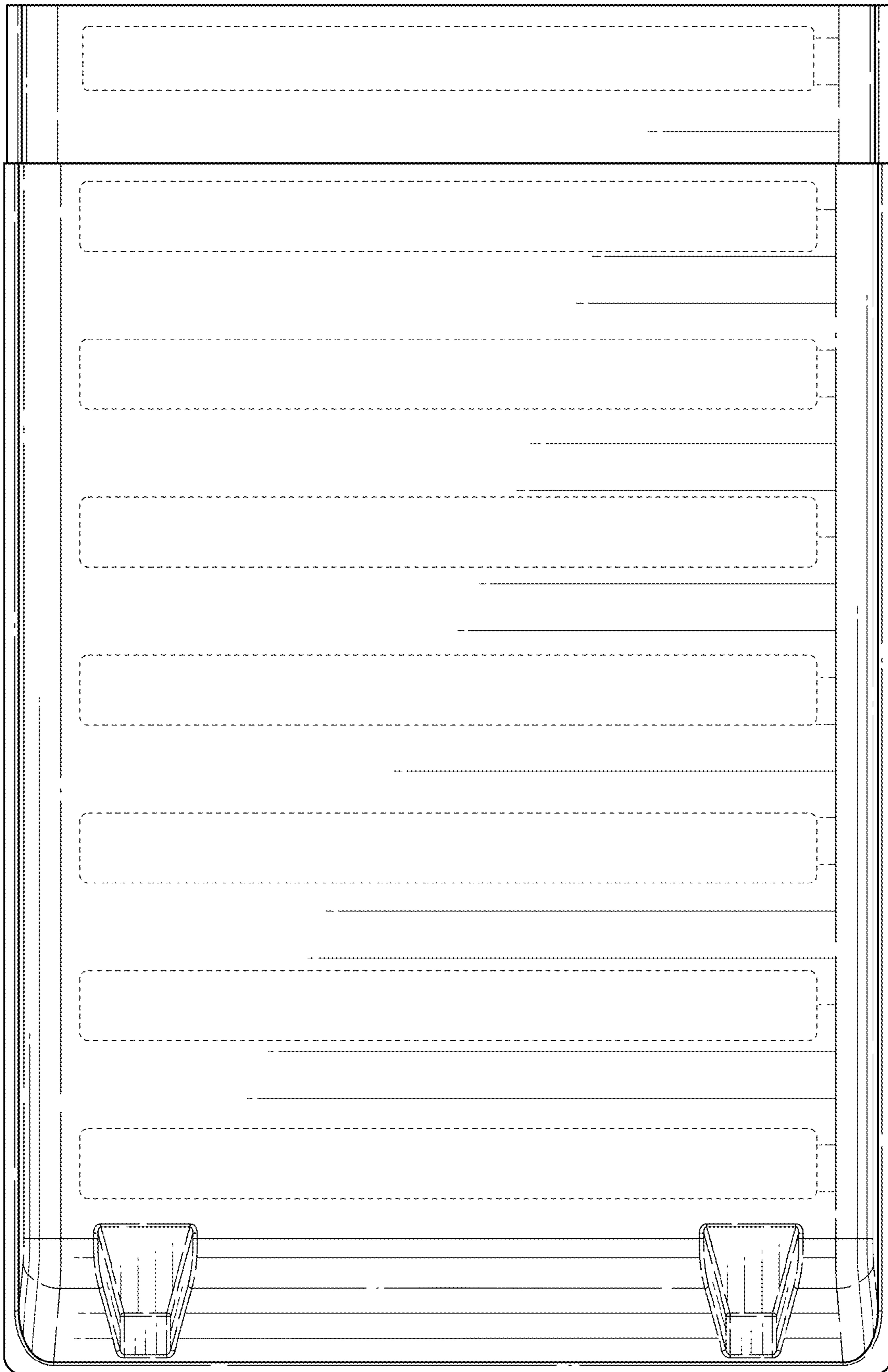


FIG. 6

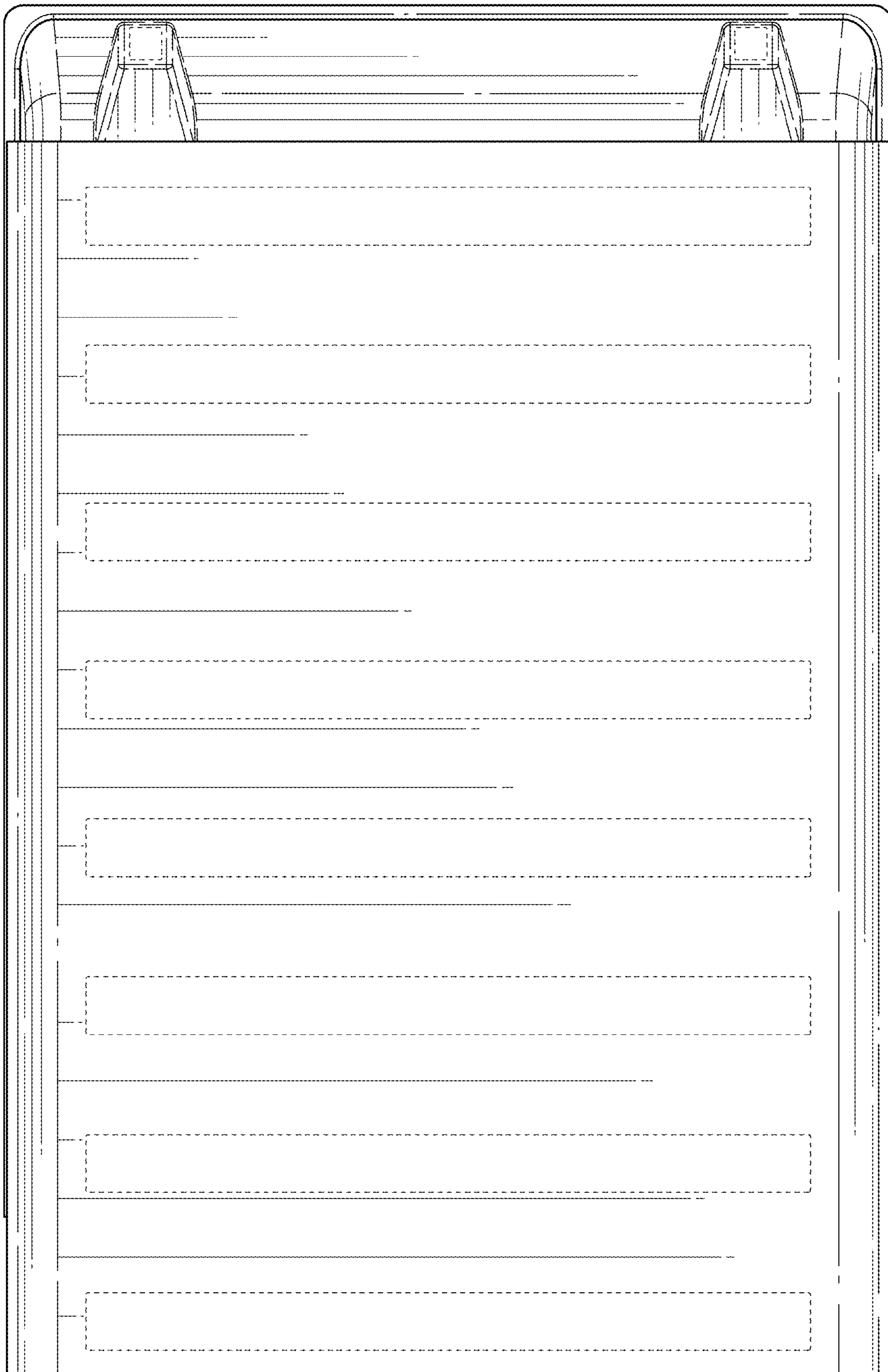


FIG. 7

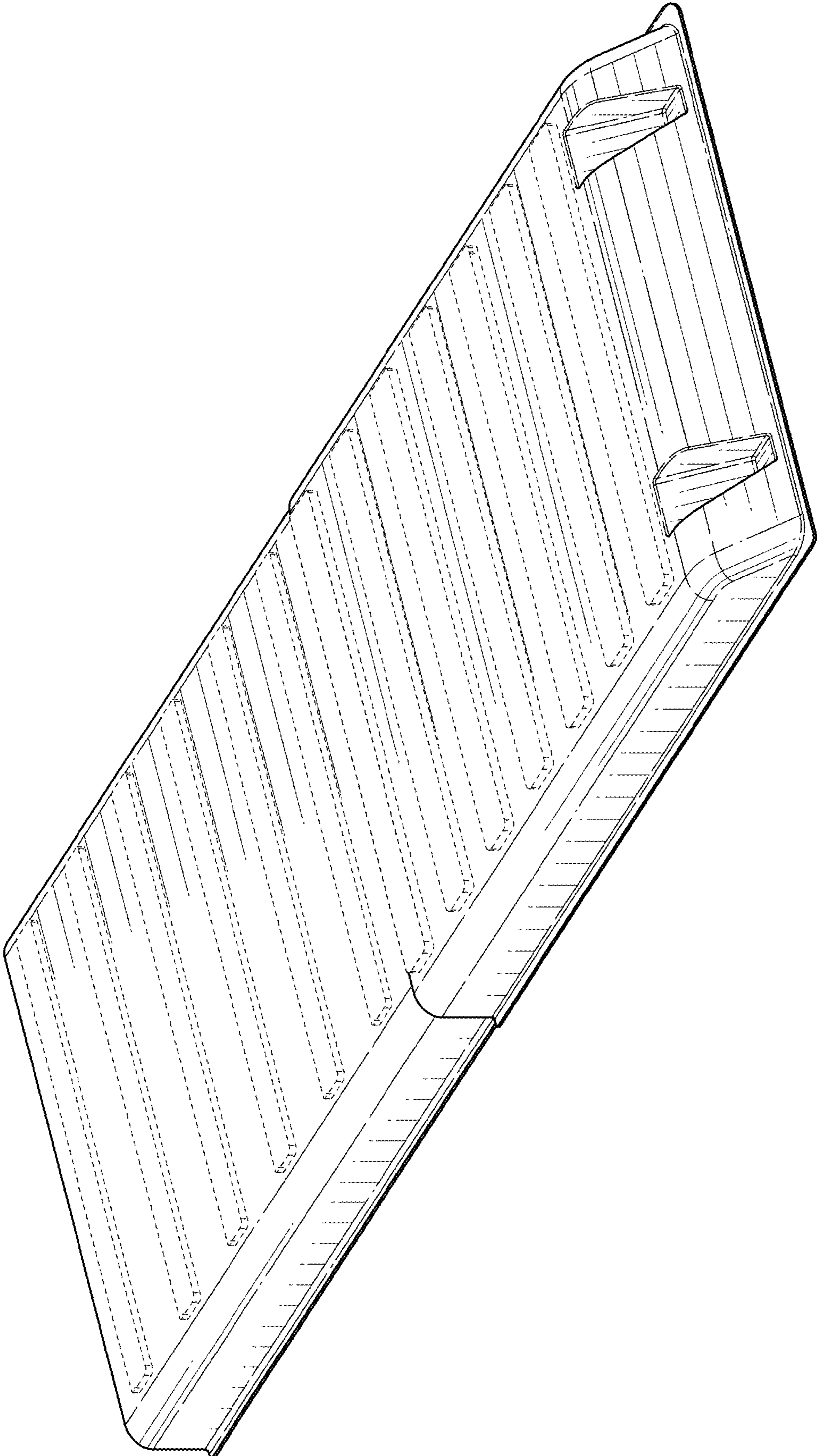


FIG. 8

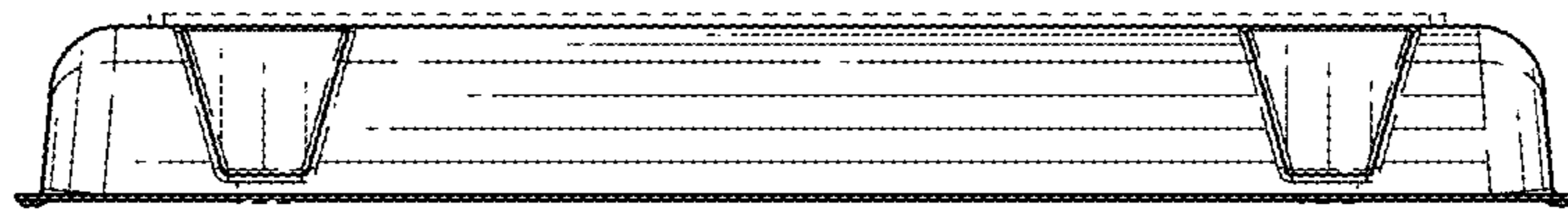


FIG. 9

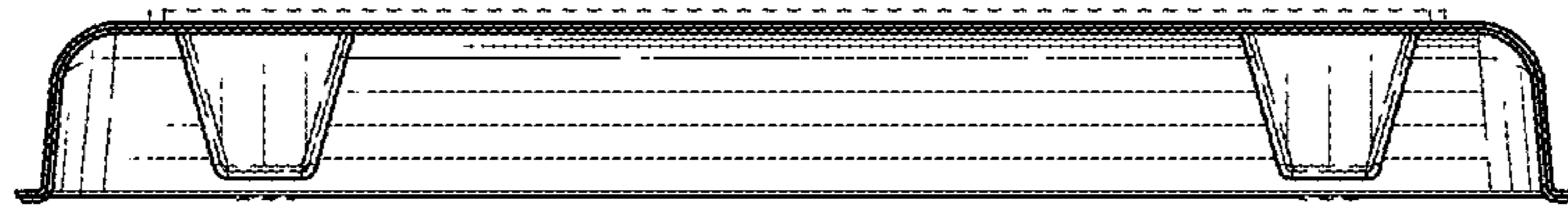


FIG. 10

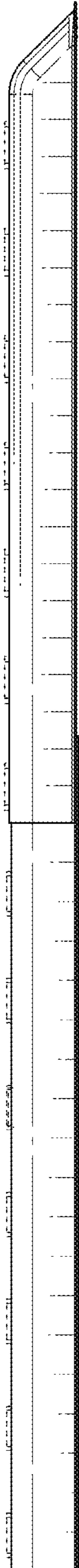


FIG. 11

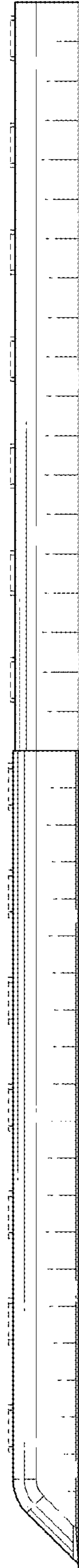


FIG. 12

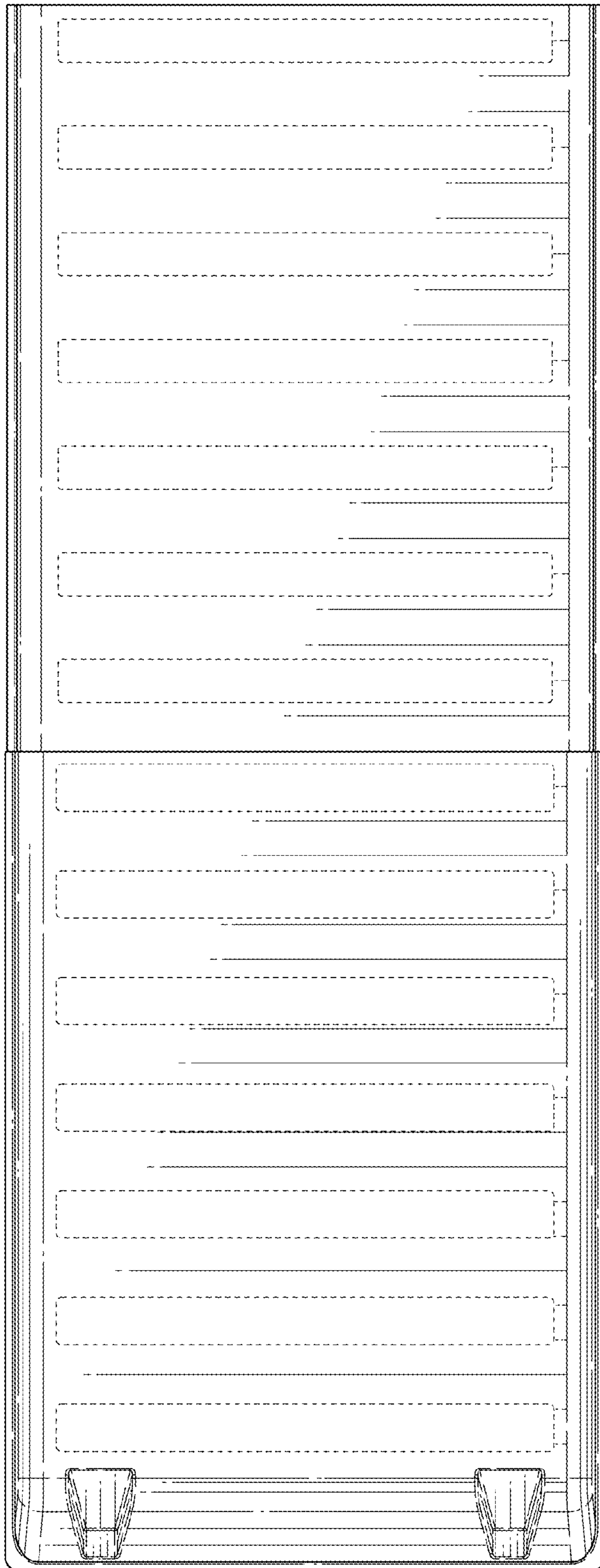


FIG. 13

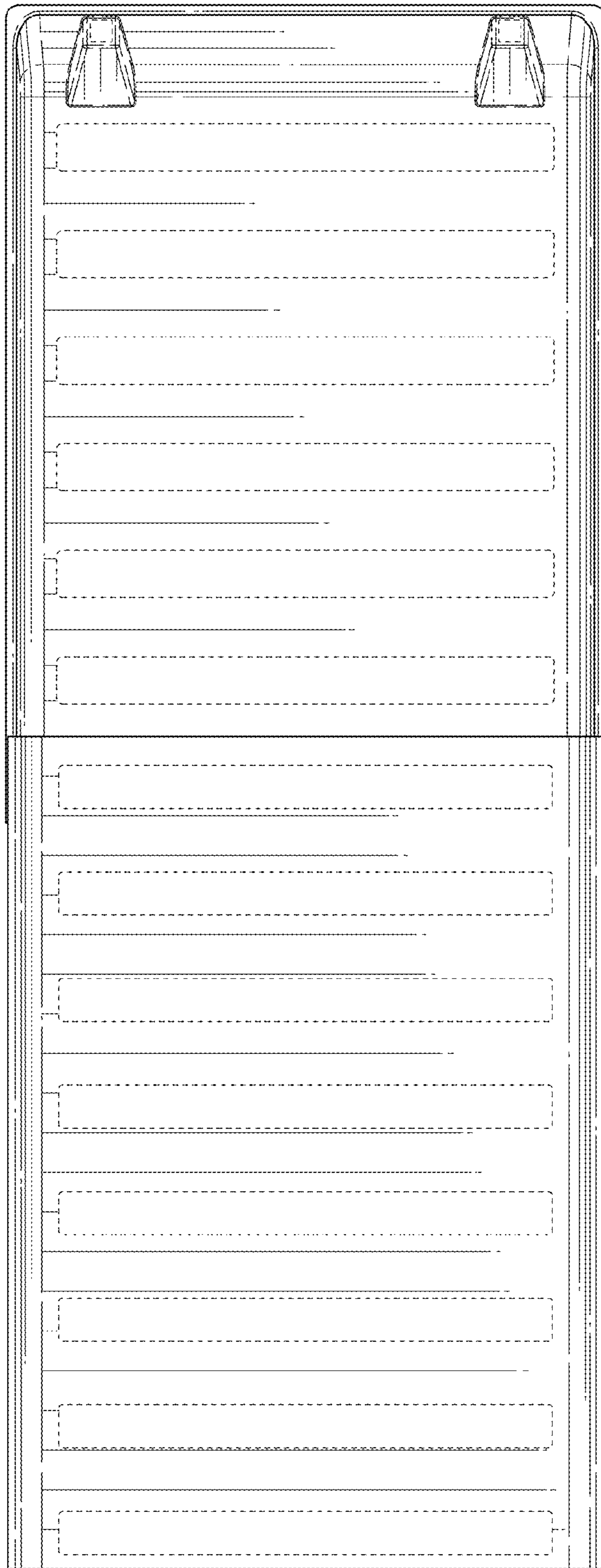


FIG. 14