



US00D925720S

(12) **United States Design Patent**  
**Lee**

(10) **Patent No.:** **US D925,720 S**  
(45) **Date of Patent:** **\*\* Jul. 20, 2021**

(54) **AROMA DIFFUSER**

(71) Applicant: **PUZHEN LIFE CO., LTD**, Hong Kong (HK)

(72) Inventor: **Andy Lee**, Hong Kong (HK)

(73) Assignee: **PUZHEN LIFE CO., LTD**, Hong Kong (HK)

(\*\*) Term: **15 Years**

(21) Appl. No.: **29/721,557**

(22) Filed: **Jan. 21, 2020**

(30) **Foreign Application Priority Data**

Dec. 17, 2019 (CN) ..... 201930706765.0

(51) **LOC (13) Cl.** ..... **23-04**

(52) **U.S. Cl.**  
USPC ..... **D23/366**

(58) **Field of Classification Search**  
USPC ..... D23/209, 355, 356, 358, 359, 360, 364,  
D23/365, 366, 367; D99/5; D17/22  
CPC . A61L 9/03; A61L 9/012; A61L 9/015; A61L  
9/037; F41J 1/01  
See application file for complete search history.

(56) **References Cited**

**U.S. PATENT DOCUMENTS**

D289,920 S \* 5/1987 O'Neil, Jr. .... D23/366  
D611,588 S \* 3/2010 Jorgensen ..... D23/366  
D627,650 S \* 11/2010 Yeung ..... D9/504

D696,763 S \* 12/2013 Li ..... D23/366  
D813,366 S \* 3/2018 Tang ..... D23/366  
D824,765 S \* 8/2018 Metais ..... D9/504  
D861,847 S \* 10/2019 Li ..... D23/366  
D870,258 S \* 12/2019 Song ..... D23/366  
D873,399 S \* 1/2020 Nykowski ..... D23/364  
D882,747 S \* 4/2020 Li ..... D23/366  
D886,372 S \* 6/2020 Weinrich ..... D9/504  
D895,092 S \* 9/2020 Peng ..... D23/356  
D898,024 S \* 10/2020 Lai ..... D14/371  
D914,662 S \* 3/2021 Unter Ecker ..... D14/240  
2014/0072286 A1 \* 3/2014 Hsiao ..... A61L 9/03  
392/390  
2019/0000064 A1 \* 1/2019 Luque Vera ..... A61L 9/03

\* cited by examiner

*Primary Examiner* — John A Voytek

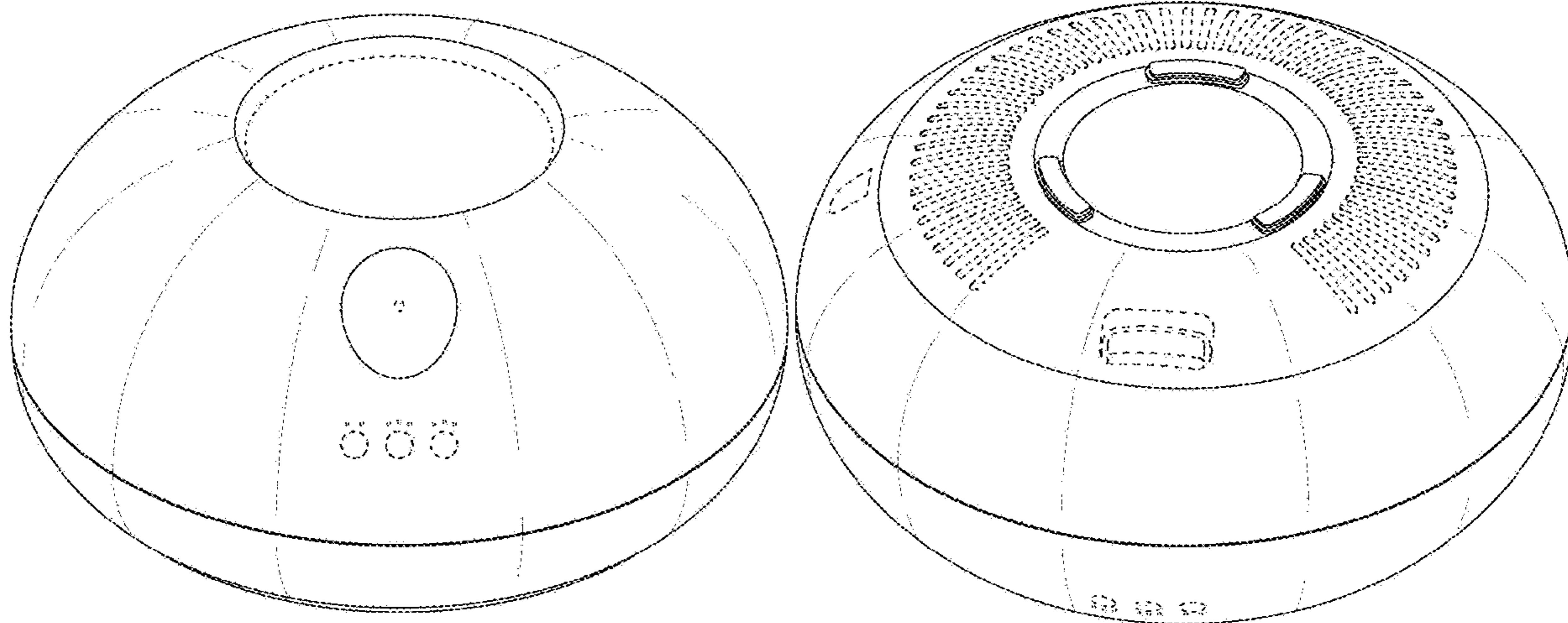
(57) **CLAIM**

The ornamental design for an aroma diffuser, as shown and described.

**DESCRIPTION**

FIG. 1 is a front elevational view of an aroma diffuser showing my new design;  
FIG. 2 is a rear elevational view thereof;  
FIG. 3 is a right side view thereof;  
FIG. 4 is a left side view thereof;  
FIG. 5 is a top plan view thereof;  
FIG. 6 is a bottom plan view thereof;  
FIG. 7 is a top and front perspective view thereof; and,  
FIG. 8 is a bottom and front perspective view thereof.  
The broken lines in the drawings illustrate portions of the aroma diffuser which form no part of the claimed design.

**1 Claim, 8 Drawing Sheets**



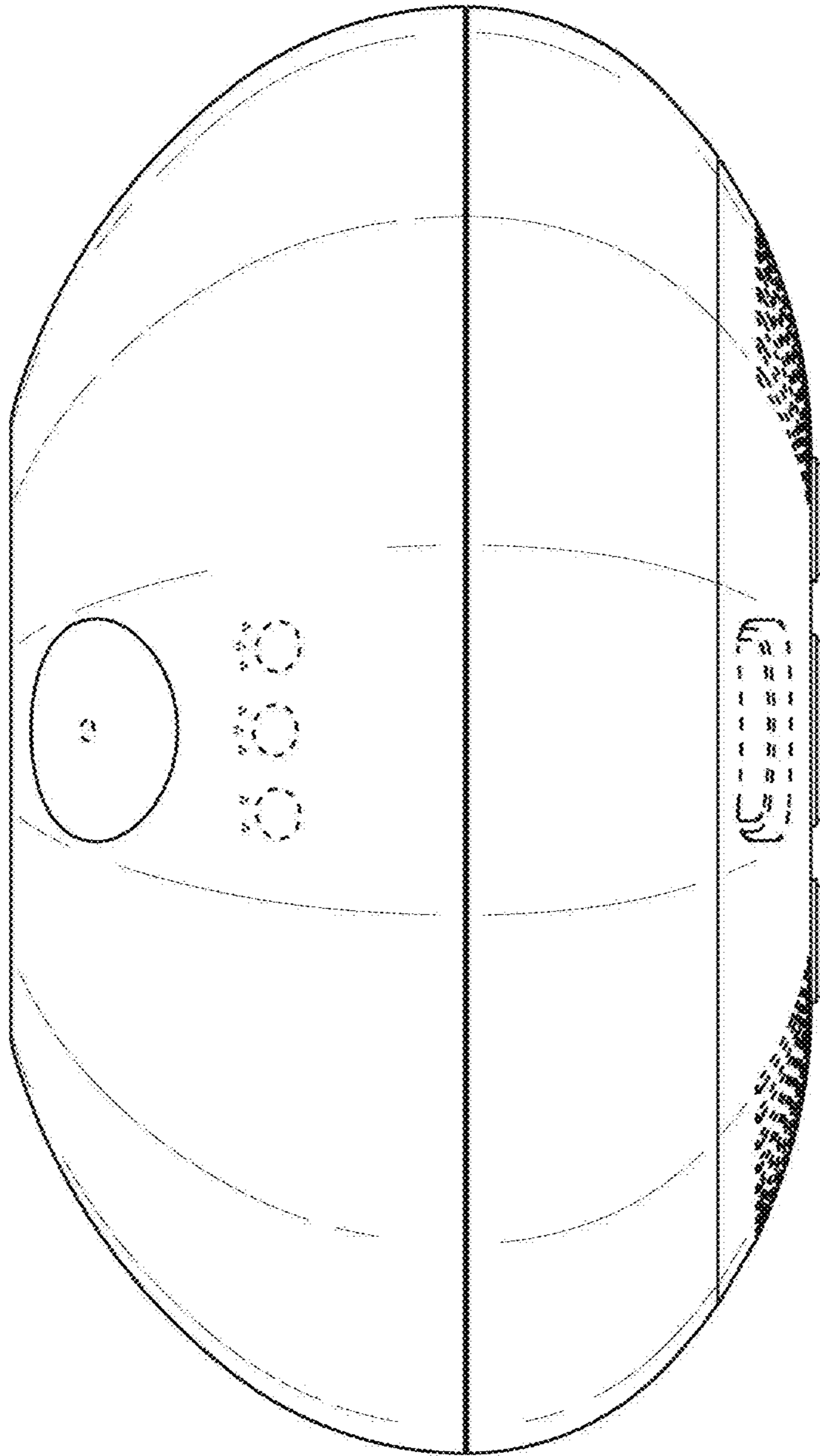


Fig. 1

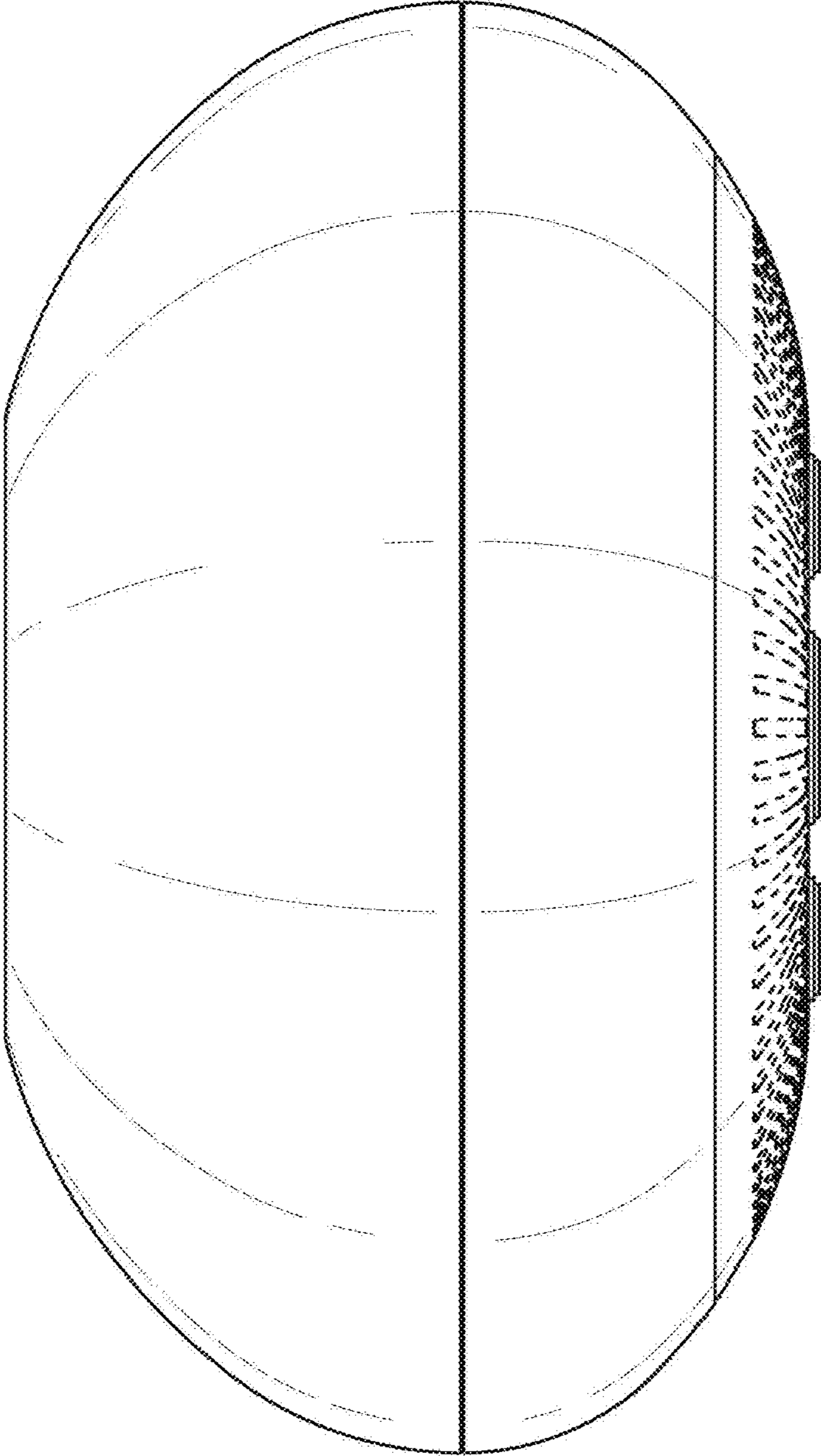


Fig. 2

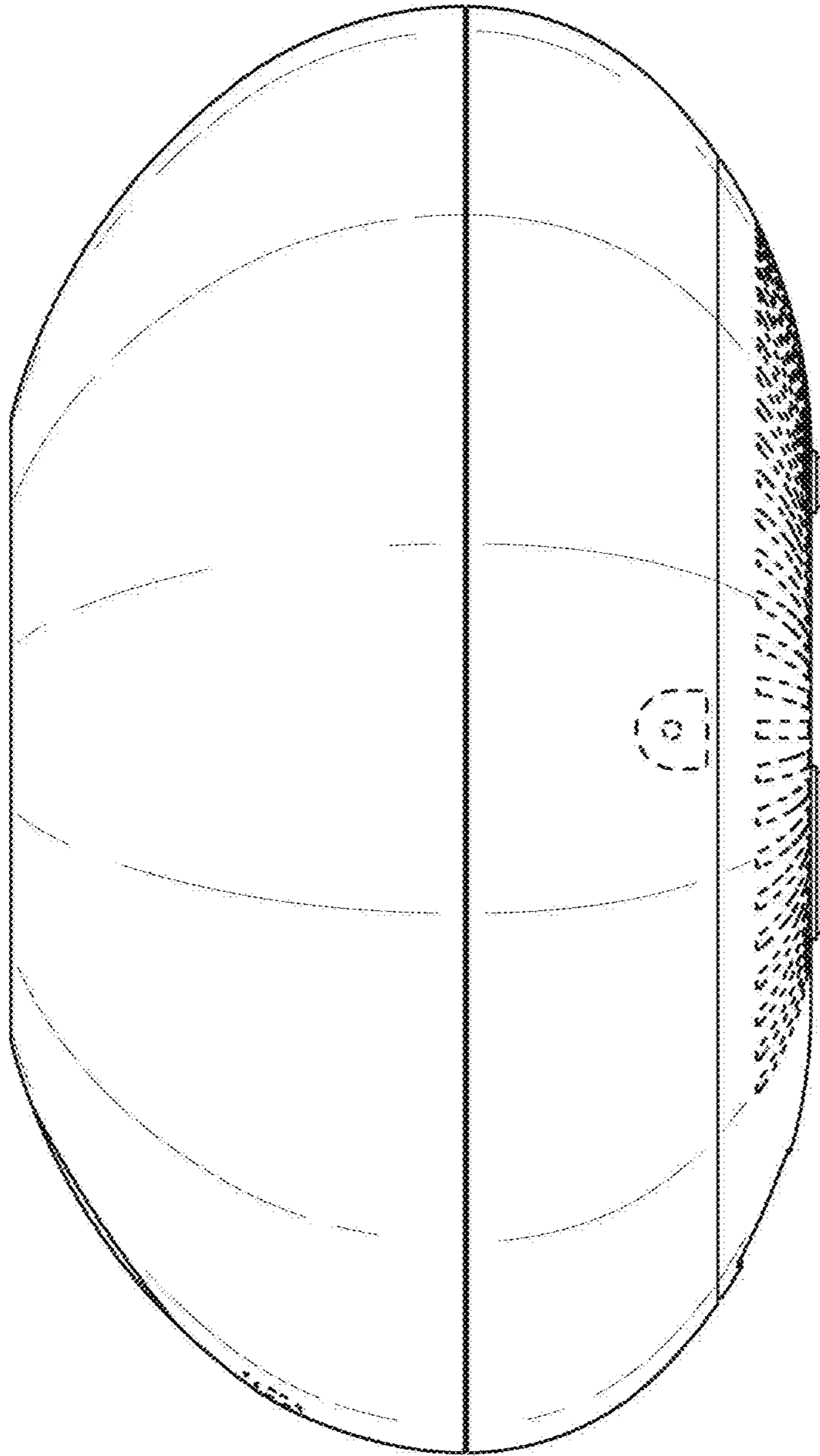


Fig. 3

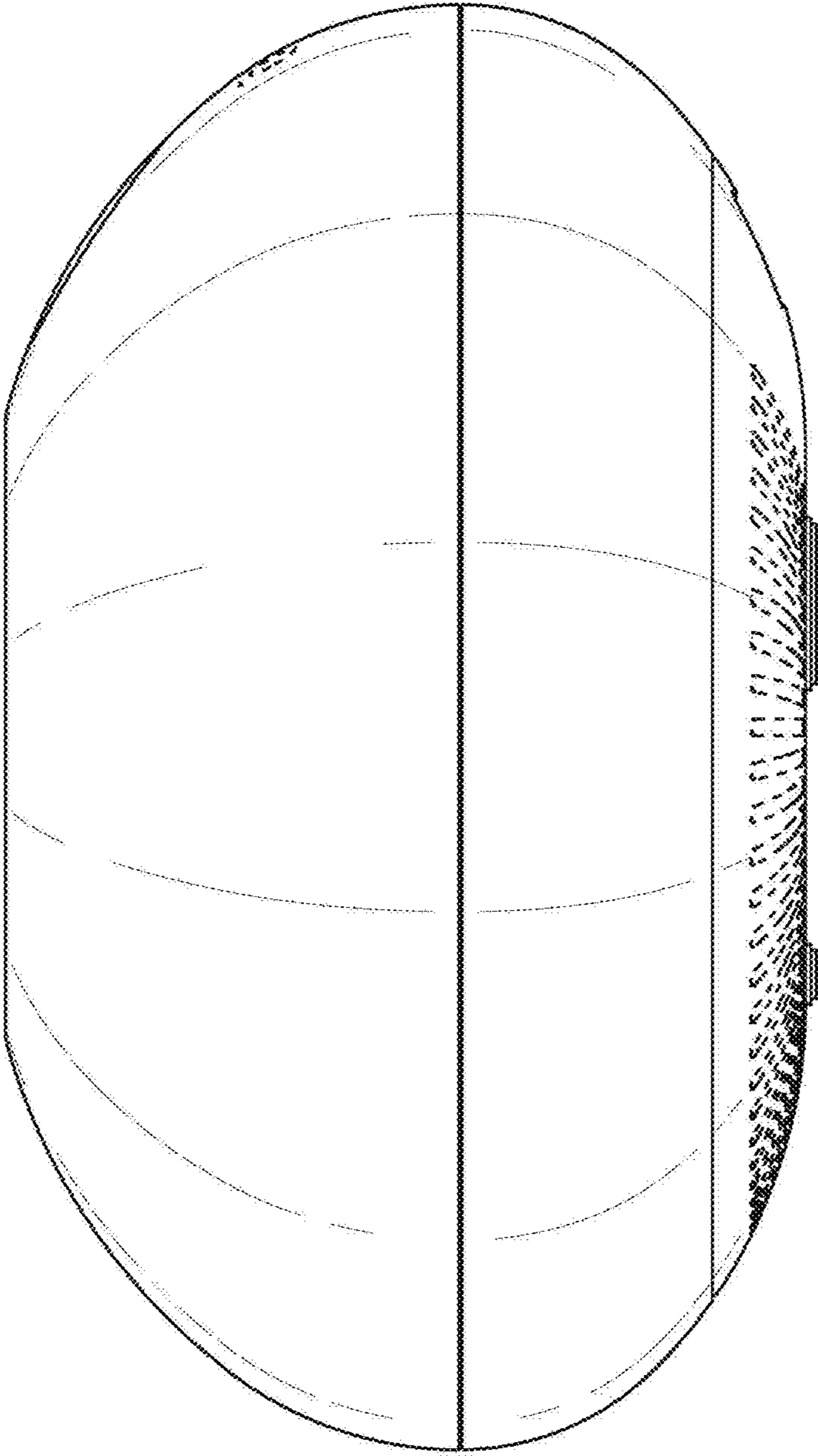


Fig. 4

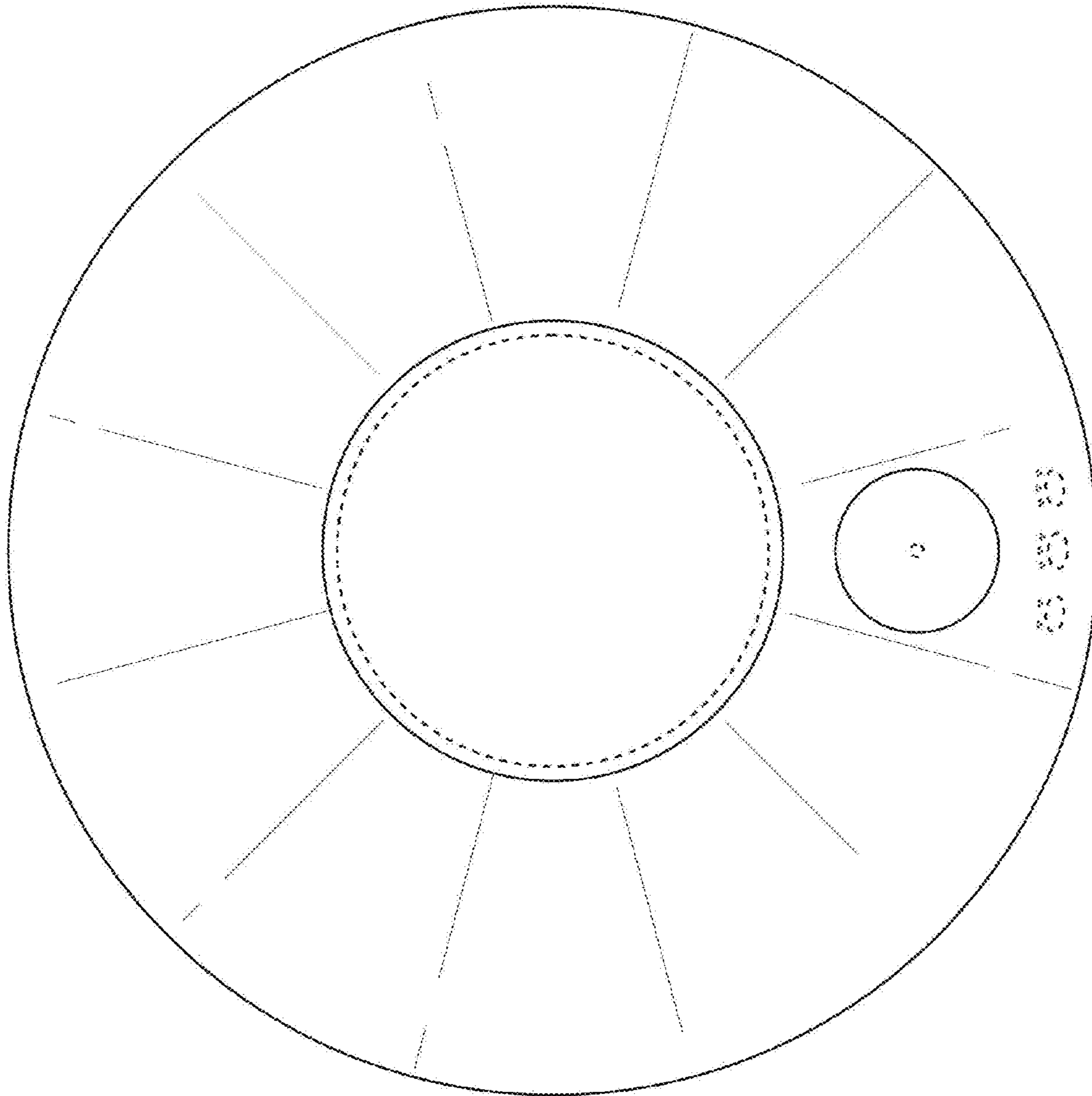


Fig. 5

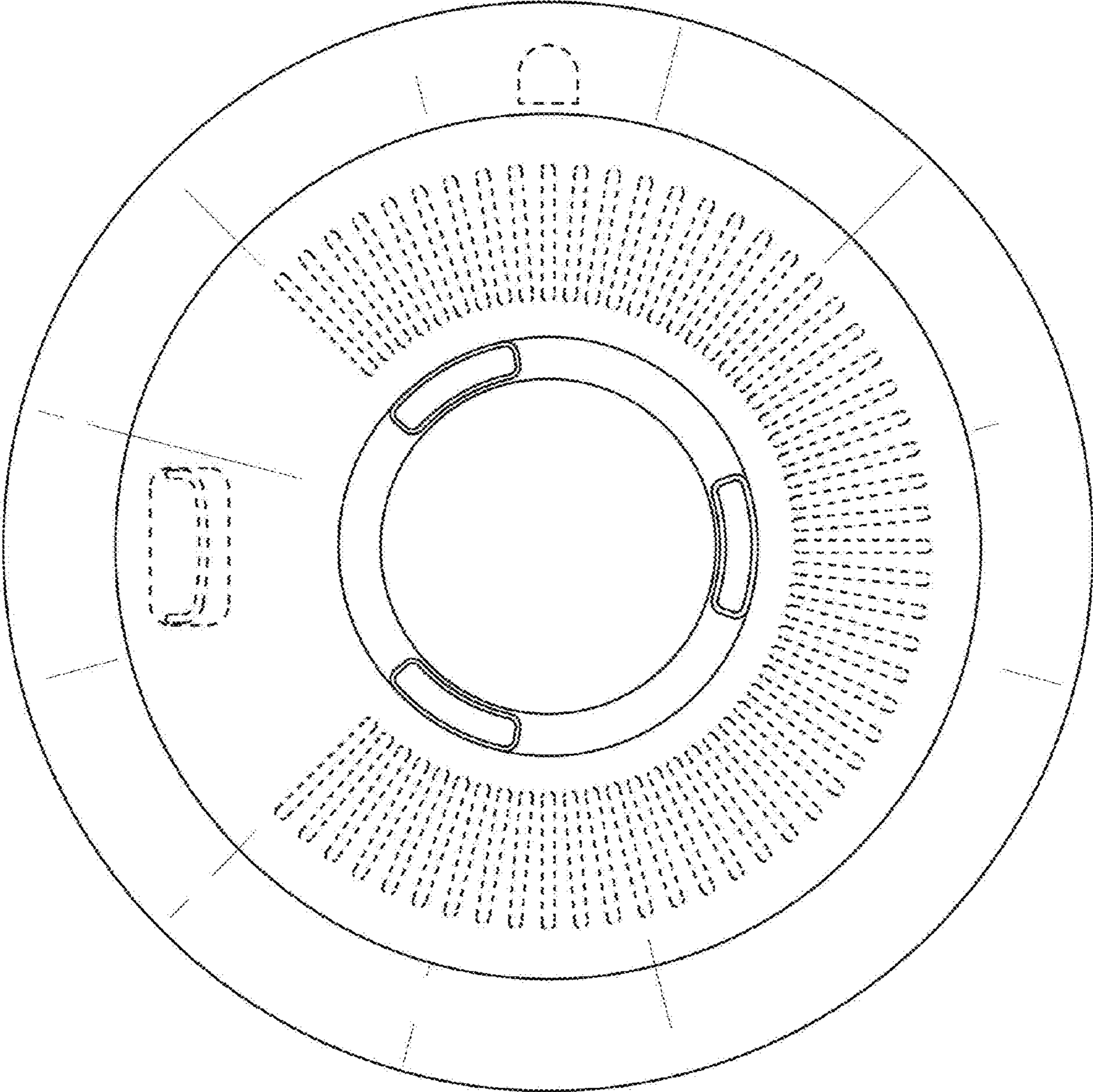


Fig. 6

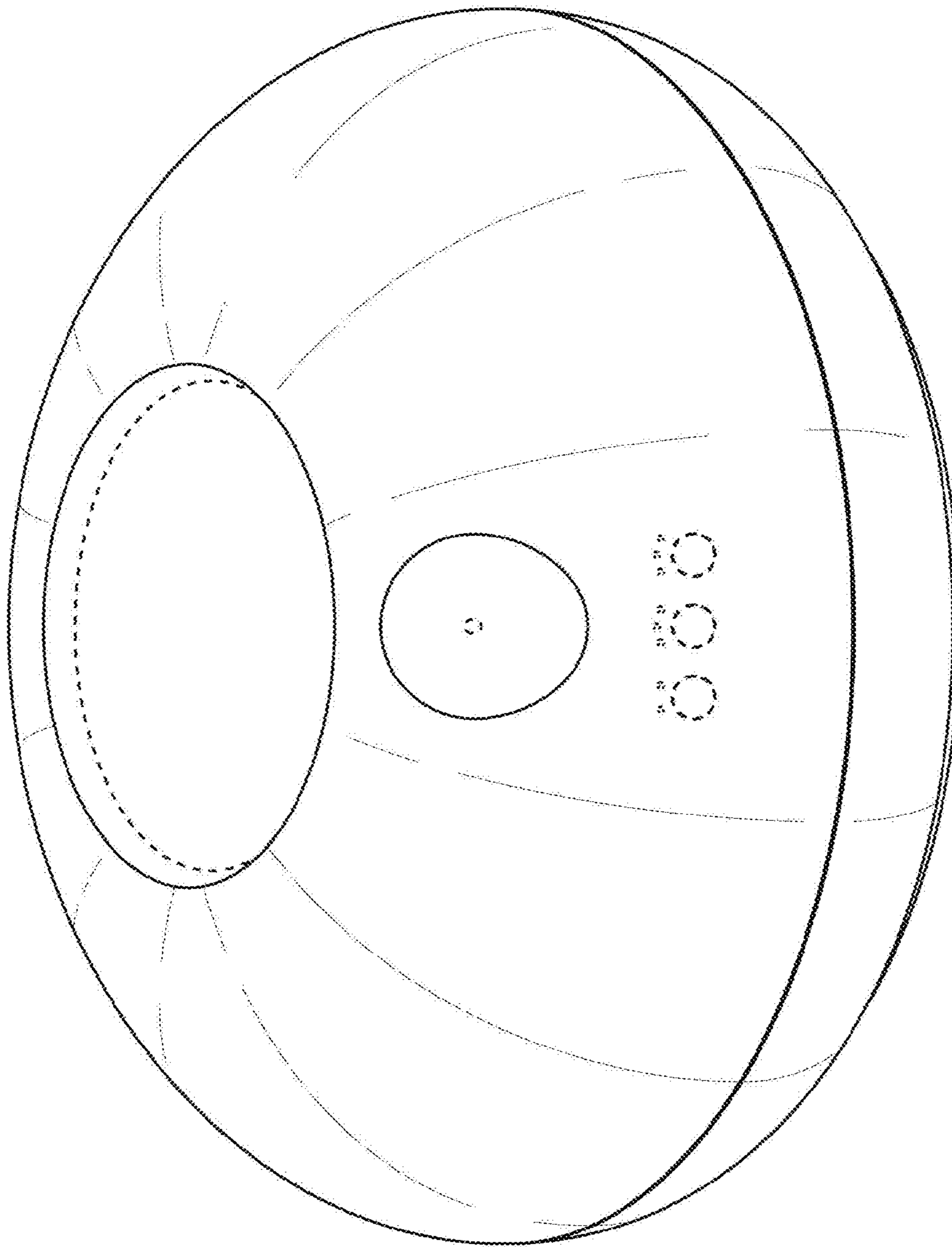


Fig. 7



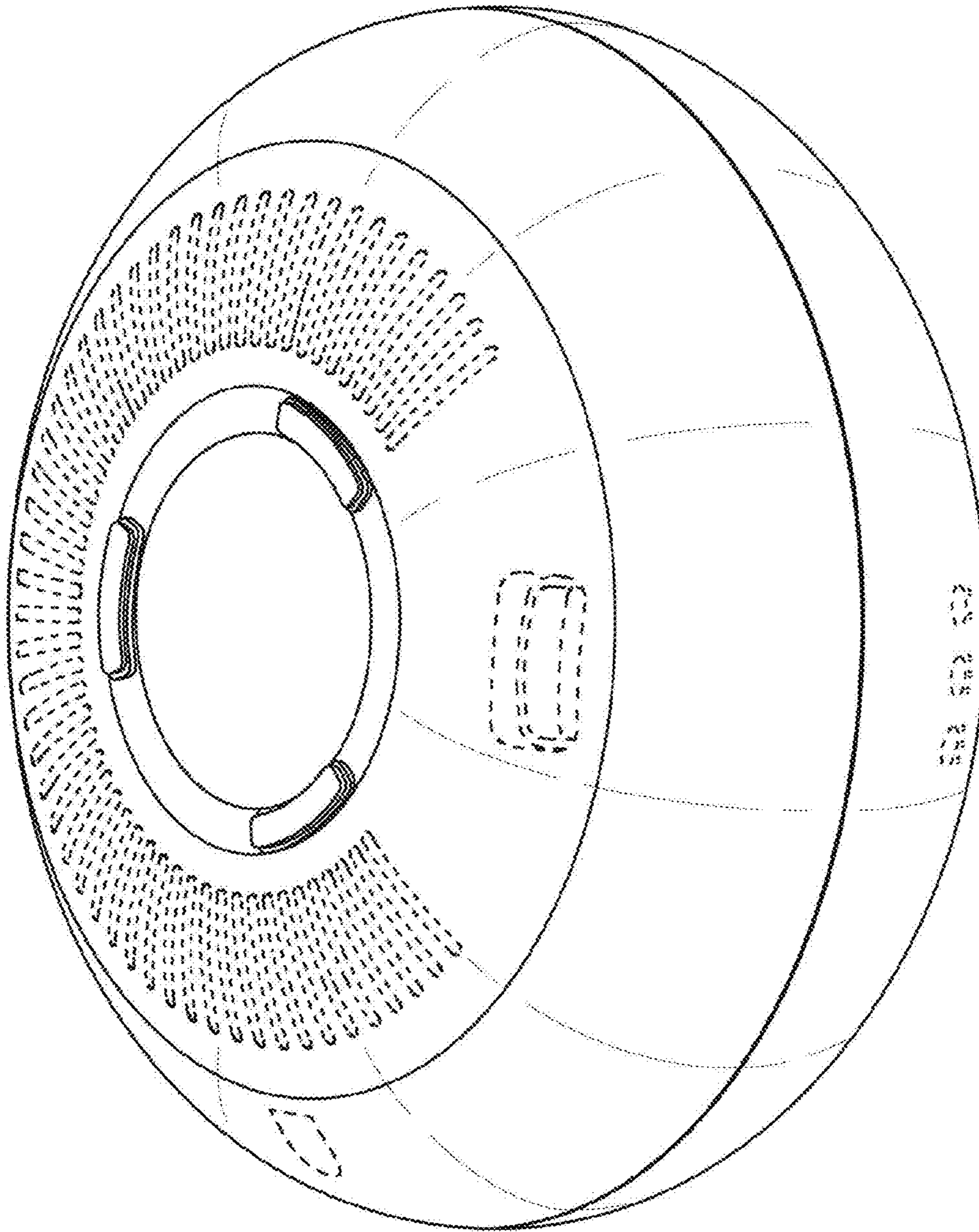


Fig. 8