



US00D925717S

(12) **United States Design Patent** (10) **Patent No.:** **US D925,717 S**
Speight (45) **Date of Patent:** **** Jul. 20, 2021**

(54) **BAFFLE FILTER BOX**

(71) Applicant: **John Speight**, Hermitage, TN (US)

(72) Inventor: **John Speight**, Hermitage, TN (US)

(**) Term: **15 Years**

(21) Appl. No.: **29/683,432**

(22) Filed: **Mar. 13, 2019**

(51) **LOC (13) Cl.** **23-04**

(52) **U.S. Cl.**

USPC **D23/365**

(58) **Field of Classification Search**

USPC D23/365, 209, 386, 330, 335, 354, 364,
D23/381, 393; 55/443

CPC B01D 45/08; B01D 29/21; B01D 24/22;
B01D 27/06; B01D 35/14; B01D 46/521;
B01D 17/0211; B01D 51/1616; F24C
15/2035

See application file for complete search history.

(56) **References Cited**

U.S. PATENT DOCUMENTS

7,585,345 B2 * 9/2009 Smasal B01D 45/08
55/443
9,372,004 B2 * 6/2016 Sikkenga B01D 45/16
9,403,106 B2 * 8/2016 Oosthuizen B01D 21/0042

(Continued)

Primary Examiner — Gino Colan

(74) *Attorney, Agent, or Firm* — Patterson Intellectual
Property Law, P.C.; Edward D. Lanquist, Jr.; Alex H.
Huffstutter

(57) **CLAIM**

What is claimed is the ornamental design for a baffle filter box, as shown and described.

DESCRIPTION

FIG. 1 is an upper front perspective view of a baffle filter box according to a first embodiment of the present invention.

FIG. 2 is a lower rear perspective view of the baffle filter box shown in FIG. 1.

FIG. 3 is a front elevation view of the baffle filter box shown in FIG. 1.

FIG. 4 is a top plan view of the baffle filter box shown in FIG. 1.

FIG. 5 is a bottom plan view of the baffle filter box shown in FIG. 1.

FIG. 6 is a rear elevation view of the baffle filter box shown in FIG. 1.

FIG. 7 is a left side elevation view of the baffle filter box shown in FIG. 1, the right side elevation view being an identical mirror image thereto.

FIG. 8 is an upper front perspective view of the baffle filter box according to a second embodiment of the present invention.

FIG. 9 is a lower rear perspective view of the baffle filter box shown in FIG. 8.

FIG. 10 is a front elevation view of the baffle filter box shown in FIG. 8.

FIG. 11 is a top plan view of the baffle filter box shown in FIG. 8.

FIG. 12 is a bottom plan view of the baffle filter box shown in FIG. 8.

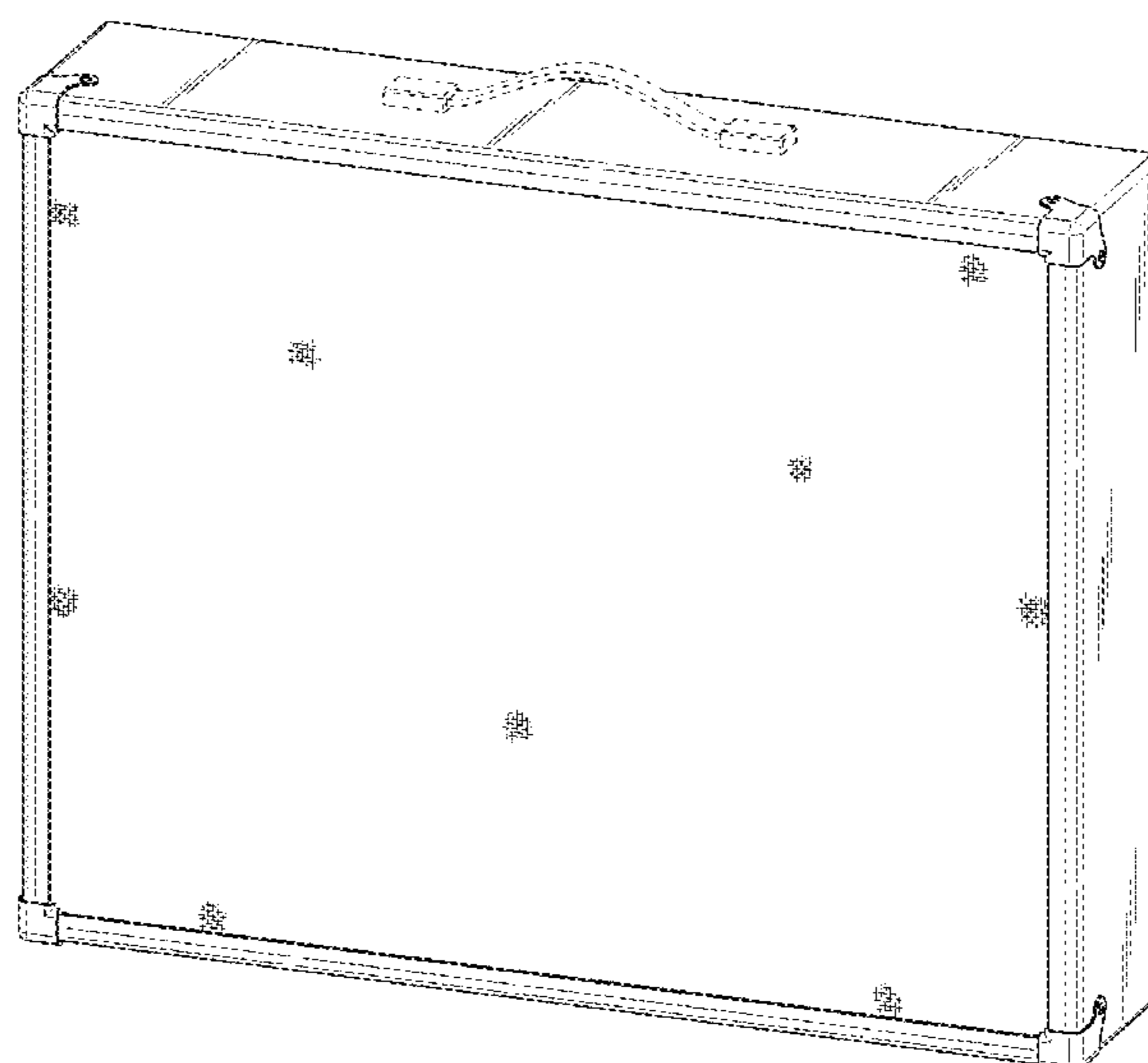
FIG. 13 is a rear elevation view of the baffle filter box shown in FIG. 8; and,

FIG. 14 is a left side elevation view of the baffle filter box shown in FIG. 8, the right side elevation view being an identical mirror image thereto.

The broken lines in the drawings illustrate portions of the baffle filter box which form no part of the claimed design. The baffle filter box is shown with a symbolic break in its height, width, and depth. The appearance of any portion of the article between the break lines forms no part of the claimed design.

The intersecting shading lines in FIGS. 1-3, 6, 8-10, and 13 at the front and rear of the baffle filter box indicate sound-permeable textiles.

1 Claim, 10 Drawing Sheets



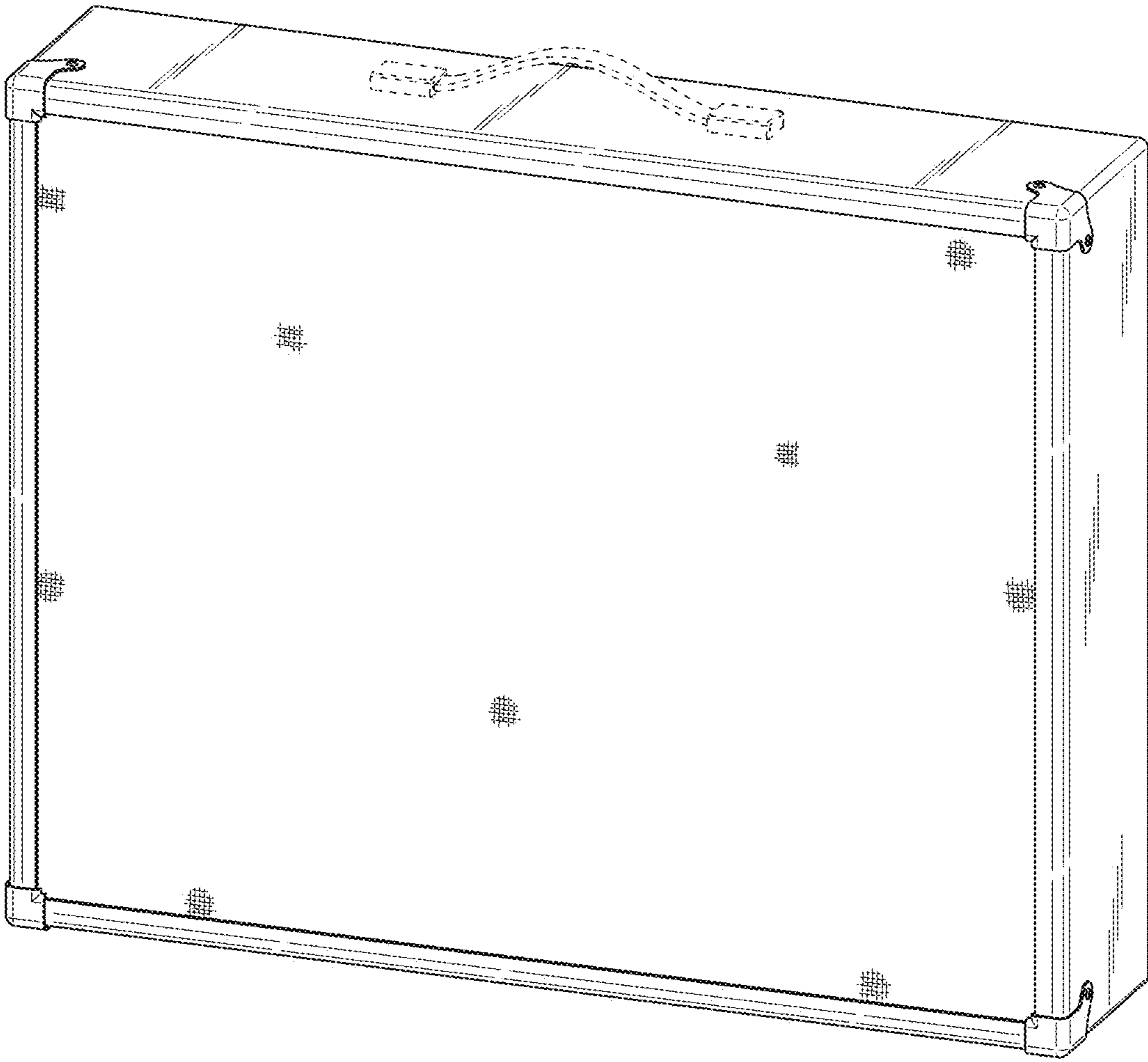


FIG. 1

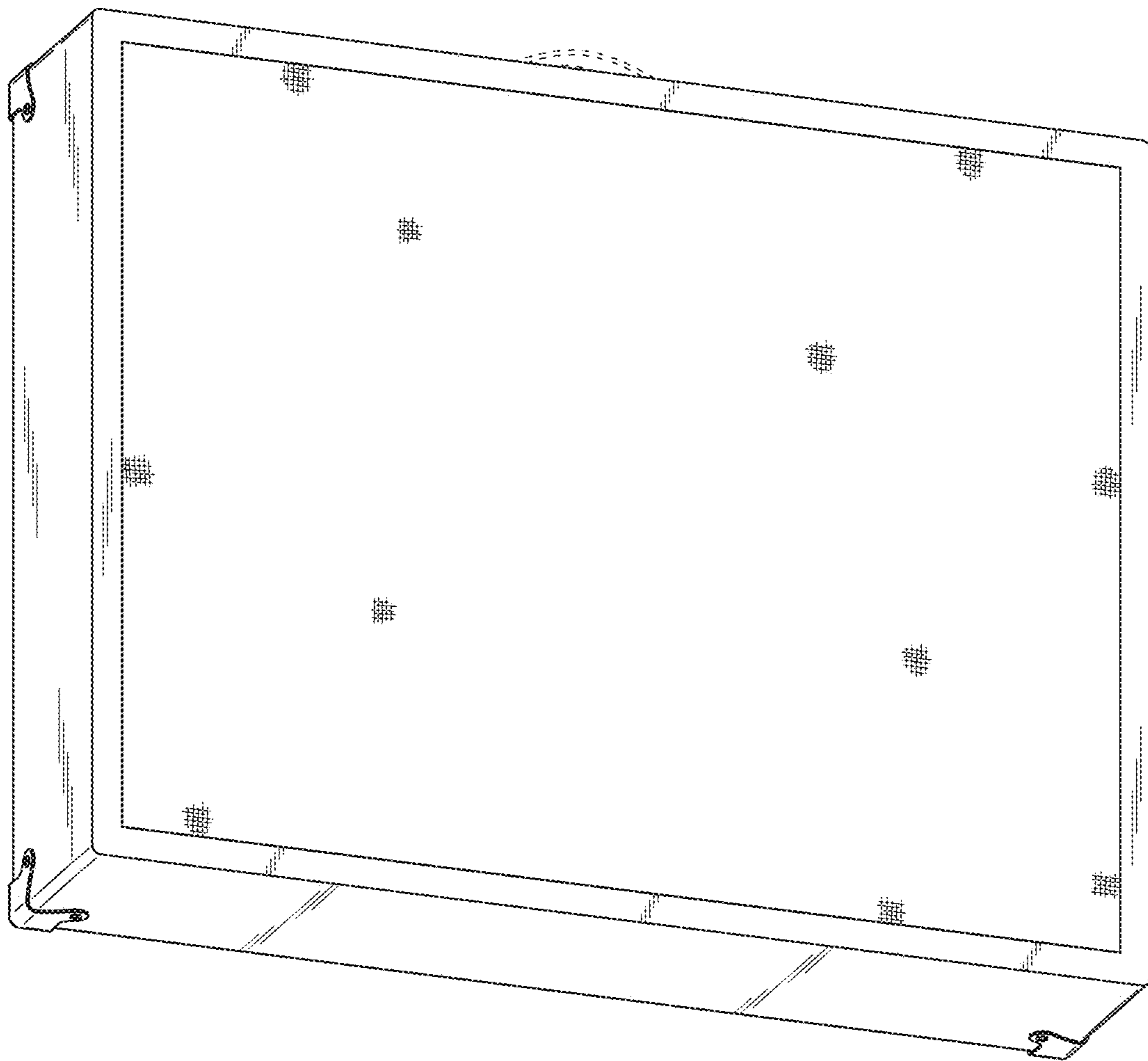


FIG. 2

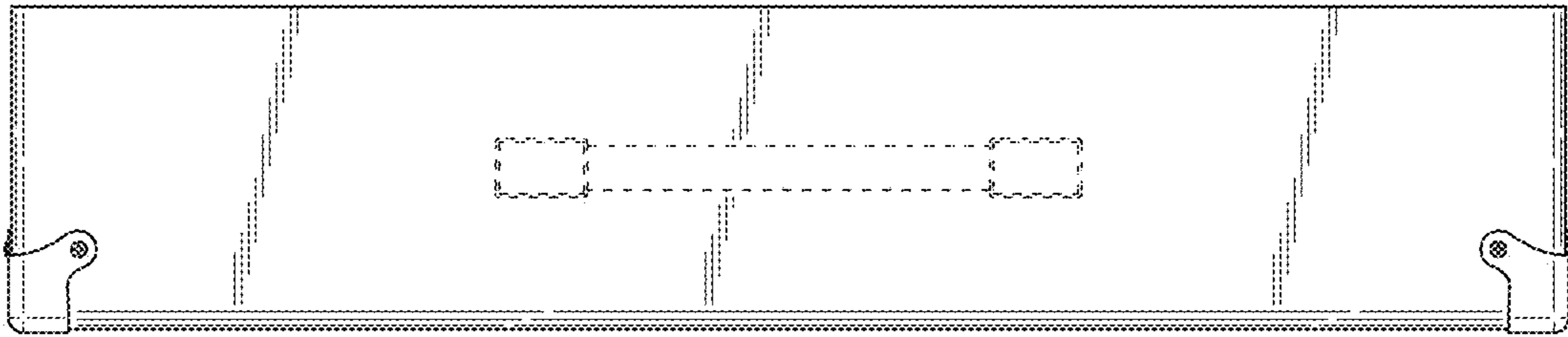


FIG. 4

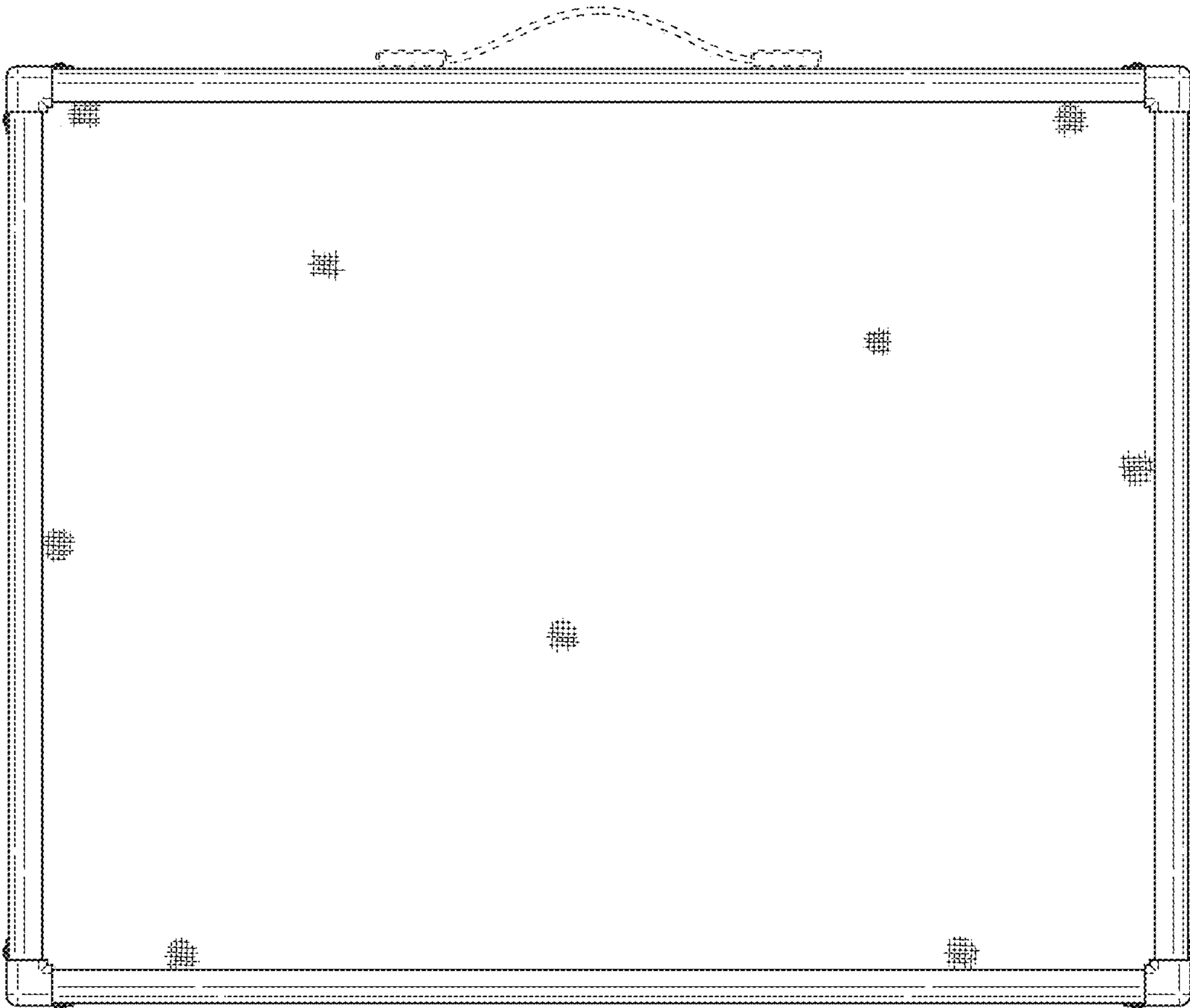


FIG. 3

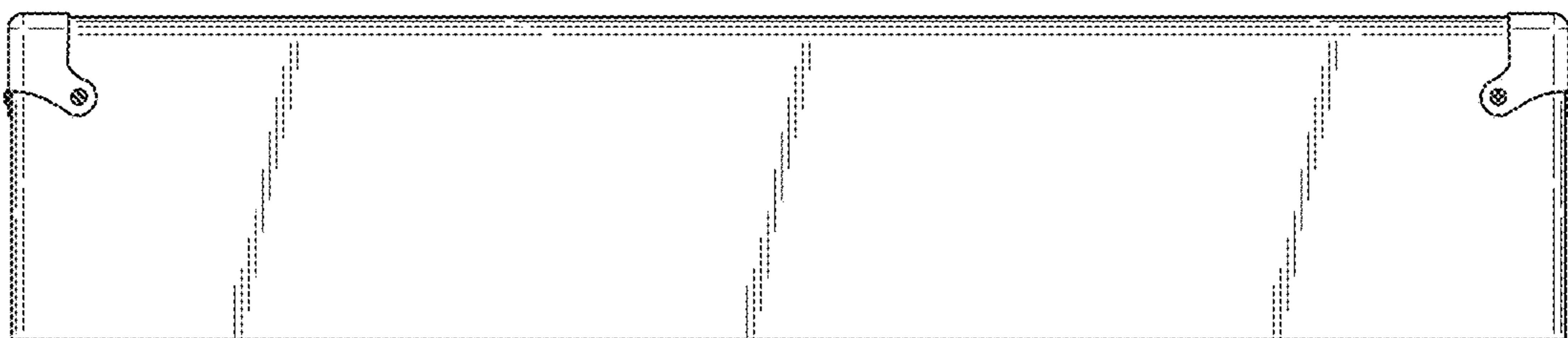


FIG. 5

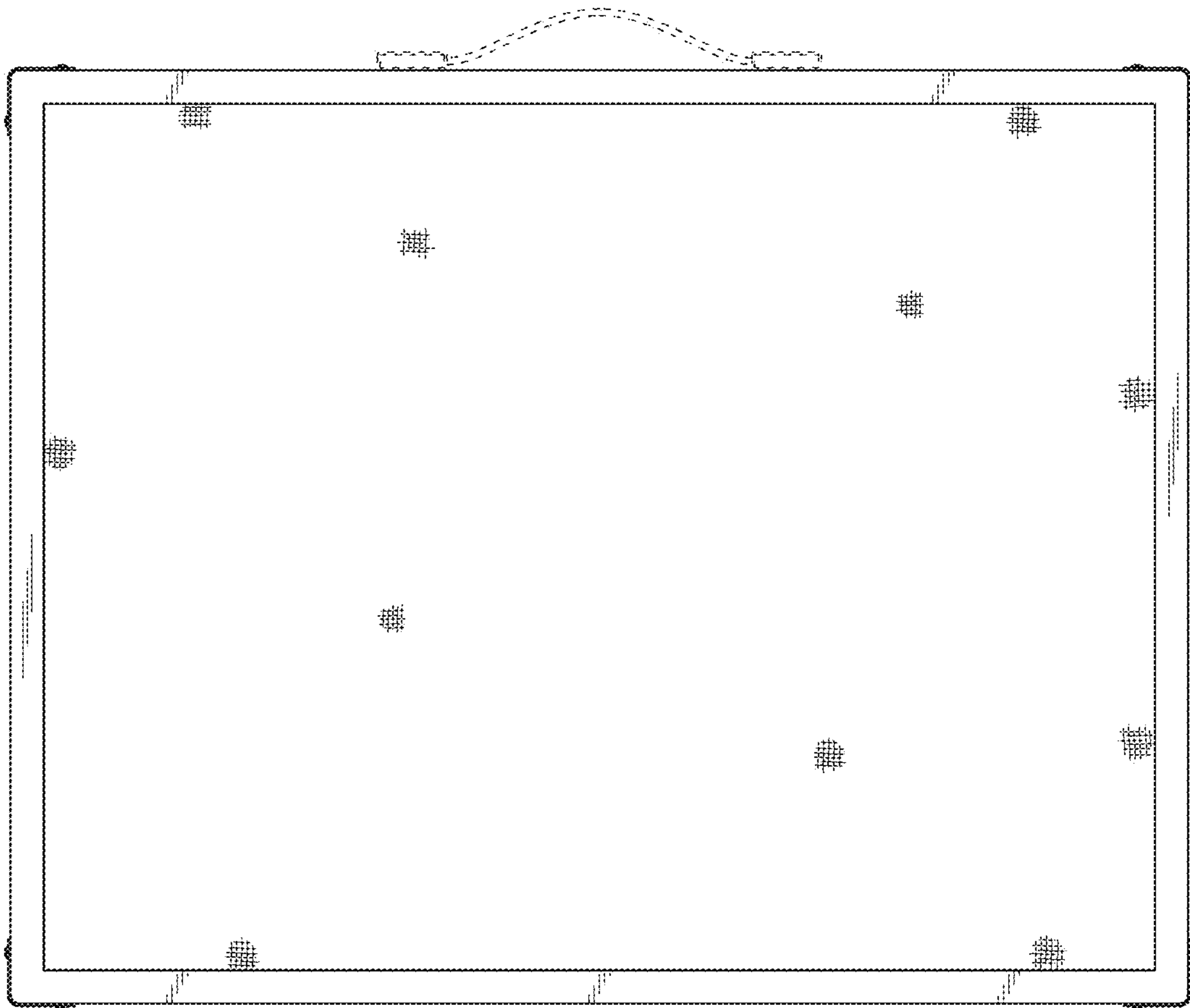


FIG. 6

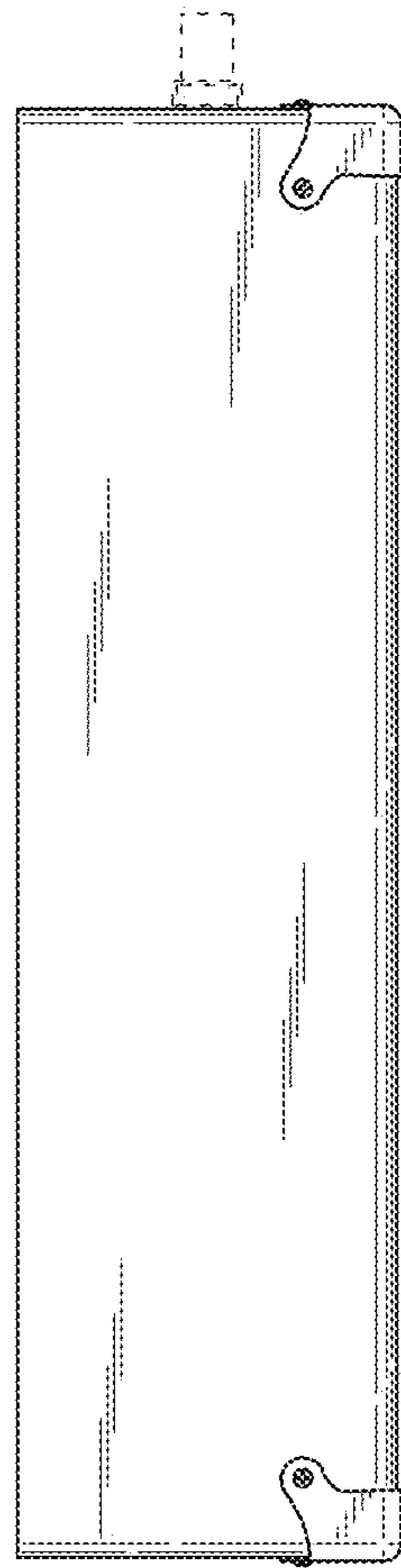


FIG. 7

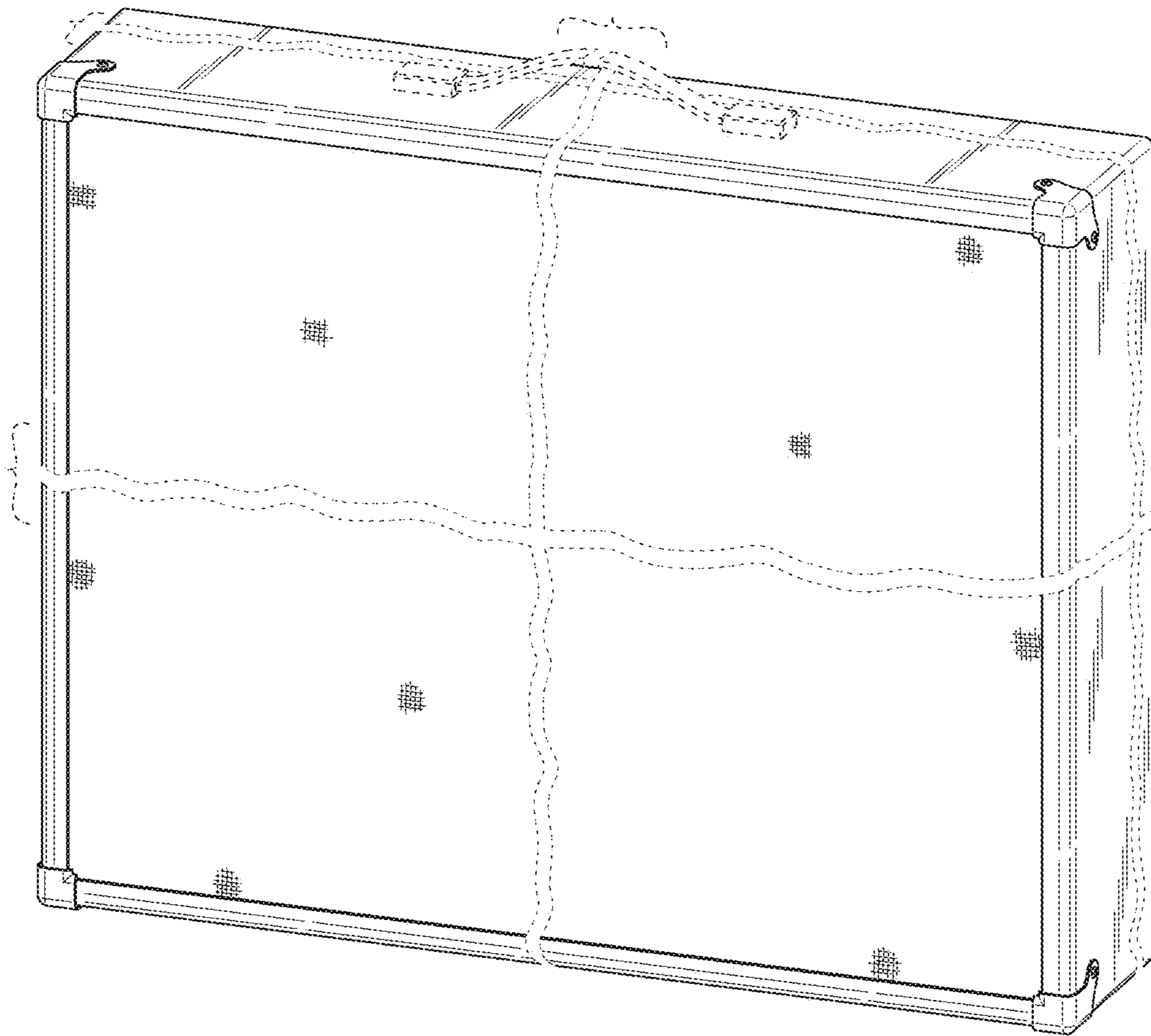


FIG. 8

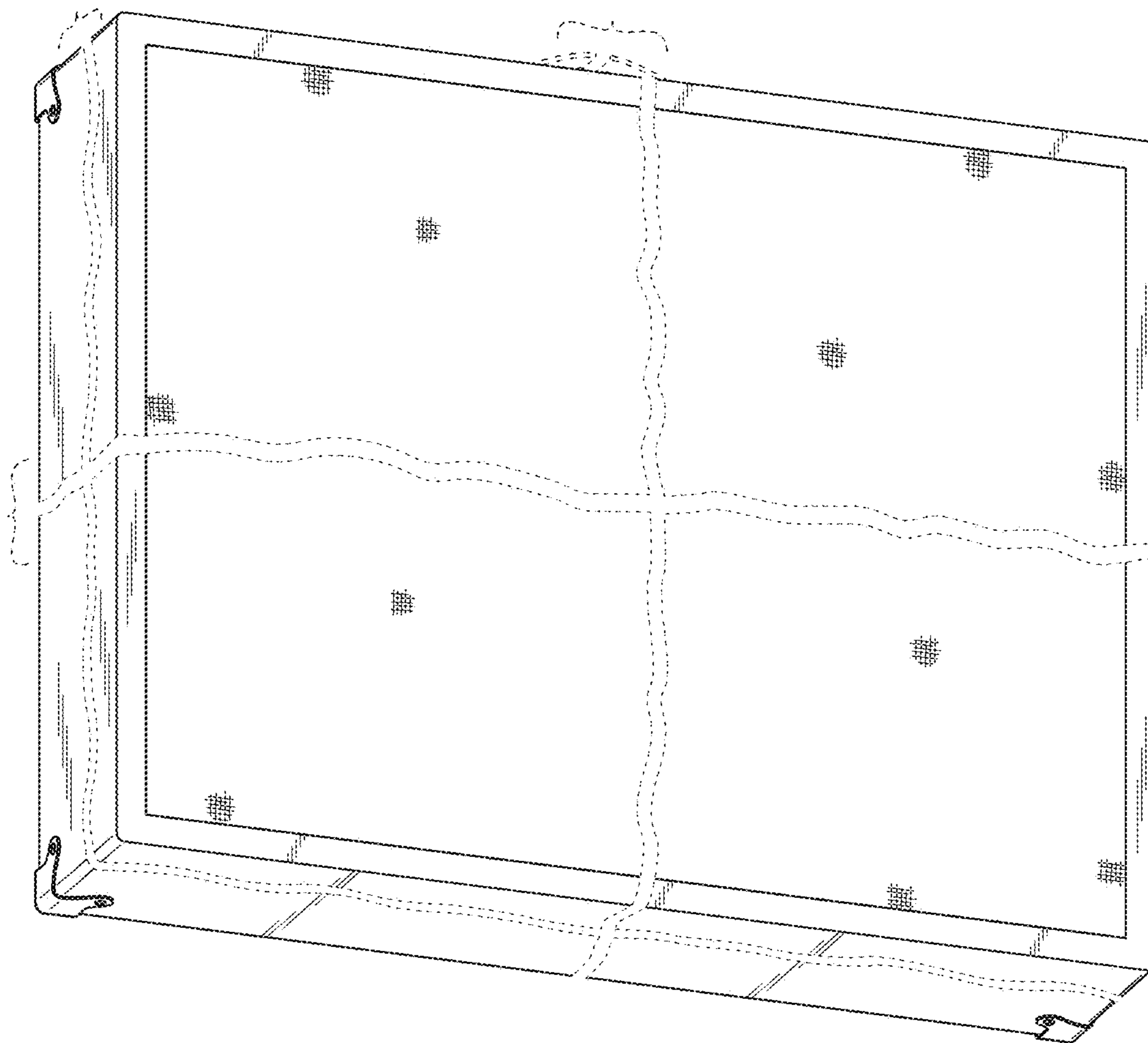


FIG. 9

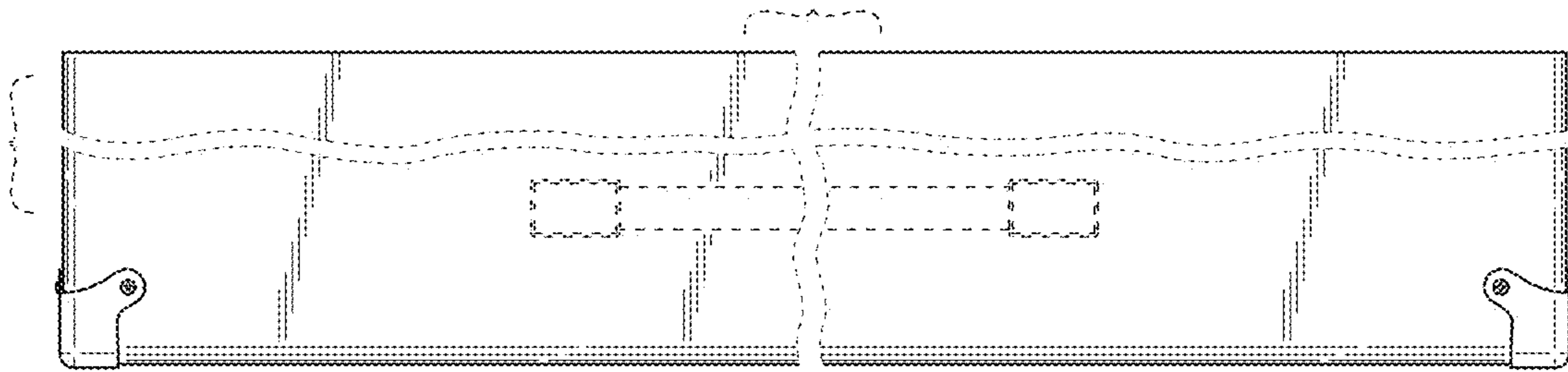


FIG. 11

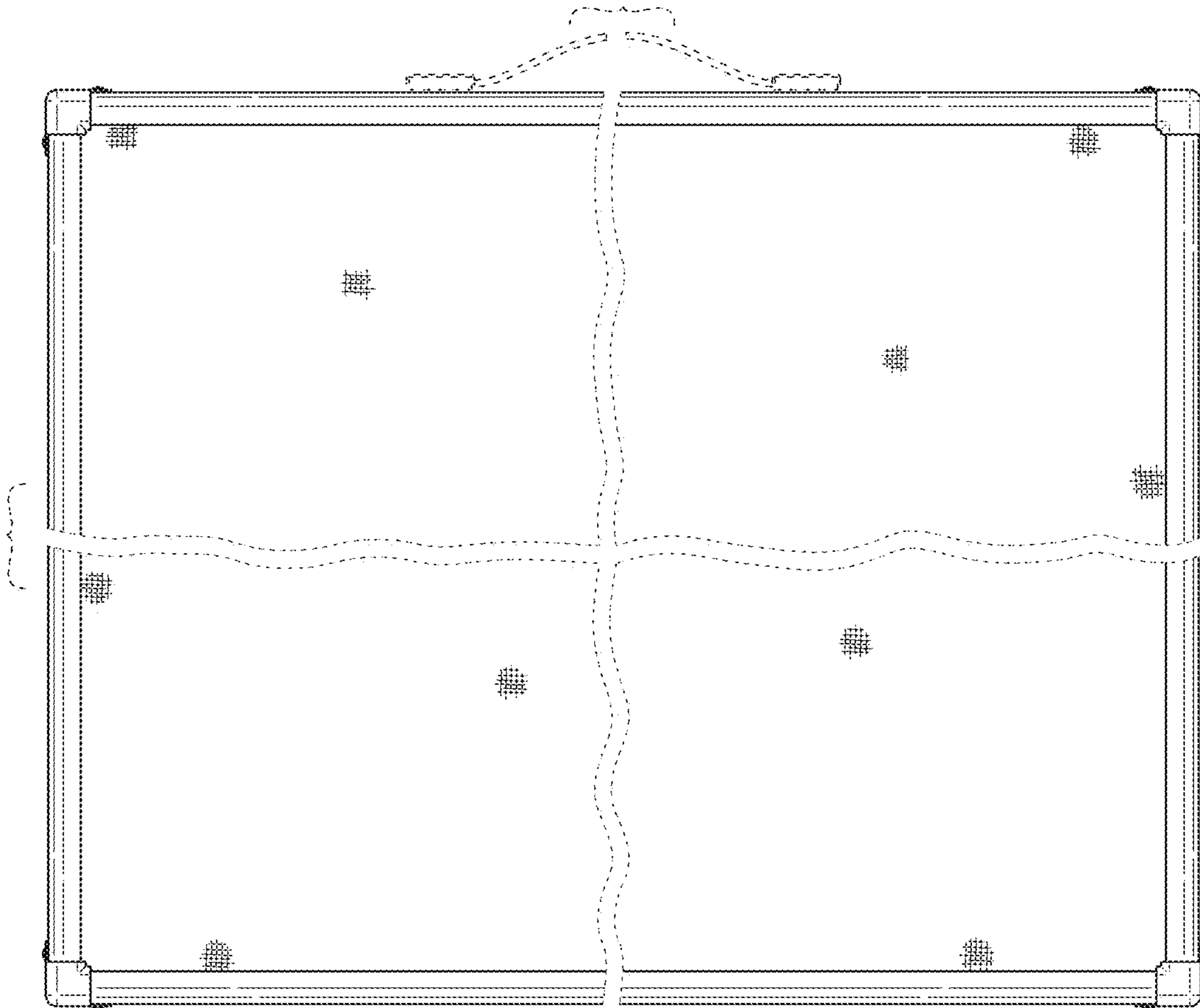


FIG. 10

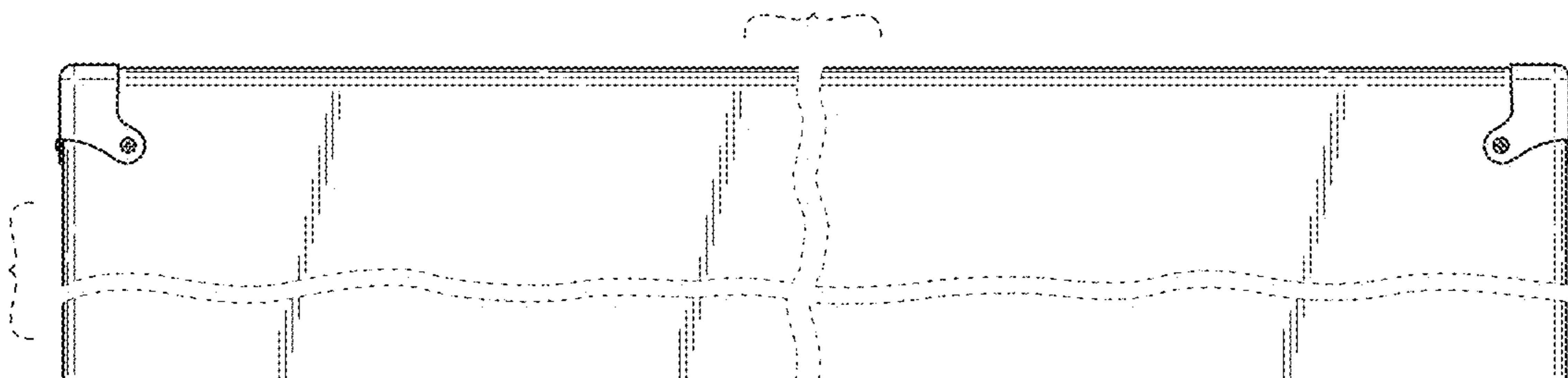


FIG. 12

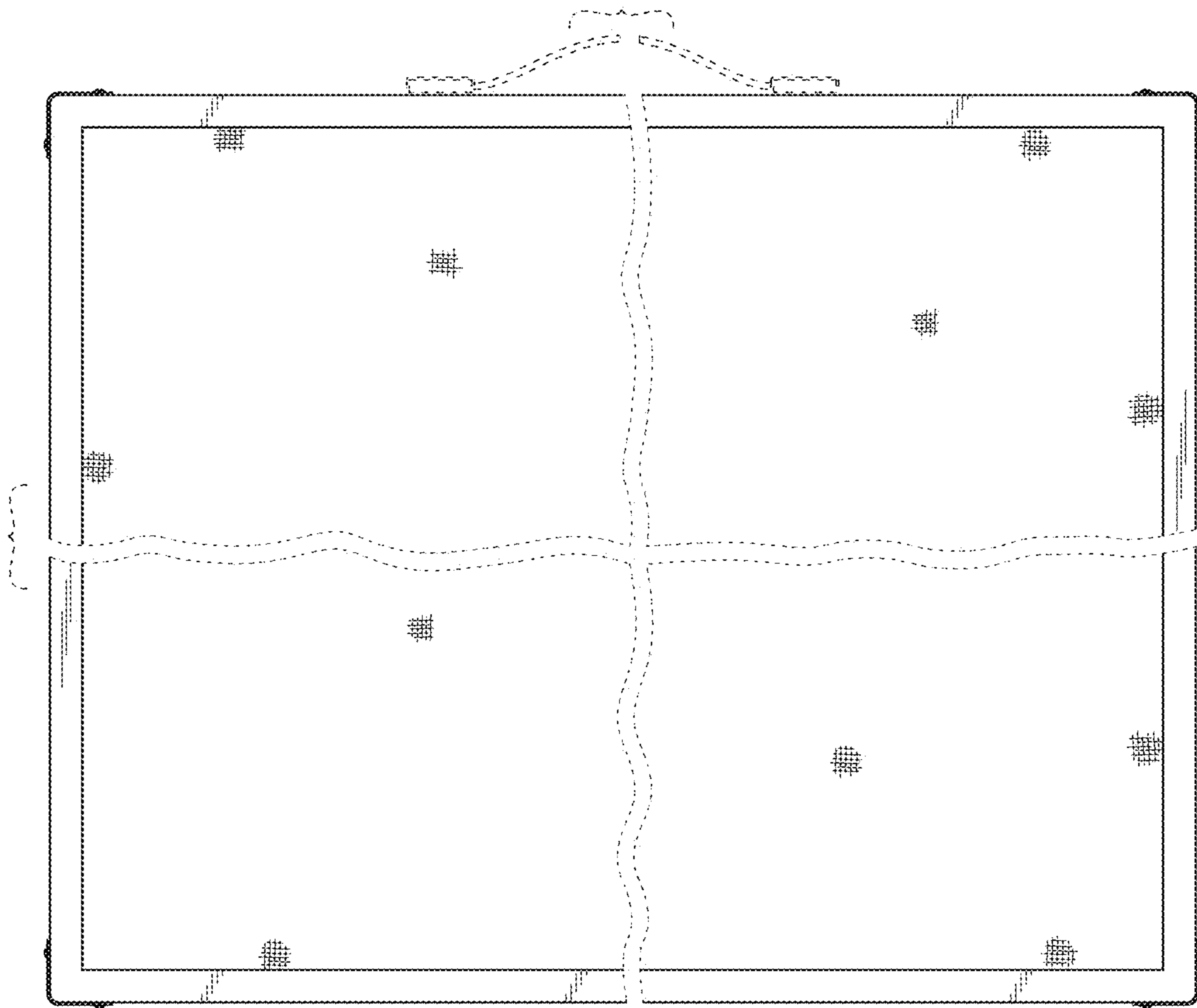


FIG. 13

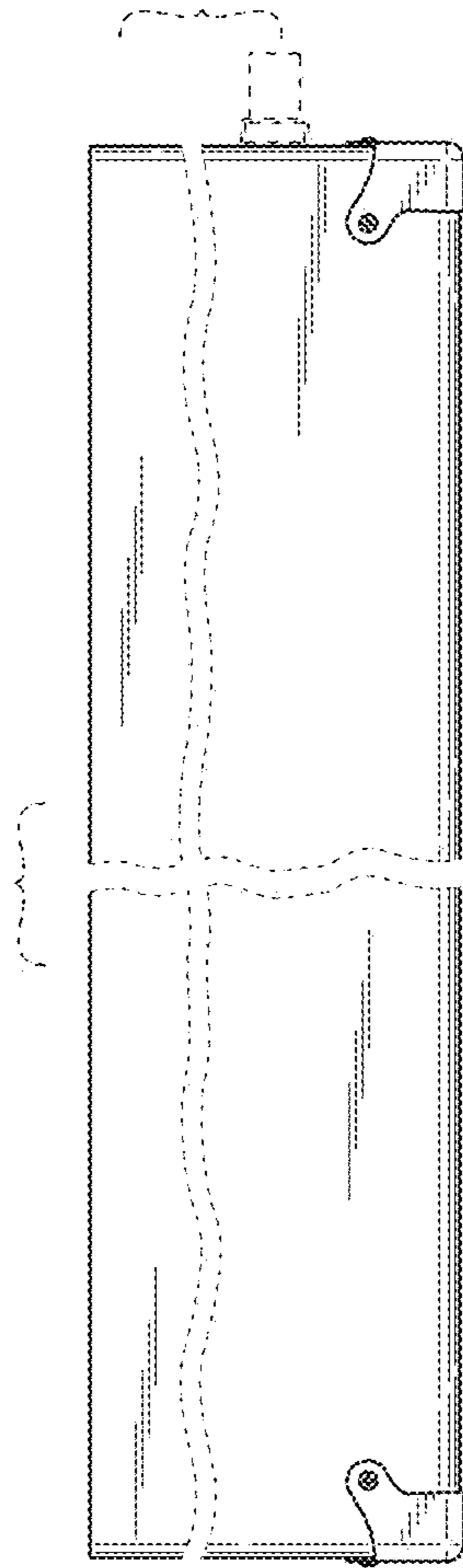


FIG. 14