



US00D925716S

(12) **United States Design Patent** (10) **Patent No.:** **US D925,716 S**
Qin (45) **Date of Patent:** **** Jul. 20, 2021**

(54) **HUMIDIFIER**
(71) Applicant: **Yong Qin**, Foshan (CN)
(72) Inventor: **Yong Qin**, Foshan (CN)
(**) Term: **15 Years**
(21) Appl. No.: **29/750,690**

D865,149 S * 10/2019 Lin D23/364
D879,274 S * 3/2020 Hu D23/356
D886,975 S * 6/2020 Yang D23/364
D888,919 S * 6/2020 Riering-Czekalla D23/364
D890,905 S * 7/2020 Farone D23/364
D905,220 S * 12/2020 Farone D23/364
D905,836 S * 12/2020 Lu D23/333
D906,500 S * 12/2020 Seo D23/356
D906,501 S * 12/2020 Lim D23/364
D908,854 S * 1/2021 Fitzsimmons D23/364
D911,507 S * 2/2021 Guo D23/366

(22) Filed: **Sep. 16, 2020**
(51) **LOC (13) Cl.** **23-04**
(52) **U.S. Cl.**
USPC **D23/356**
(58) **Field of Classification Search**
USPC D23/355-366, 352, 369, 332, 333, 335,
D23/336, 342, 351; 422/120, 122;
55/356, 473, 504; 96/97; 261/DIG. 17,
261/DIG. 65, DIG. 88, DIG. 31
CPC .. A61L 9/16; A61L 9/22; B01D 47/00; B01D
47/027; B01D 2221/02; B01D 2259/4508;
B03C 3/155; B03C 3/368; F24F 3/16;
F24F 13/20; F24F 13/28
See application file for complete search history.

FOREIGN PATENT DOCUMENTS

CN 305680541 S 4/2020

* cited by examiner

Primary Examiner — David G Muller

(57) **CLAIM**

The ornamental design for a humidifier, as shown and described.

DESCRIPTION

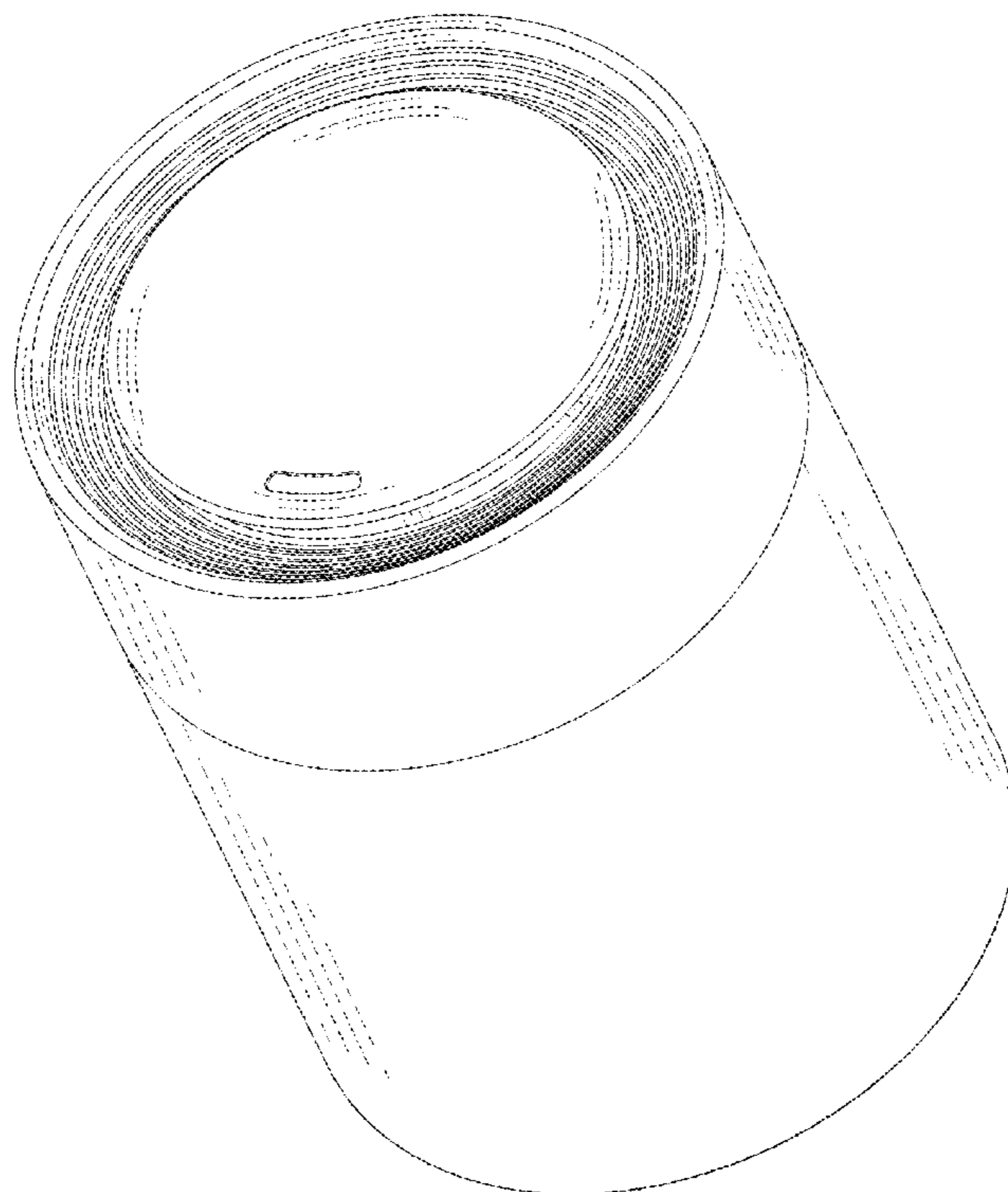
FIG. 1 is a top and front perspective view of a humidifier showing my new design;
FIG. 2 is a bottom and rear perspective view thereof;
FIG. 3 is a front elevation view thereof;
FIG. 4 is a rear elevation view thereof;
FIG. 5 is a left side elevation view thereof;
FIG. 6 is a right side elevation view thereof;
FIG. 7 is a top plan view thereof; and,
FIG. 8 is a bottom plan view thereof.

(56) **References Cited**

U.S. PATENT DOCUMENTS

D826,388 S 8/2018 Yeung
D828,527 S 9/2018 Xu
D835,766 S * 12/2018 Chen D23/364
D847,323 S 4/2019 Gan
D849,218 S 5/2019 Liang
D850,596 S * 6/2019 Wu D23/366
D851,741 S 6/2019 Benau et al.
D864,367 S 10/2019 Chen et al.

1 Claim, 8 Drawing Sheets



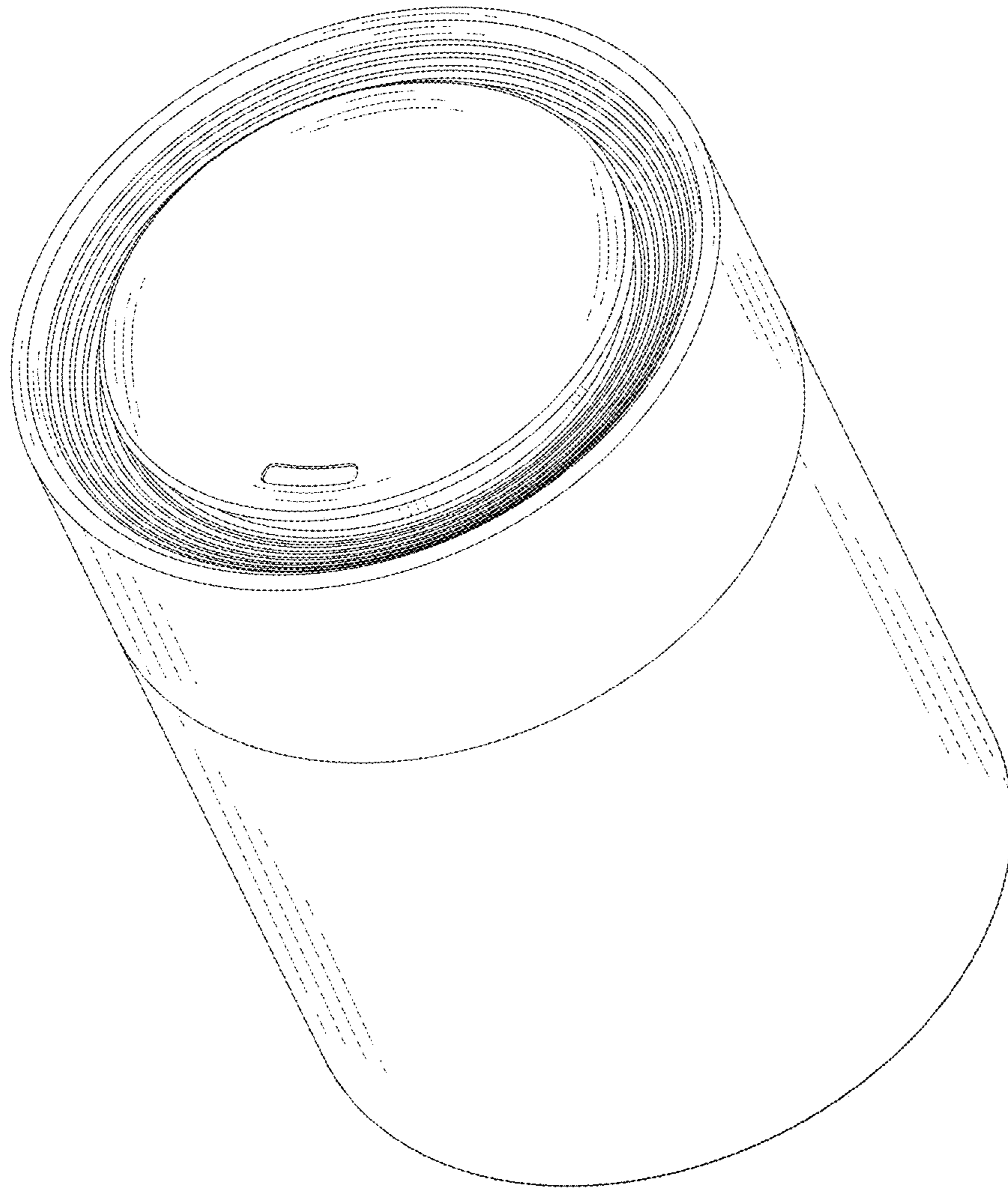


FIG. 1

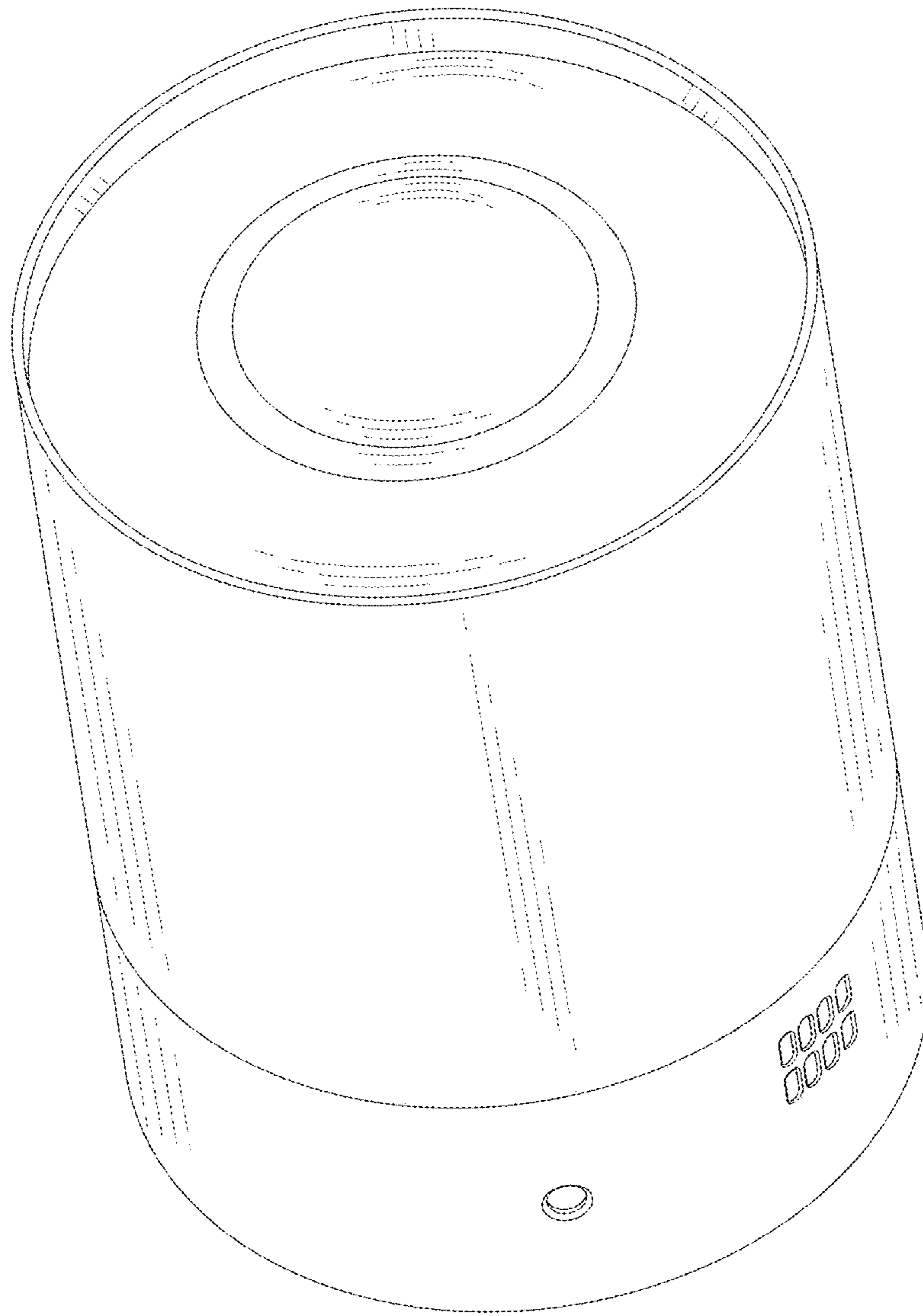


FIG.2

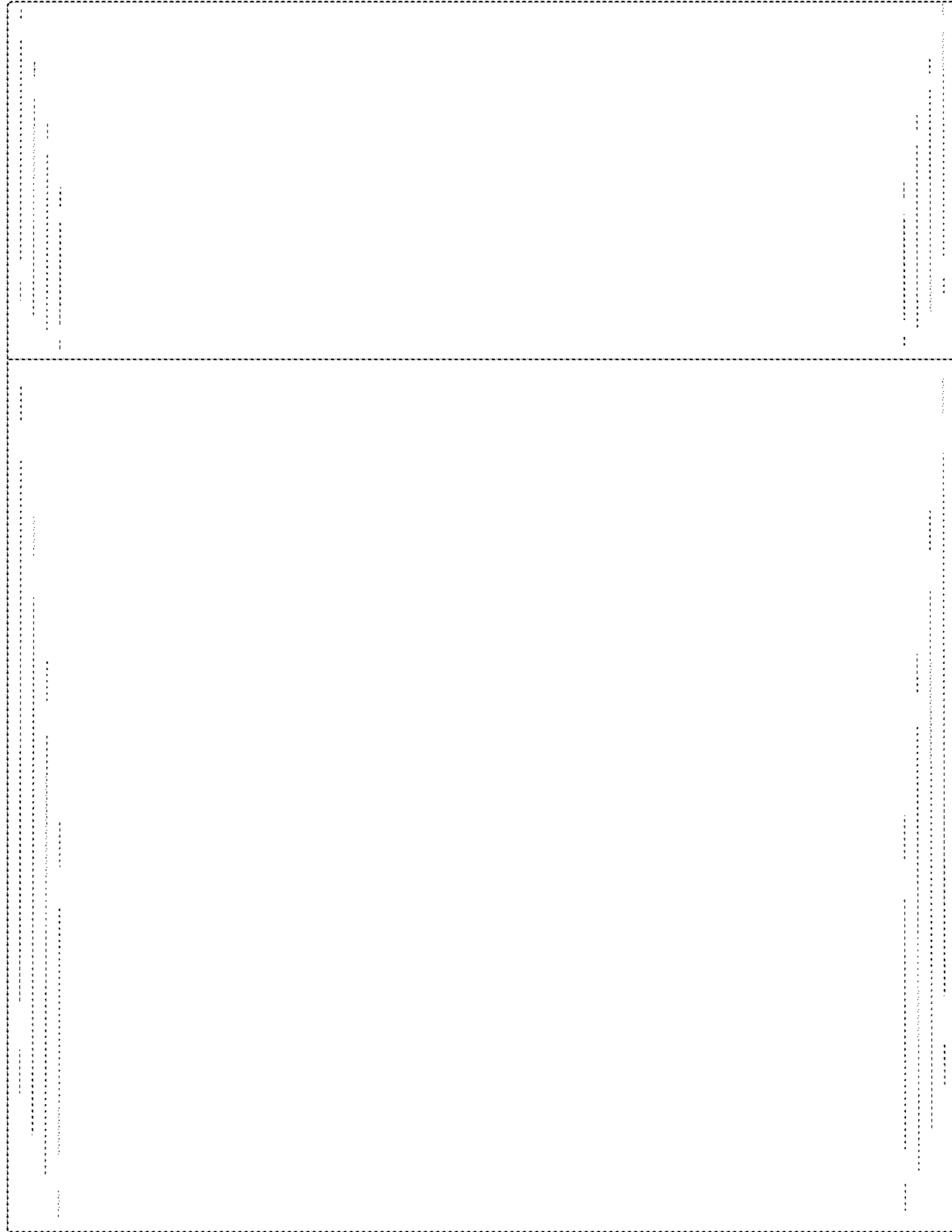


FIG.3

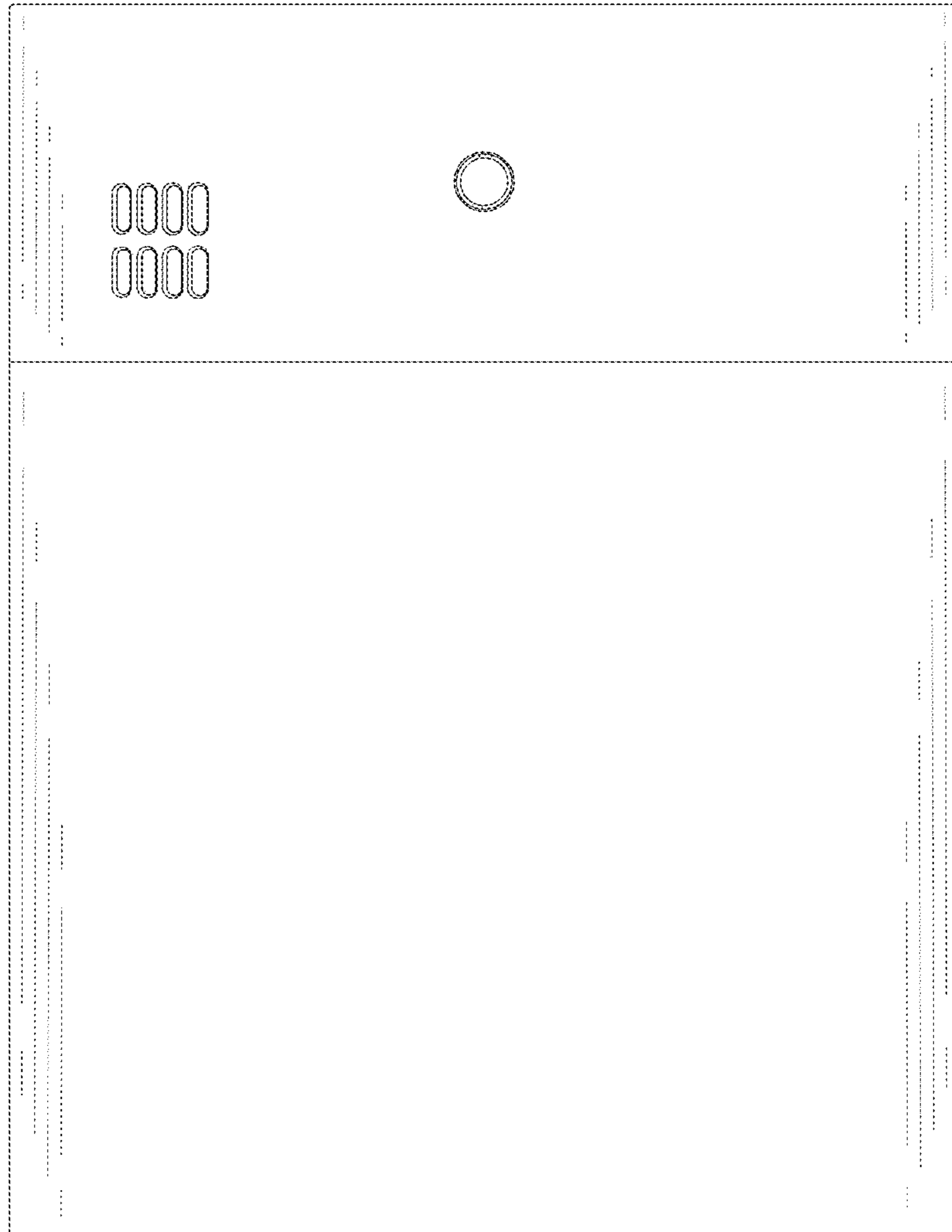


FIG.4

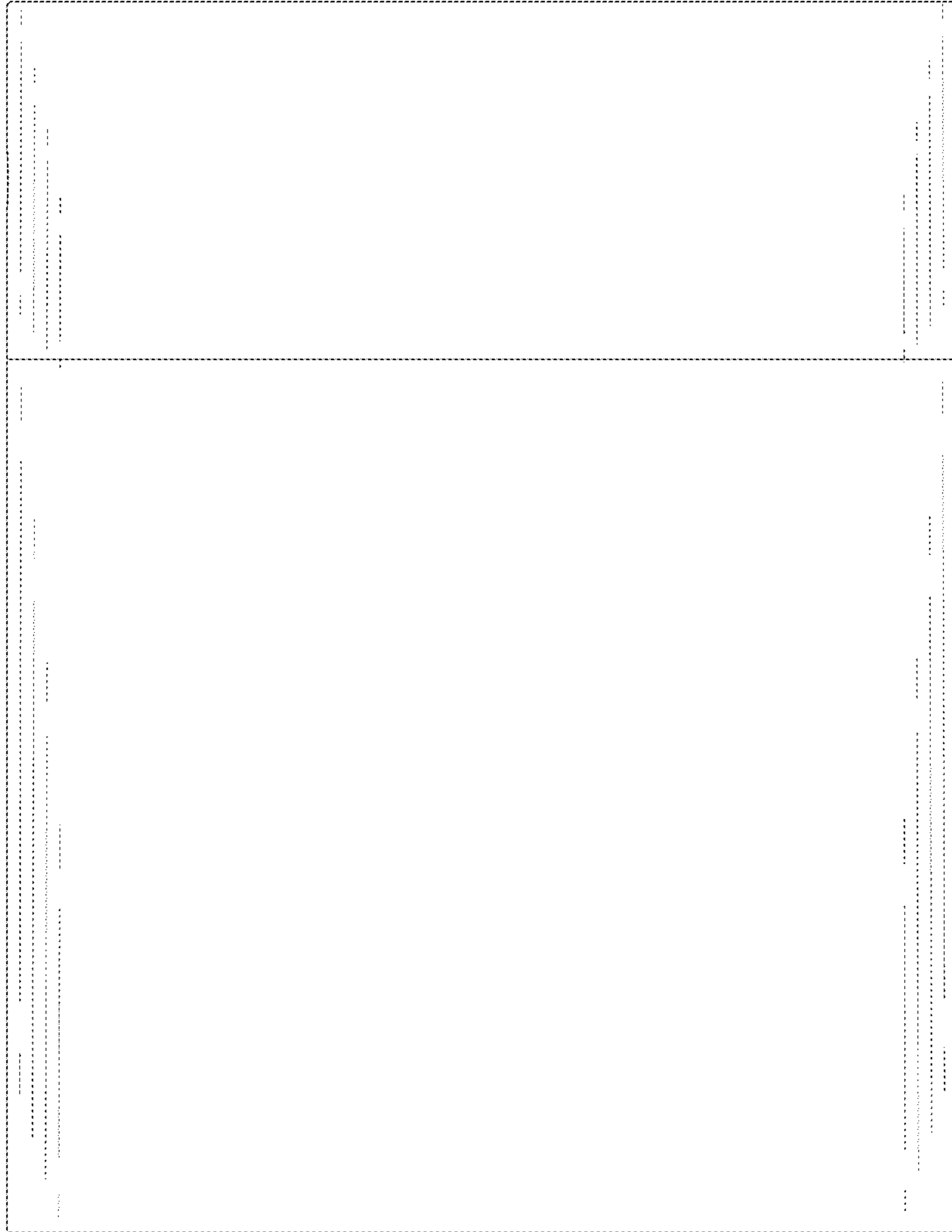


FIG.5

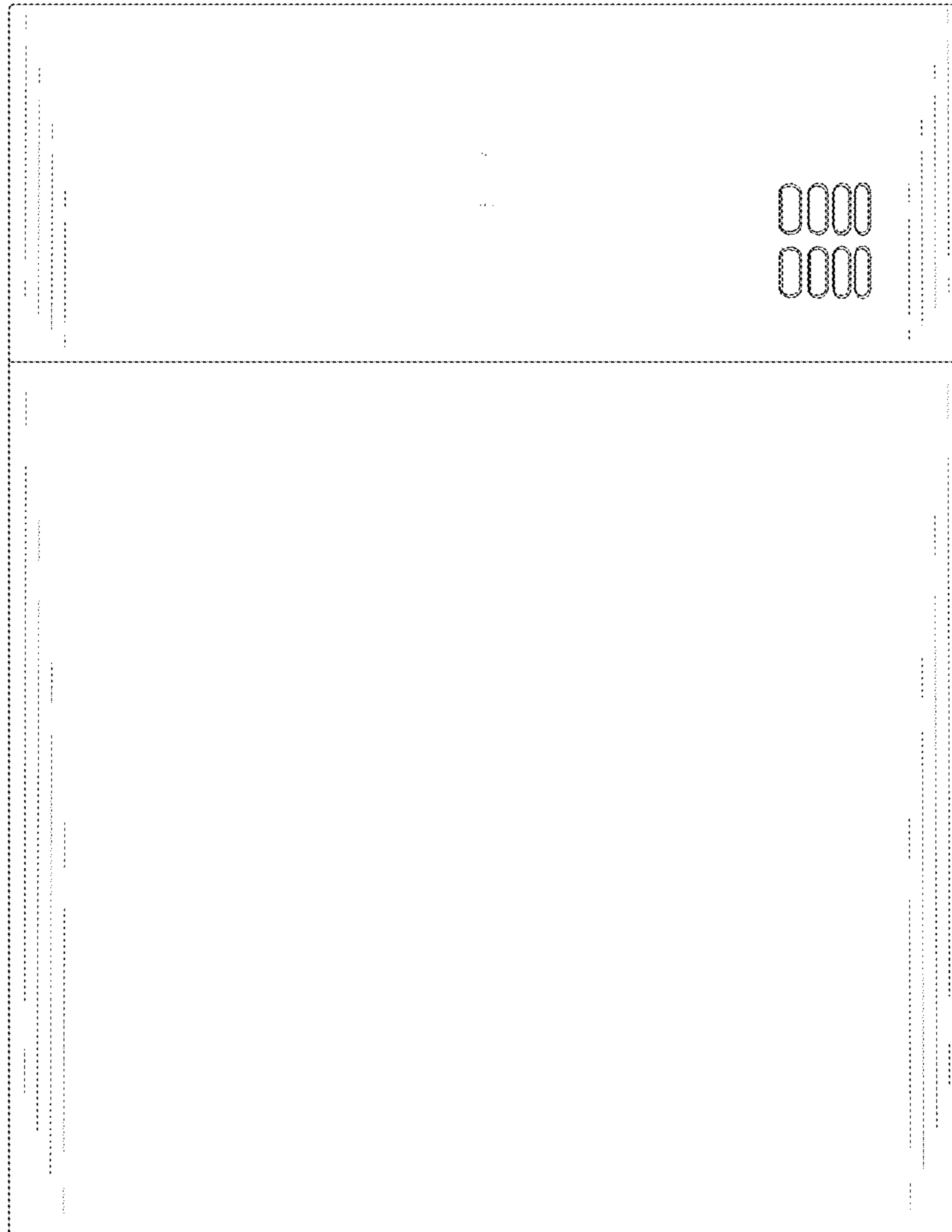


FIG. 6

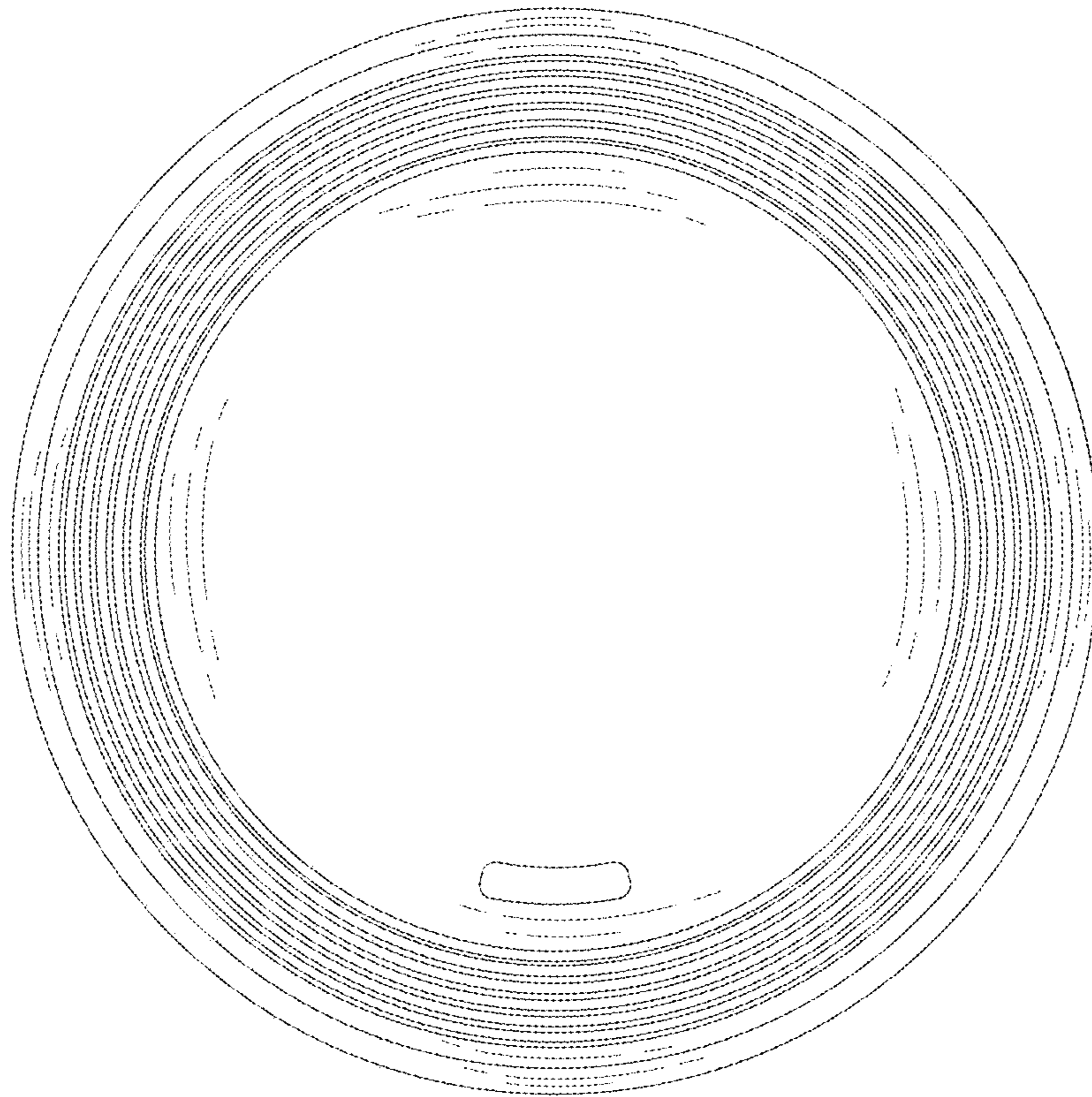


FIG. 7

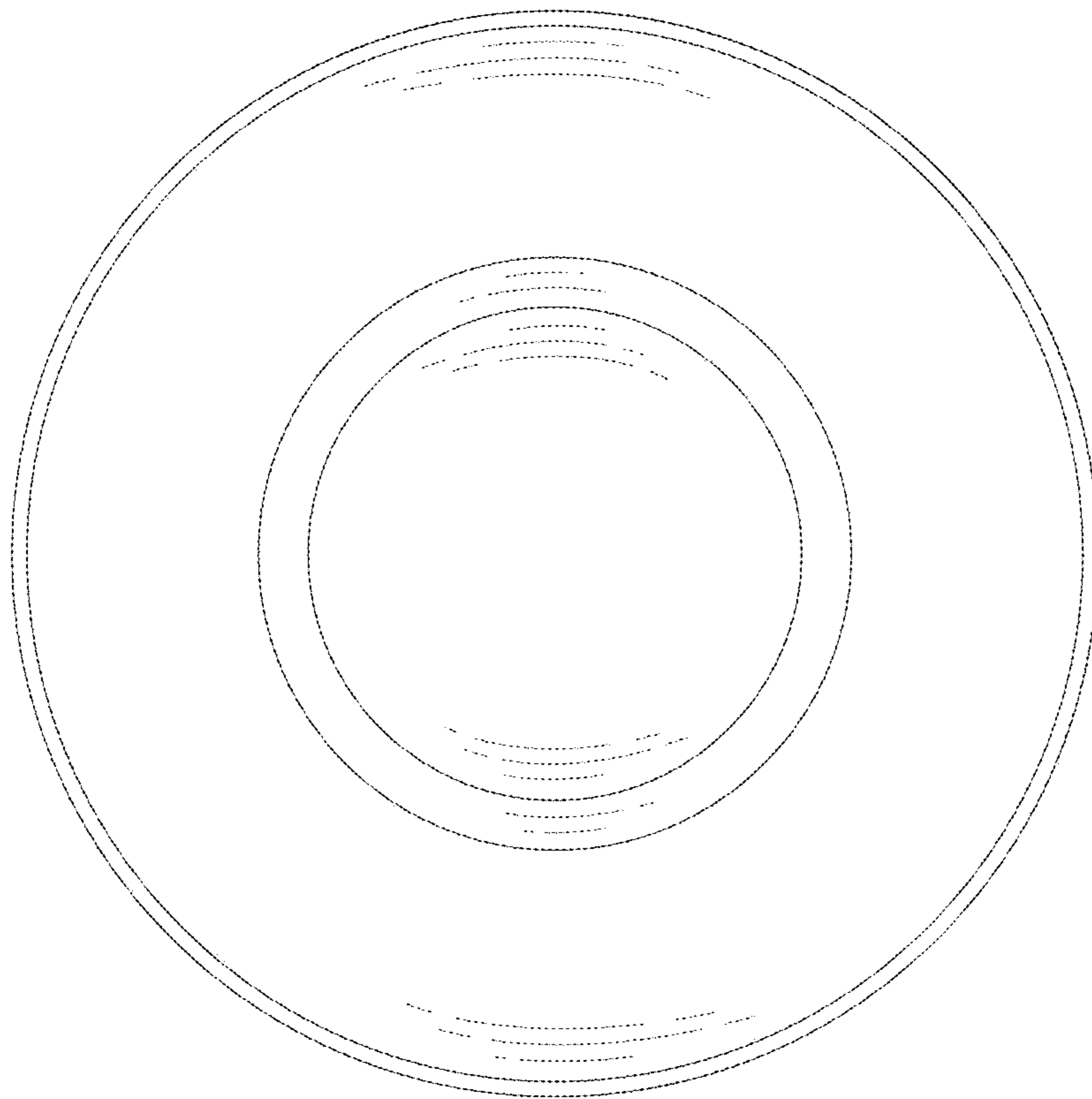


FIG. 8