



US00D925715S

(12) **United States Design Patent**
Chen

(10) **Patent No.:** **US D925,715 S**

(45) **Date of Patent:** **** Jul. 20, 2021**

- (54) **HUMIDIFIER FOGGER**
- (71) Applicant: **Shuquan Chen**, Zhongshan (CN)
- (72) Inventor: **Shuquan Chen**, Zhongshan (CN)
- (73) Assignee: **Zhongshan Yixin E-Commerce Co., Ltd.**, Zhongshan (CN)

| | | | |
|--------------|---------|------------------|---------|
| D859,626 S * | 9/2019 | Hu | D23/366 |
| D862,677 S * | 10/2019 | Li | D23/366 |
| D864,371 S * | 10/2019 | Chen | D23/366 |
| D866,744 S * | 11/2019 | Gobber | D23/366 |
| D869,629 S * | 12/2019 | Li | D23/366 |
| D870,874 S * | 12/2019 | Hu | D23/366 |
| D877,877 S * | 3/2020 | Klipshtein | D23/366 |
| D878,528 S * | 3/2020 | Fu | D23/356 |
| D878,537 S * | 3/2020 | Gobber | D23/366 |

(**) Term: **15 Years**

* cited by examiner

(21) Appl. No.: **29/697,894**

Primary Examiner — David G Muller

(22) Filed: **Jul. 12, 2019**

(57) **CLAIM**

(51) **LOC (13) Cl.** **23-04**

The ornamental design for a humidifier fogger, as shown and described.

(52) **U.S. Cl.**

DESCRIPTION

USPC **D23/356**

(58) **Field of Classification Search**

USPC D23/355–366, 352, 369, 332, 333, 335,
D23/336, 342, 351; 422/120, 122;
55/356, 473, 504; 96/97; D14/188, 170,
D14/171, 172; 261/DIG. 17, DIG. 65,
261/DIG. 88, DIG. 31; D18/34.6
CPC .. A61L 9/16; A61L 9/22; B01D 47/00; B01D
47/027; B01D 2221/02; B01D 2259/4508;
B03C 3/155; B03C 3/368; F24F 3/16;
F24F 13/20; F24F 13/28; F24F
2001/0096

See application file for complete search history.

FIG. 1 is a front, top and right side perspective view of a humidifier fogger showing my new design;
FIG. 2 is a rear, bottom and right side perspective view thereof;
FIG. 3 is a front elevation view thereof;
FIG. 4 is a rear elevation view thereof;
FIG. 5 is a left side elevation view thereof;
FIG. 6 is a right side elevation view thereof;
FIG. 7 is a top plan view thereof; and,
FIG. 8 is a bottom plan view thereof.

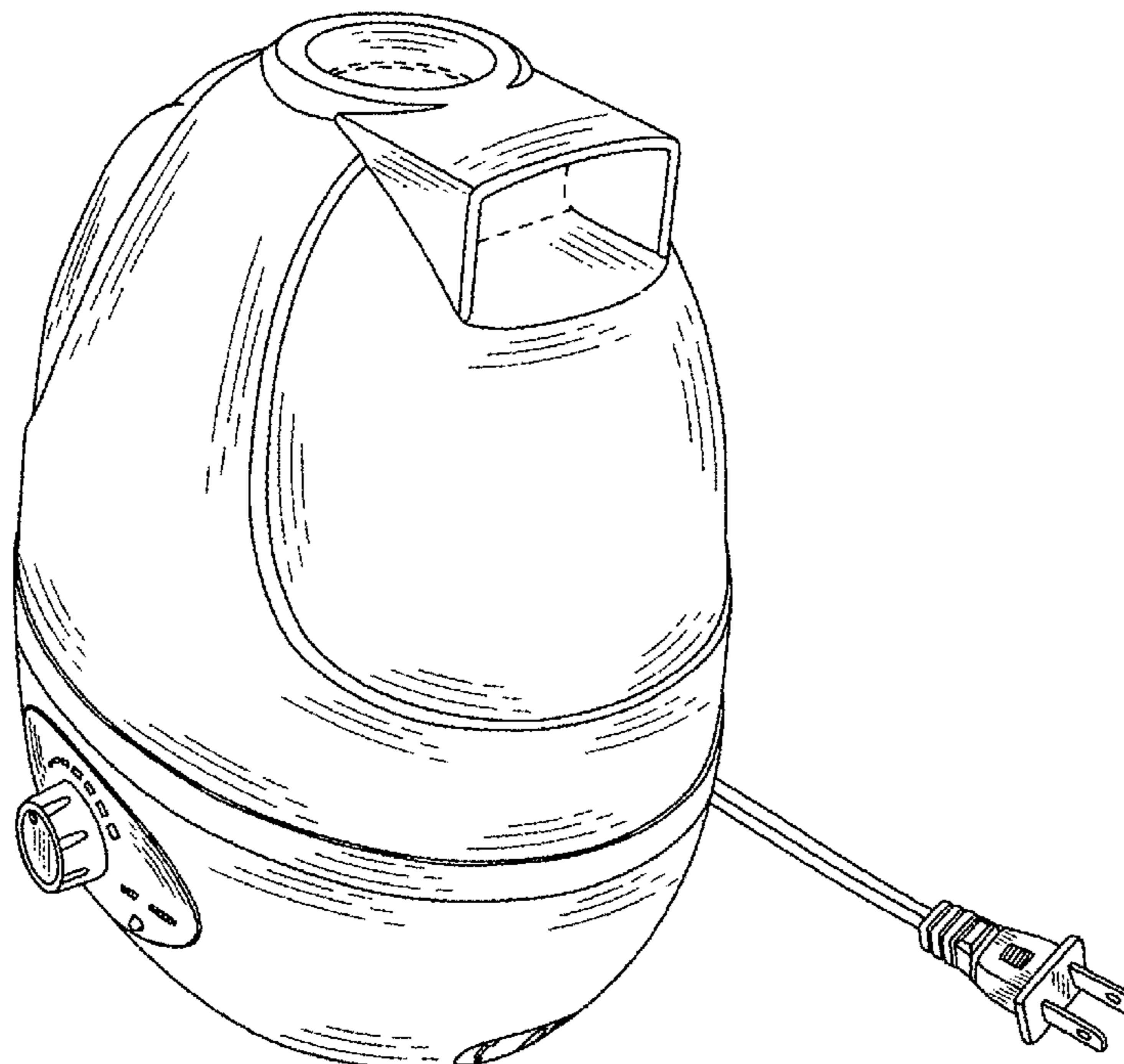
(56) **References Cited**

U.S. PATENT DOCUMENTS

| | | | |
|--------------|--------|--------------|---------|
| D844,127 S * | 3/2019 | Wang | D23/366 |
| D851,227 S * | 6/2019 | Chen | D23/356 |
| D856,501 S * | 8/2019 | Netkin | D23/366 |
| D857,185 S * | 8/2019 | Hu | D23/356 |

The power cord is shown with a symbolic break in its length. The appearance of any portion of the article between the break lines forms no part of the claimed design. The broken lines showing in the middle portion of the wire indicates that the appearance of any portion of the article between the break lines forms no part of the claimed design. The broken lines depict portions of the humidifier fogger and form no part of the claimed design.

1 Claim, 8 Drawing Sheets



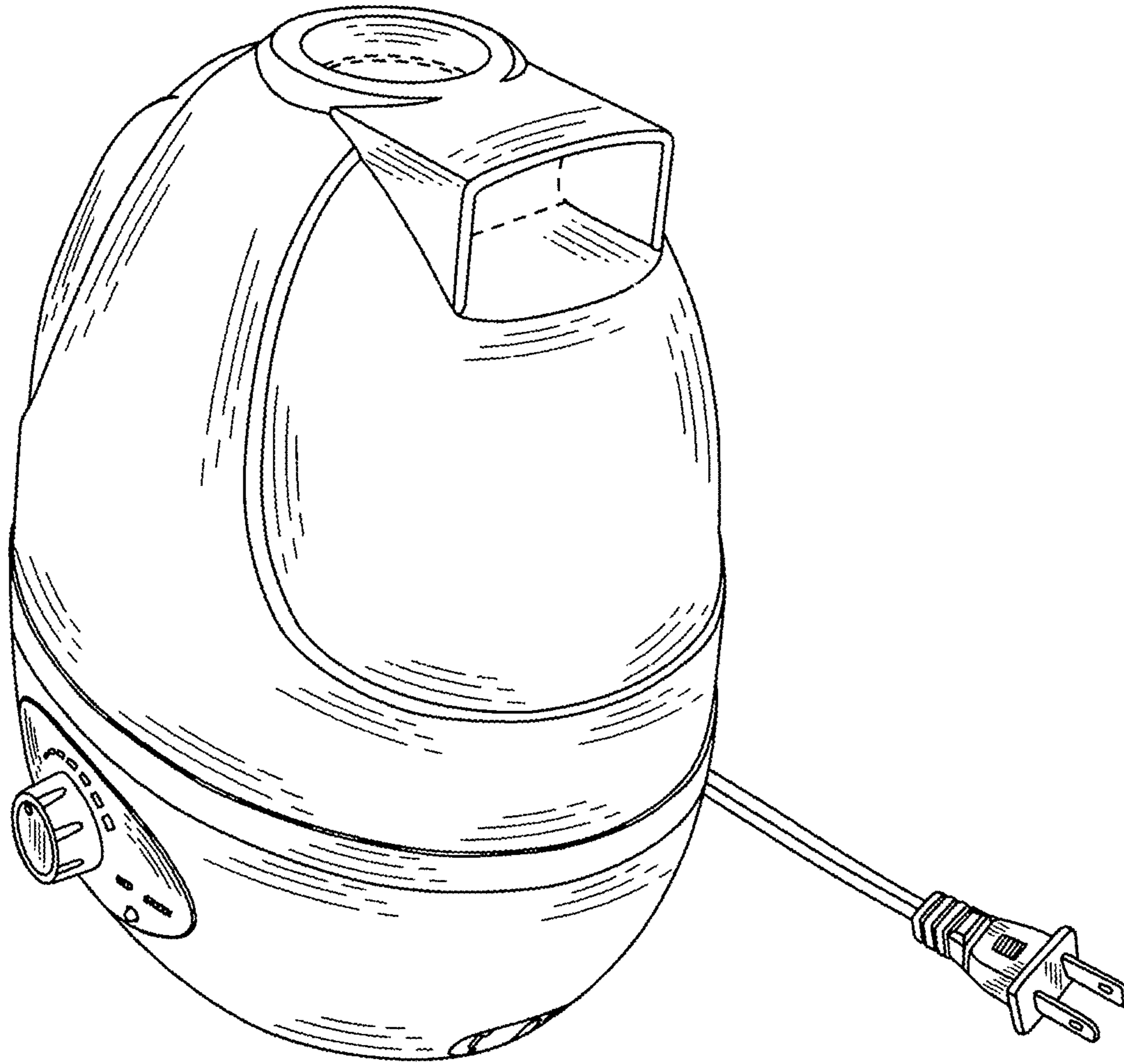


FIG. 1

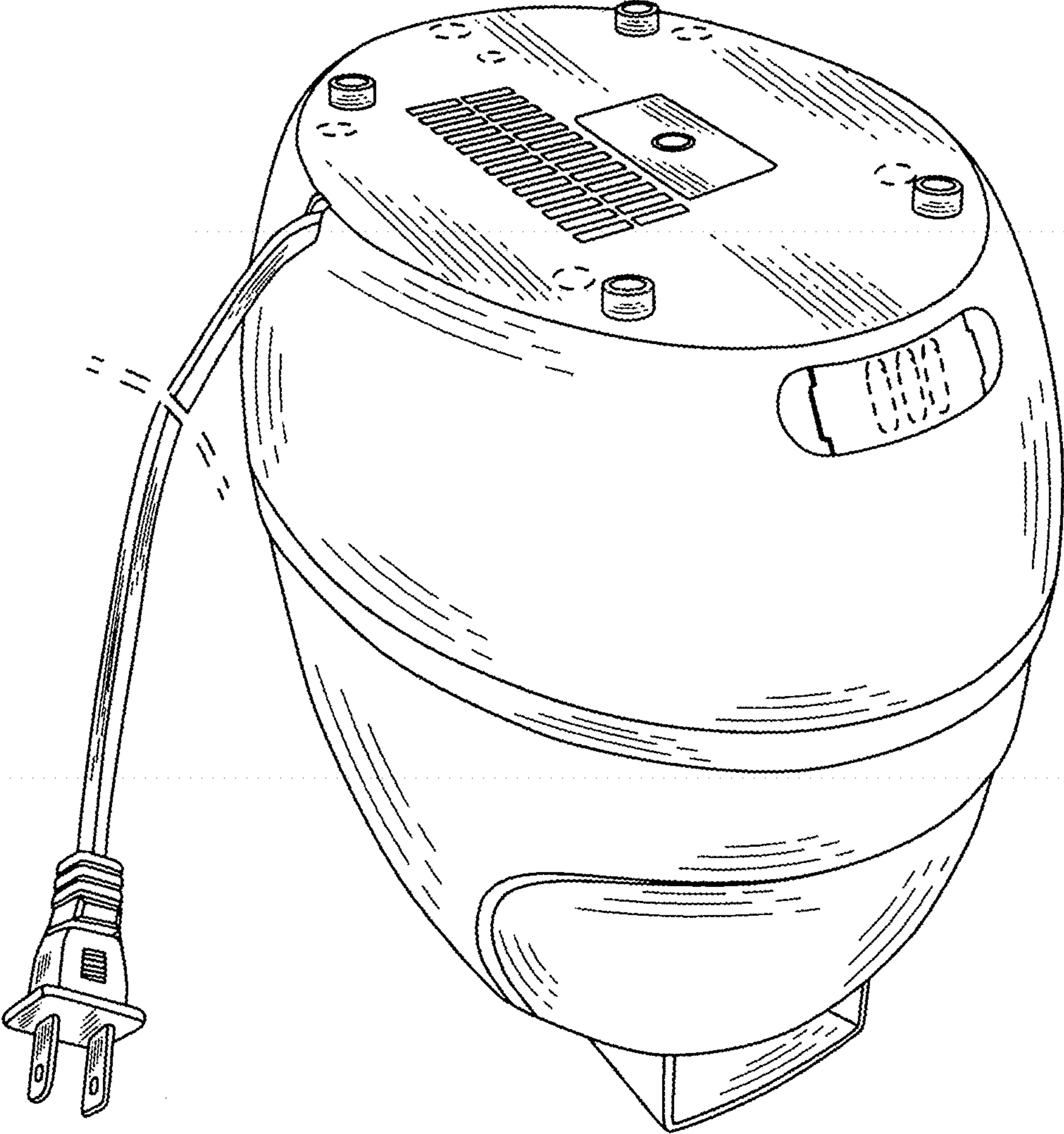


FIG. 2

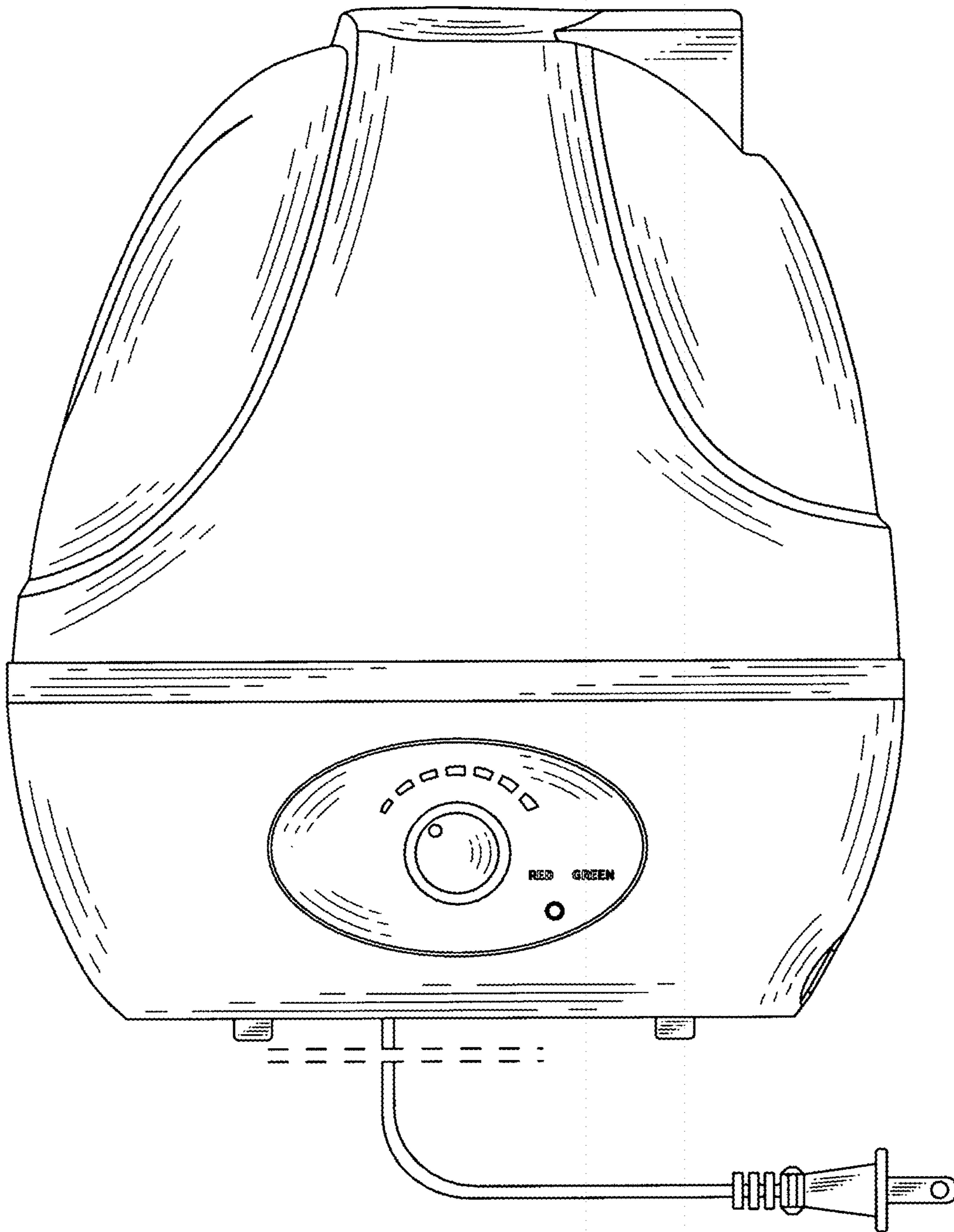


FIG. 3

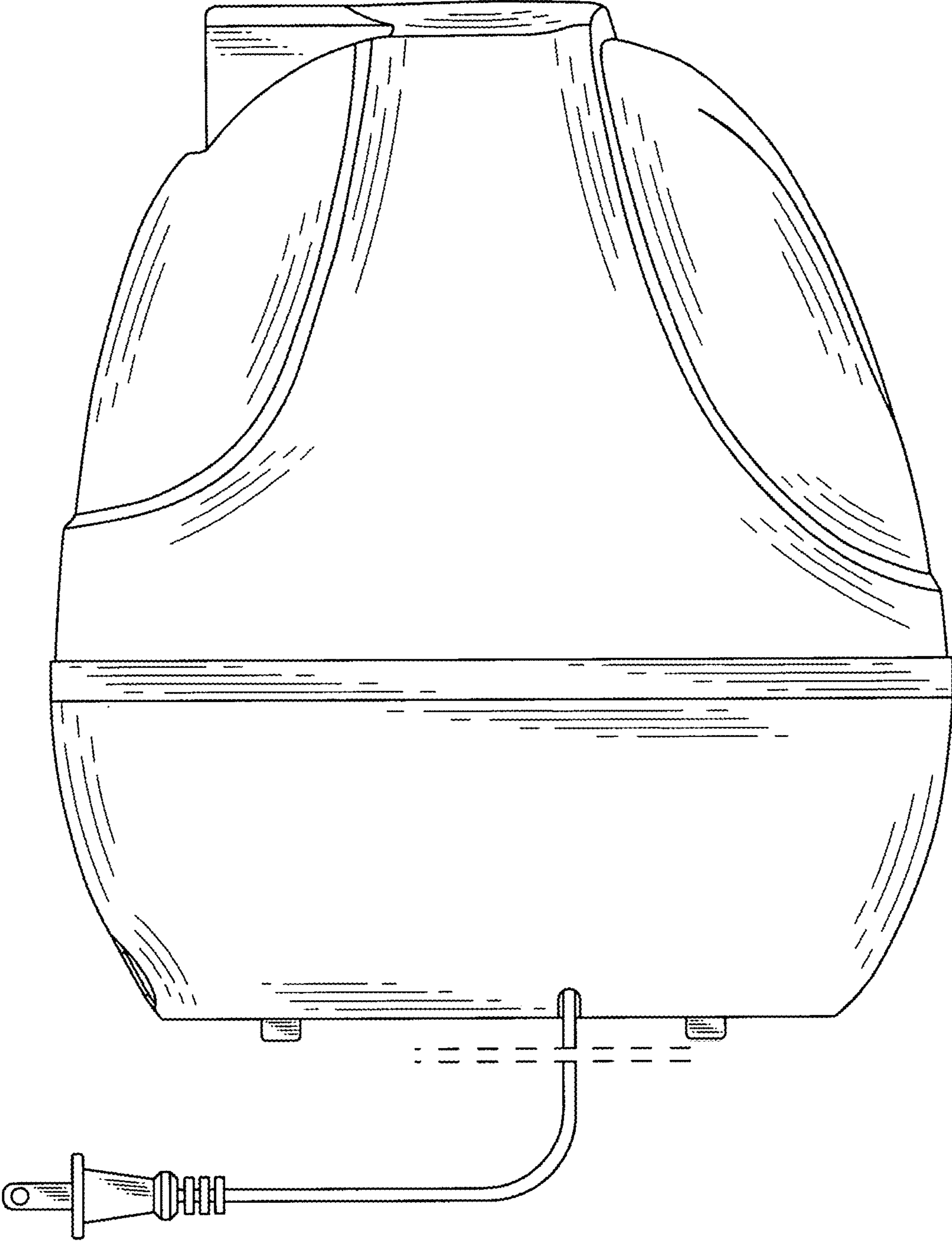


FIG. 4

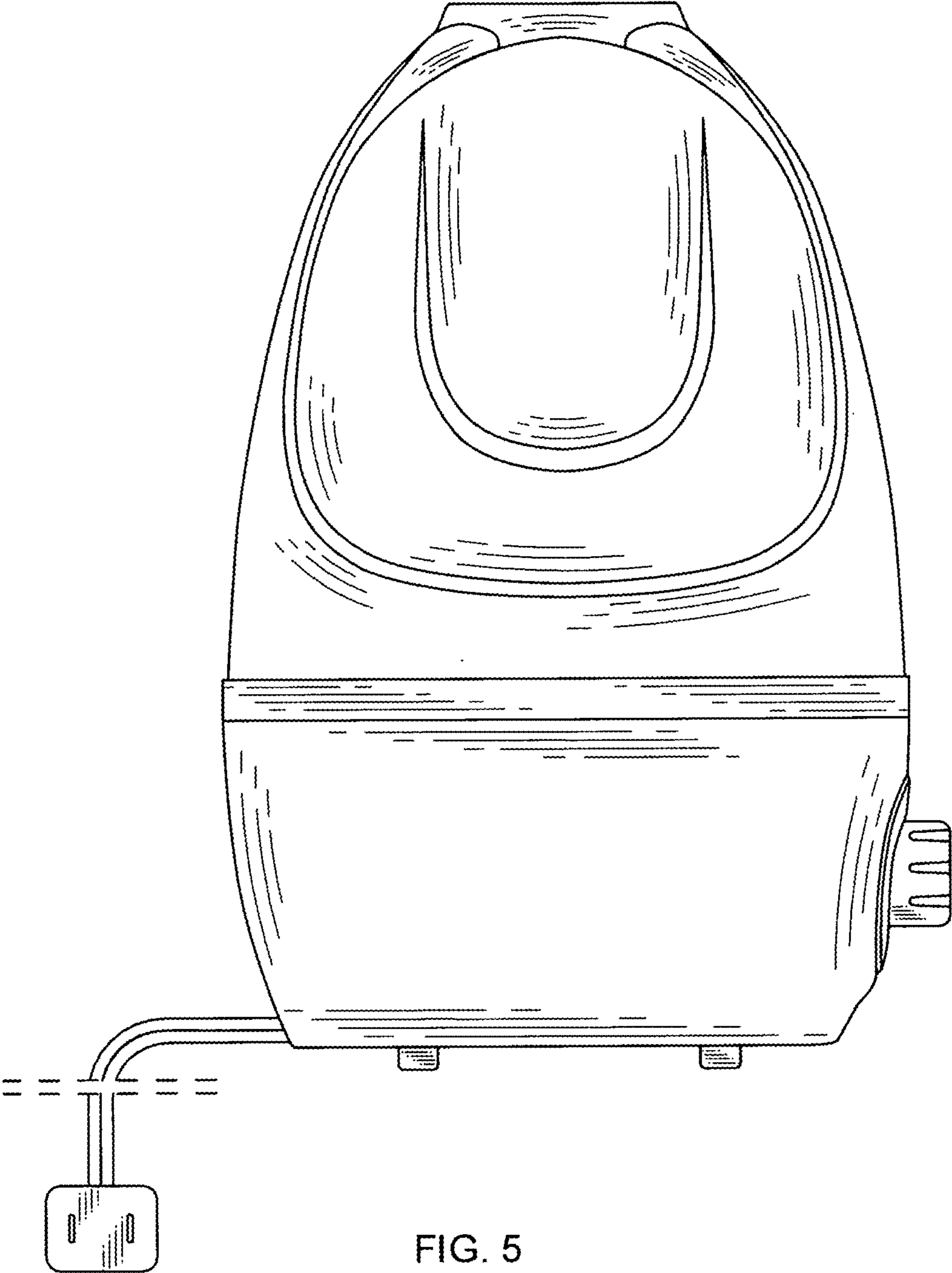


FIG. 5

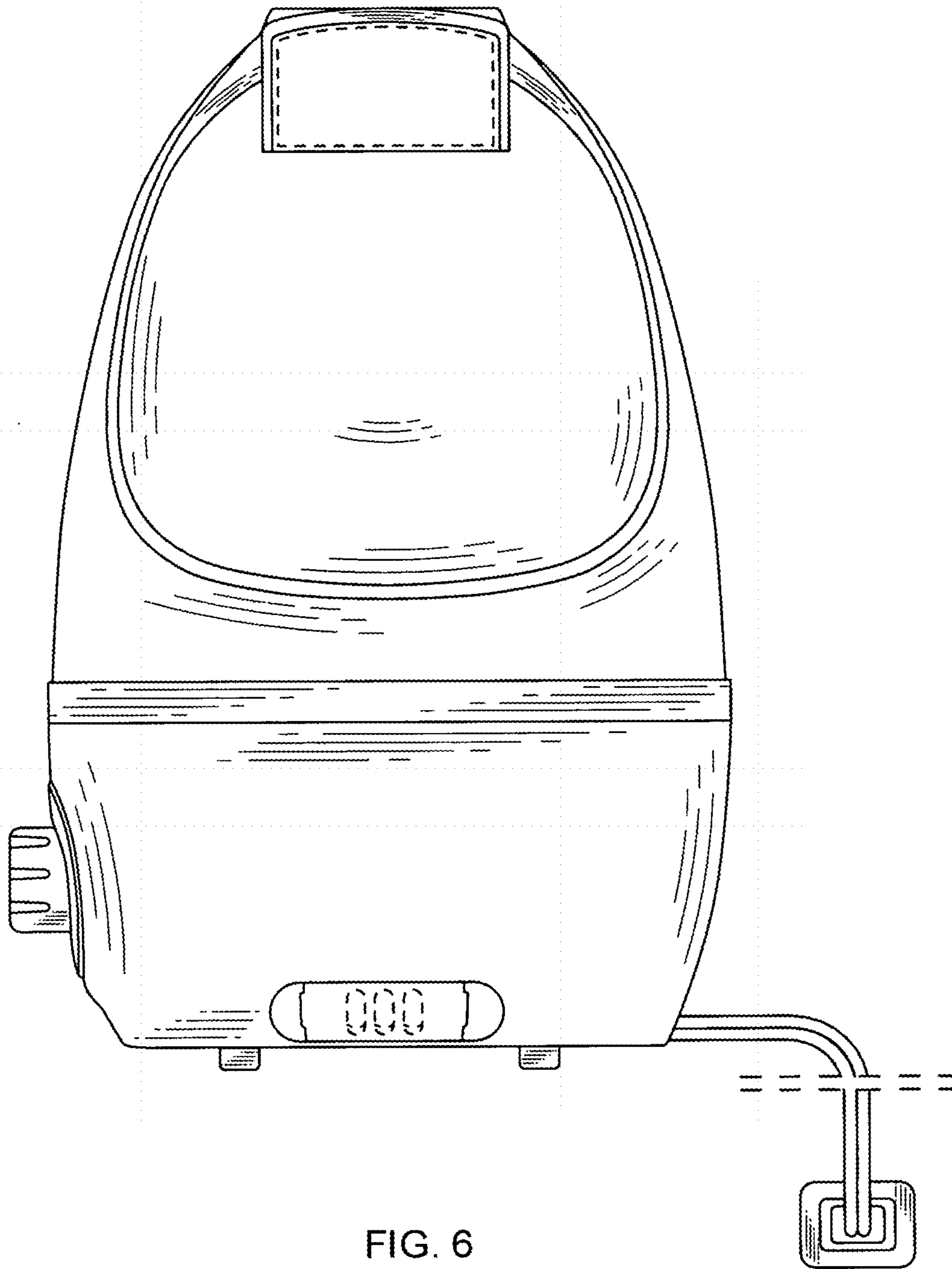


FIG. 6

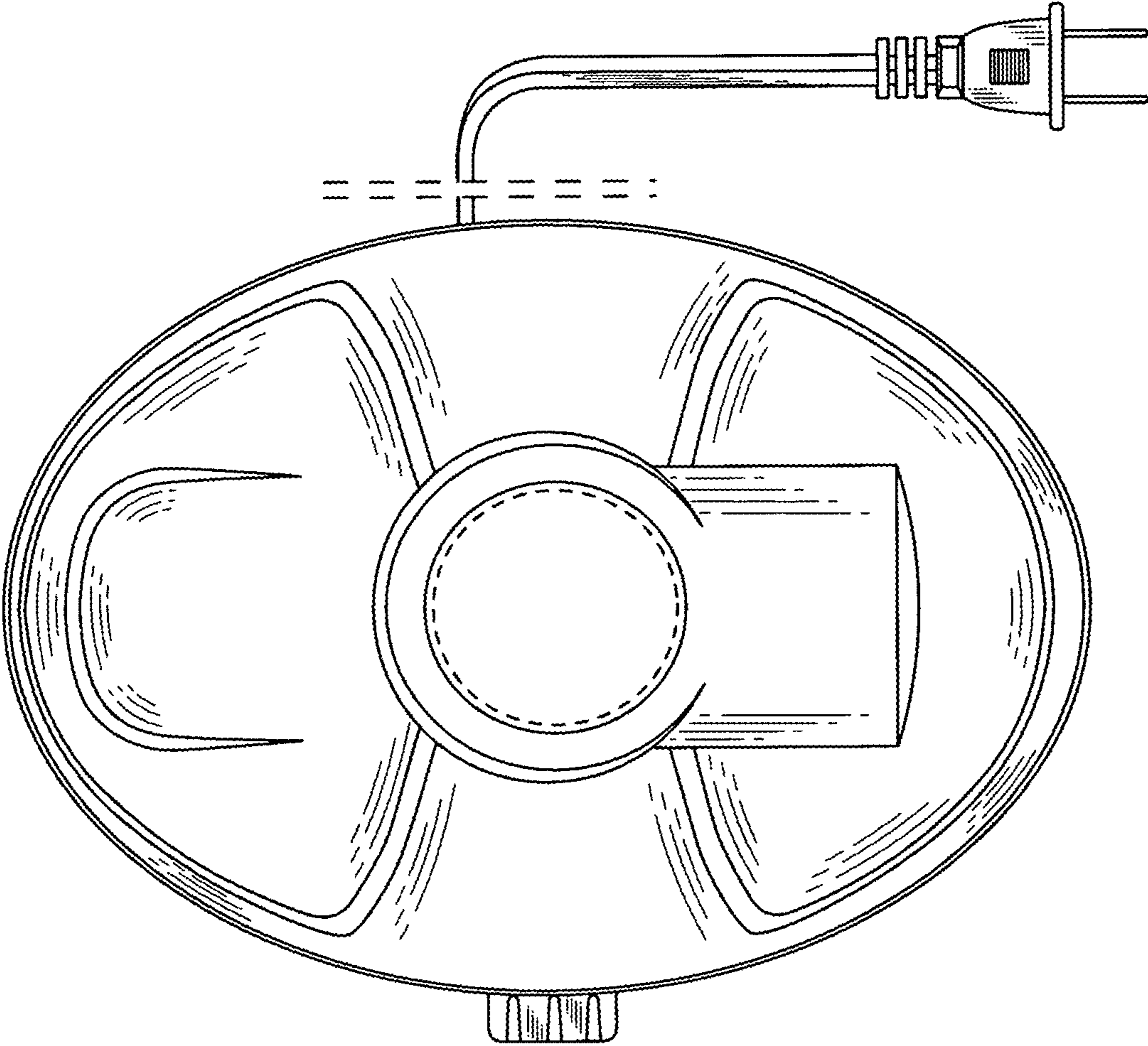


FIG. 7

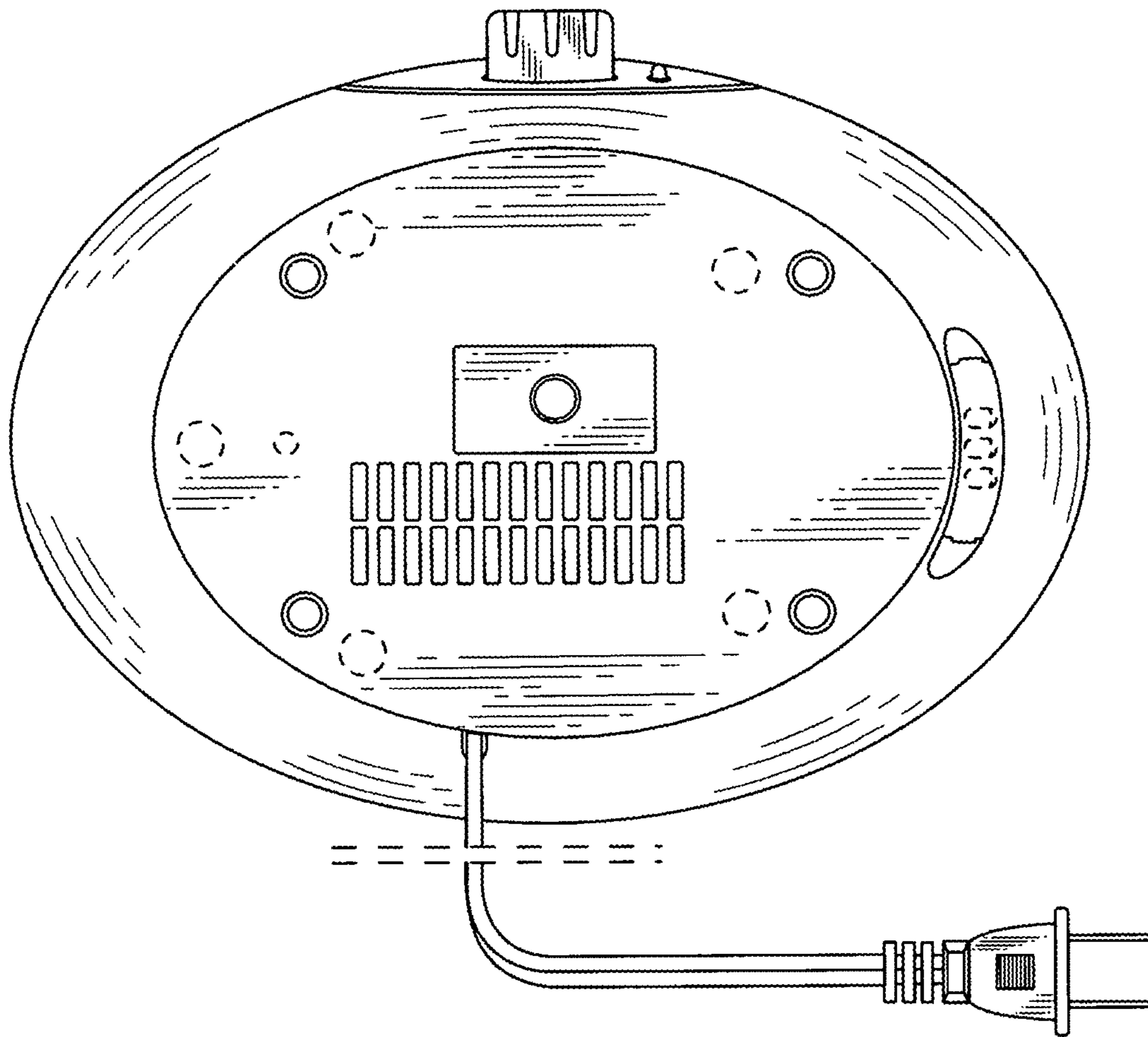


FIG. 8