



US00D925714S

(12) **United States Design Patent**
Arai et al.

(10) **Patent No.:** **US D925,714 S**
(45) **Date of Patent:** **** Jul. 20, 2021**

(54) **AIR CONDITIONER**

DESCRIPTION

(71) Applicant: **Mitsubishi Electric Corporation**,
Tokyo (JP)
(72) Inventors: **Satoshi Arai**, Tokyo (JP); **Takanori Ikegaya**, Tokyo (JP); **Yuki Motomura**, Tokyo (JP)
(73) Assignee: **Mitsubishi Electric Corporation**,
Tokyo (JP)
(**) Term: **15 Years**

(21) Appl. No.: **29/697,712**
(22) Filed: **Jul. 10, 2019**

(30) **Foreign Application Priority Data**

Mar. 15, 2019 (JP) 2019-005481
Mar. 15, 2019 (JP) 2019-005482
Mar. 15, 2019 (JP) 2019-005483

(51) **LOC (13) Cl.** **23-04**
(52) **U.S. Cl.**
USPC **D23/354**

(58) **Field of Classification Search**
USPC D23/333, 351-354, 388
(Continued)

(56) **References Cited**

U.S. PATENT DOCUMENTS

D165,244 S * 11/1951 Rendessy D23/388
D258,985 S * 4/1981 Peirce D23/393
(Continued)

Primary Examiner — Natasha Vujcic

(74) *Attorney, Agent, or Firm* — Studebaker & Brackett
PC

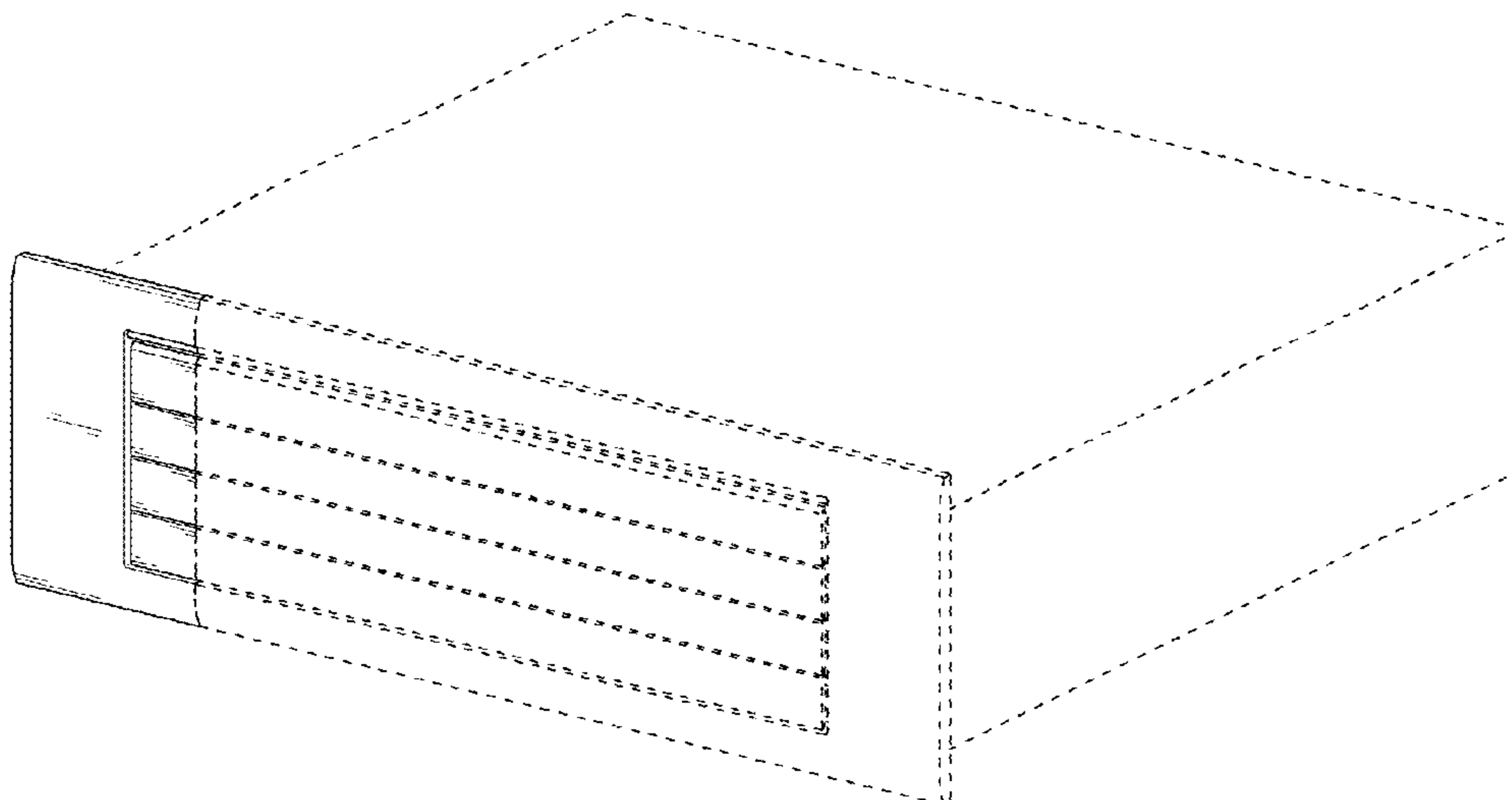
(57) **CLAIM**

The ornamental design for an air conditioner, as shown and described.

FIG. 1 is a front perspective view of the front, right, and top sides of an air conditioner showing a first embodiment of our new design;
FIG. 2 is a front view thereof;
FIG. 3 is a rear view thereof;
FIG. 4 is a left side view thereof;
FIG. 5 is a right side view thereof;
FIG. 6 is a top plan view thereof;
FIG. 7 is a bottom plan view thereof;
FIG. 8 is an enlarged end view showing cross-sectional end face only at a portion 8-8;
FIG. 9 is a front perspective view of the front, right, and top sides of an air conditioner showing a second embodiment of our new design;
FIG. 10 is a front view thereof;
FIG. 11 is a rear view thereof;
FIG. 12 is a left side view thereof;
FIG. 13 is a right side view thereof;
FIG. 14 is a top plan view thereof;
FIG. 15 is a bottom plan view thereof;
FIG. 16 is an enlarged end view showing cross-sectional end face only at a portion 16-16.
FIG. 17 is a front perspective view of the front, right, and top sides of an air conditioner showing a third embodiment of our new design;
FIG. 18 is a front view thereof;
FIG. 19 is a rear view thereof;
FIG. 20 is a left side view thereof;
FIG. 21 is a right side view thereof;
FIG. 22 is a top plan view thereof;
FIG. 23 is a bottom plan view thereof; and,
FIG. 24 is an enlarged end view showing cross-sectional end face only at a portion 24-24.

The broken lines shown represent unclaimed subject matter of the air conditioner and form no part of the claimed design. The dash-dot lines represent the boundary between the claimed design and unclaimed design and form no part of the claimed design.

1 Claim, 24 Drawing Sheets



(58) **Field of Classification Search**

CPC F24F 1/00; F24F 1/0007; F24F 1/02; F24F
1/08; F24F 1/42; F24F 1/56; F24F 1/60;
F24F 3/044; F24F 3/048; F24F 3/16;
G05D 23/1905; G05D 23/1932; G05D
23/1902; G05D 23/1931; G05B 19/0426;
G05B 19/409; G05B 15/02

See application file for complete search history.

(56) **References Cited**

U.S. PATENT DOCUMENTS

D259,736 S *	6/1981	Peirce	D23/393
D290,746 S *	7/1987	Whitley, II	D12/317
D300,459 S *	3/1989	Hoyle	D23/333
D351,903 S *	10/1994	Whitley, II	D12/317
D360,458 S *	7/1995	McColgin	D23/353
D461,235 S *	8/2002	Arlotta	D23/393
D696,165 S *	12/2013	Campbell	D12/163
D772,387 S *	11/2016	Choi	D23/354
D777,896 S *	1/2017	Rizzi	D23/354
D783,136 S *	4/2017	Park	D23/351
D784,512 S *	4/2017	Jonas	D23/388
D787,656 S *	5/2017	Yoo	D23/351
D793,542 S *	8/2017	Zhou	D23/354
D807,994 S *	1/2018	Deusing	D23/351
D847,962 S *	5/2019	Shin	D23/351

* cited by examiner

Fig.1

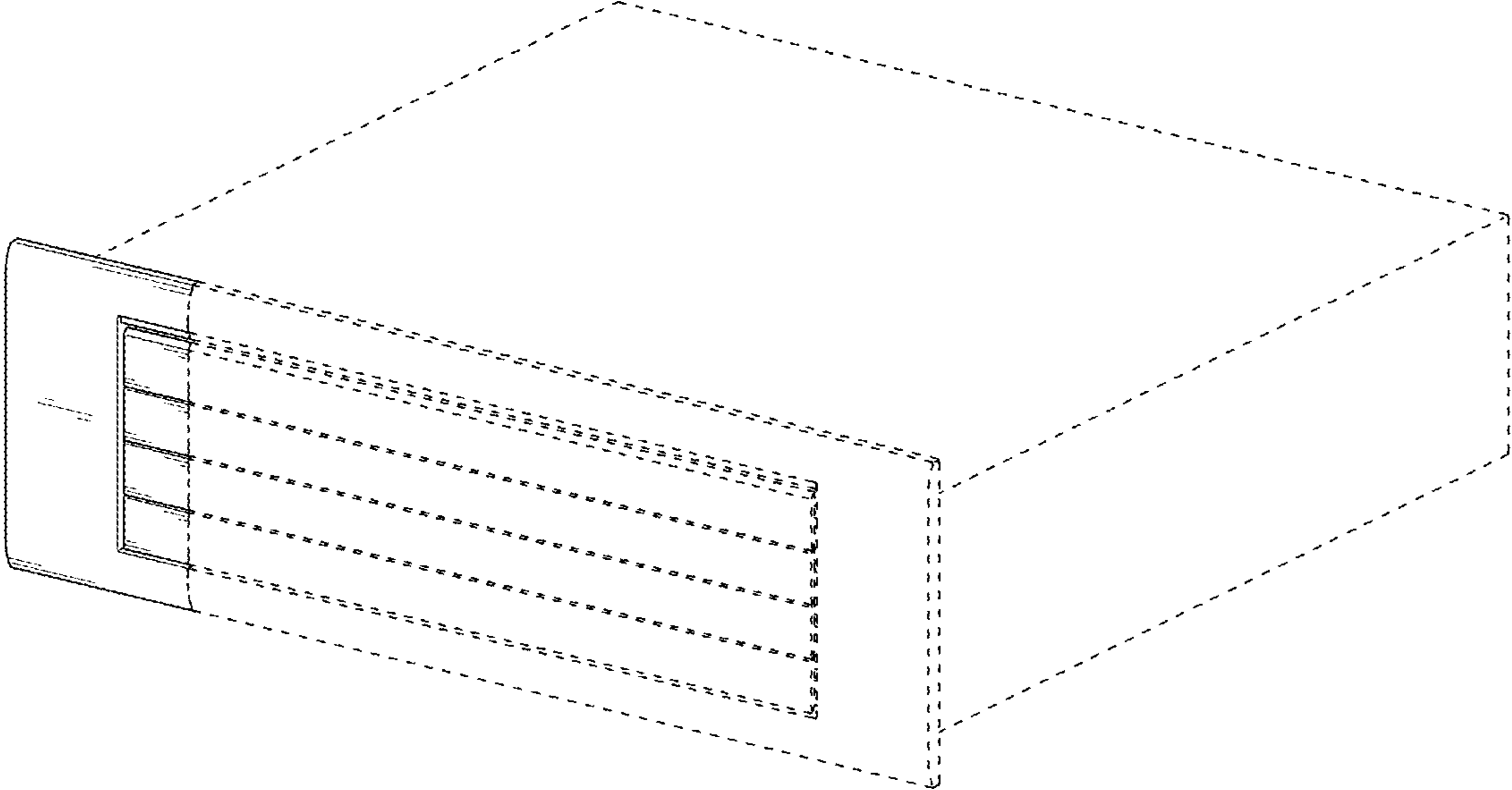


Fig.2

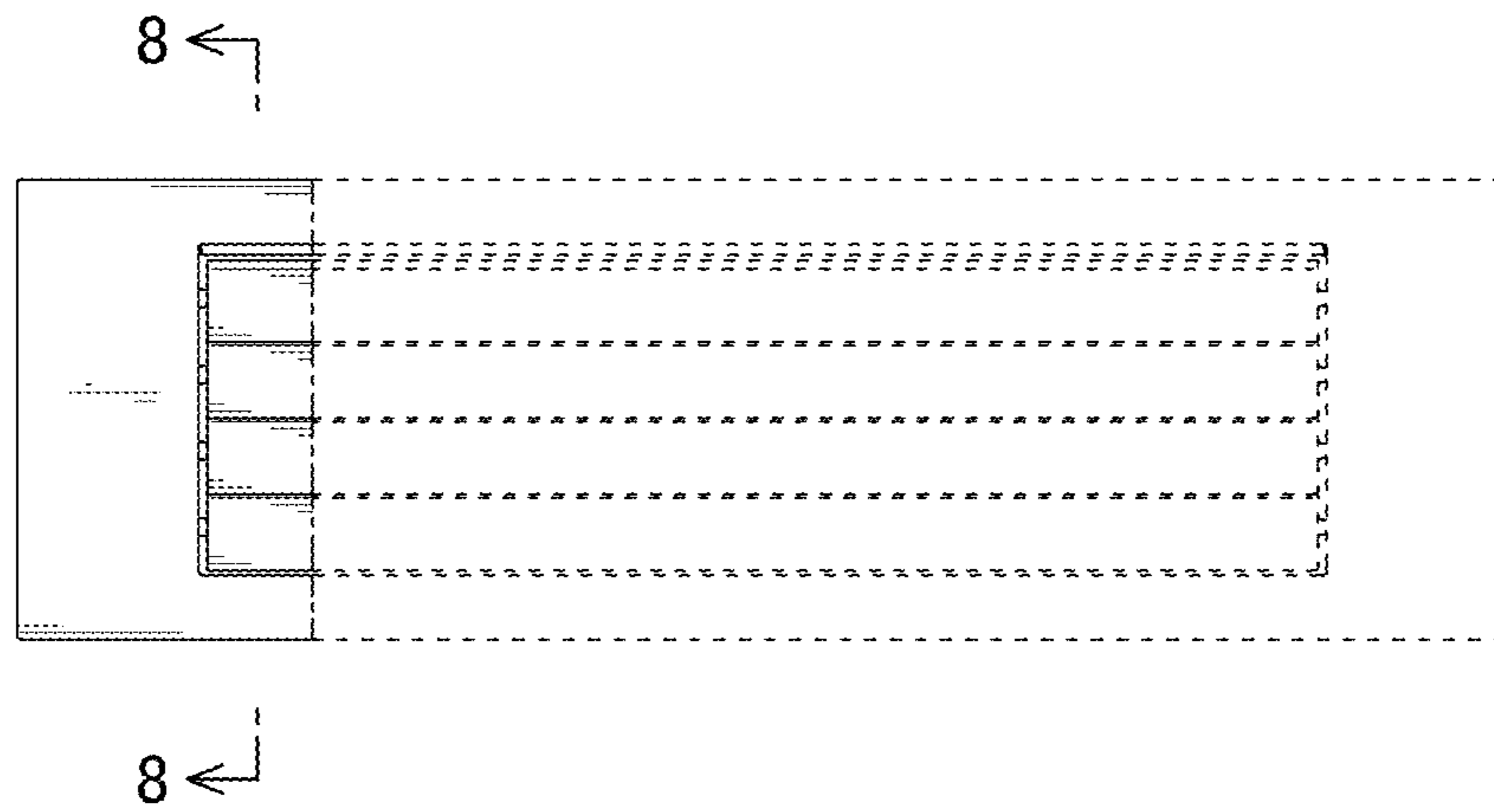


Fig.3

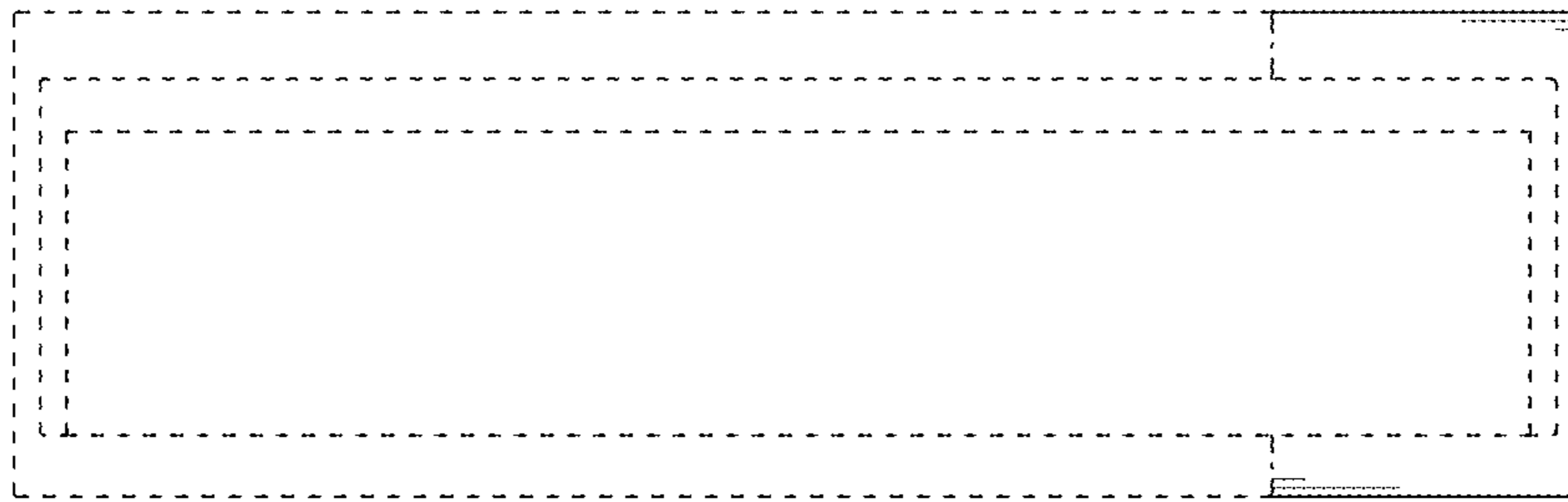


Fig.4

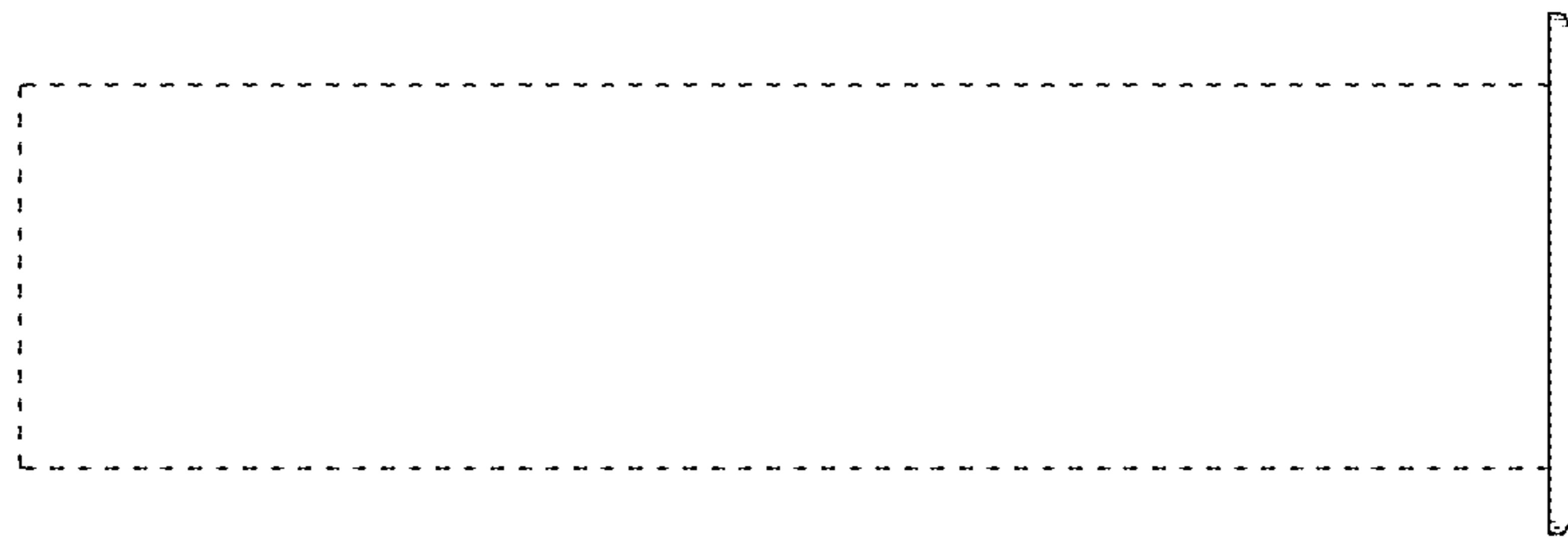


Fig.5



Fig.6



Fig.7



Fig.8

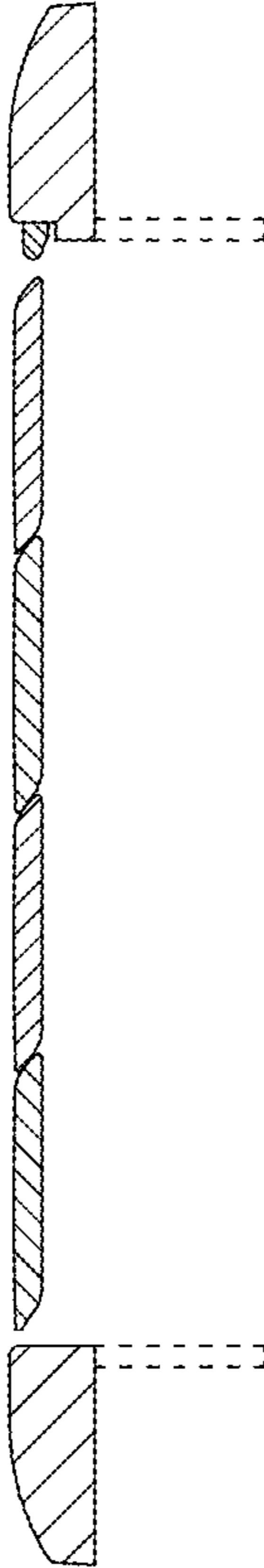


Fig.9

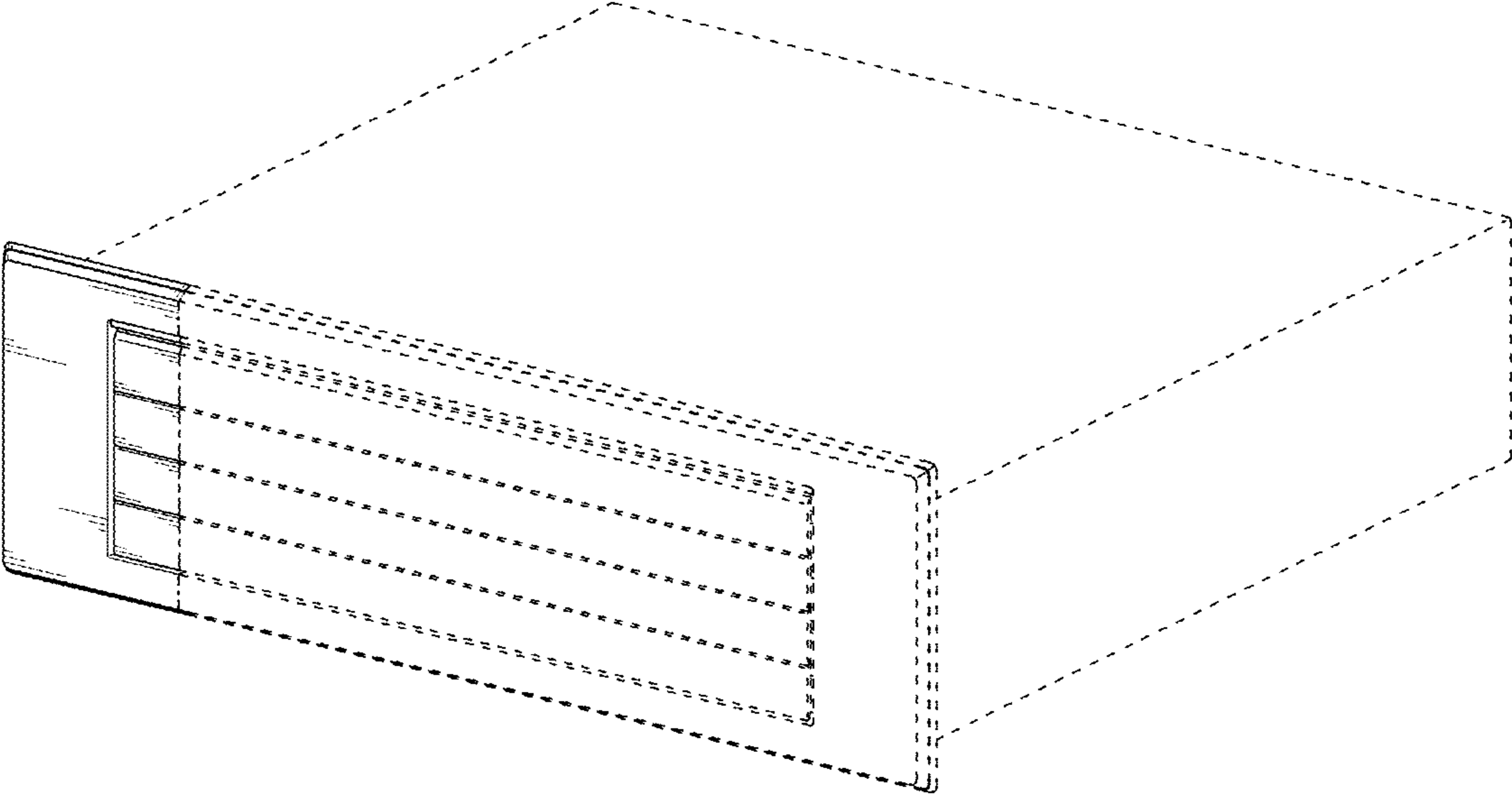


Fig.10

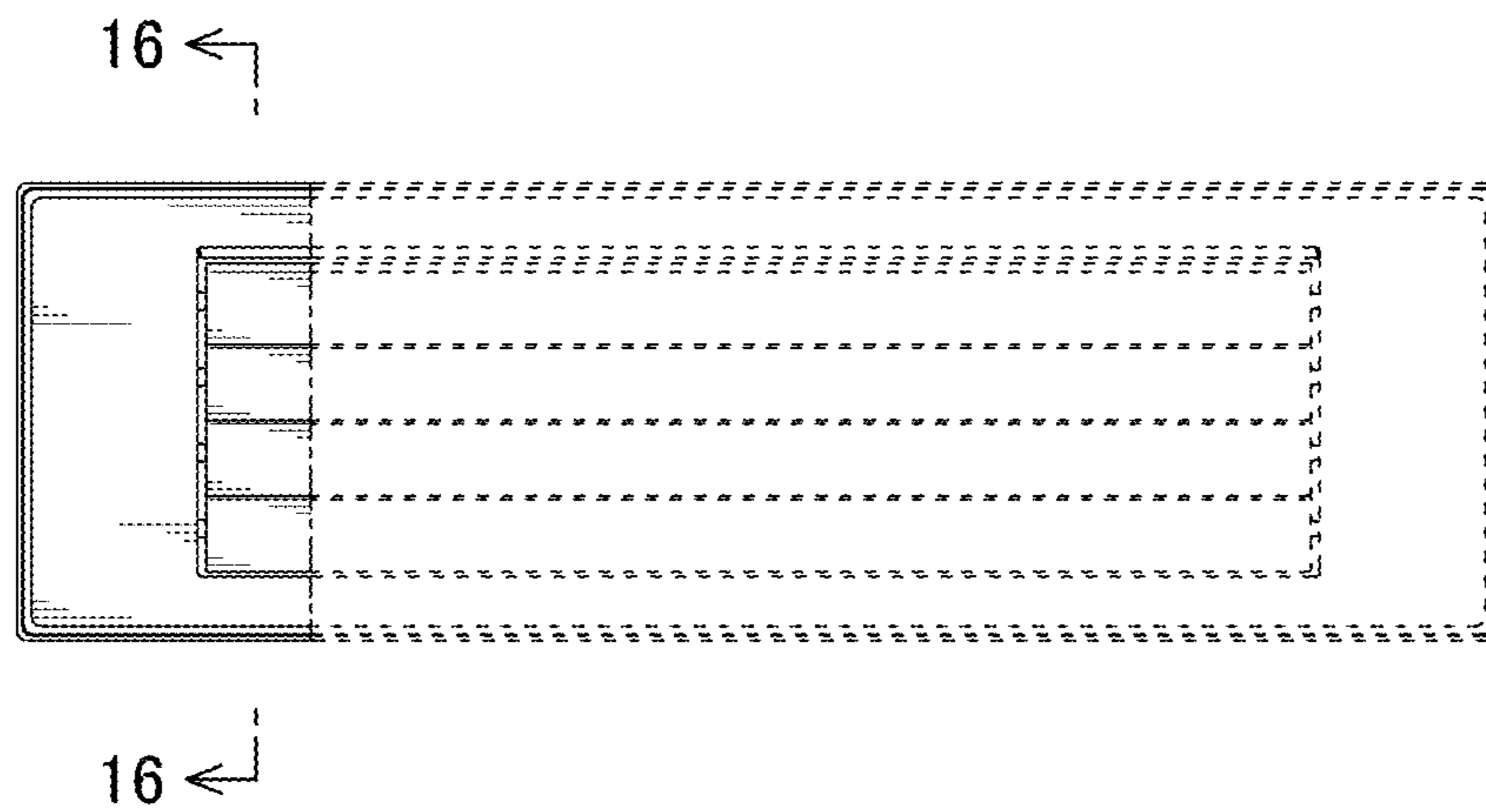


Fig.11

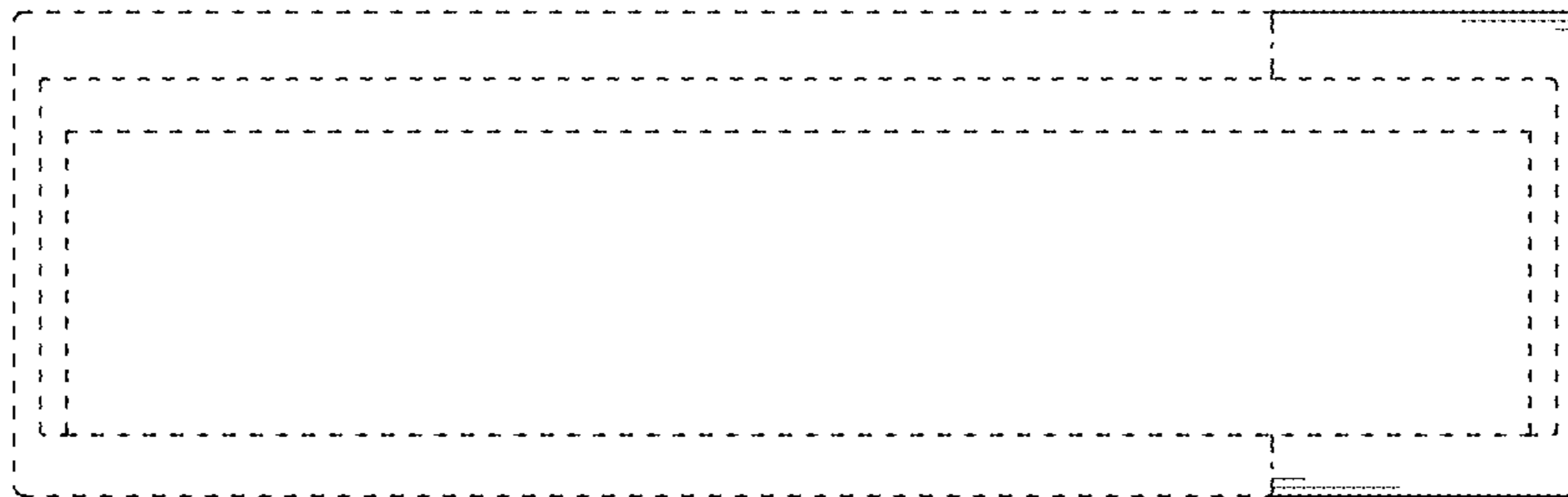


Fig.12

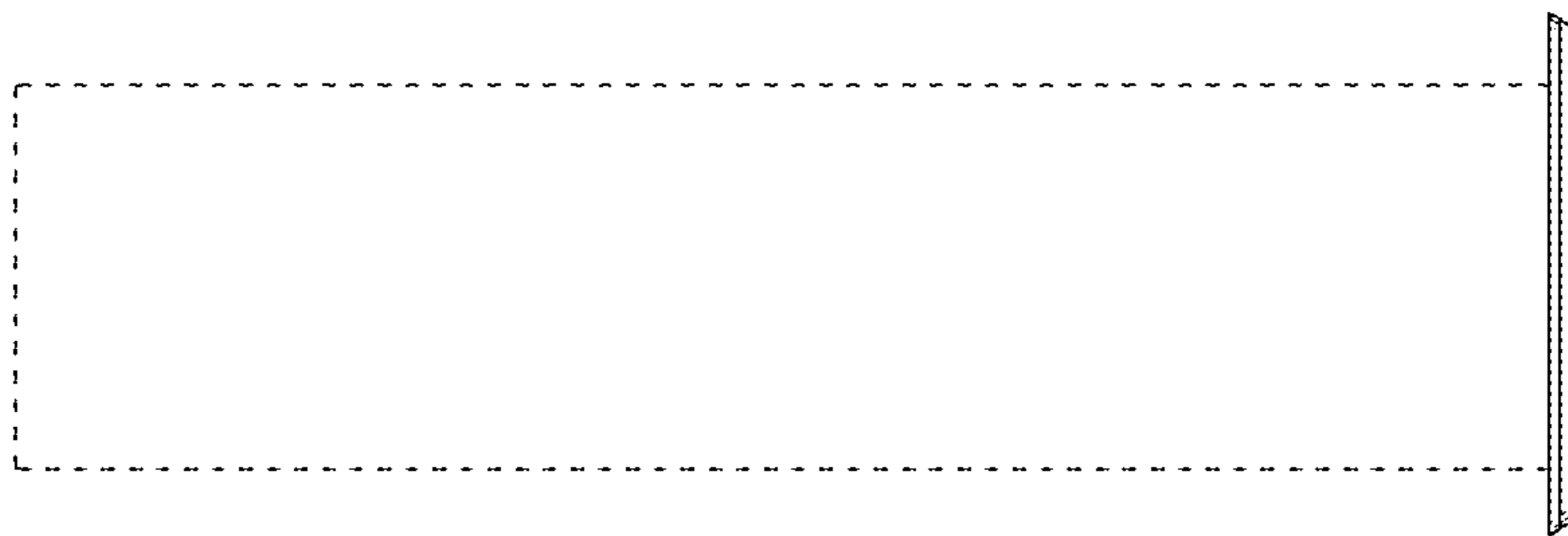


Fig.13



Fig.14



Fig.15



Fig.16

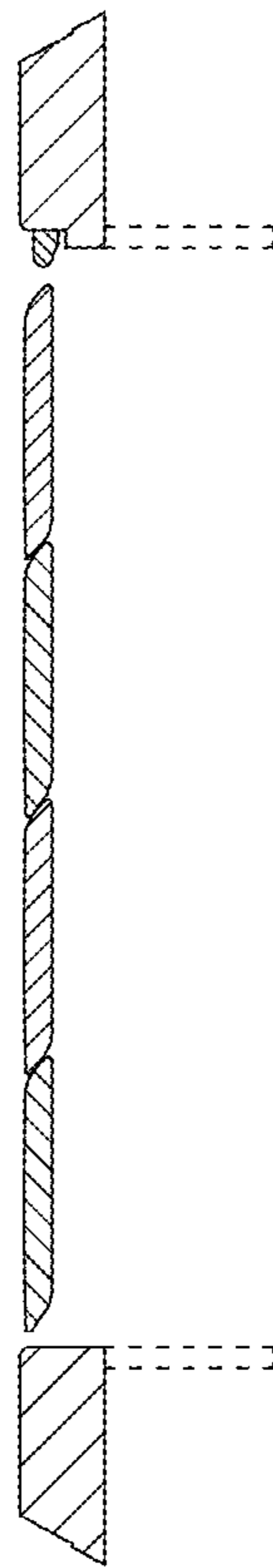


Fig.17

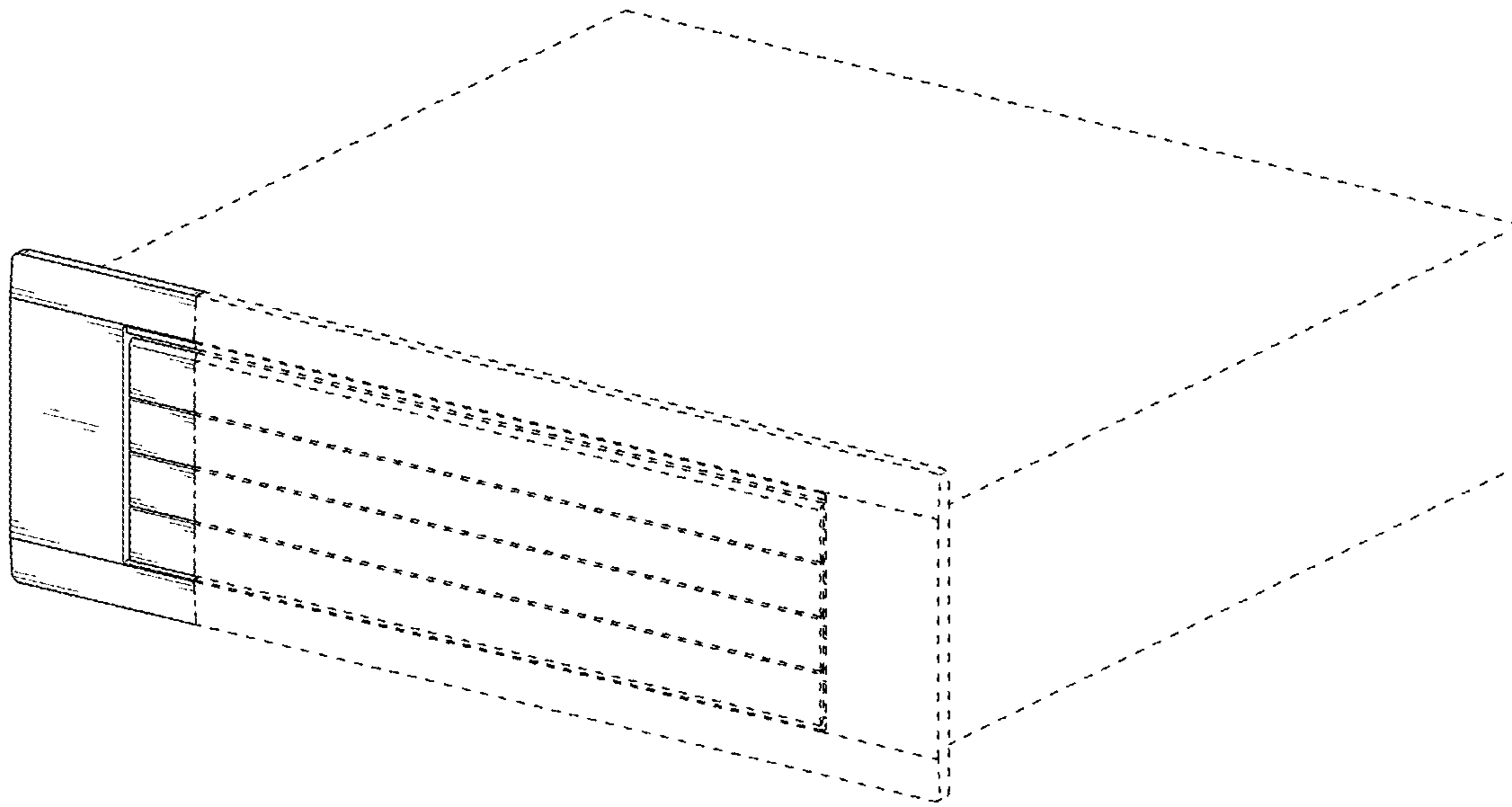


Fig.18

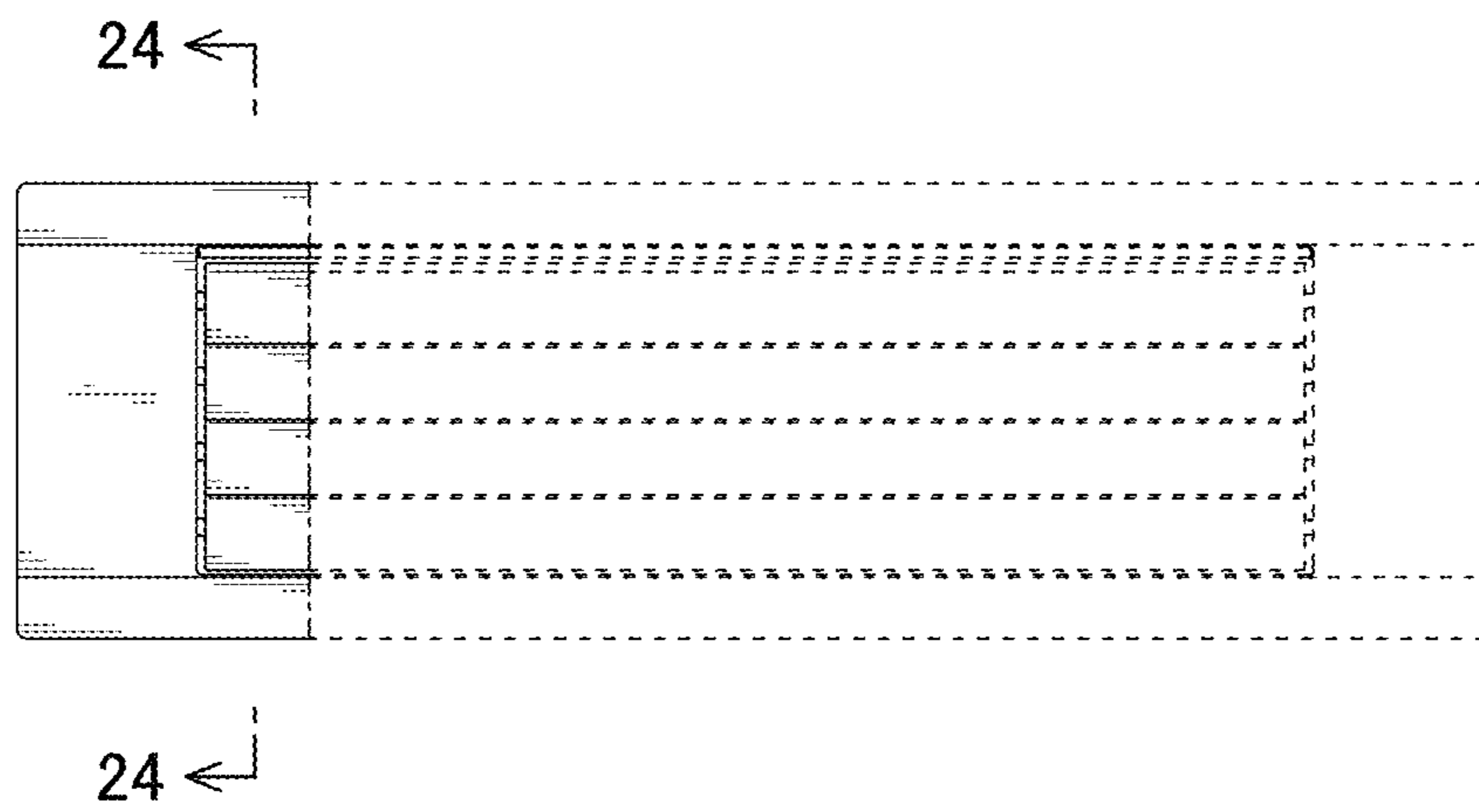


Fig.19

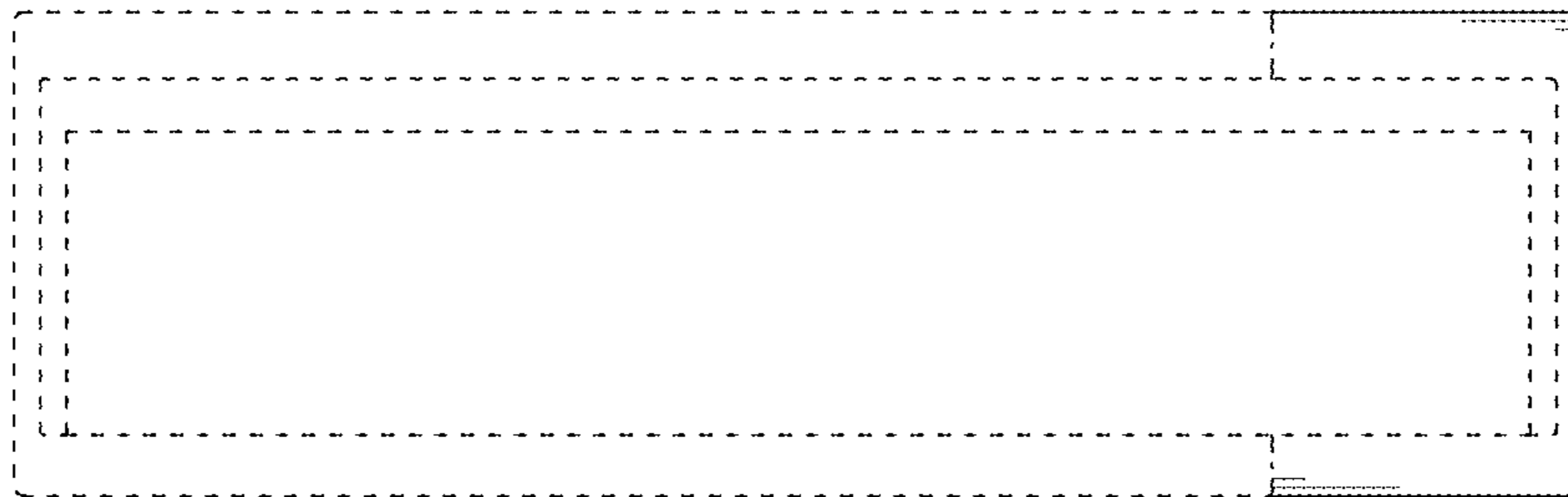


Fig.20

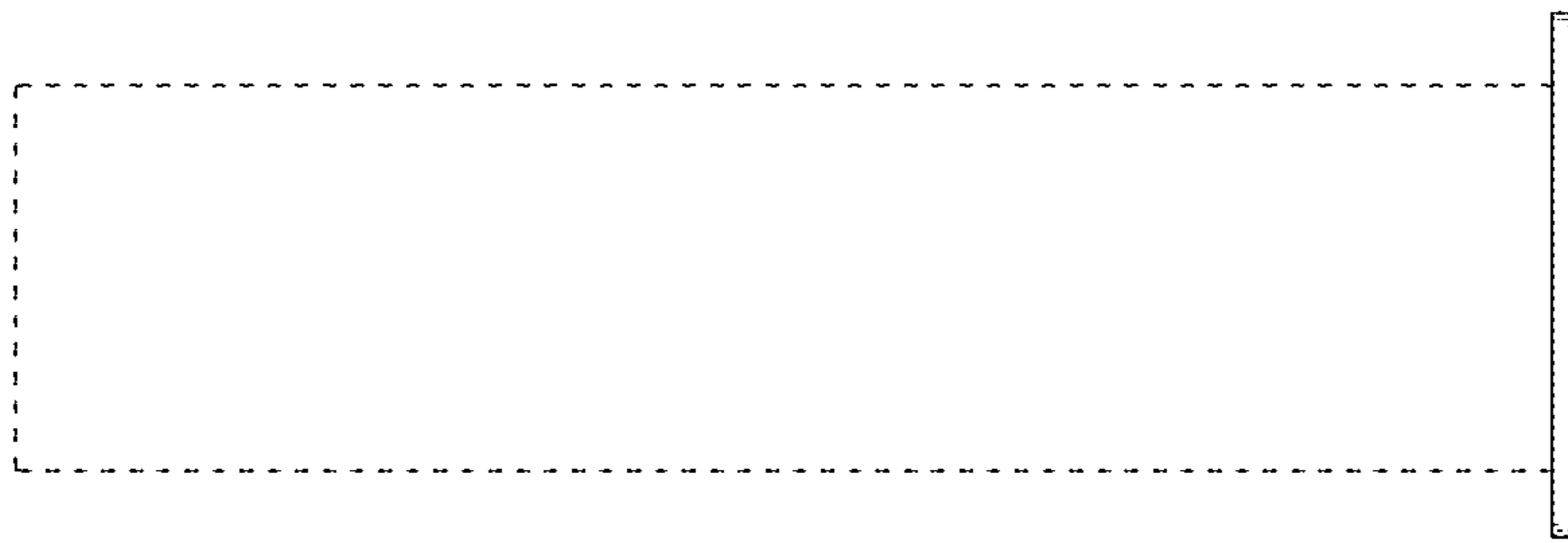


Fig.21



Fig.22



Fig.23



Fig.24

