



US00D925711S

(12) **United States Design Patent**
Deng et al.

(10) **Patent No.:** **US D925,711 S**
(45) **Date of Patent:** **** Jul. 20, 2021**

(54) **COOP HEATER**

(71) Applicant: **Guangzhou Rantion Technology Co., Ltd**, Guangzhou (CN)

(72) Inventors: **Kevin Deng**, Guangzhou (CN); **Rock Li**, Guangzhou (CN); **Ivan Chen**, Guangzhou (CN); **Edward Peng**, Guangzhou (CN); **Fanny Xu**, Guangzhou (CN)

(**) Term: **15 Years**

(21) Appl. No.: **29/735,789**

(22) Filed: **May 25, 2020**

(51) **LOC (13) Cl.** **23-03**

(52) **U.S. Cl.**
USPC **D23/334**

(58) **Field of Classification Search**
USPC D23/314, 332, 333, 334, 335, 336, 337, D23/338, 339, 340
CPC F24H 3/0417; F24H 3/0411; F24H 9/02; F24B 1/18; F24B 1/182; F24B 1/1808; F24B 1/181
See application file for complete search history.

(56) **References Cited**

U.S. PATENT DOCUMENTS

D287,751 S * 1/1987 Hamalainen D23/314
D532,881 S * 11/2006 Ching D23/335
D539,883 S * 4/2007 Lee D23/351

D546,429 S * 7/2007 Ching D23/342
D607,093 S * 12/2009 Yanez D23/317
D621,016 S * 8/2010 Garcia D23/330
D760,367 S * 6/2016 Rump D23/322
D762,290 S * 7/2016 Jepson D23/342
D802,107 S * 11/2017 Schumann D23/330
D840,010 S * 2/2019 Schumann D23/342
D842,975 S * 3/2019 Schumann D23/342
D874,624 S * 2/2020 Liu D23/335
D885,541 S * 5/2020 Schumann D23/342
D916,264 S * 4/2021 Jun D23/364
2010/0303678 A1 * 12/2010 Lockhart F24H 3/0417
422/186.3
2016/0084524 A1 * 3/2016 Chu F24H 9/0063
392/370

* cited by examiner

Primary Examiner — Ania Aman

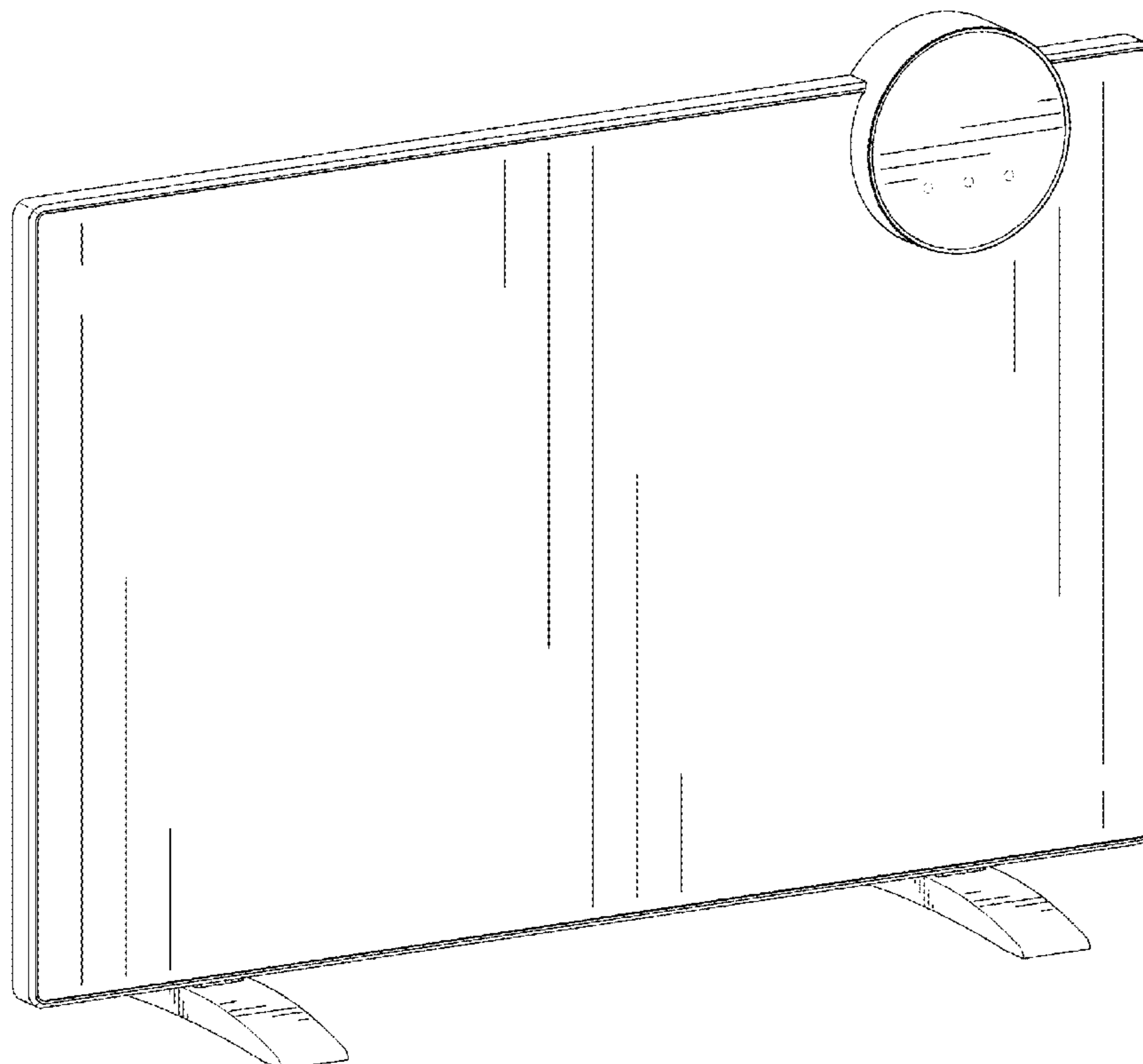
(57) **CLAIM**

The ornamental design for a coop heater, as shown and described.

DESCRIPTION

FIG. 1 is a front perspective view of a coop heater, showing our new design;
FIG. 2 is a front elevational view thereof;
FIG. 3 is a rear elevational view thereof;
FIG. 4 is a left side elevational view thereof;
FIG. 5 is a right side elevational view thereof;
FIG. 6 is a top plan view thereof; and,
FIG. 7 is a bottom plan view thereof.
The broken lines in the figures illustrate portions of the article that form no part of the claimed design.

1 Claim, 7 Drawing Sheets



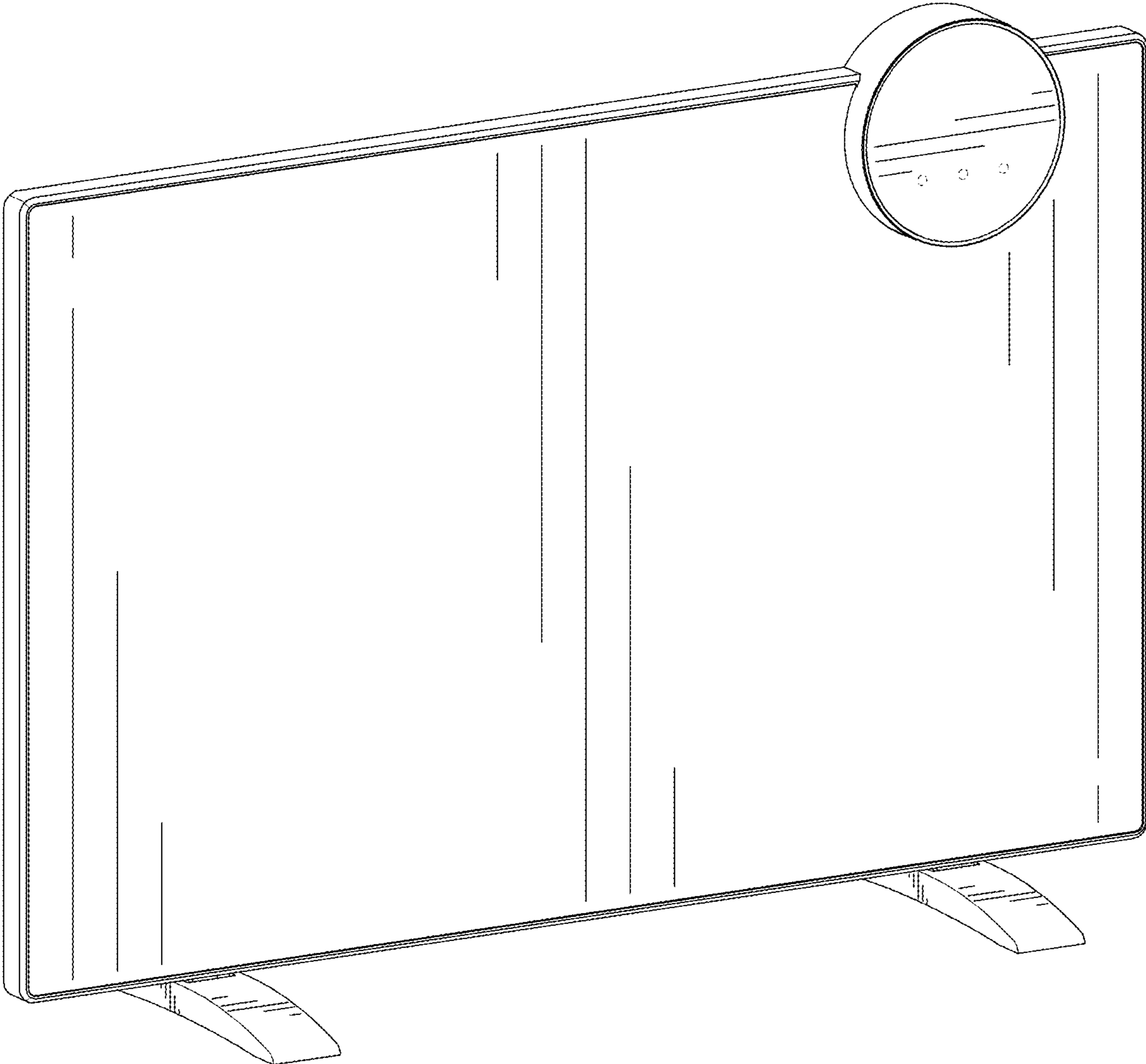


FIG. 1

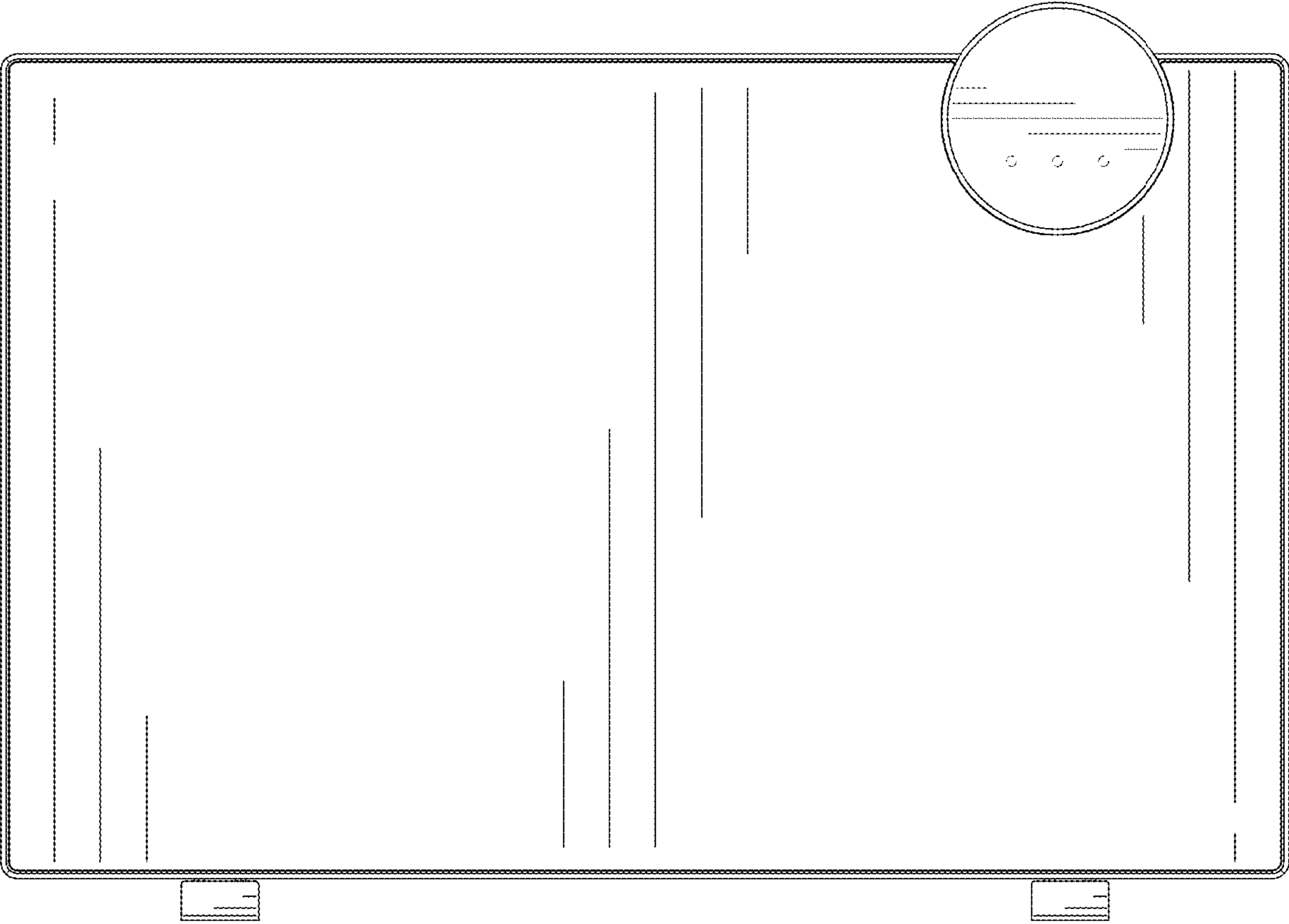


FIG. 2

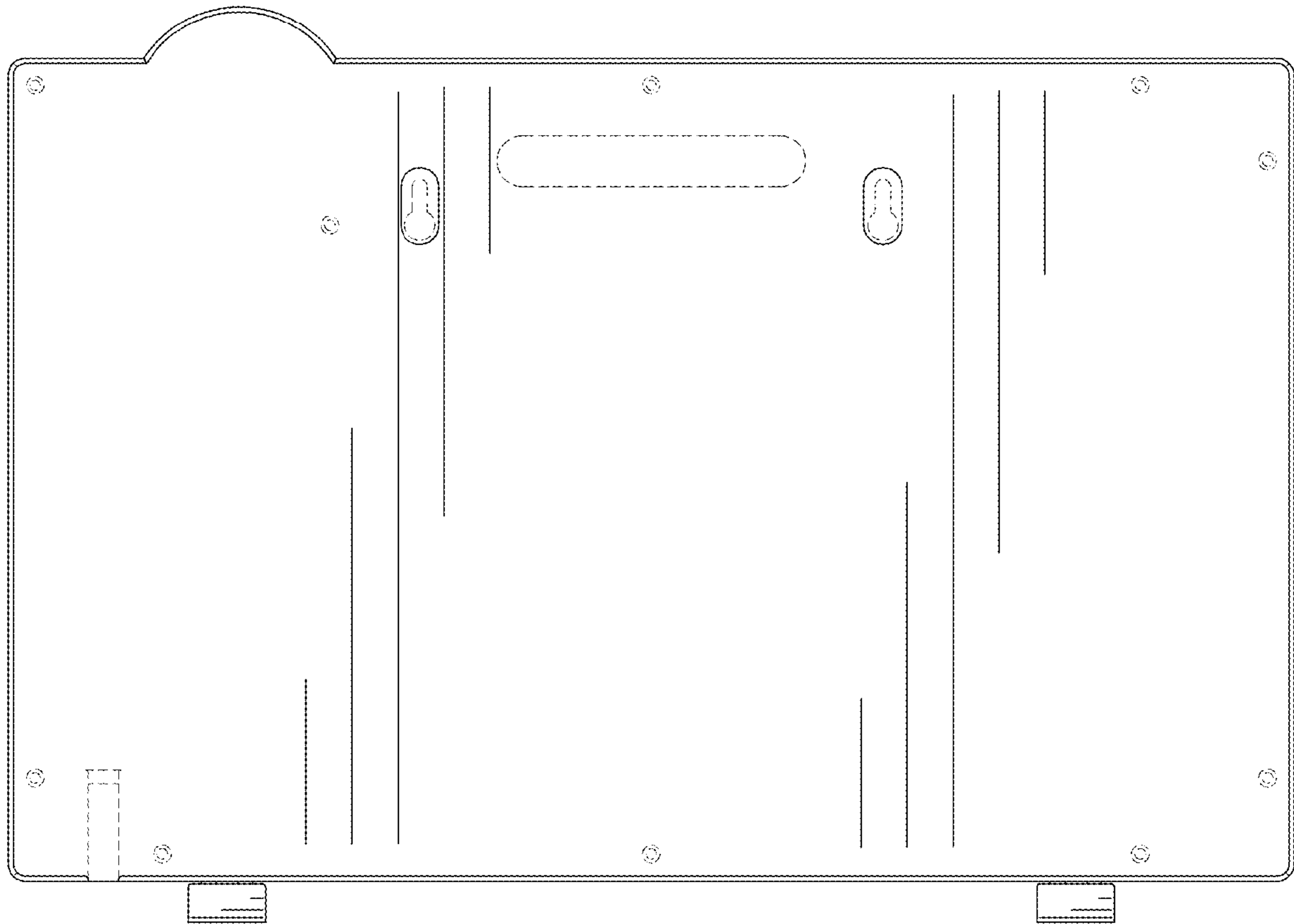


FIG. 3

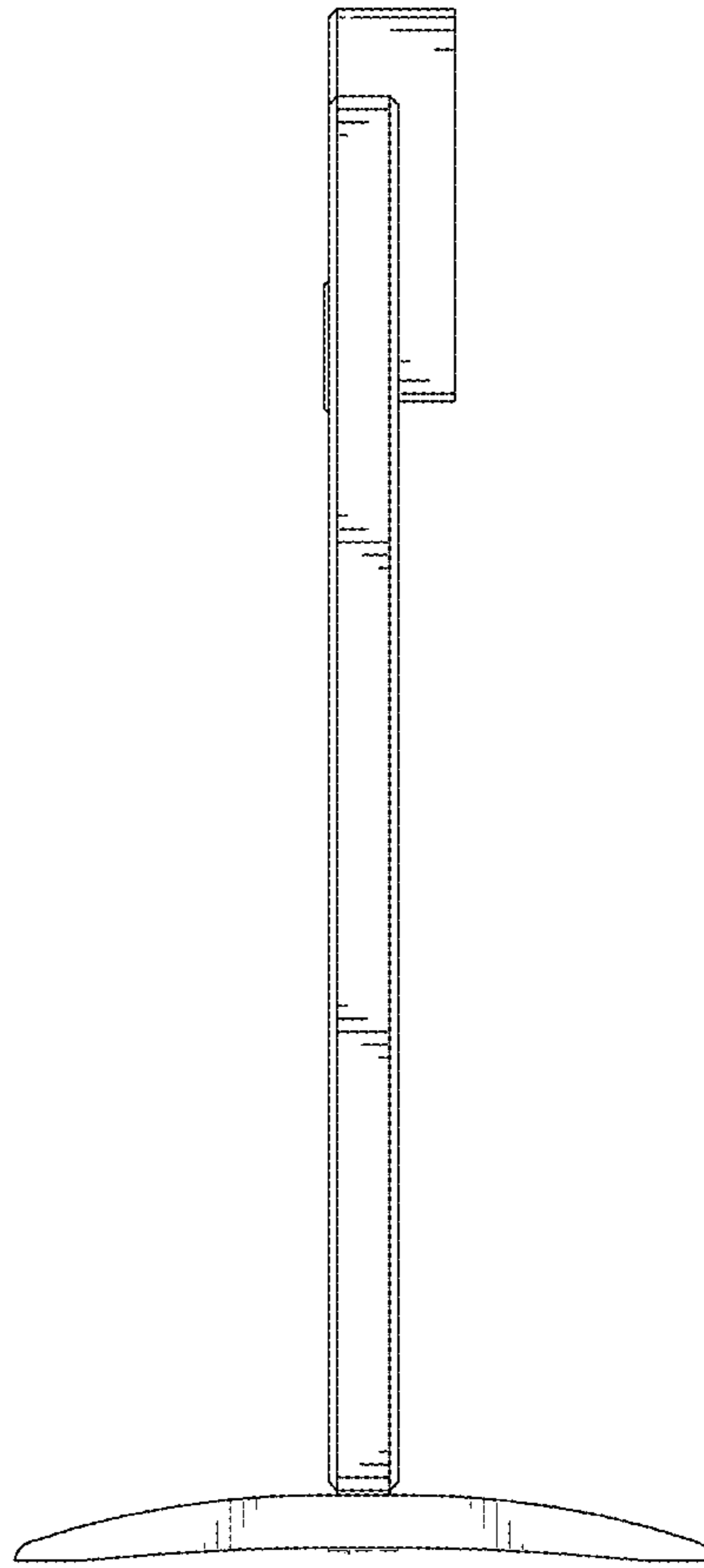


FIG. 4

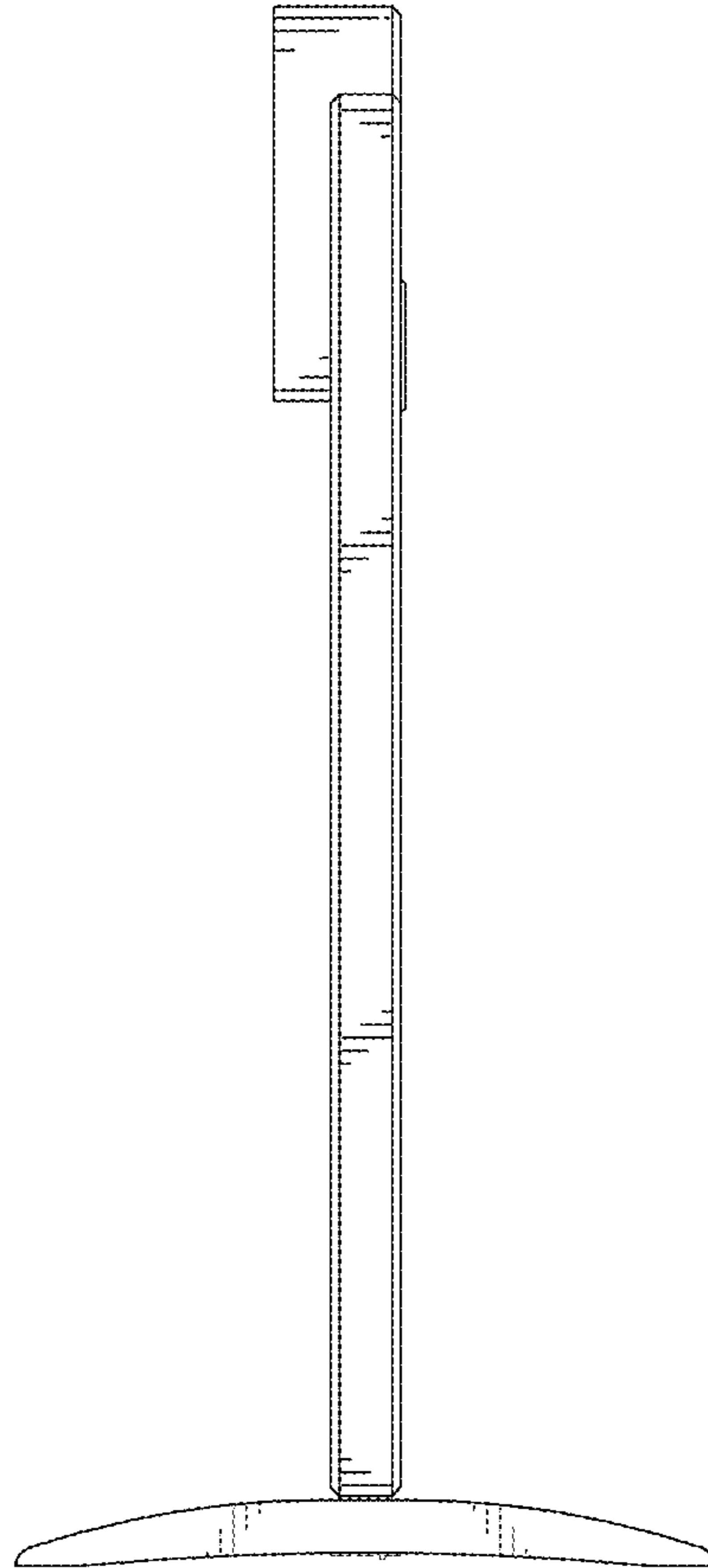


FIG. 5

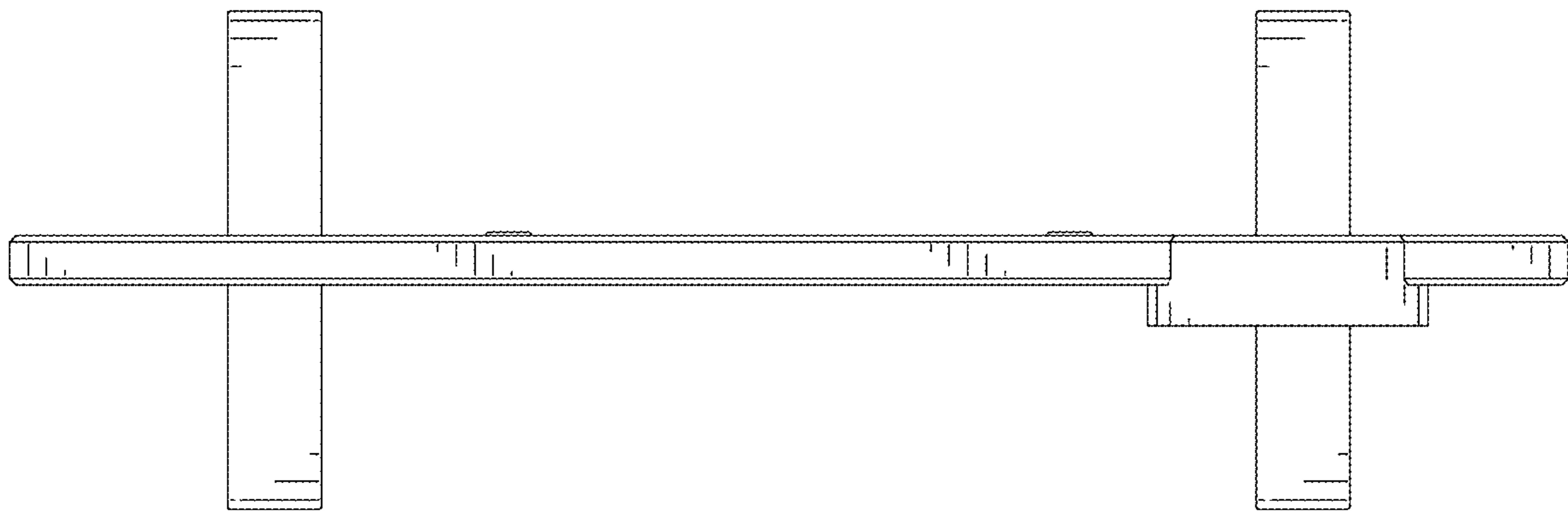


FIG. 6

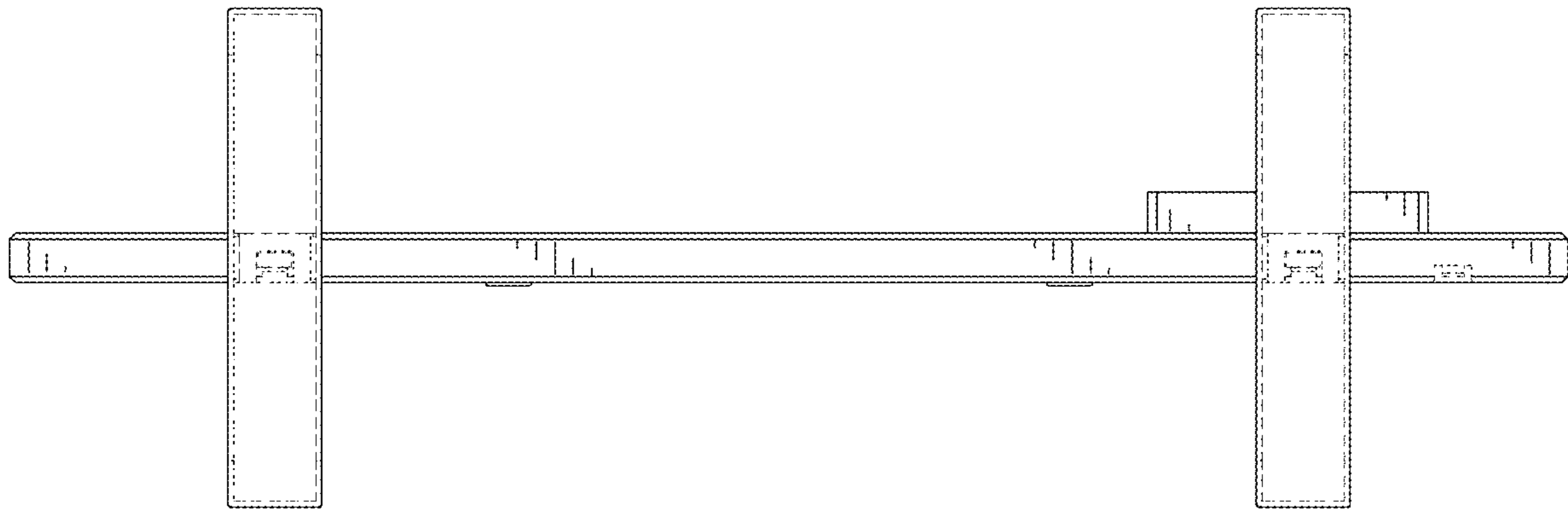


FIG. 7