



US00D925710S

(12) **United States Design Patent**
Seum et al.

(10) **Patent No.:** **US D925,710 S**

(45) **Date of Patent:** **** Jul. 20, 2021**

(54) **TOILET**

(71) Applicant: **Grohe AG**, Hemer (DE)

(72) Inventors: **Michael Seum**, Duesseldorf (DE);
Mirko Goetzen, Duesseldorf (DE)

(73) Assignee: **Grohe AG**, Hemer (DE)

(**) Term: **15 Years**

(21) Appl. No.: **29/723,532**

(22) Filed: **Feb. 7, 2020**

(30) **Foreign Application Priority Data**

Aug. 7, 2019 (EM) 006686838

(51) **LOC (13) Cl.** **23-02**

(52) **U.S. Cl.**
USPC **D23/300**

(58) **Field of Classification Search**
USPC D23/295, 300–301, 309, 313
See application file for complete search history.

(56) **References Cited**

U.S. PATENT DOCUMENTS

D600,333 S * 9/2009 Liu D23/295
D708,720 S * 7/2014 Jochim D23/301

D766,405 S * 9/2016 Flowers D23/300
2019/0153712 A1* 5/2019 Ichihara E03D 11/02
2021/0095451 A1* 4/2021 Nakamura E03D 11/02

* cited by examiner

Primary Examiner — Robert A Delehanty

(74) *Attorney, Agent, or Firm* — Muncy, Geissler, Olds & Lowe, P.C.

(57) **CLAIM**

The ornamental design for a toilet, as shown and described.

DESCRIPTION

FIG. 1 is a front perspective view of a toilet according to the present invention.

FIG. 2 is a front view of the toilet of FIG. 1.

FIG. 3 is a rear view of the toilet of FIG. 1.

FIG. 4 is a left side view of the toilet of FIG. 1.

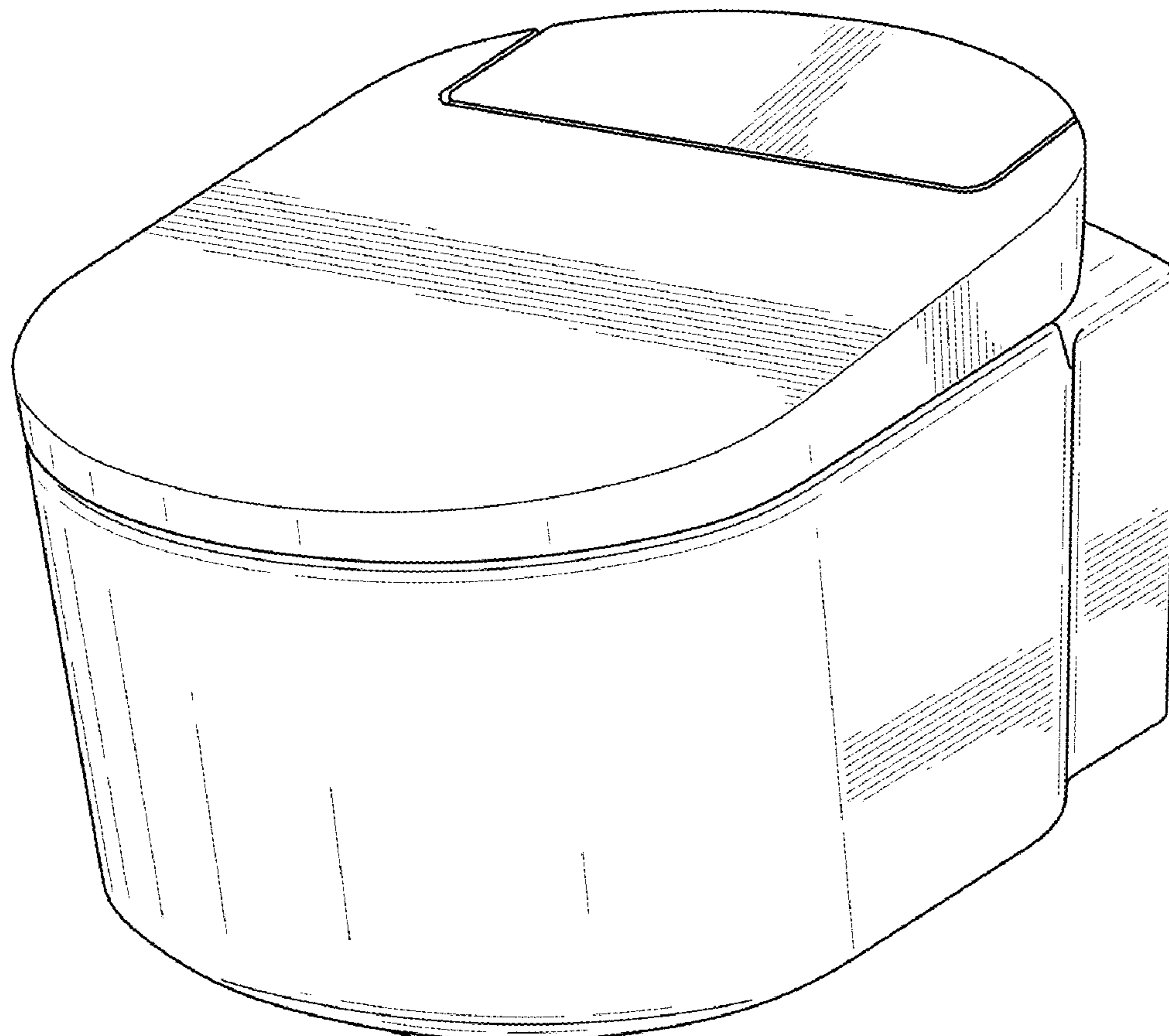
FIG. 5 is a right side view of the toilet of FIG. 1.

FIG. 6 is a top view of the toilet of FIG. 1; and,

FIG. 7 is a bottom view of the toilet of FIG. 1.

The dashed lines illustrate environment that does not form a part of the present invention, and no claim is made to the material illustrated with dashed lines.

1 Claim, 7 Drawing Sheets



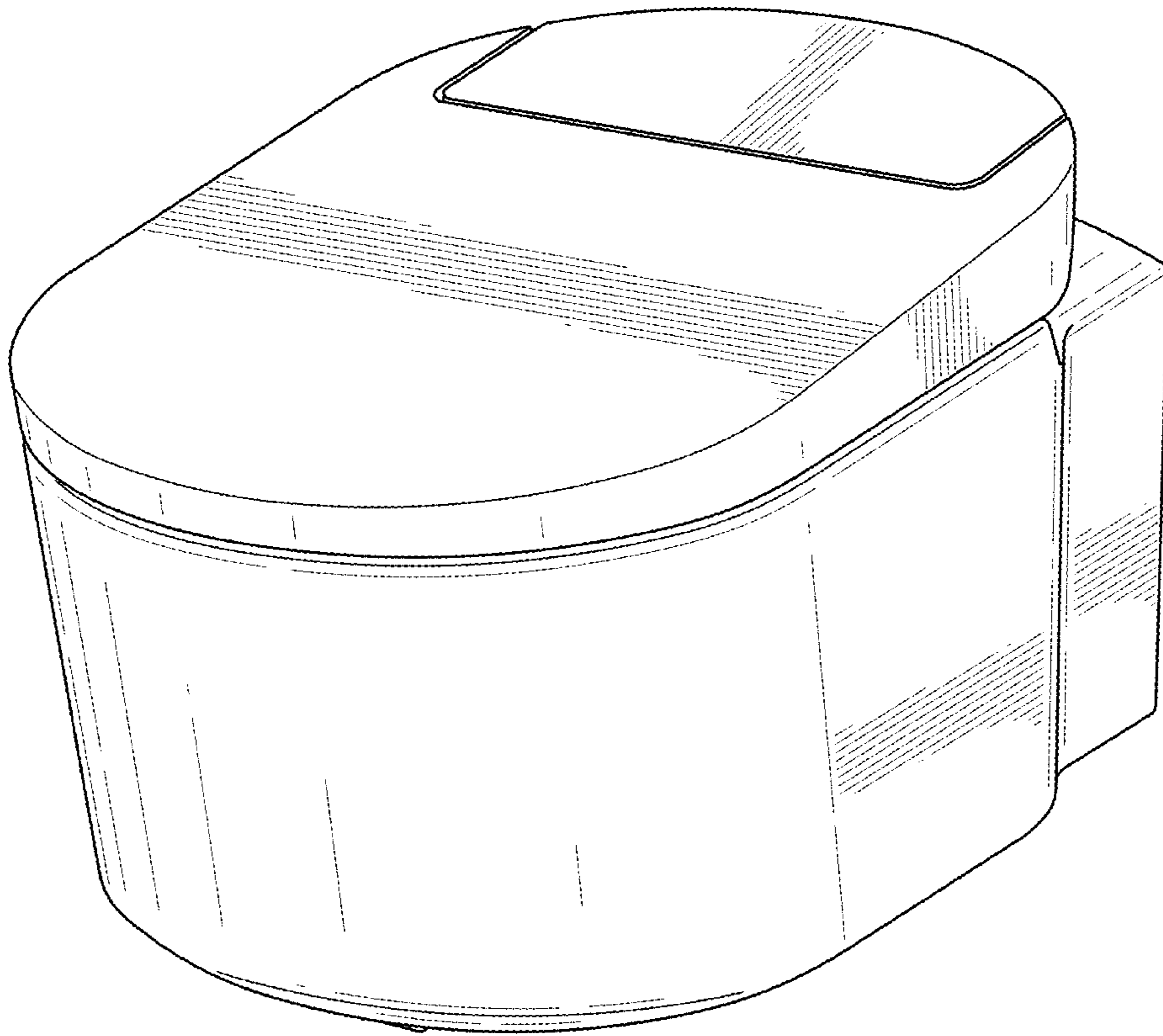


FIG. 1

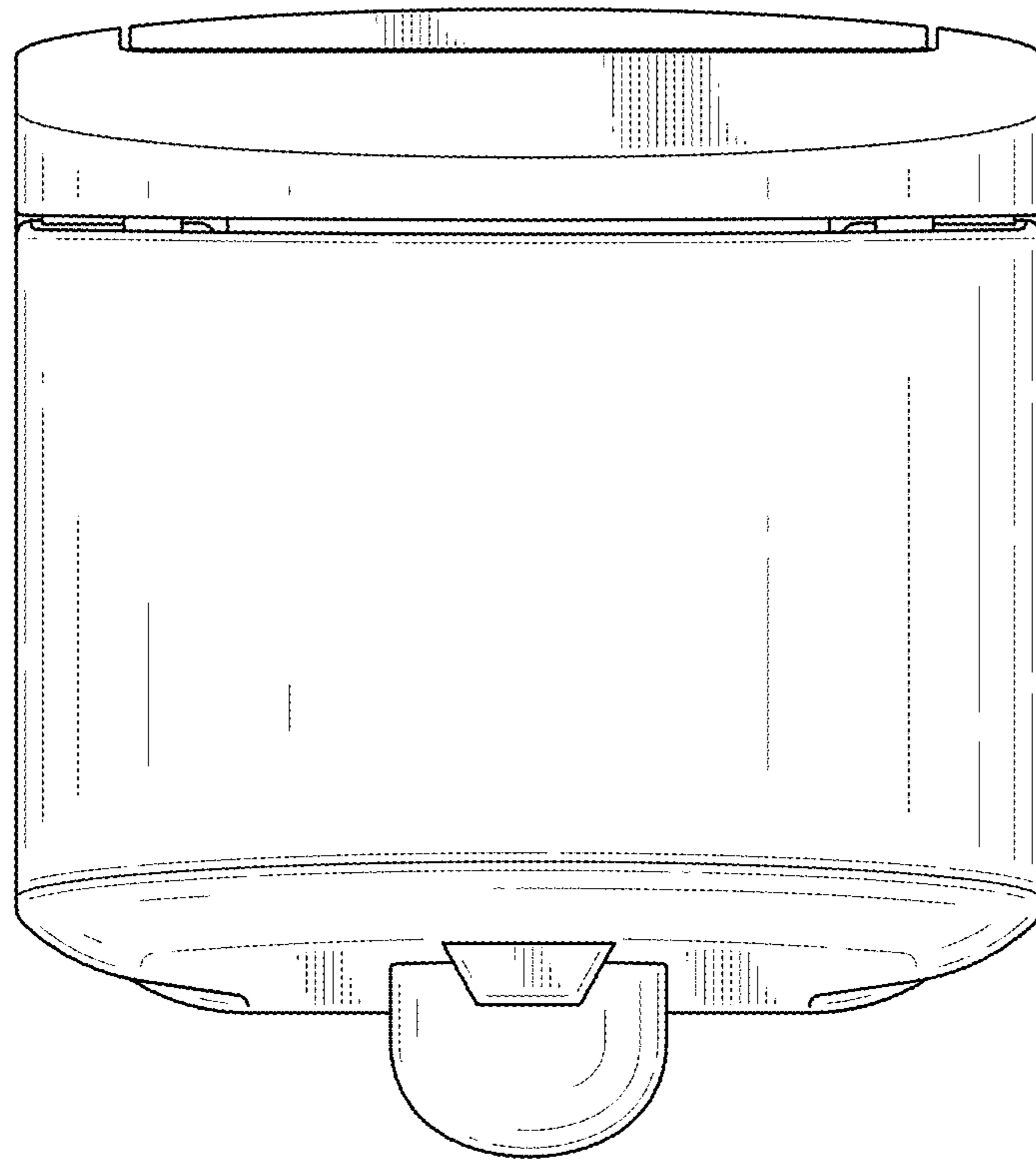


FIG. 2

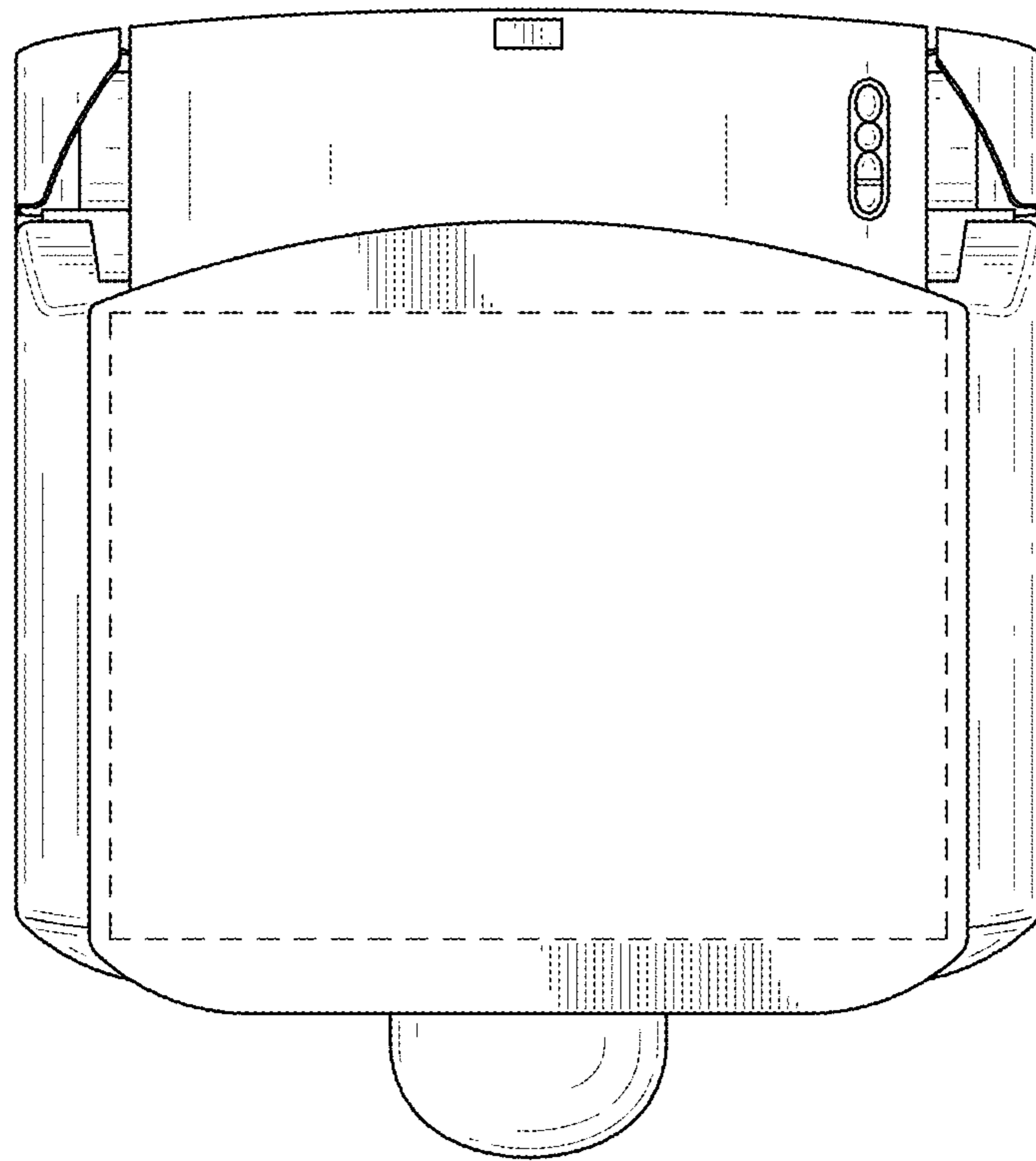


FIG.3

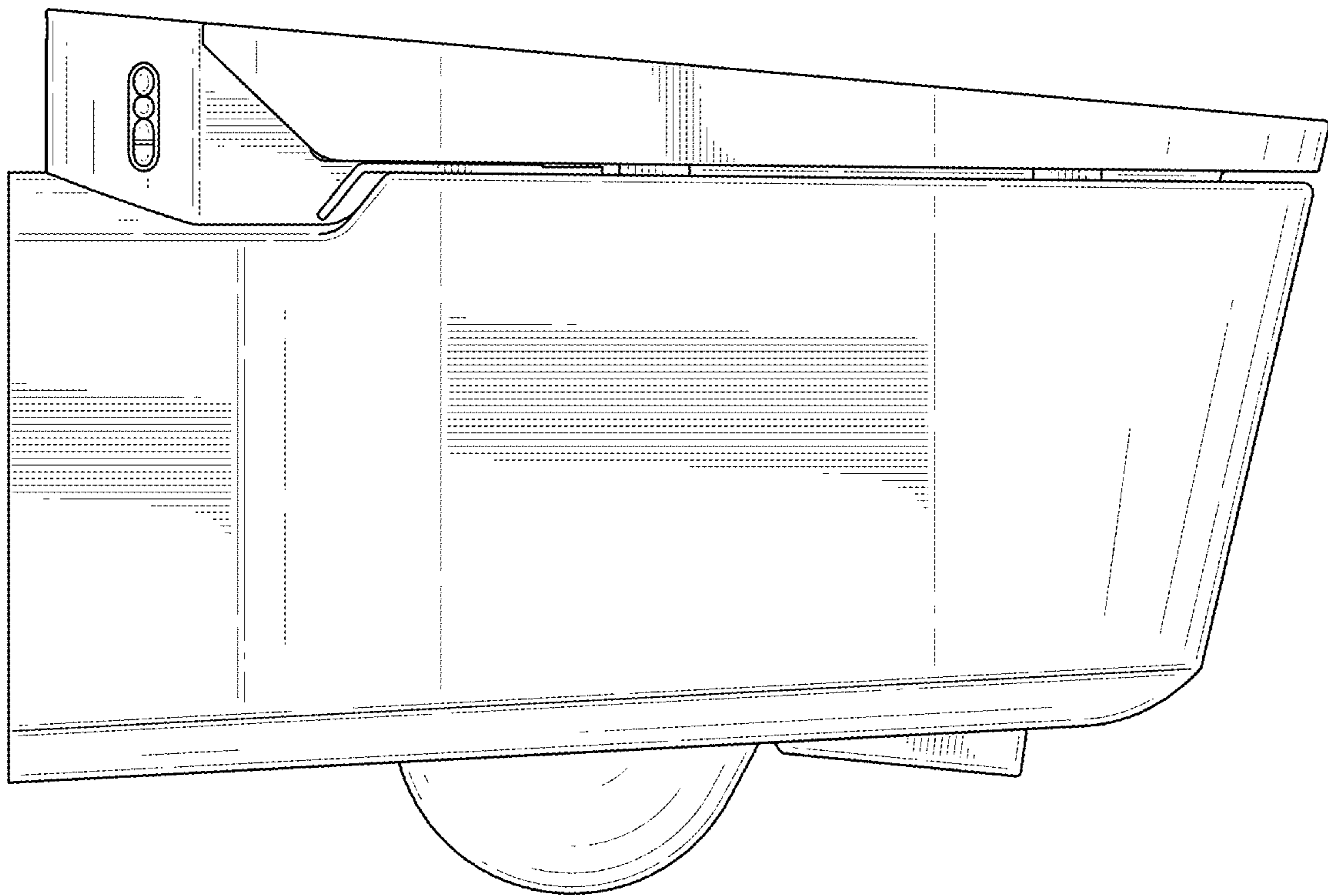


FIG.4

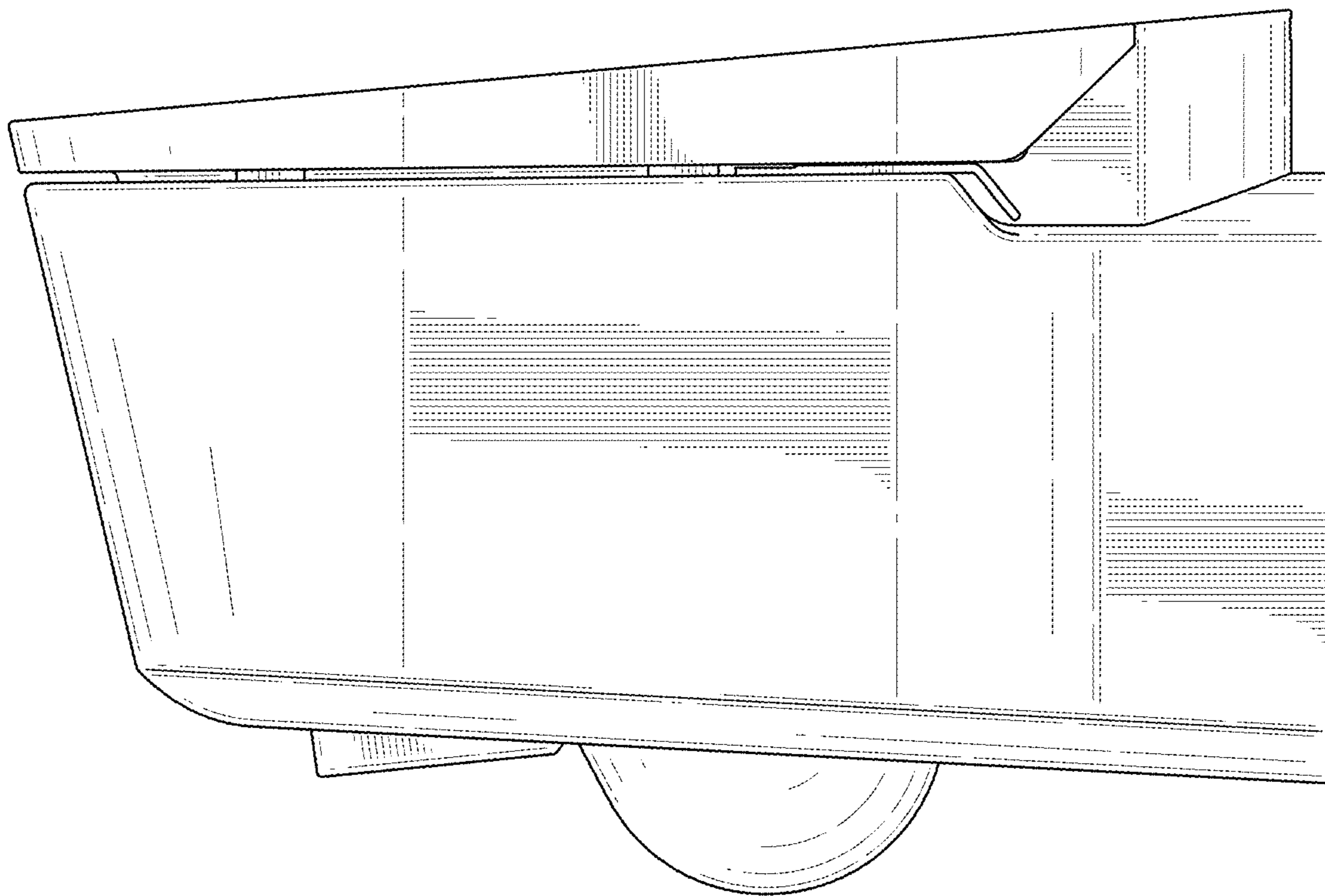


FIG.5

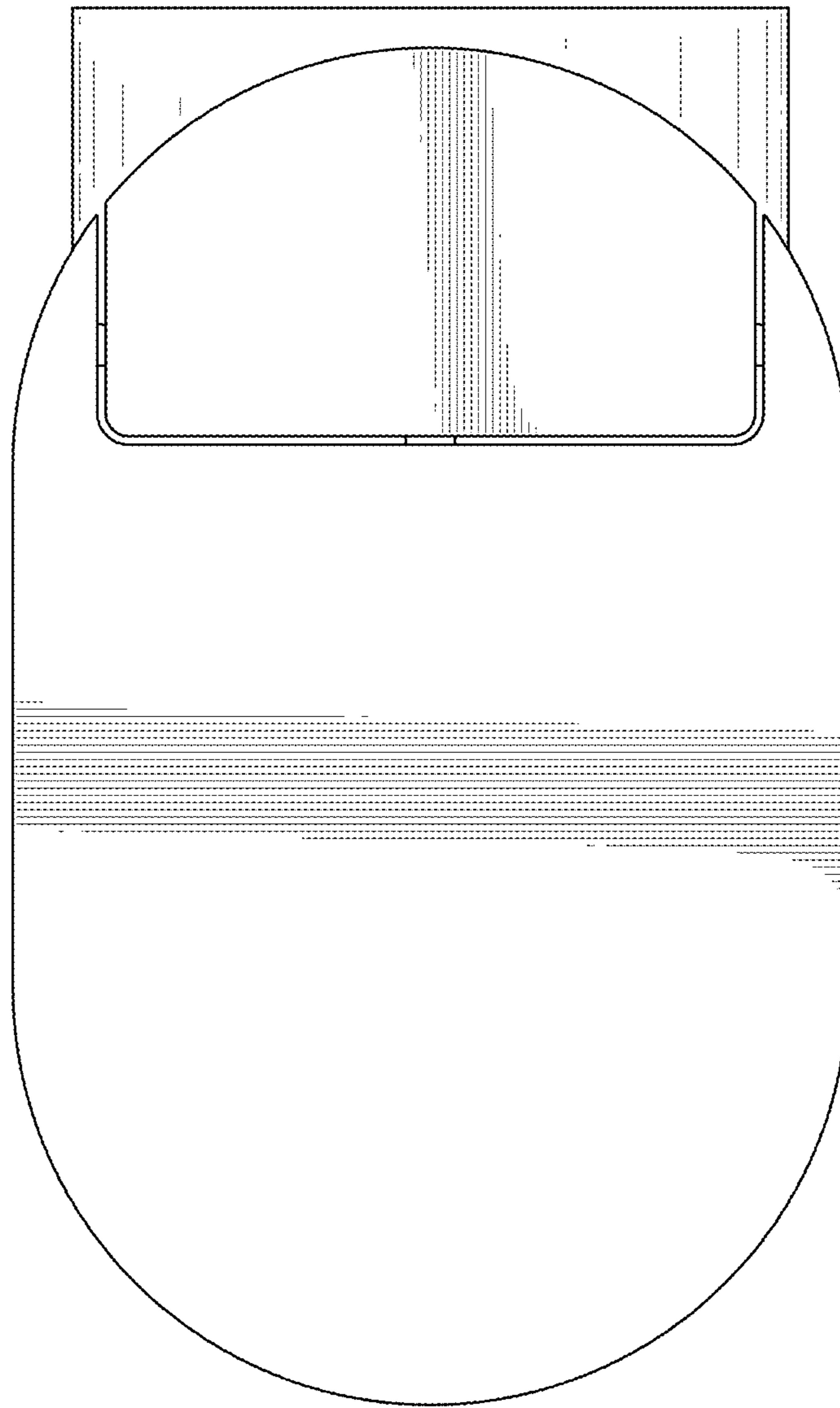


FIG.6

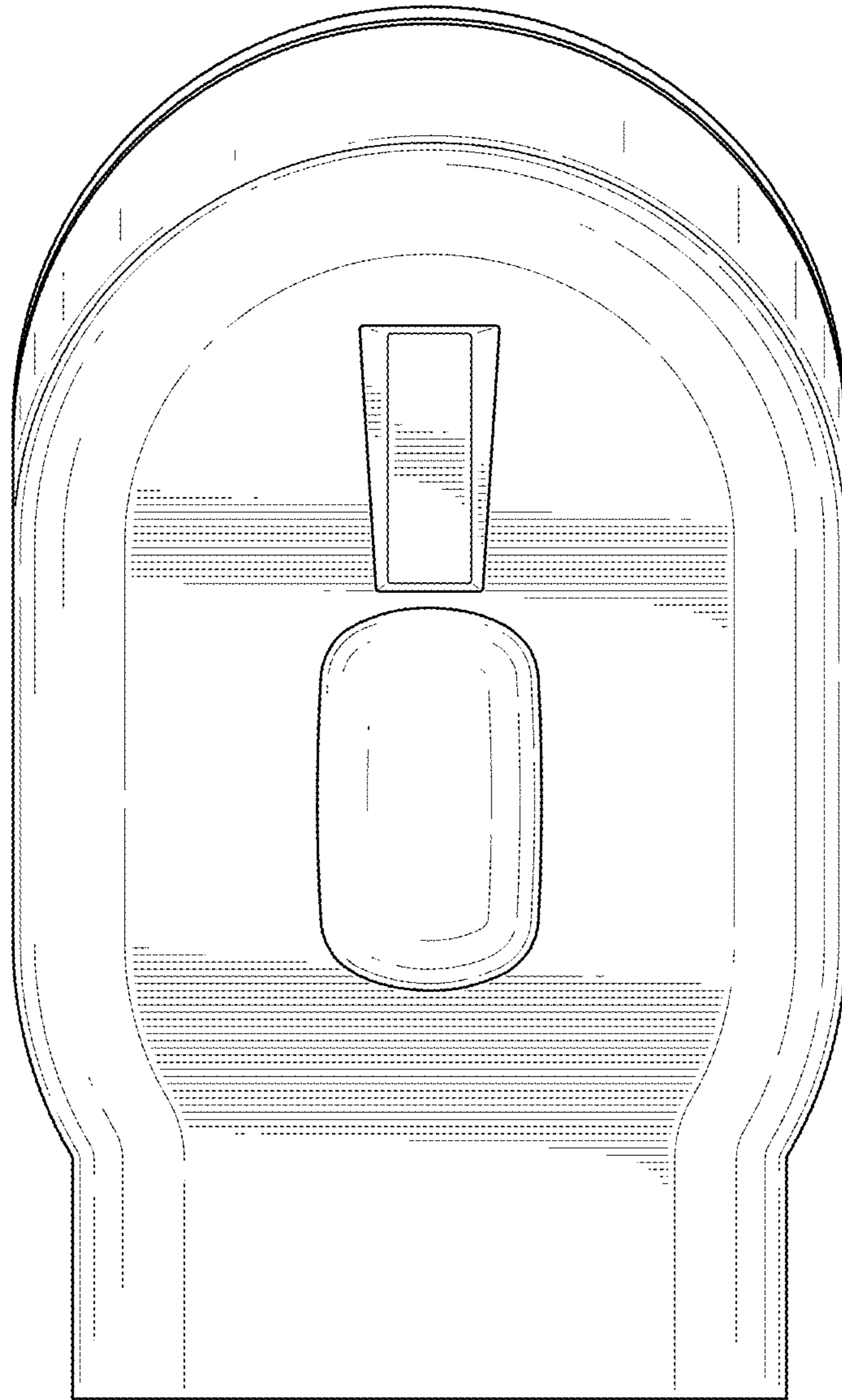


FIG.7