



US00D925706S

(12) **United States Design Patent**
Liu

(10) **Patent No.:** **US D925,706 S**

(45) **Date of Patent:** **** Jul. 20, 2021**

(54) **FAUCET BODY**

(71) Applicant: **Qiwen Liu**, Hunan (CN)

(72) Inventor: **Qiwen Liu**, Hunan (CN)

(73) Assignee: **SHENZHEN MINGSHENG KITCHEN EQUIPMENT CO., LTD.**, Shenzhen (CN)

(**) Term: **15 Years**

(21) Appl. No.: **29/771,026**

(22) Filed: **Feb. 19, 2021**

(51) **LOC (13) Cl.** **23-01**

(52) **U.S. Cl.**
USPC **D23/241**

(58) **Field of Classification Search**
USPC D23/241-243, 249
CPC F16K 19/006
See application file for complete search history.

(56) **References Cited**

U.S. PATENT DOCUMENTS

| | | | | | |
|-----------|-----|---------|-------|-------|---------------------------|
| 4,672,994 | A * | 6/1987 | Ko | | E03C 1/042 137/359 |
| 4,700,736 | A * | 10/1987 | Sheen | | F16K 5/0414 137/315.13 |
| 4,718,128 | A * | 1/1988 | Fan | | E03C 1/04 137/597 |
| 5,427,148 | A * | 6/1995 | Fan | | F16K 11/065 137/597 |
| D531,270 | S * | 10/2006 | Smith | | D23/241 |
| D579,082 | S | 10/2008 | Yuan | | |
| D581,498 | S | 11/2008 | Dolan | | |

| | | | | | |
|--------------|------|---------|--------------|-------|------------------------|
| D654,570 | S | 2/2012 | Yu | | |
| D712,521 | S | 9/2014 | Smith et al. | | |
| D714,913 | S | 10/2014 | Smith et al. | | |
| D791,282 | S | 7/2017 | Bahler | | |
| D811,556 | S | 2/2018 | Garland | | |
| D877,861 | S | 3/2020 | Garland | | |
| D896,925 | S * | 9/2020 | Liu | | D23/241 |
| 10,876,640 | B2 * | 12/2020 | Wang | | F16K 19/006 137/625 |
| 2011/0214766 | A1 * | 9/2011 | Hsieh | | E03C 1/02 137/625 |
| 2020/0200283 | A1 * | 6/2020 | Fujii | | F16K 19/006 |

* cited by examiner

Primary Examiner — Robert A Delehanty

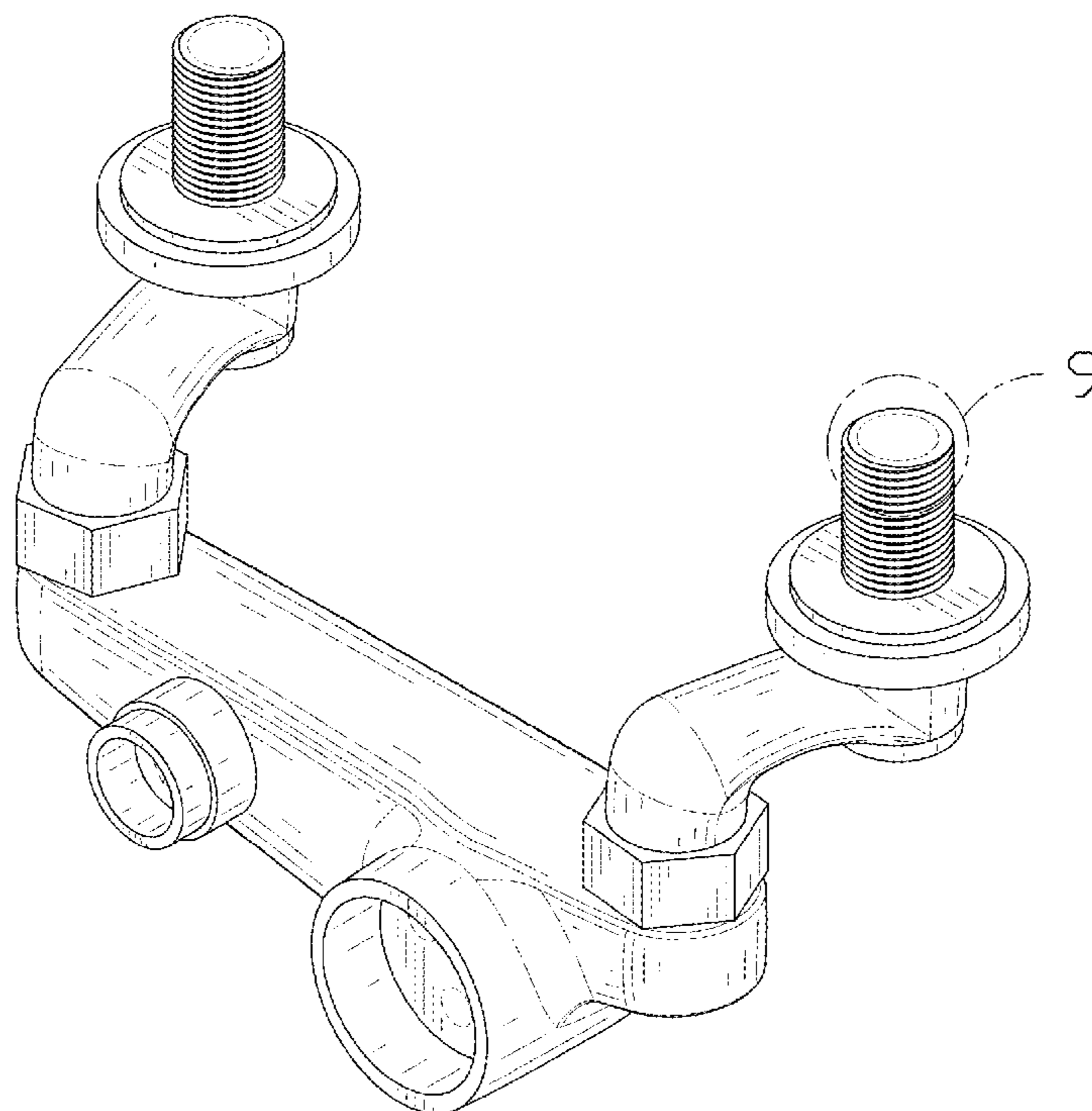
(57) **CLAIM**

The ornamental design for a faucet body, as shown and described.

DESCRIPTION

FIG. 1 is a perspective view of a faucet body showing my new design;
 FIG. 2 is another perspective view thereof;
 FIG. 3 is a front elevational view thereof;
 FIG. 4 is a rear elevational view thereof;
 FIG. 5 is a top plan view thereof;
 FIG. 6 is a bottom plan view thereof;
 FIG. 7 is a left side elevational view thereof;
 FIG. 8 is a right side elevational view thereof; and,
 FIG. 9 is an enlarged perspective view thereof.
 The broken lines throughout the drawing figures depict portions of the faucet body that form no part of the claimed design.

1 Claim, 9 Drawing Sheets



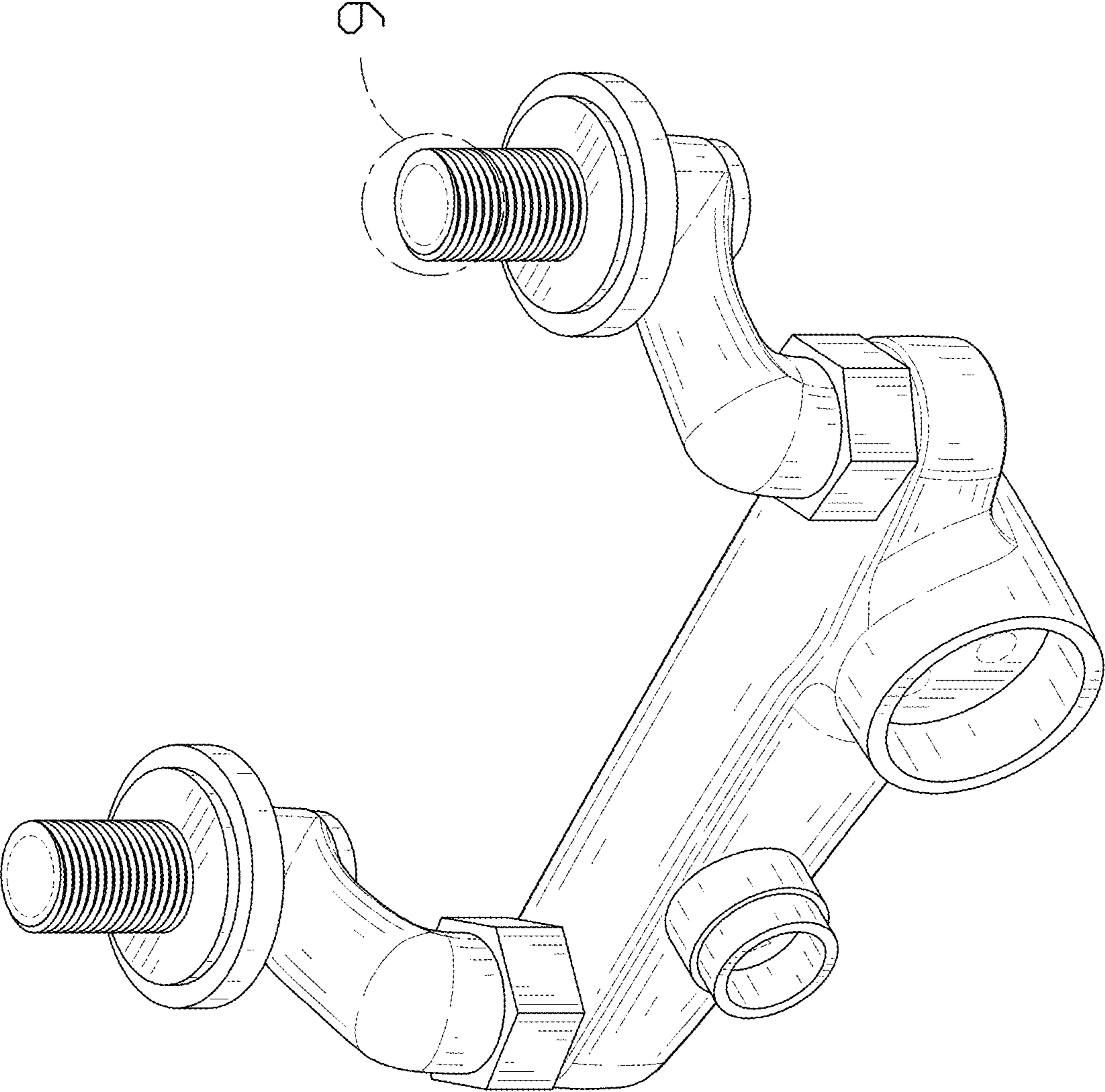


FIG. 1

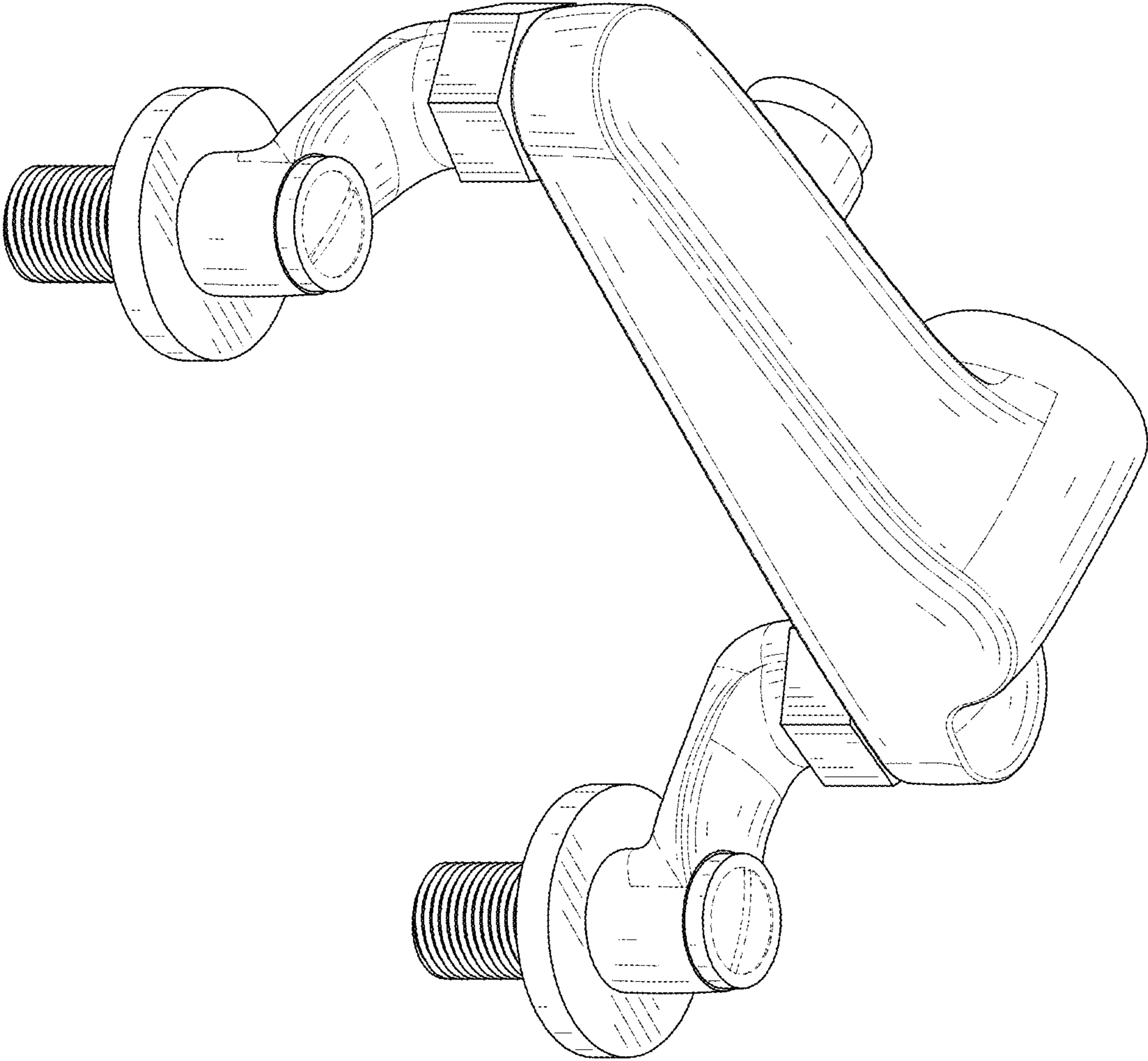


FIG. 2

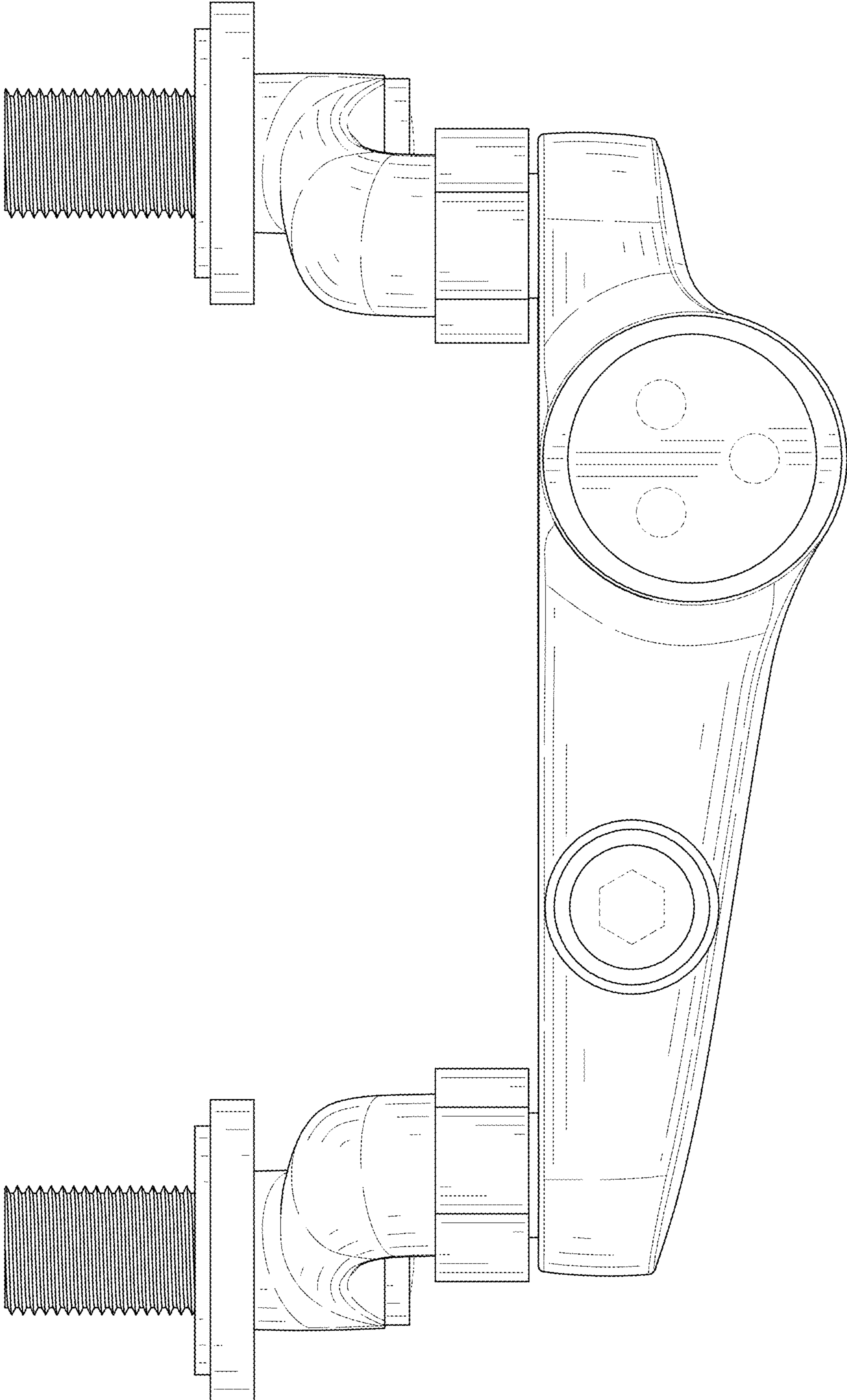


FIG. 3

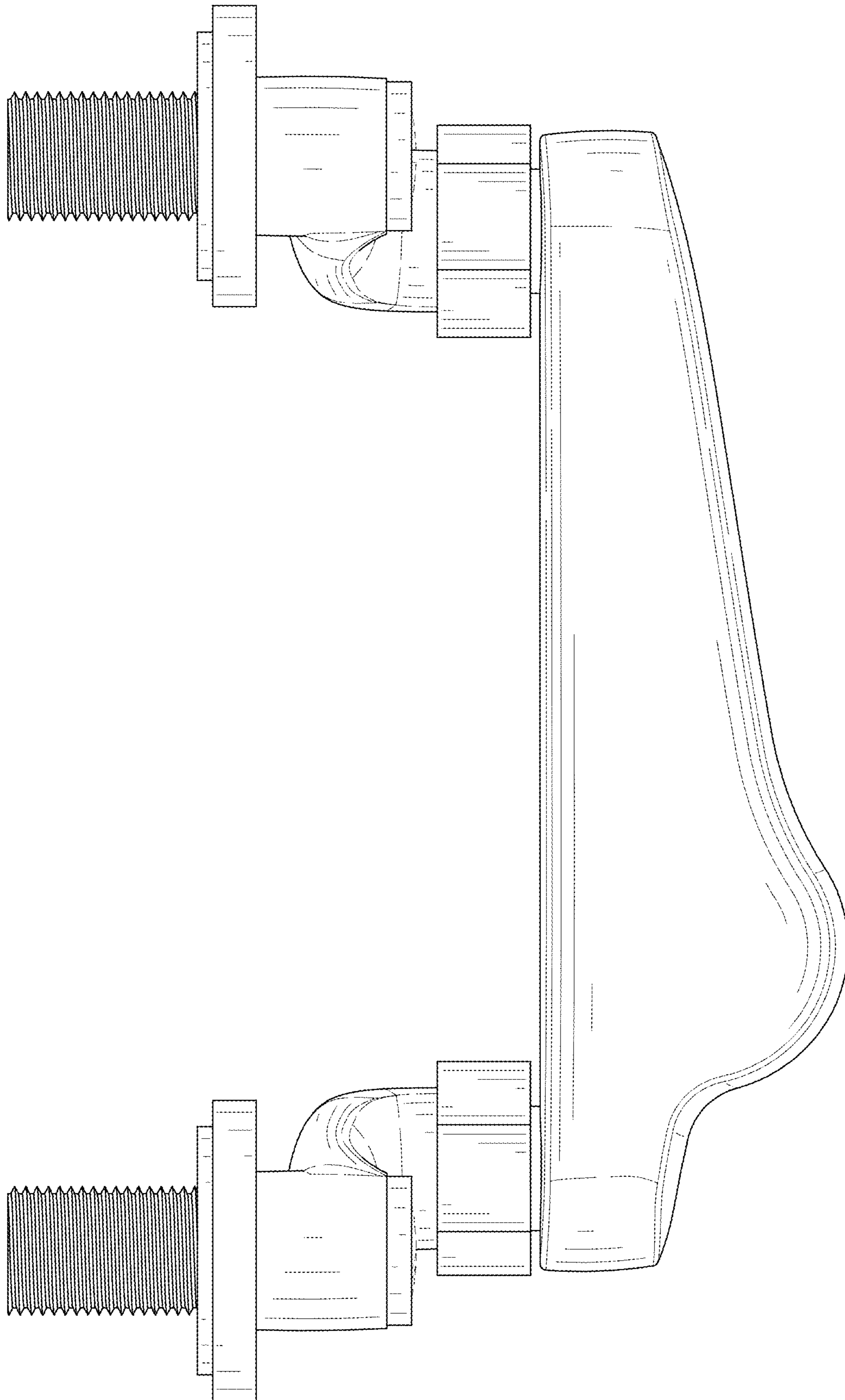


FIG. 4

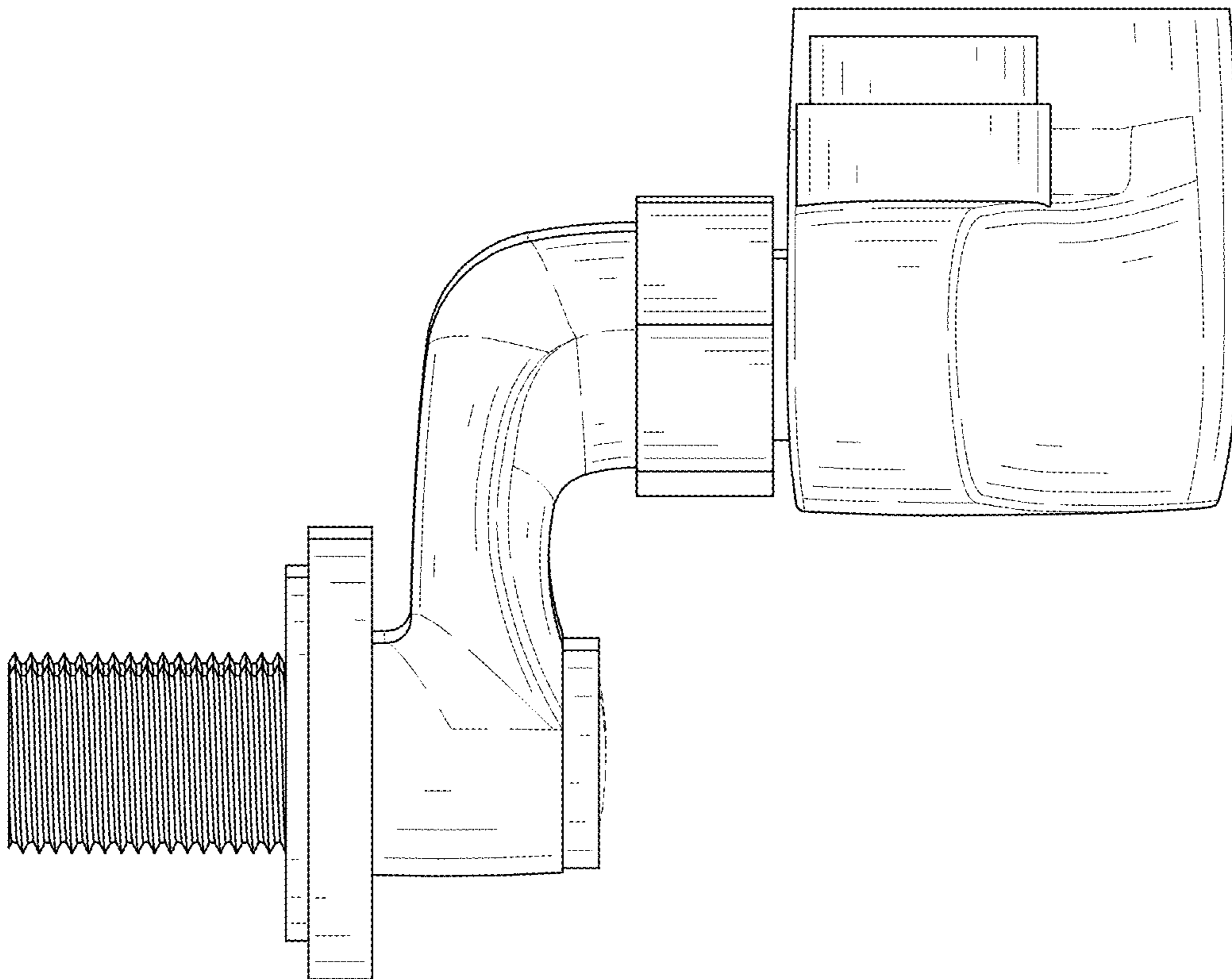


FIG. 5

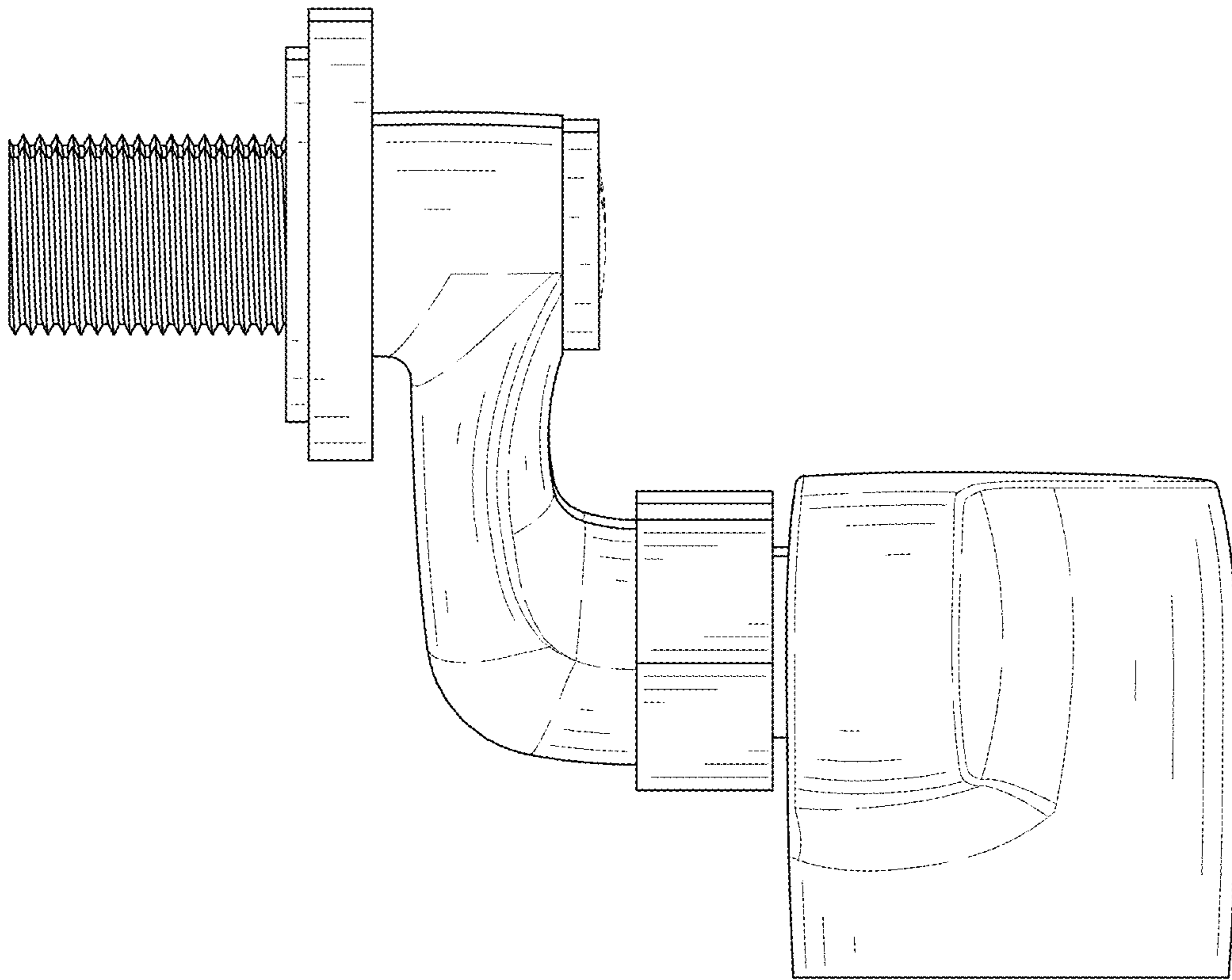


FIG. 6

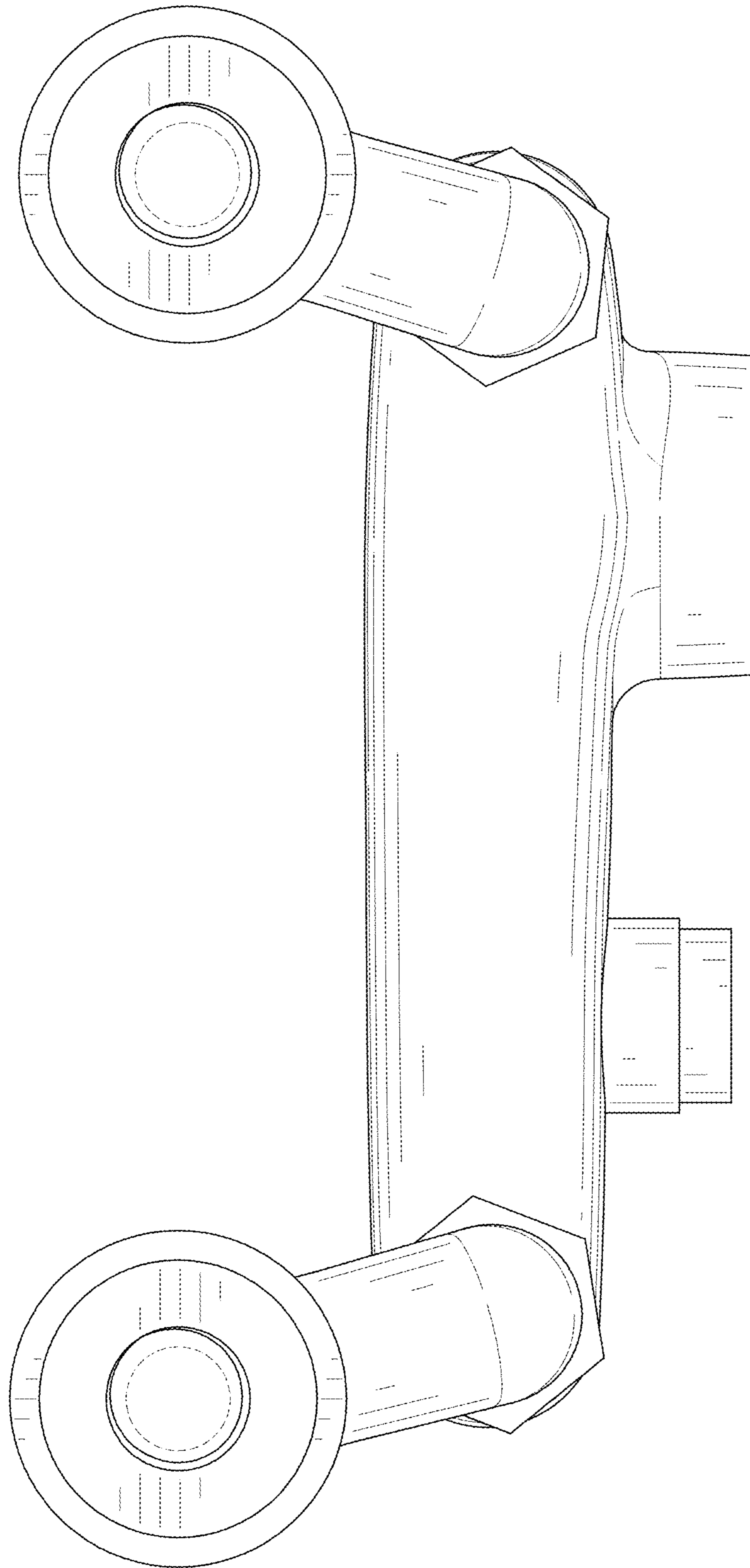


FIG. 7



FIG. 8

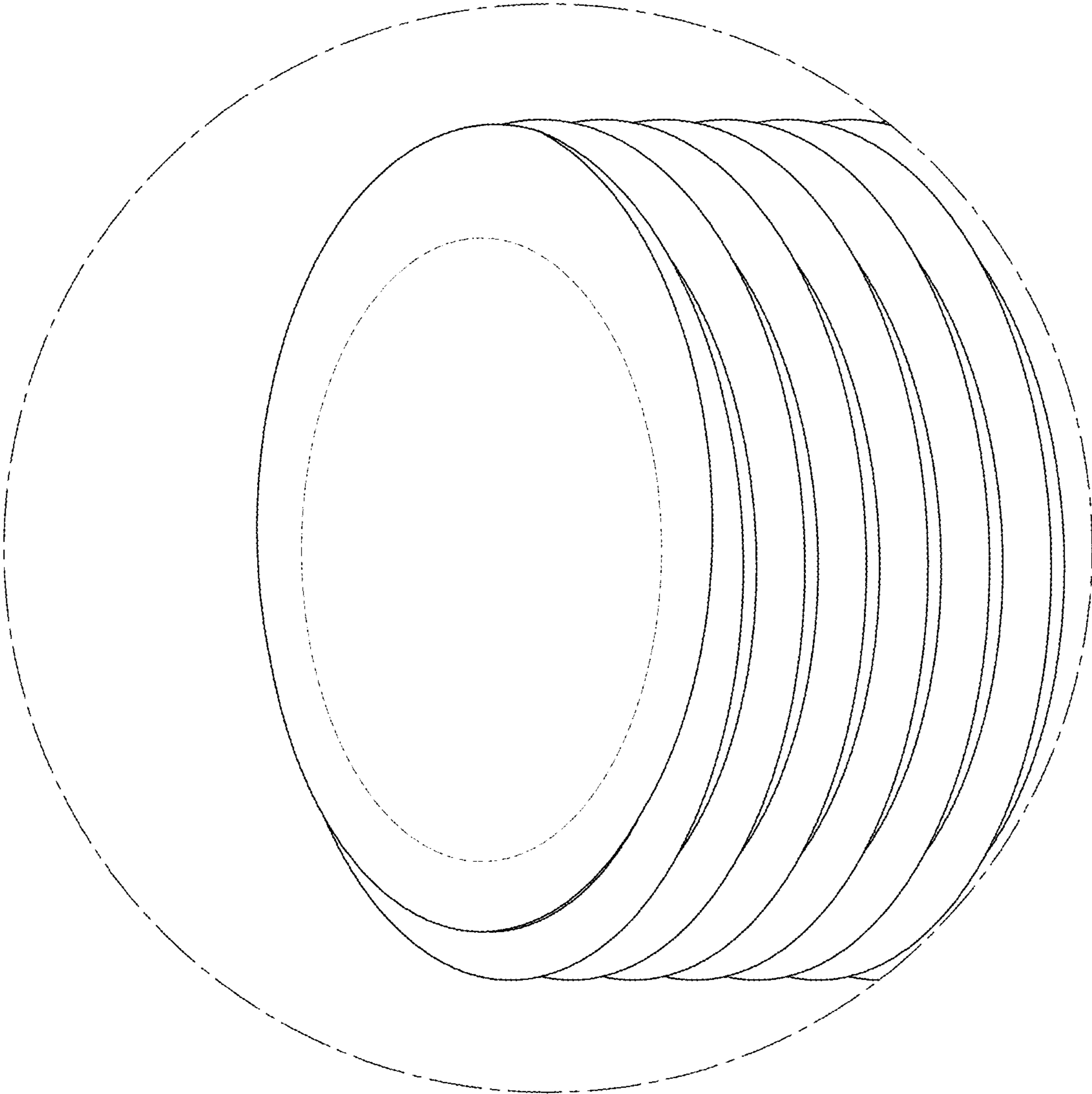


FIG. 9