



US00D925705S

(12) **United States Design Patent** (10) **Patent No.:** **US D925,705 S**
Chong et al. (45) **Date of Patent:** **** Jul. 20, 2021**

(54) **FAUCET**

(71) Applicant: **Elkay Manufacturing Company**,
Downers Grove, IL (US)
(72) Inventors: **Jonathan Chee Yeen Chong**, Chicago,
IL (US); **Jason Scott Silverstein**,
Palatine, IL (US); **David Alan Carhart**,
Cary, IL (US)

(73) Assignee: **ELKAY MANUFACTURING
COMPANY**, Downers Grove, IL (US)

(**) Term: **15 Years**

(21) Appl. No.: **29/733,794**

(22) Filed: **May 6, 2020**

Related U.S. Application Data

(62) Division of application No. 16/746,086, filed on Jan.
17, 2020.

(51) **LOC (13) Cl.** **23-01**

(52) **U.S. Cl.**
USPC **D23/238**

(58) **Field of Classification Search**
USPC D23/238-239, 249, 252, 255, 226;
D8/307-308
CPC E02C 2001/0415
See application file for complete search history.

(56) **References Cited**

U.S. PATENT DOCUMENTS

D534,245 S * 12/2006 Egli D23/238
D674,054 S * 1/2013 Lord D23/252
10,519,635 B2 * 12/2019 Fourman E03C 1/0405
D882,735 S * 4/2020 Seum D23/238
D884,123 S * 5/2020 Eads D23/238
2018/0030700 A1 * 2/2018 Zindler E03C 1/0404

* cited by examiner

Primary Examiner — Robert A Delehanty

(74) *Attorney, Agent, or Firm* — Neal, Gerber &
Eisenberg LLP; Tanvi Patel; Nawshaba Siddiquee

(57) **CLAIM**

The ornamental design for a faucet, as shown and described.

DESCRIPTION

FIG. 1 is a front perspective view of a faucet, showing our
new design.

FIG. 2 is a front elevation view thereof.

FIG. 3 is a rear elevation view thereof.

FIG. 4 is a first side elevation view thereof.

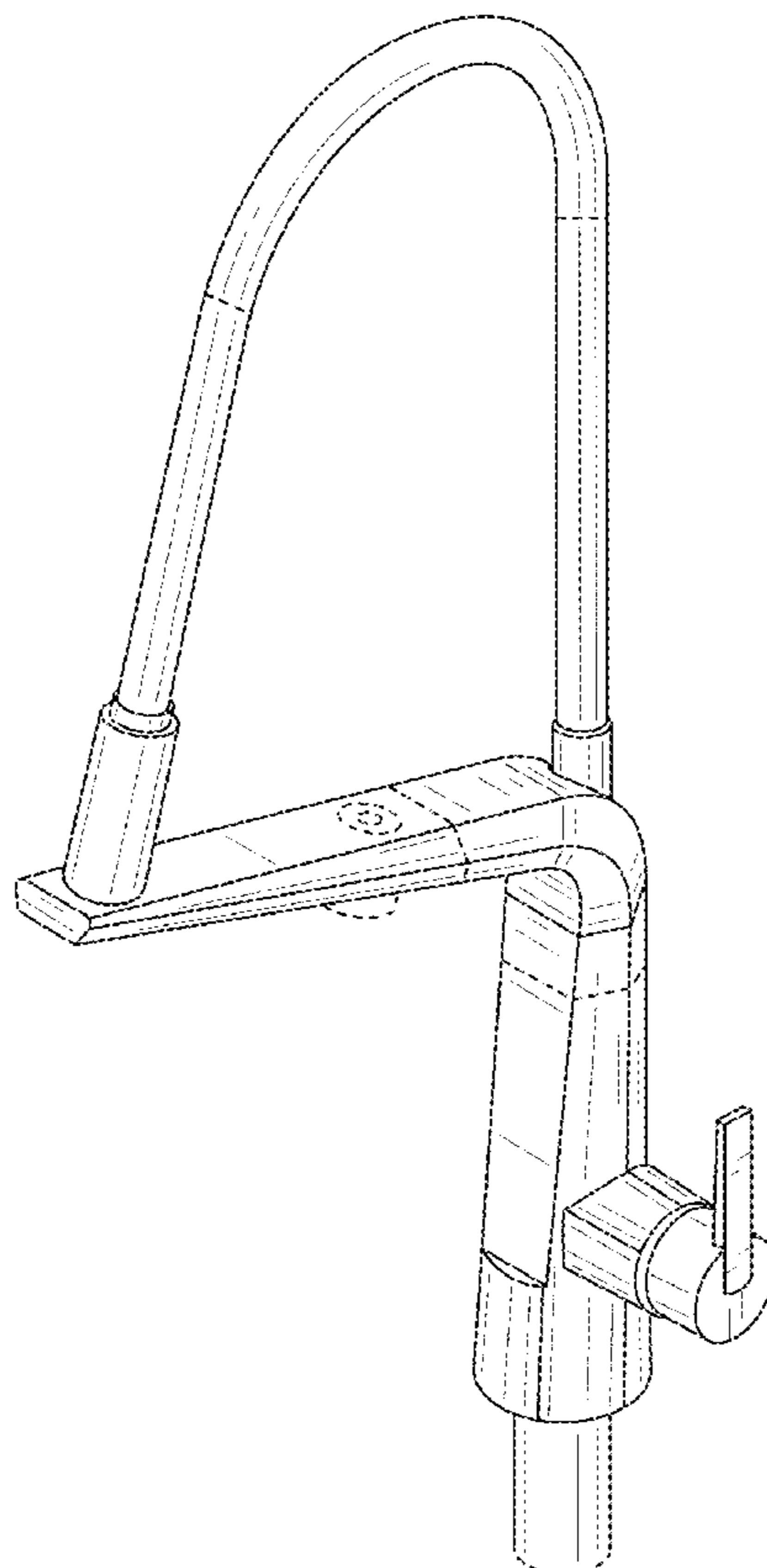
FIG. 5 is a second side elevation view thereof.

FIG. 6 is a top plan view thereof; and,

FIG. 7 is a bottom plan view thereof.

The broken lines are directed to environment, for illustrative
purposes only, and form no part of the claimed design.

1 Claim, 7 Drawing Sheets



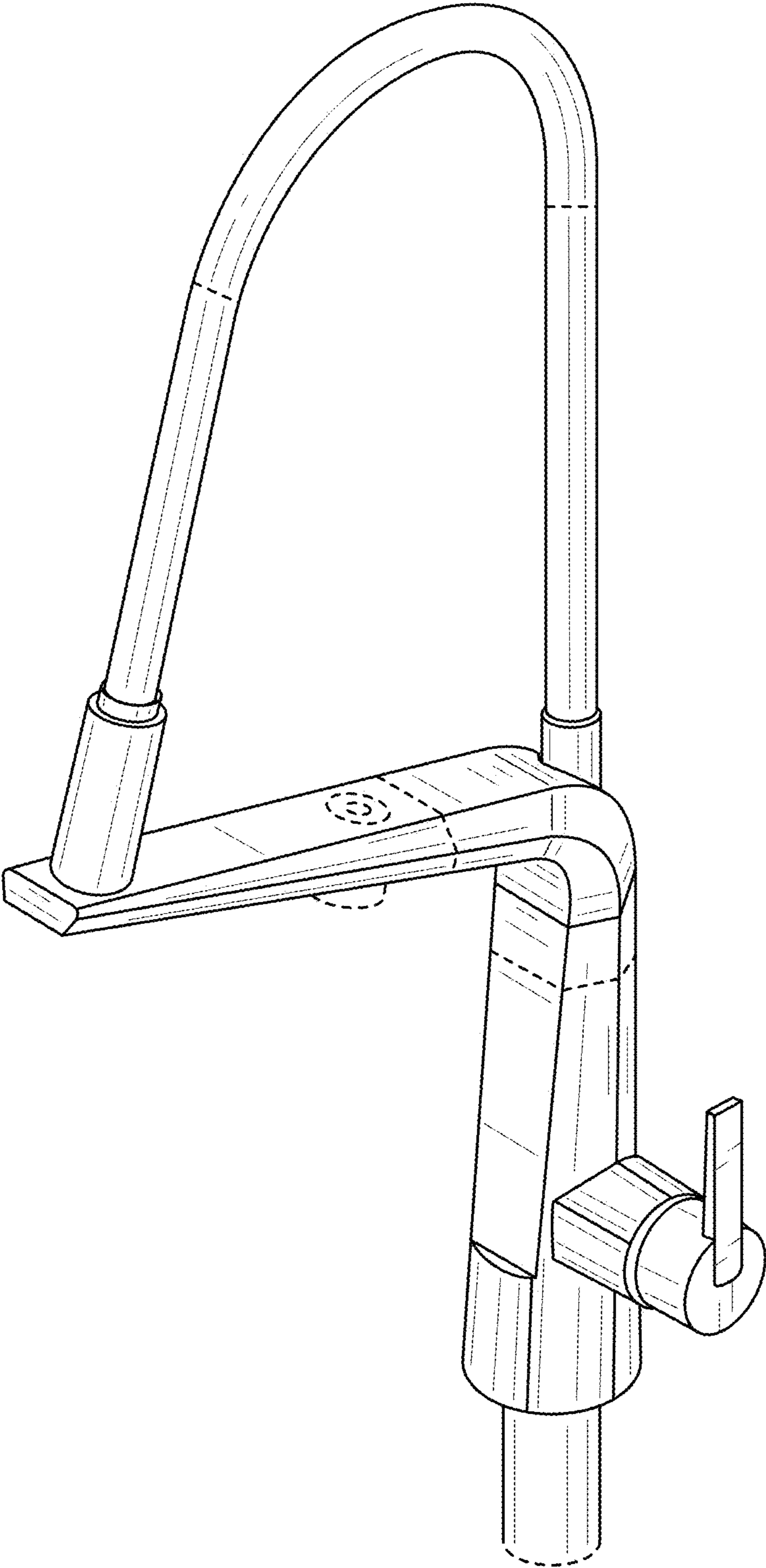


FIG. 1

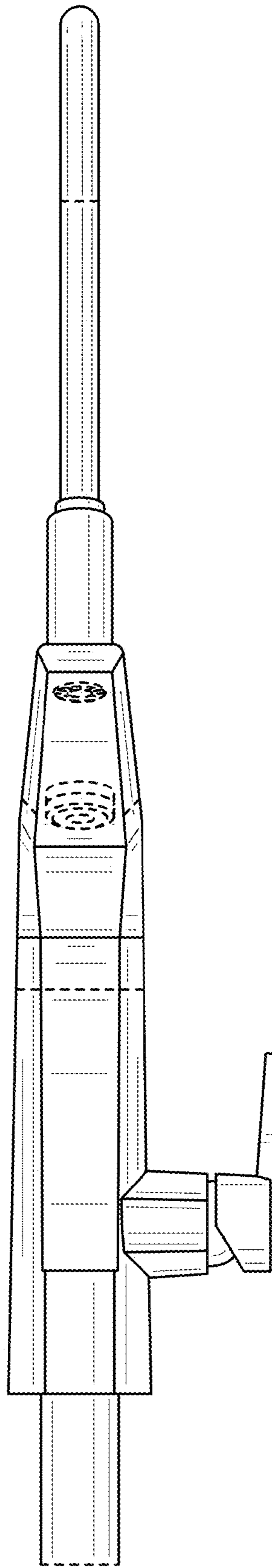


FIG. 2

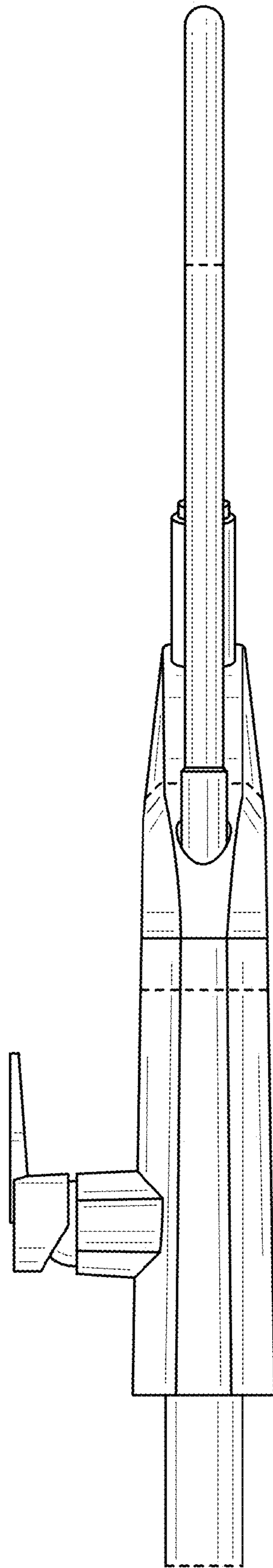


FIG. 3

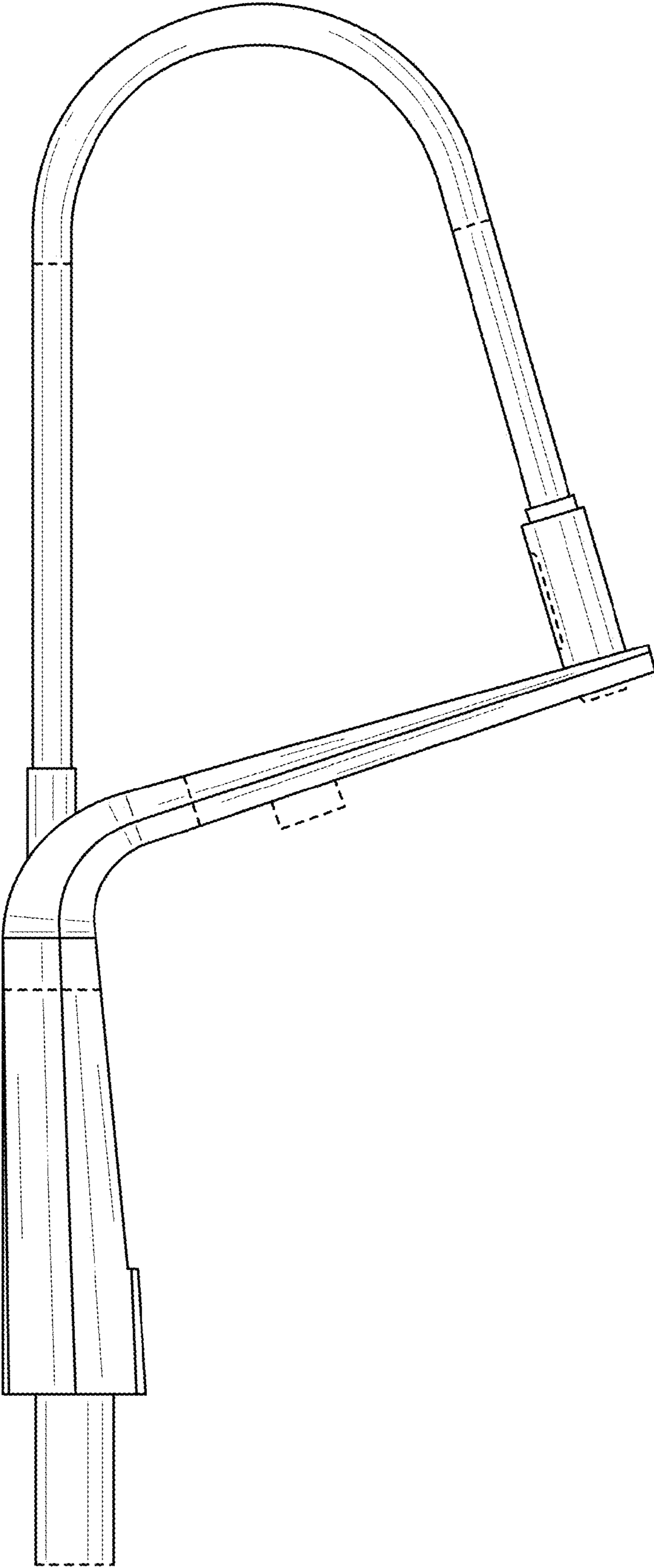


FIG. 4

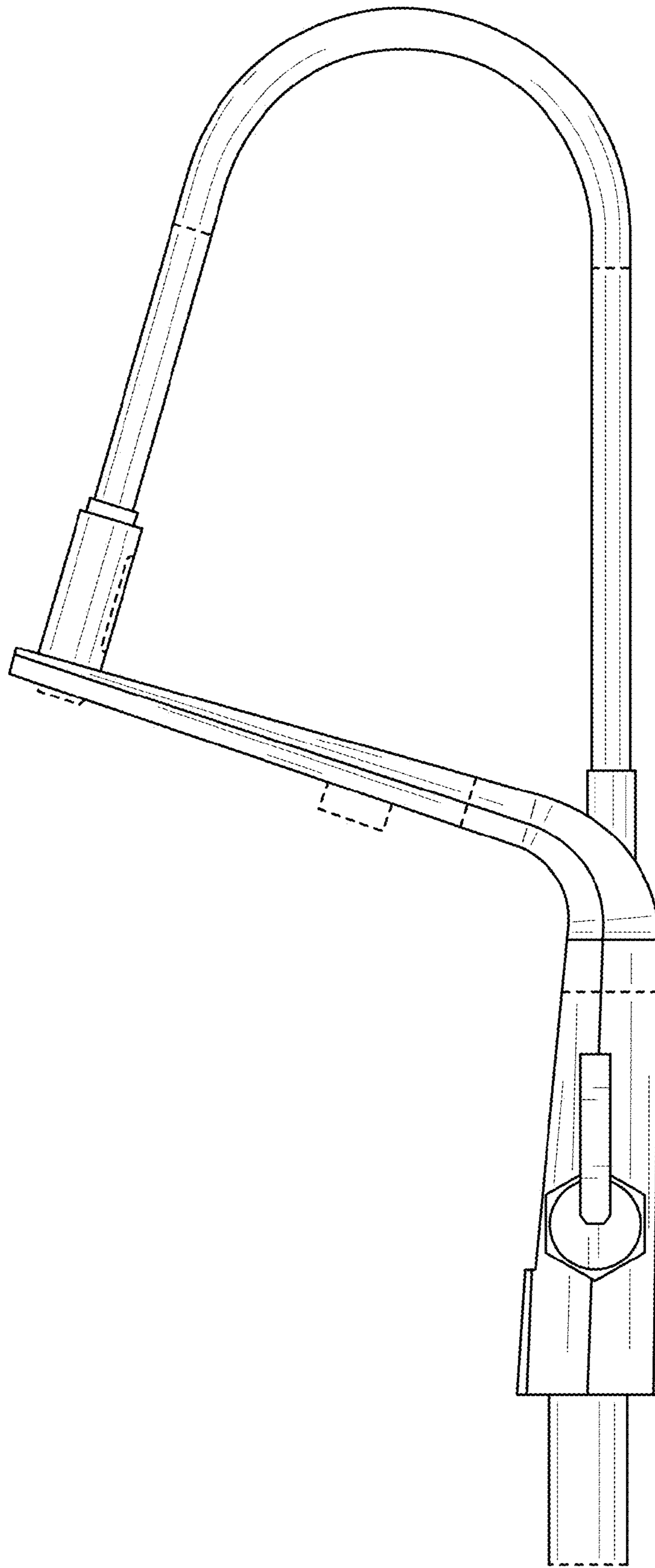


FIG. 5

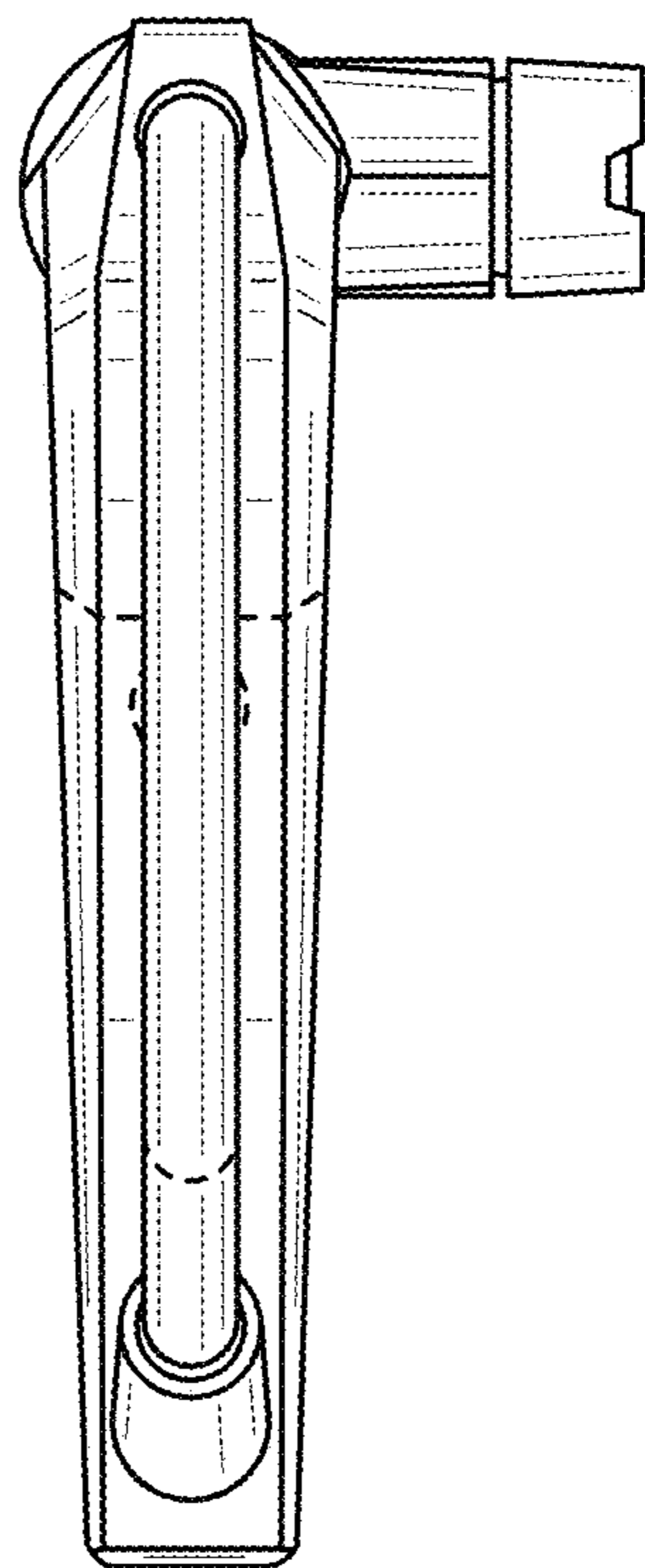


FIG. 6

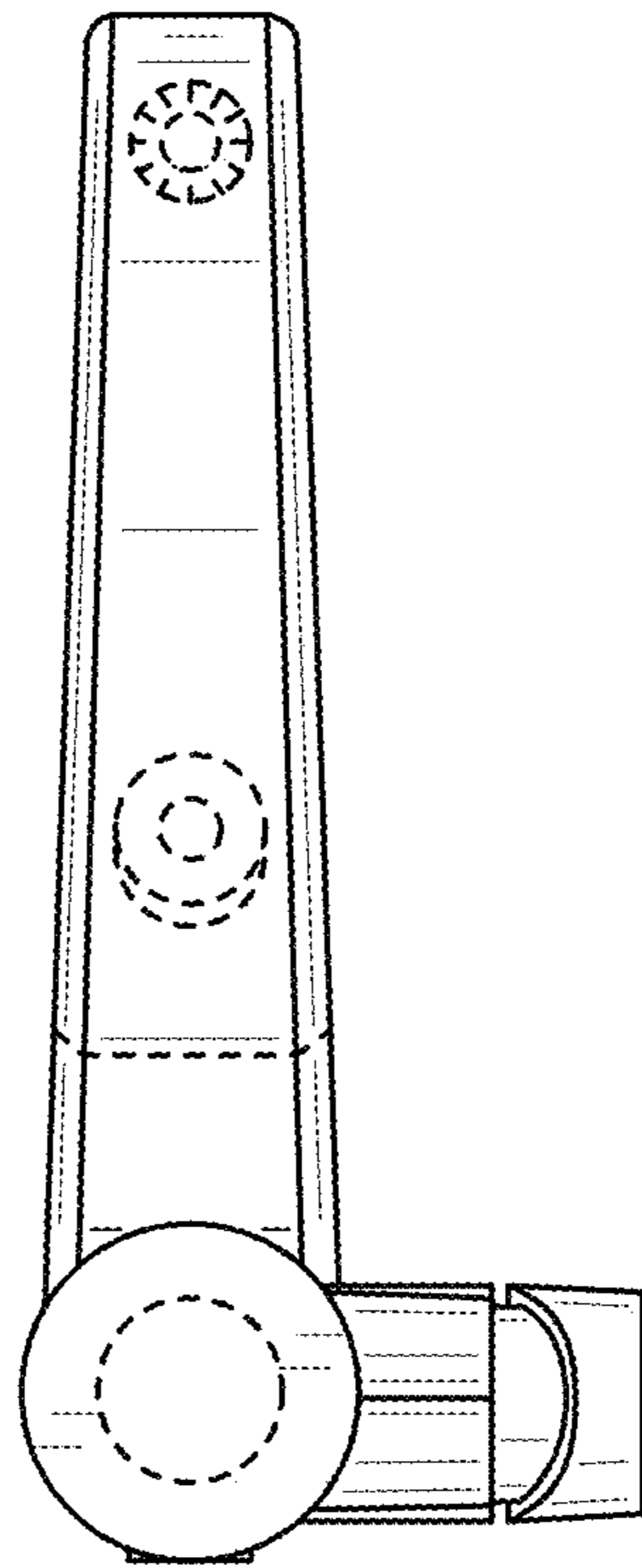


FIG. 7