



US00D925704S

(12) **United States Design Patent**
Yan et al.

(10) **Patent No.:** **US D925,704 S**

(45) **Date of Patent:** **** Jul. 20, 2021**

(54) **KITCHEN FAUCET**

(71) Applicant: **Xiamen Forbetter Sanitary Ware Co., Ltd.**, Fujian (CN)

(72) Inventors: **Xiliang Yan**, Fujian (CN); **Yindong Mao**, Fujian (CN); **Wenbo Wu**, Fujian (CN); **Mouyong Lin**, Fujian (CN)

(**) Term: **15 Years**

(21) Appl. No.: **29/713,939**

(22) Filed: **Nov. 20, 2019**

(30) **Foreign Application Priority Data**

Oct. 8, 2019 (CN) 201930545450.2

(51) **LOC (13) Cl.** **23-01**

(52) **U.S. Cl.**
USPC **D23/238**

(58) **Field of Classification Search**
USPC D23/238–244, 252, 254–255, 257;
D8/307–308

CPC F16K 31/602; F16K 31/605; F16K 31/607;
E03C 1/0412

See application file for complete search history.

(56) **References Cited**

U.S. PATENT DOCUMENTS

D521,109 S *	5/2006	Lord	D23/238
D689,595 S *	9/2013	Georgeson	D23/238
D705,399 S *	5/2014	Flowers	D23/238
D828,508 S *	9/2018	Fritz	D23/238
D840,509 S *	2/2019	Garland	D23/238
D842,429 S *	3/2019	Huang	D23/213
D842,430 S *	3/2019	Huang	D23/213
D849,201 S *	5/2019	Zhang	D23/238
D867,532 S *	11/2019	Liao	D23/238
D868,211 S *	11/2019	Garland	D23/238
D870,851 S *	12/2019	Tentler	D23/238

D870,852 S *	12/2019	Eads	D23/238
D871,546 S *	12/2019	Bahler	D23/238
D871,547 S *	12/2019	Eads	D23/238

(Continued)

FOREIGN PATENT DOCUMENTS

CN	301476662	*	9/2010
CN	304542621	*	2/2018
CN	305018404	*	6/2018

OTHER PUBLICATIONS

Honsgrohe Talis Kitchen Foucet, announced Aug. 3, 2010[online], [site visited Feb. 11, 2021], Availoble from internet, URL:< https://www.amazon.com/Talis-Single-Hole-Kitchen-1spray/dp/B006P7M2H6> (Year: 2010).*

(Continued)

Primary Examiner — Barbara Fox

Assistant Examiner — Jamaal Rasheed

(74) *Attorney, Agent, or Firm* — Prakash Nama; Global IP Services, PLLC

(57) **CLAIM**

The ornamental design for a kitchen faucet, as shown and described.

DESCRIPTION

FIG. 1 is a front elevational view of a kitchen faucet showing our new design;

FIG. 2 is a rear elevational view thereof;

FIG. 3 is a left side view thereof;

FIG. 4 is an enlarged view of portion 4 shown in FIG. 3;

FIG. 5 is a right side view thereof;

FIG. 6 is a top plan view thereof;

FIG. 7 is a bottom plan view thereof;

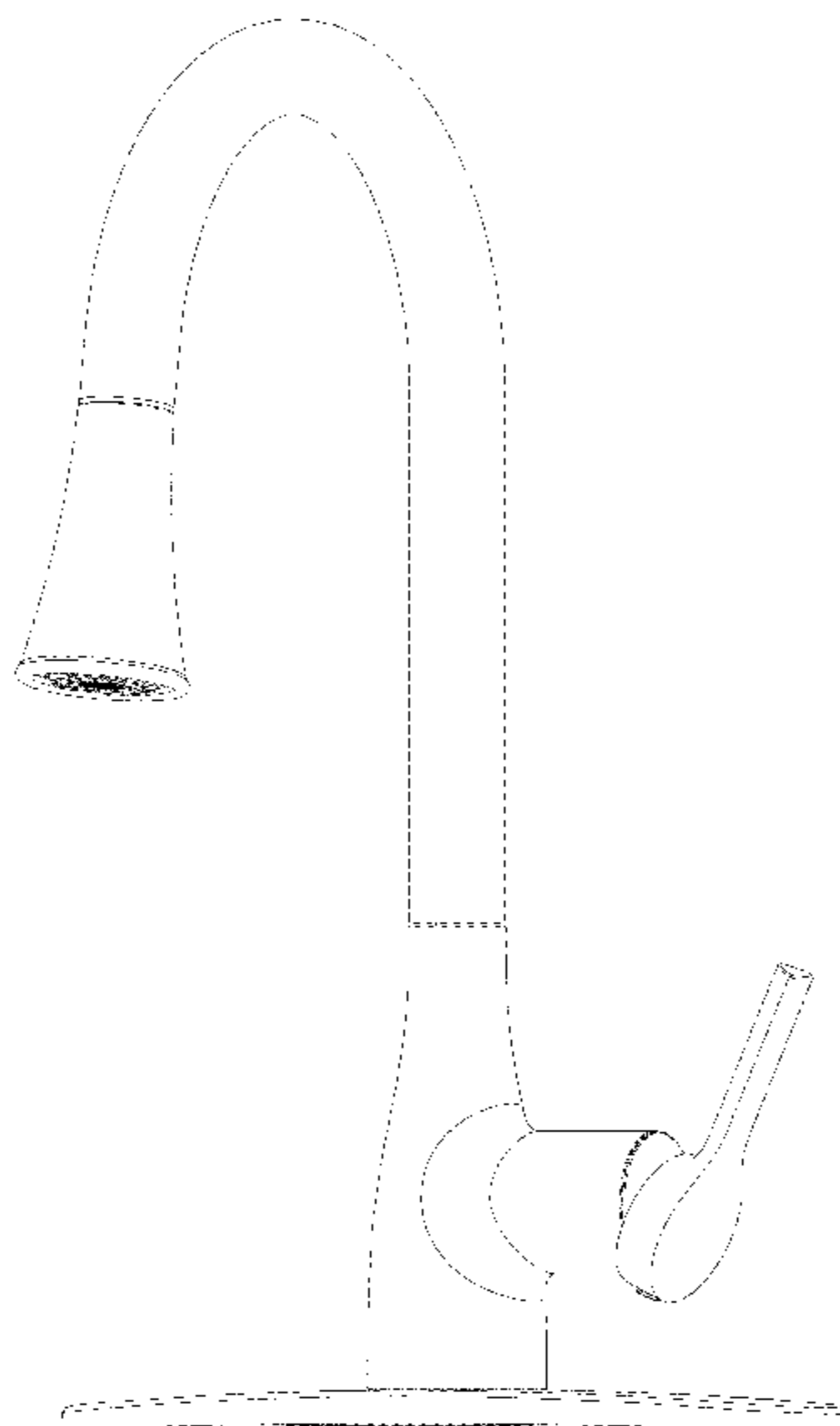
FIG. 8 is an enlarged view of portion 8 shown in FIG. 7;

FIG. 9 is a perspective view thereof;

FIG. 10 is an enlarged view of portion 10 shown in FIG. 9; and,

FIG. 11 is a perspective view in the state of use.

1 Claim, 11 Drawing Sheets



(56)

References Cited

U.S. PATENT DOCUMENTS

D871,548 S * 12/2019 Tentler D23/238
D872,235 S * 1/2020 Garland D23/238
D873,379 S * 1/2020 Fritz D23/238
D873,380 S * 1/2020 Judge D23/238
D873,960 S * 1/2020 Fritz D23/238
D874,613 S * 2/2020 Park D23/238
D879,914 S * 3/2020 Lazarini D23/238
D883,435 S * 5/2020 Lu D23/238
2019/0085538 A1* 3/2019 Chang F16K 5/08
2019/0330828 A1* 10/2019 Yan E03C 1/057

OTHER PUBLICATIONS

FORIOUS Kitchen Faucet with Pull Down Sprayer Brushed Nickel, announced Sep. 20, 2019[online], [site visited Feb. 11, 2021]. Available from internet, URL:<<https://www.amazon.com/Stainless-Kitchen-Sprayer-Commercial-FORIOUS/dp/B07Y4Y88Y6>> (Year: 2019).*

Raeye Commercial Kitchen Faucet, announced May 26, 2020[online], [site visited Feb. 11, 2021], Available from internet, URL:< <https://www.amazon.com/Raeye-Kitchen-Sprayer-Brushed-Commercial/dp/B0899HFBCR>> (Year: 2020).*

* cited by examiner

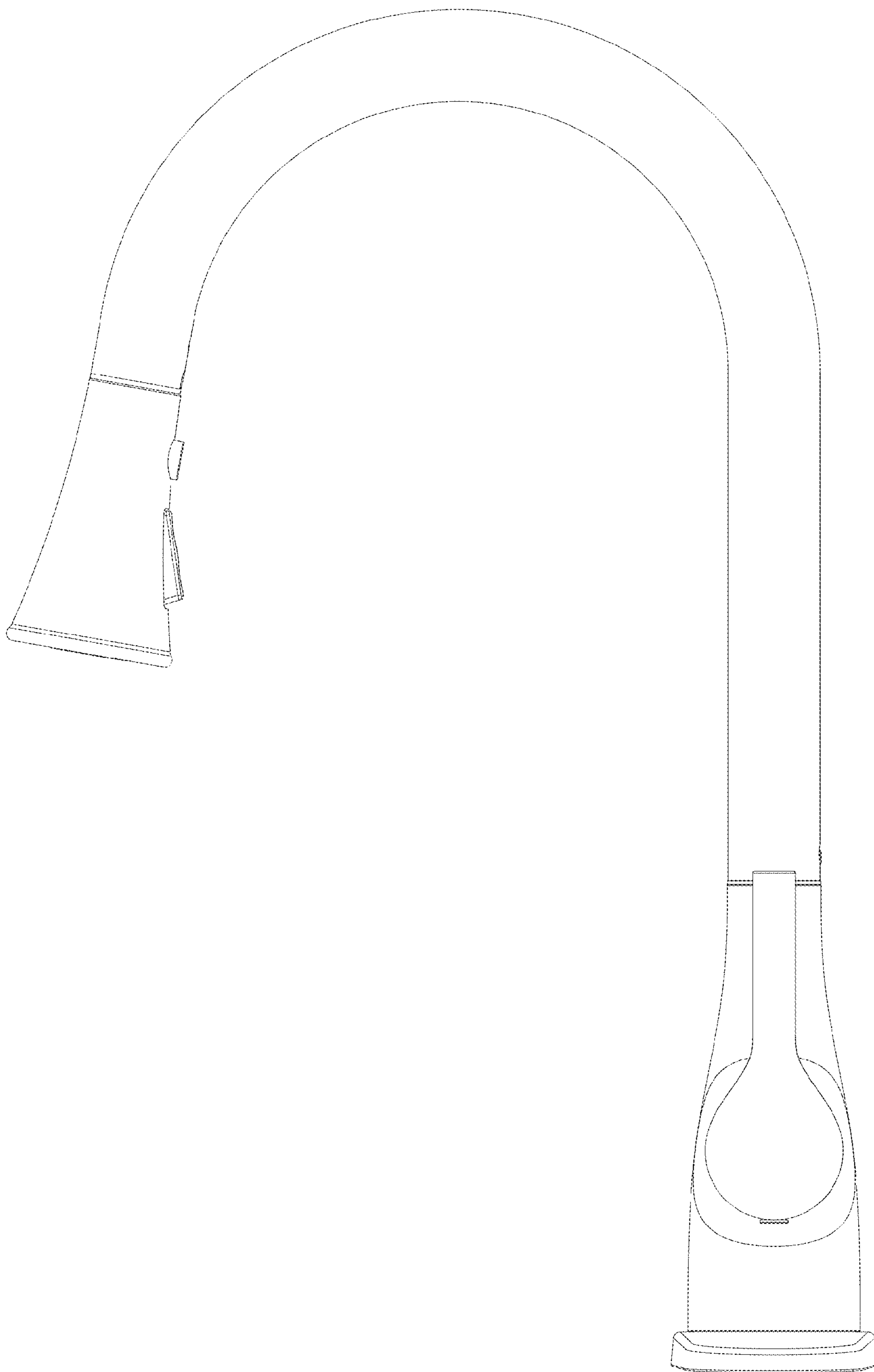


Fig. 1

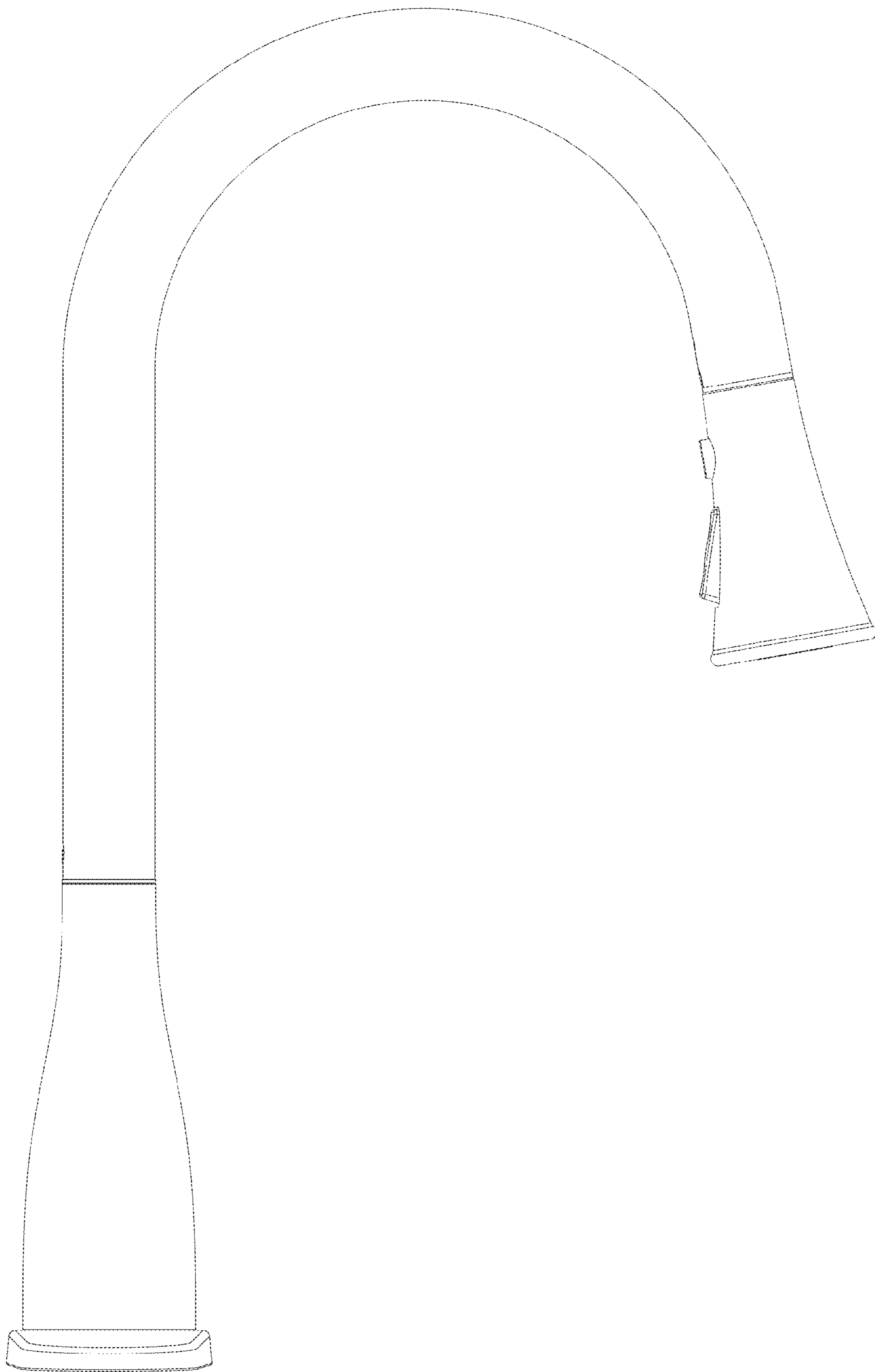


Fig. 2

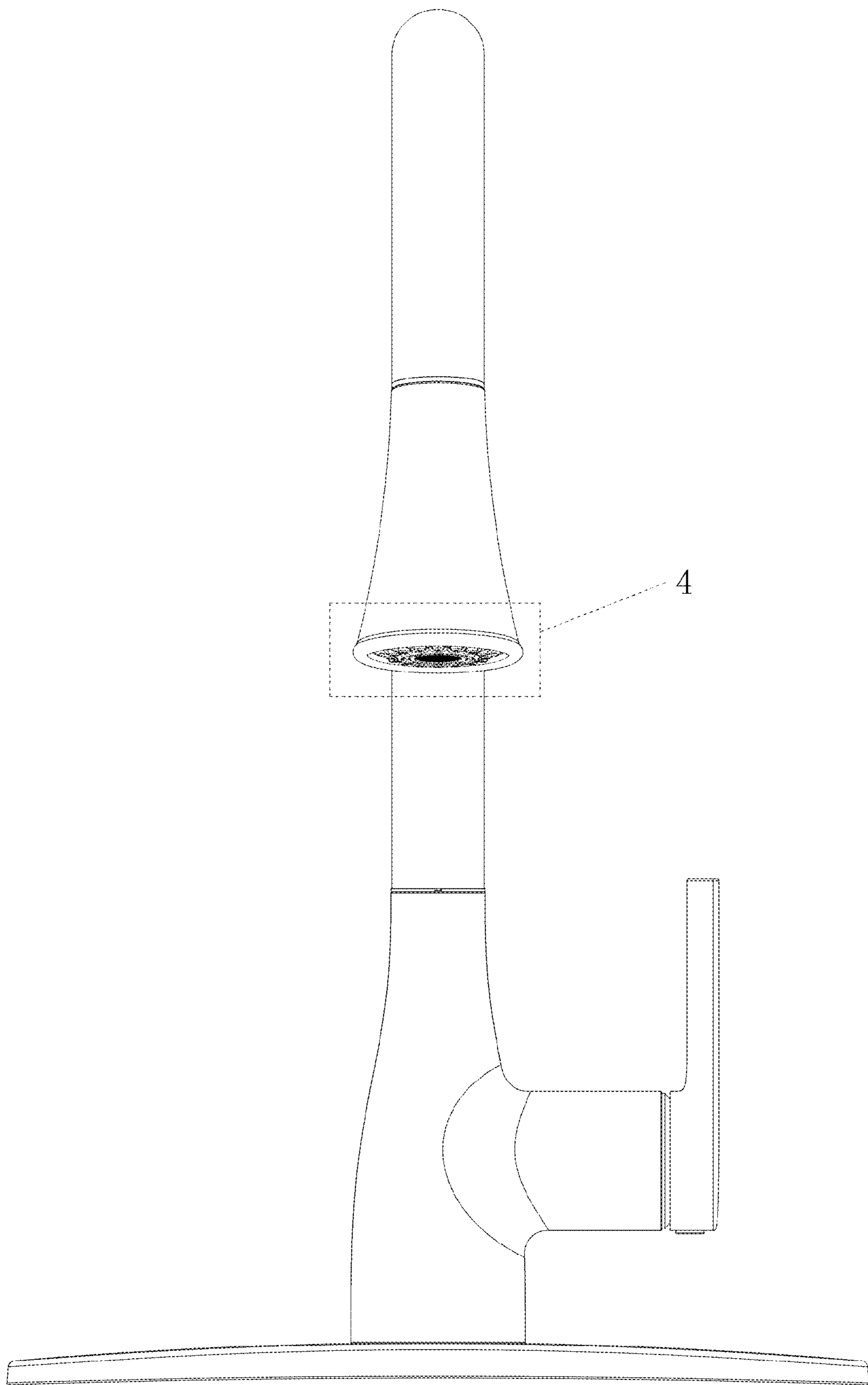


Fig. 3

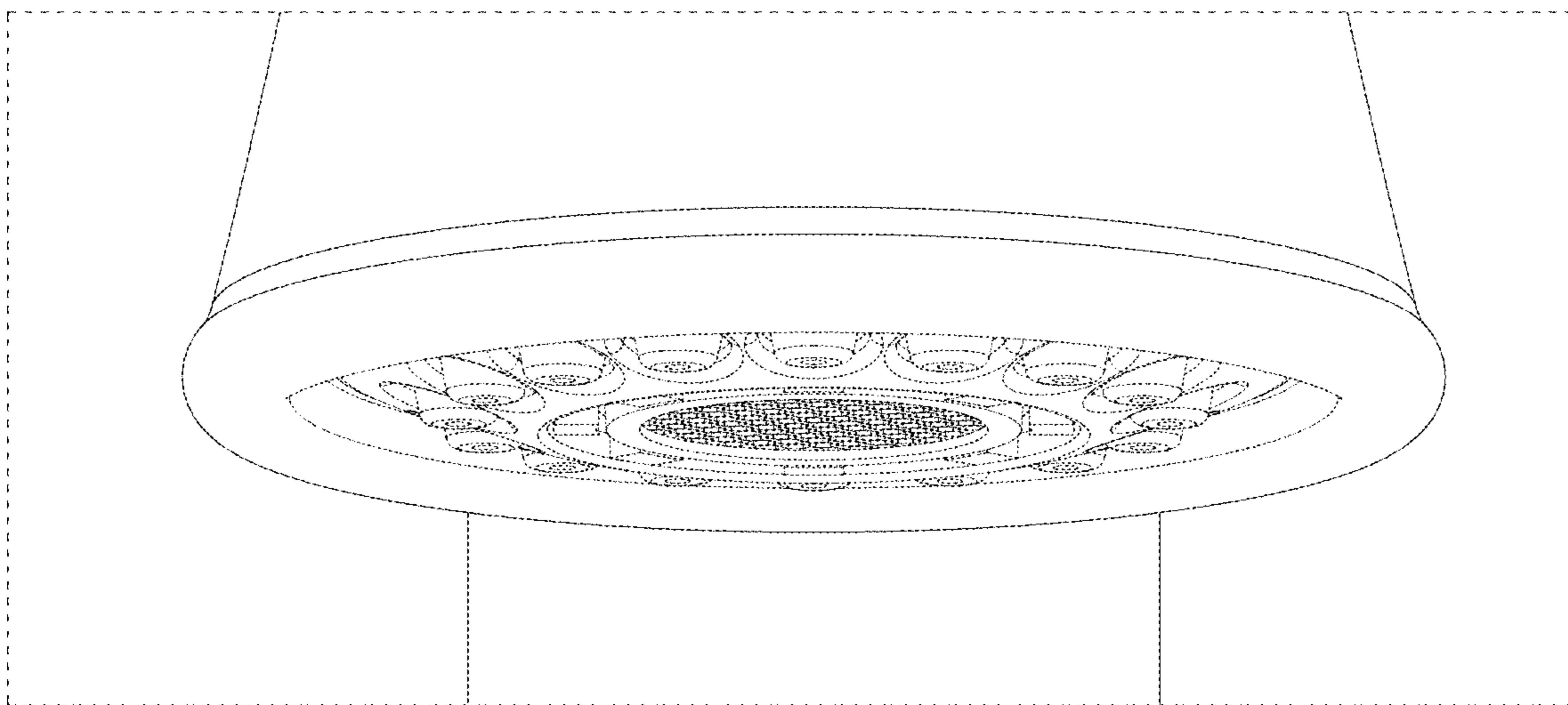


Fig. 4

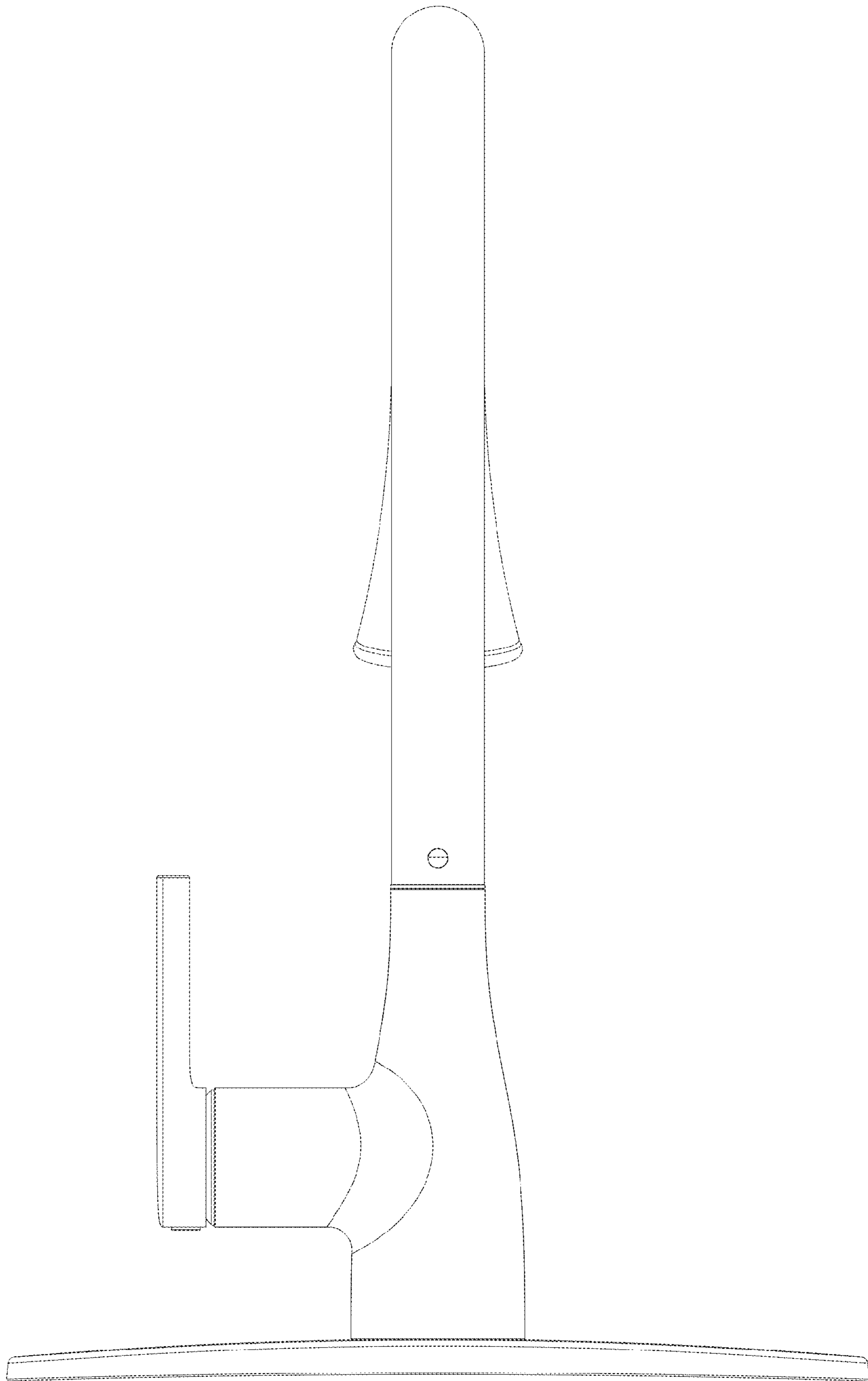


Fig. 5

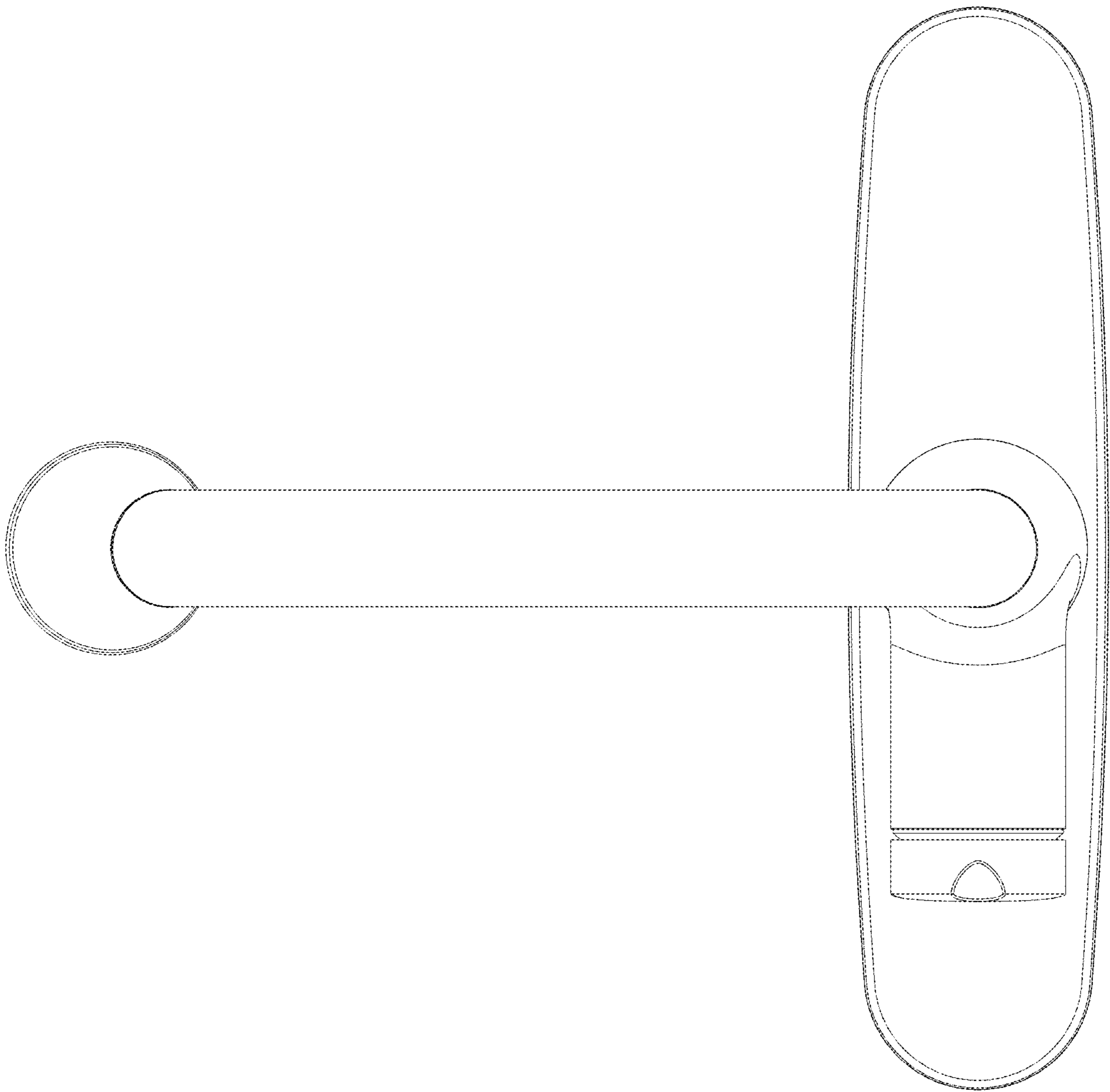


Fig. 6

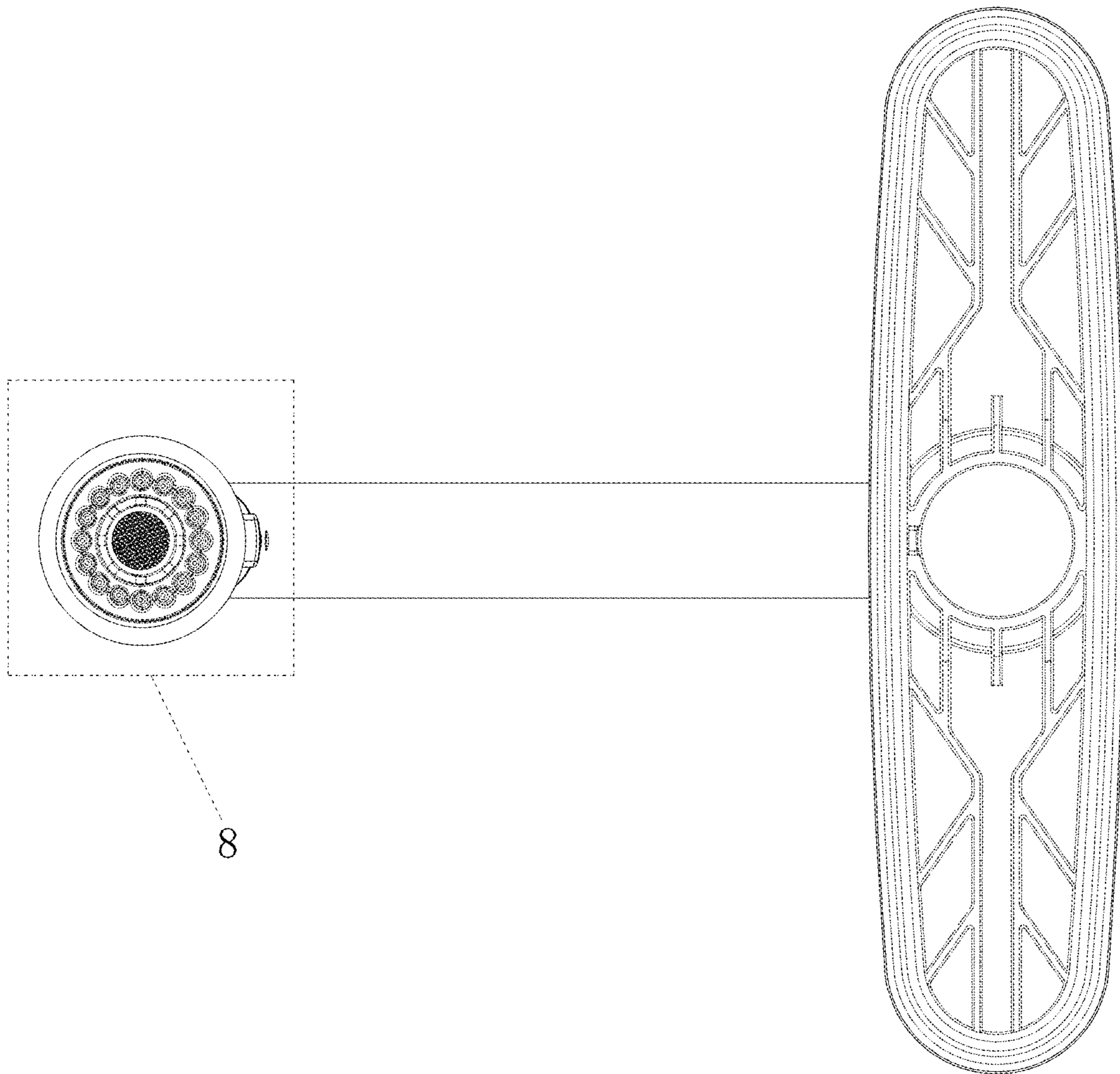


Fig. 7

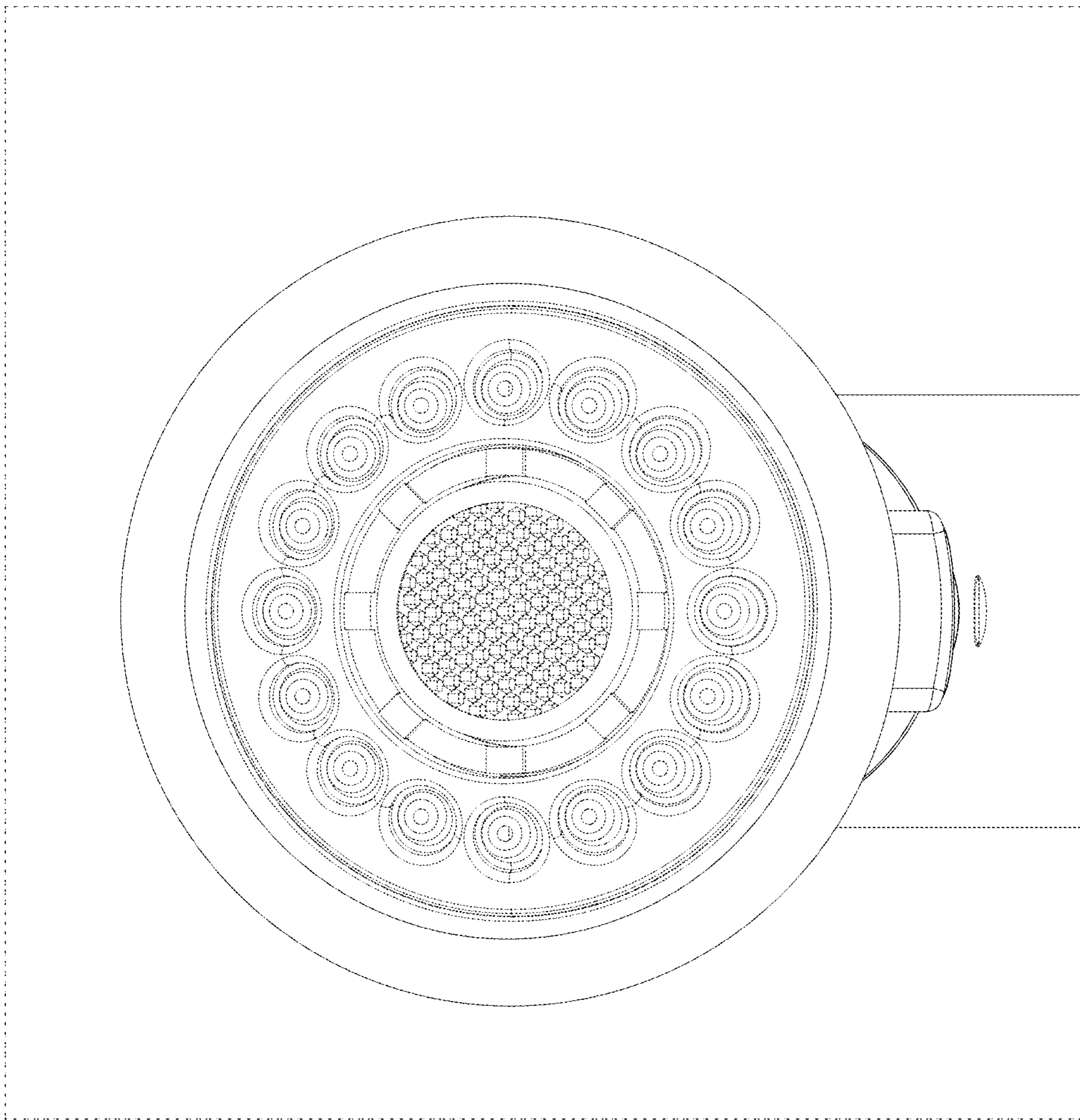


Fig. 8

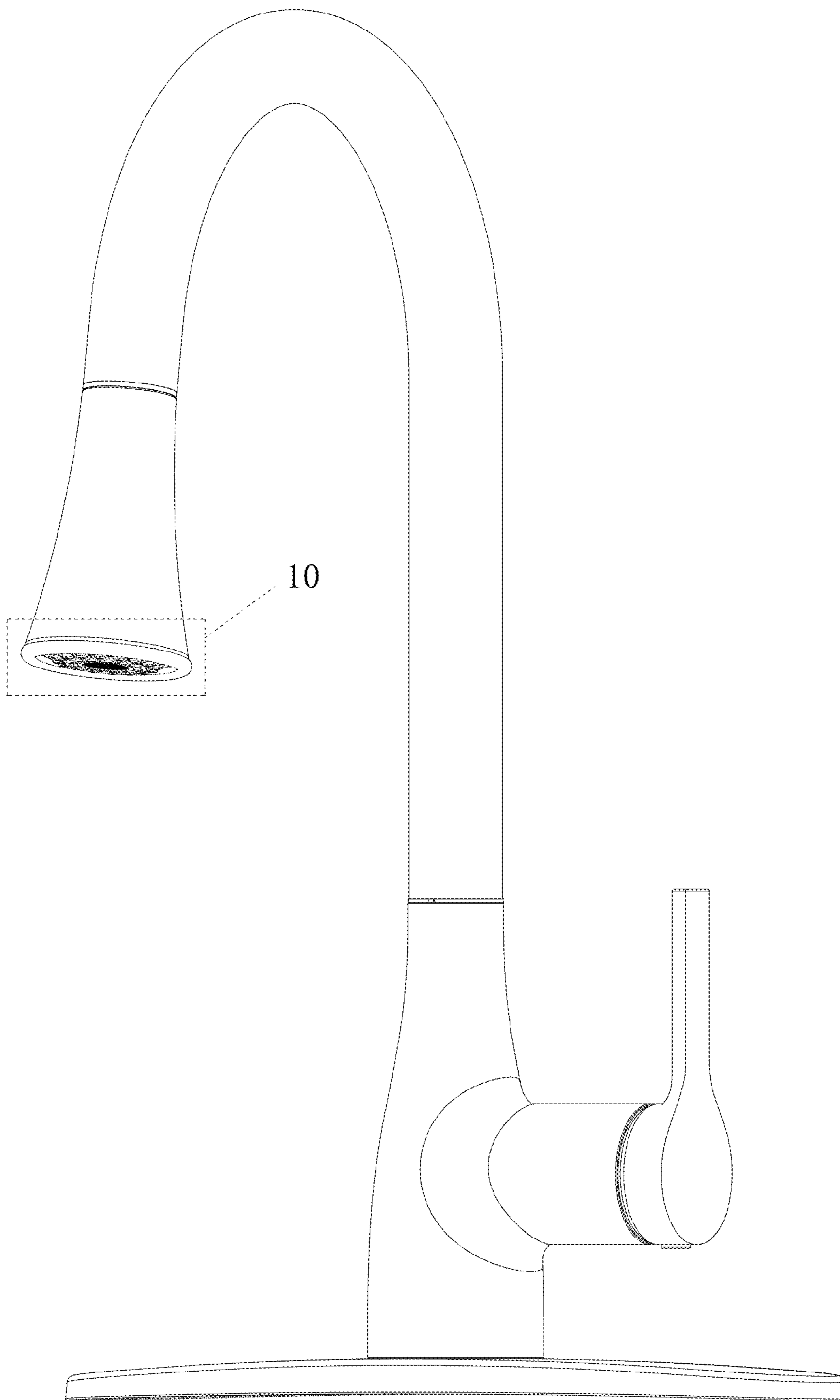


Fig. 9

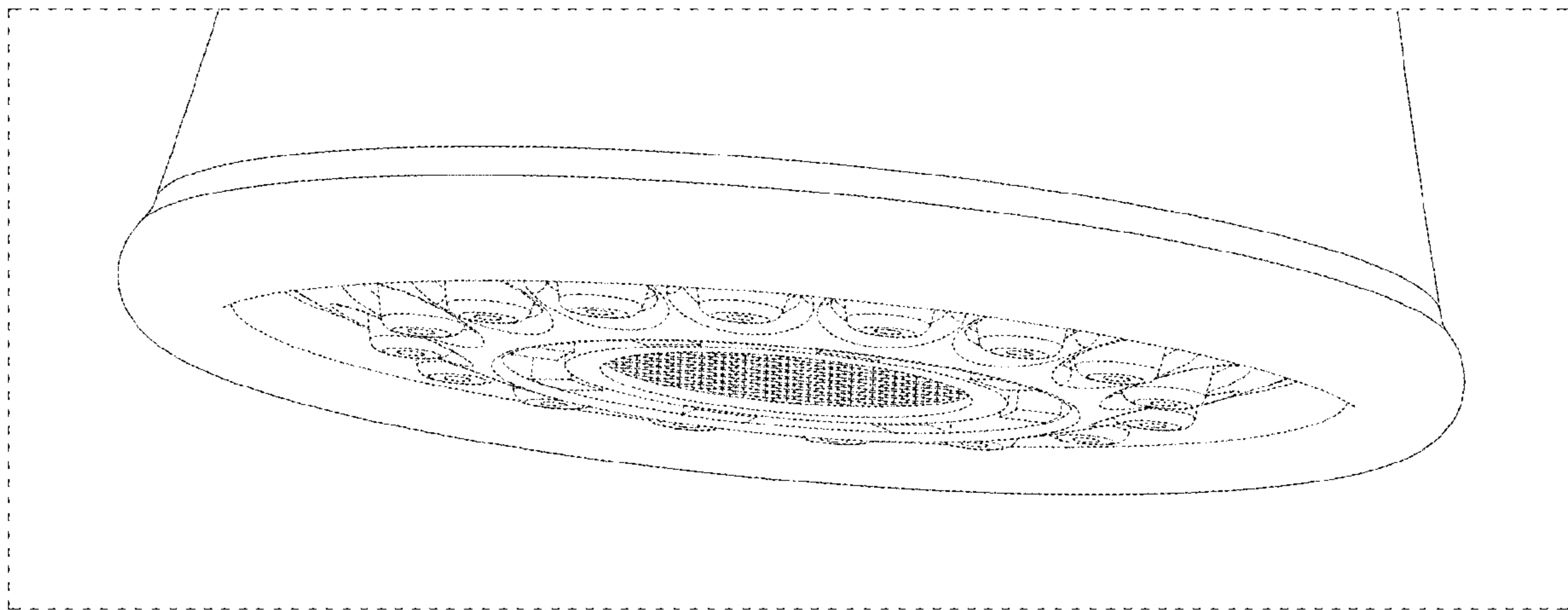


Fig. 10

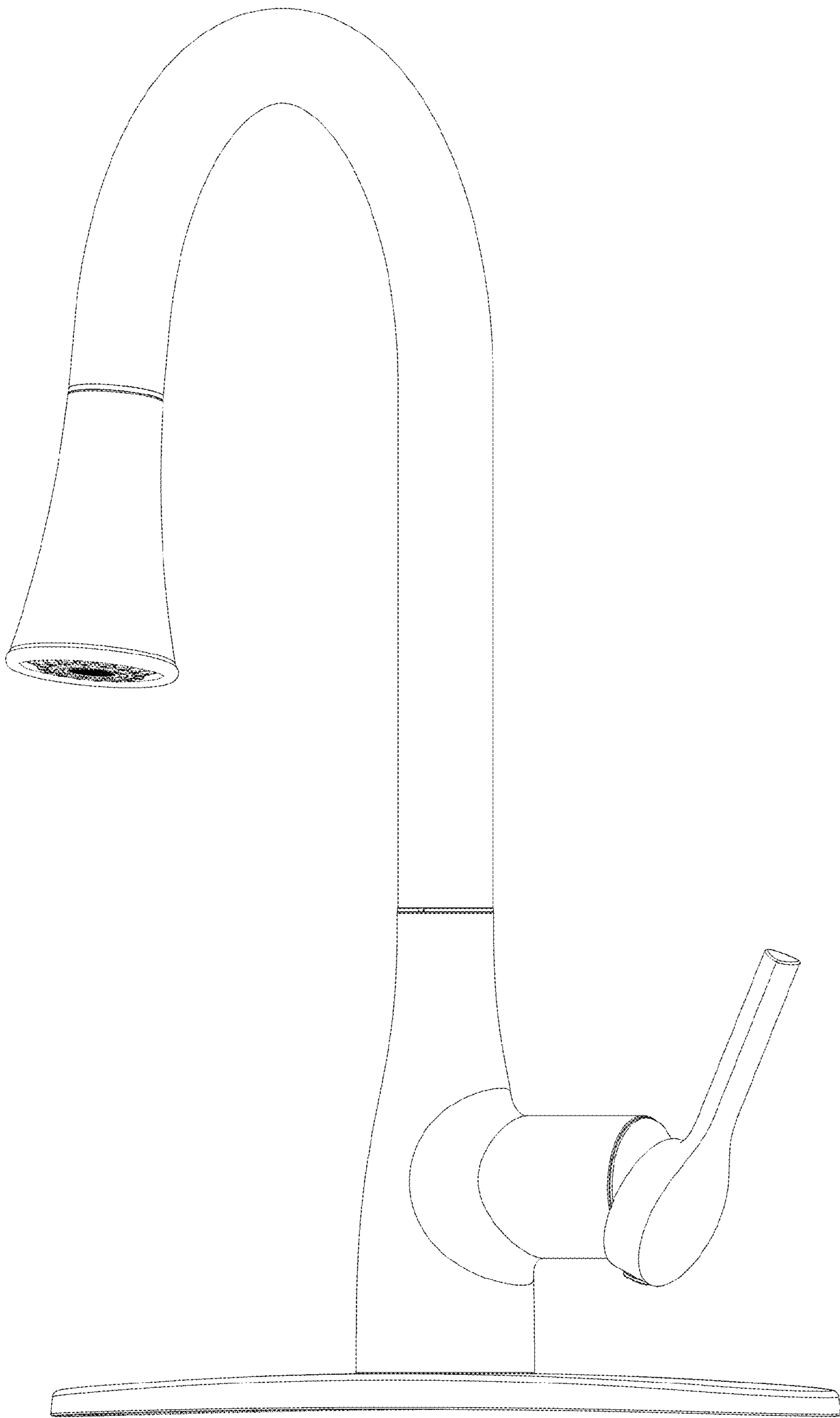


Fig. 11