



US00D925703S

(12) **United States Design Patent** (10) **Patent No.:** **US D925,703 S**
Soulier et al. (45) **Date of Patent:** **** Jul. 20, 2021**

(54) **FAUCET**
(71) Applicant: **Kohler Co.**, Kohler, WI (US)
(72) Inventors: **Jean-Hugues Soulier**, Paris (FR);
Ferran Serra Sola, Paris (FR)
(73) Assignee: **KOHLER CO.**, Kohler, WI (US)
(**) Term: **15 Years**
(21) Appl. No.: **29/658,287**
(22) Filed: **Jul. 30, 2018**

D528,189 S 9/2006 Kulig
D531,702 S 11/2006 Haug et al.
D535,725 S 1/2007 Chu et al.
D536,065 S 1/2007 Wang
D542,384 S 5/2007 Starck
D568,447 S 5/2008 Lai
D571,893 S 6/2008 Celli
D581,026 S 11/2008 Citterio
D584,799 S 1/2009 Zetsche et al.
D597,175 S 7/2009 Kulig
D613,374 S * 4/2010 Lammel D23/238
D615,162 S 5/2010 Pan
D624,988 S * 10/2010 Lammel D23/238

(Continued)

Related U.S. Application Data

(62) Division of application No. 29/641,526, filed on Mar. 22, 2018, now Pat. No. Des. 901,643, which is a division of application No. 29/595,301, filed on Feb. 27, 2017, now Pat. No. Des. 823,441.
(51) **LOC (13) Cl.** **23-01**
(52) **U.S. Cl.**
USPC **D23/238**
(58) **Field of Classification Search**
USPC D23/238-241, 250, 252-254;
D8/307-308
CPC Y10T 137/9464; Y10T 137/6014; Y10T
137/6017
See application file for complete search history.

References Cited

U.S. PATENT DOCUMENTS

D441,059 S 4/2001 Fleischmann
D441,844 S 5/2001 Fleischmann
D441,845 S 5/2001 Fleischmann
D462,421 S 9/2002 Hundley
D466,977 S 12/2002 Cummings
D469,157 S 1/2003 Lobermeier
D479,309 S 9/2003 Haug
D487,586 S 3/2004 Haug et al.
D513,060 S 12/2005 Ouyoung

OTHER PUBLICATIONS

NPL_Allmodern_Single_Handle; 6 pgs.
NPL_Allmodern_Single_Handle_Bathroom; 6pgs.

Primary Examiner — Robert A Delehanty
(74) *Attorney, Agent, or Firm* — Foley & Lardner LLP

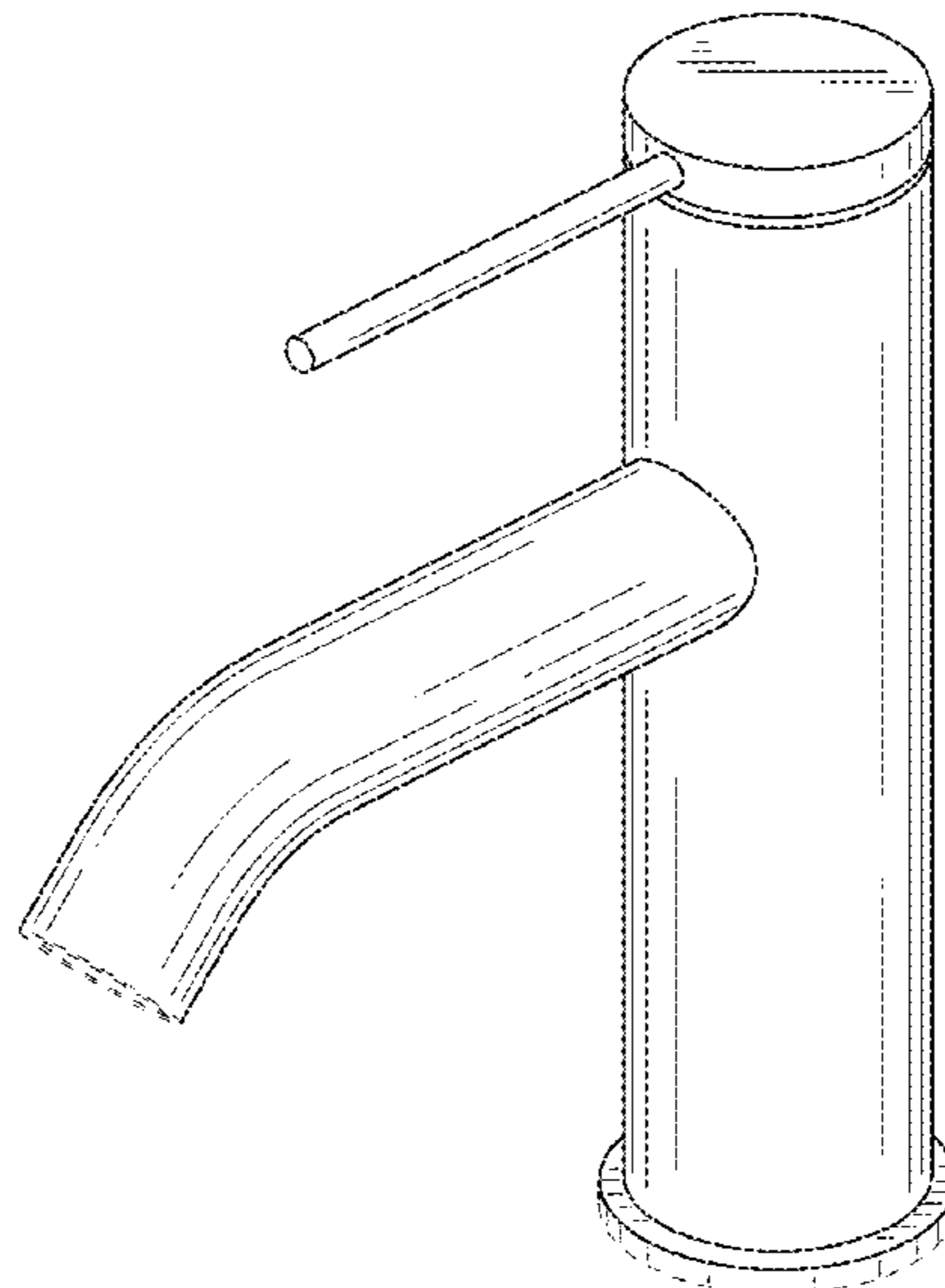
(57) **CLAIM**

We claim the ornamental design for a faucet, as shown and described.

DESCRIPTION

FIG. 1 is a top, front, right perspective view of an embodiment of the claimed design;
FIG. 2 is a right side elevation view thereof;
FIG. 3 is a left side elevation view thereof;
FIG. 4 is a front elevation view thereof;
FIG. 5 is a rear elevation view thereof;
FIG. 6 is a top plan view thereof; and,
FIG. 7 is a bottom plan view thereof.
The ornamental design which is claimed is shown in solid lines in the drawings. The broken lines in the drawings are for illustrative purposes only and form no part of the claimed design. Broken lines formed by equal length dashes show unclaimed subject matter.

1 Claim, 4 Drawing Sheets



(56)

References Cited

U.S. PATENT DOCUMENTS

D624,991 S	10/2010	Kulig	
D627,861 S	11/2010	Sandee	
D636,061 S	4/2011	Kulig	
D636,062 S	4/2011	Rubin et al.	
D666,276 S	8/2012	Fritz	
D673,652 S	1/2013	Thomas	
D676,531 S	2/2013	Vibe-Petersen	
D697,589 S	1/2014	Georgeson	
D698,420 S	1/2014	Hahn et al.	
D713,008 S	9/2014	Citterio	
D724,698 S	3/2015	Kulig	
D726,883 S	4/2015	Flowers et al.	
D735,297 S	7/2015	Sieger	
D750,203 S	2/2016	Flowers	
D754,295 S	4/2016	Lord	
D755,350 S	5/2016	Rexach	
D758,545 S	6/2016	Yabu	
D767,724 S	9/2016	Flowers	
D771,224 S	11/2016	Flowers et al.	
D787,020 S	5/2017	Ziemann	
D793,534 S	8/2017	Fritz	
D803,989 S	11/2017	Flowers	
D807,476 S	1/2018	Haug	
D811,532 S	2/2018	Schoenherr et al.	
D811,552 S	2/2018	Fritz	
D813,988 S	3/2018	Schoenherr et al.	
D823,989 S *	7/2018	Soulier	D23/238
D828,908 S *	9/2018	Merki	D23/238

* cited by examiner

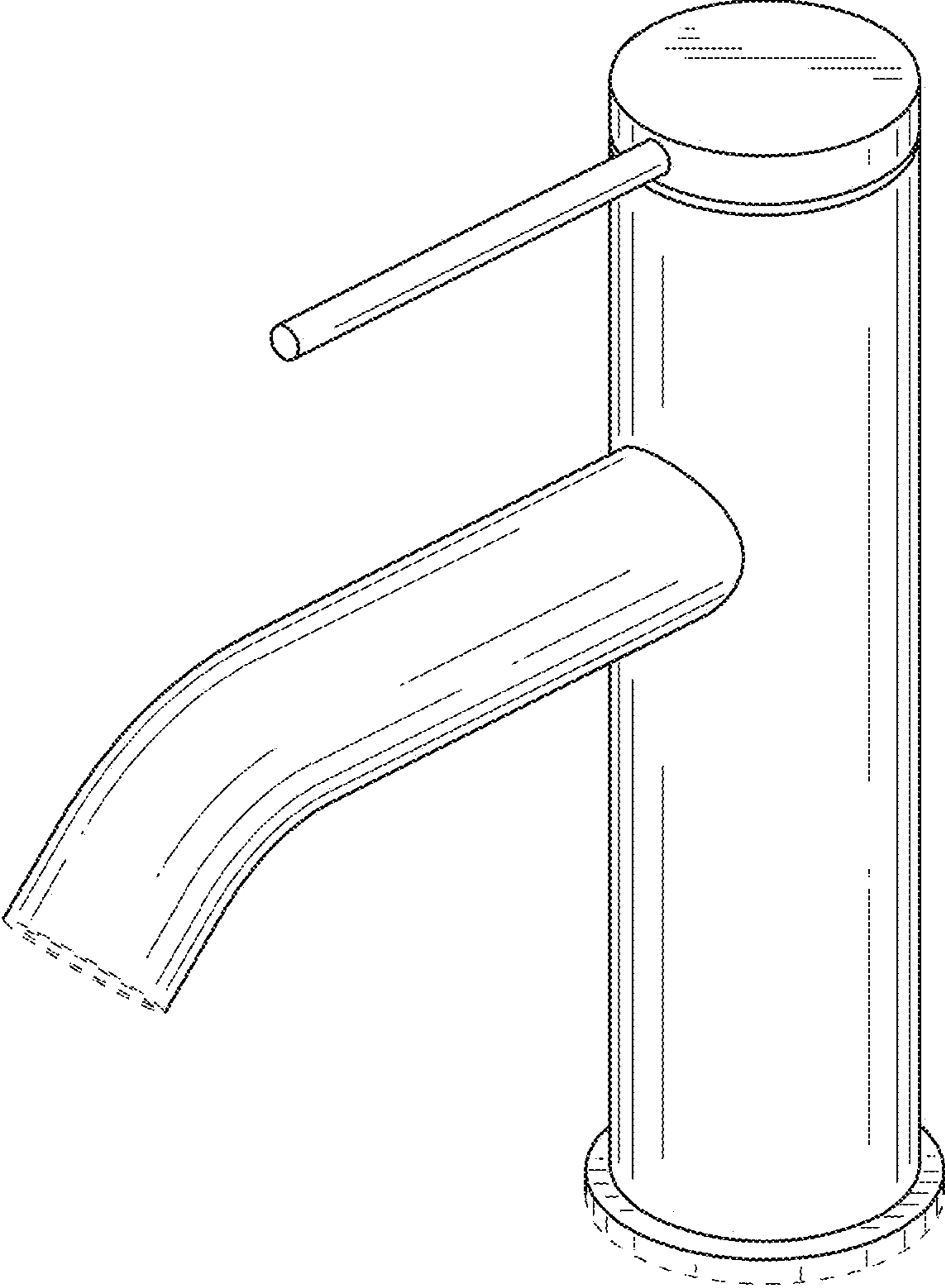


FIG. 1

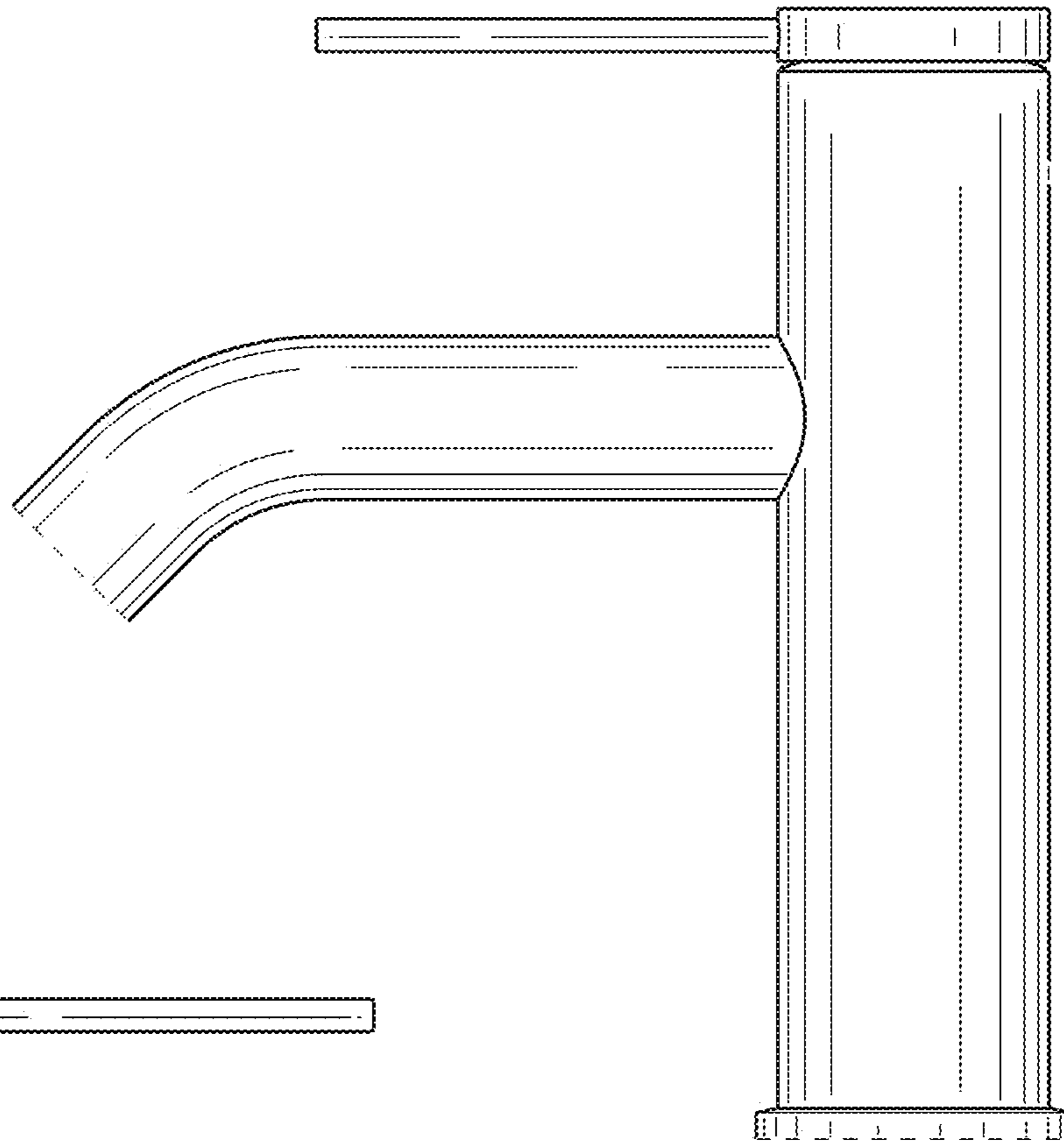


FIG. 2

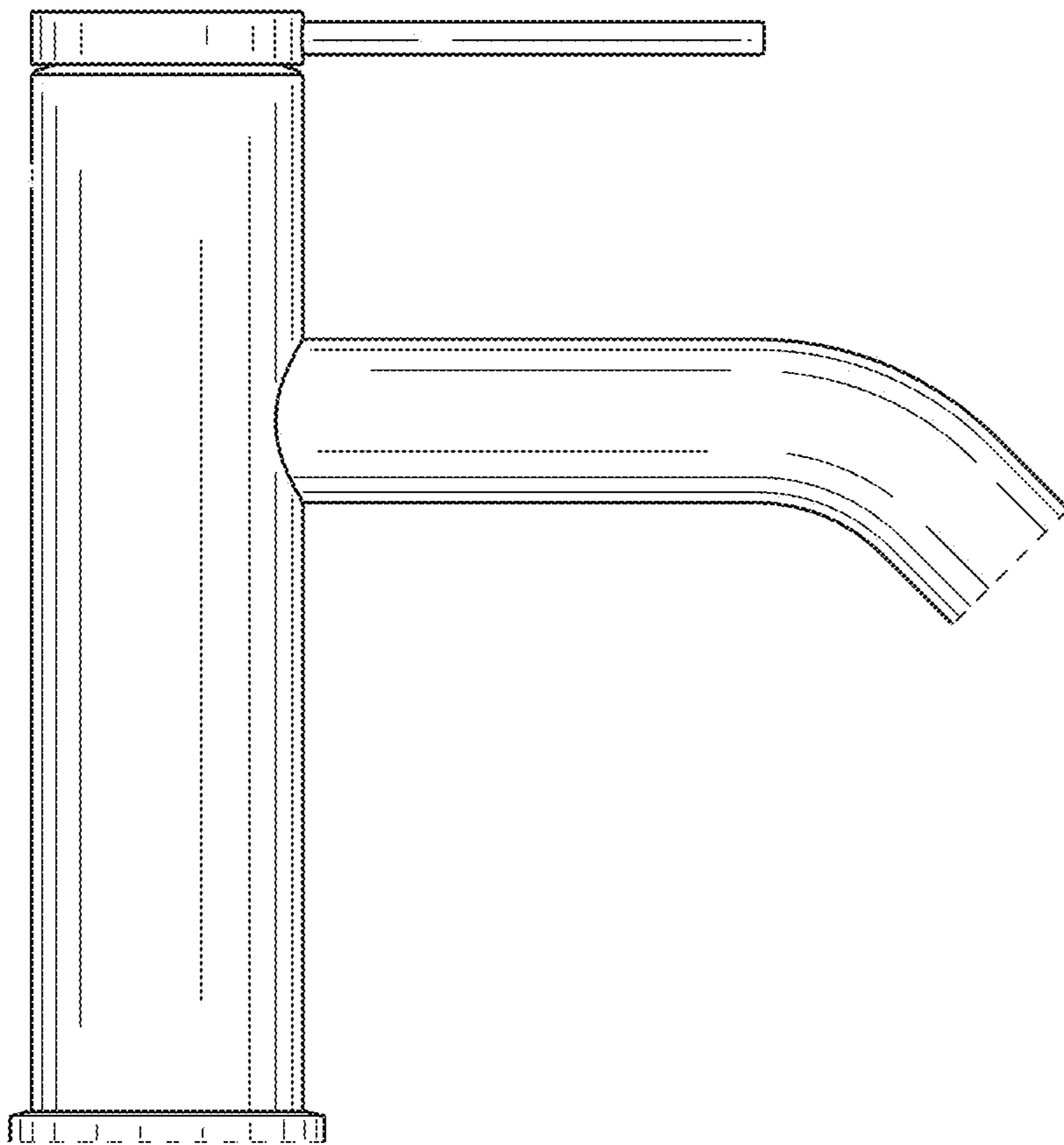


FIG. 3

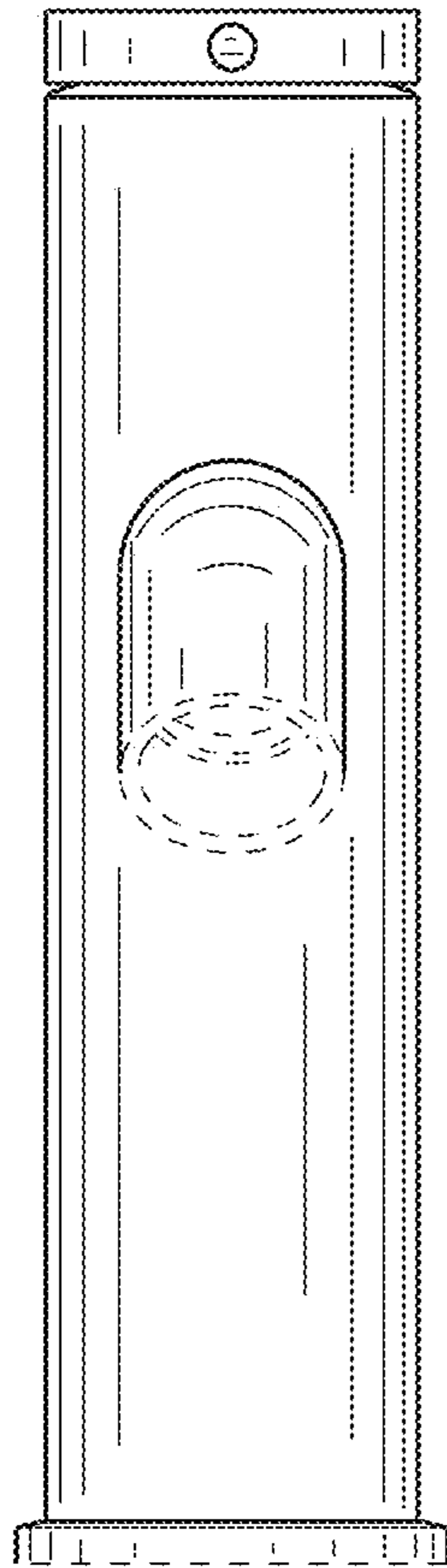


FIG. 4

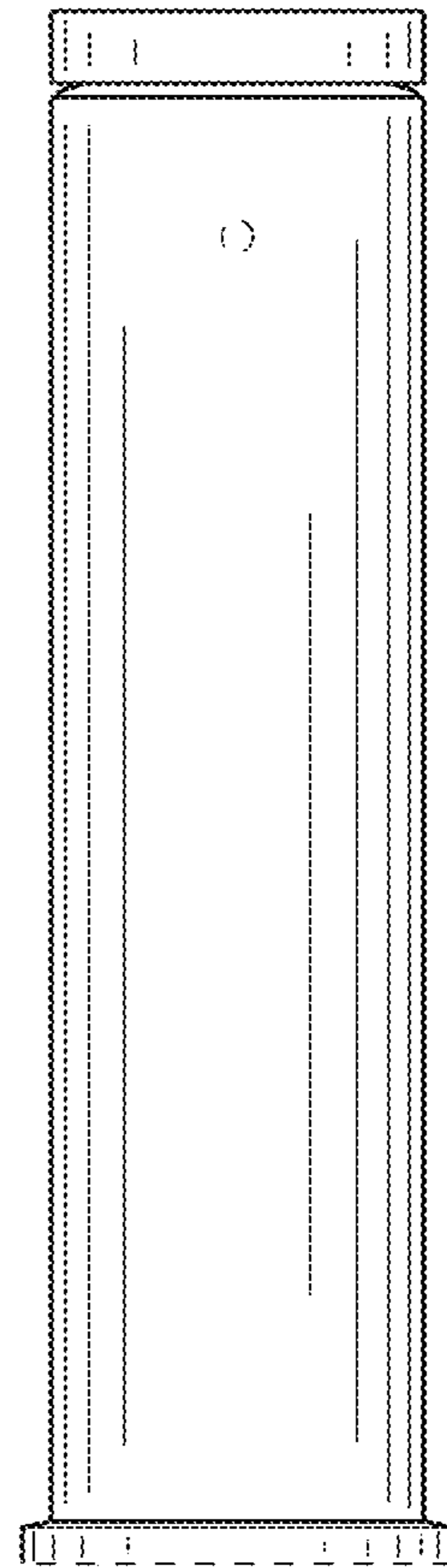


FIG. 5

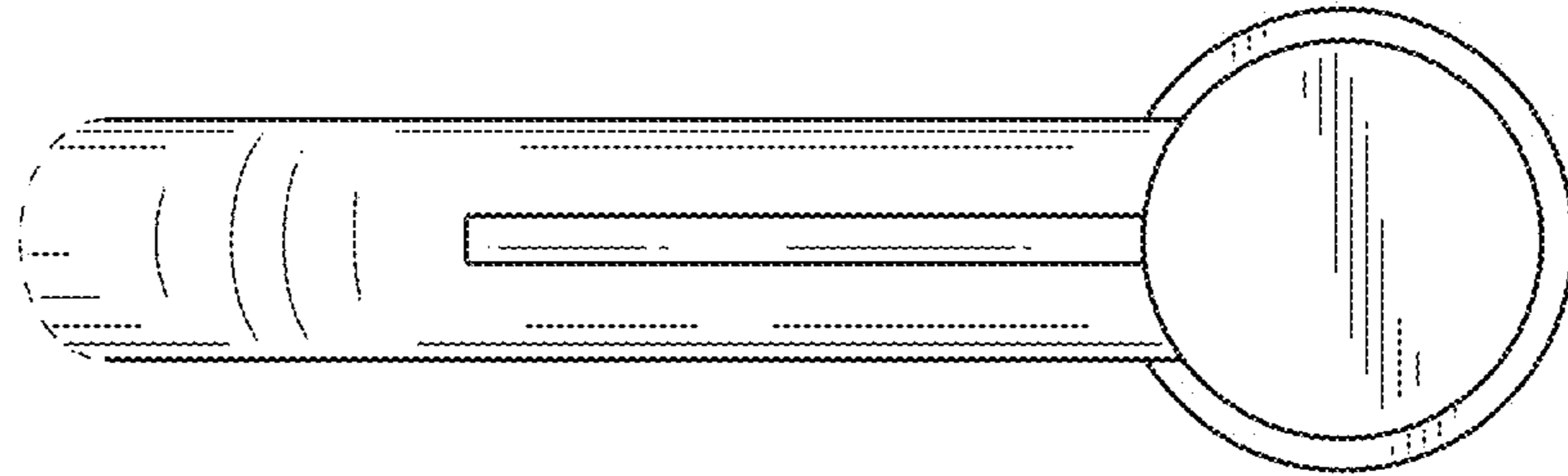


FIG. 6

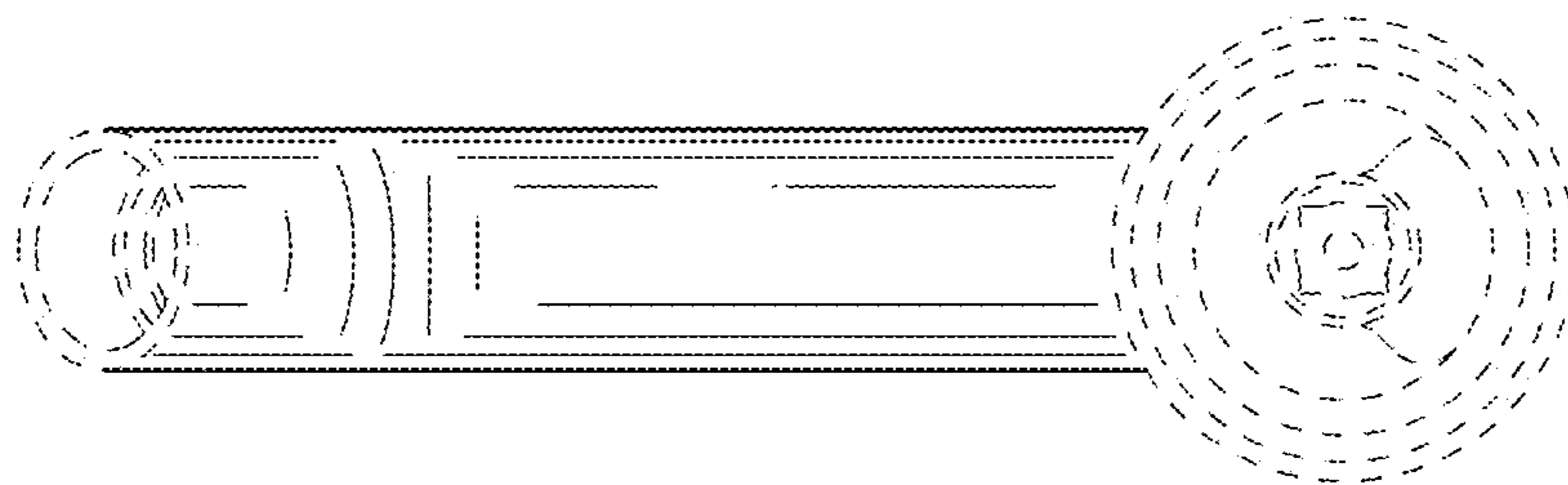


FIG. 7