



US00D925702S

(12) **United States Design Patent** (10) **Patent No.:** **US D925,702 S**
Bian (45) **Date of Patent:** **** Jul. 20, 2021**

(54) **SANITARY OUTLET VALVE**

D576,704 S 9/2008 Gilcher
D594,530 S 6/2009 Bonnell
D599,434 S 9/2009 Stenberg

(71) Applicant: **Neoperl GmbH**, Mullheim (DE)

(Continued)

(72) Inventor: **Yichao Bian**, Monheim am Rhein (DE)

Primary Examiner — Richard E Chilcot

(73) Assignee: **Neoperl GmbH**, Müllheim (DE)

(74) *Attorney, Agent, or Firm* — Volpe Koenig

(**) Term: **15 Years**

(57) **CLAIM**

(21) Appl. No.: **29/757,727**

The ornamental design for a sanitary outlet valve, as shown and described.

(22) Filed: **Nov. 9, 2020**

DESCRIPTION

Related U.S. Application Data

(60) Division of application No. 29/657,256, filed on Jul. 20, 2018, now Pat. No. Des. 904,567, which is a continuation-in-part of application No. 35/501,892, filed on Oct. 31, 2016 (U.S. filing date under 35 U.S.C. 384), and having an international filing date of Oct. 31, 2016, now Pat. No. Des. 826,381.

(51) **LOC (13) Cl.** **23-01**

(52) **U.S. Cl.**

USPC **D23/233**

CPC **F16K 1/00** (2013.01)

(58) **Field of Classification Search**

USPC D23/233–269; D15/5, 7;
137/15.04–15.08, 7, 515, 843, 859, 332,
137/529

CPC . F16K 1/00; F16K 15/00; F16K 15/18; F16K
15/026; F16K 15/044

See application file for complete search history.

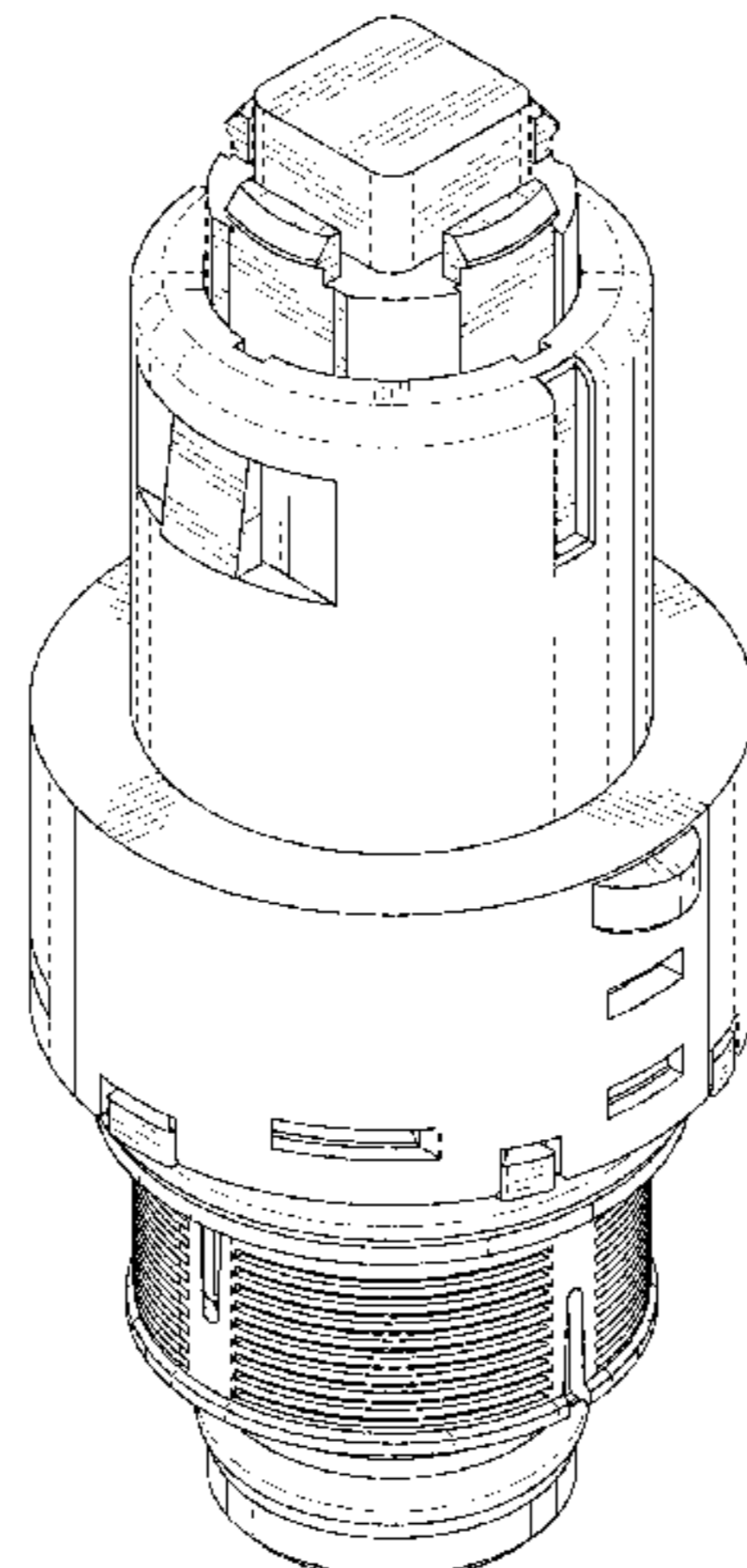
(56) **References Cited**

U.S. PATENT DOCUMENTS

D234,359 S 2/1975 Holben et al.
D262,969 S 2/1982 Howes
D295,674 S 5/1988 Ogasawara
D309,653 S 7/1990 Kendrick
D370,963 S 6/1996 Daansen

FIG. 1 is a top plan view of a first embodiment of a sanitary outlet valve in accordance with my design;
FIG. 2 is a top, front, left perspective view thereof;
FIG. 3 is a bottom plan view thereof;
FIG. 4 is a bottom, front, left perspective view thereof;
FIG. 5 is a front elevational view thereof;
FIG. 6 is a right side elevational view thereof;
FIG. 7 is a rear elevational view thereof; and
FIG. 8 is a left side elevational view thereof;
FIG. 9 is a top plan view of a second embodiment of a sanitary outlet valve in accordance with my design;
FIG. 10 is a top, front, left perspective view thereof;
FIG. 11 is a bottom plan view thereof;
FIG. 12 is a bottom, front, left perspective view thereof;
FIG. 13 is a front elevational view thereof;
FIG. 14 is a right side elevational view thereof;
FIG. 15 is a rear elevational view thereof; and
FIG. 16 is a left side elevational view thereof;
FIG. 17 is a top plan view of a third embodiment of a sanitary outlet valve in accordance with my design;
FIG. 18 is a top, front, left perspective view thereof;
FIG. 19 is a bottom plan view thereof;
FIG. 20 is a bottom, front, left perspective view thereof;
FIG. 21 is a front elevational view thereof;
FIG. 22 is a right side elevational view thereof;
FIG. 23 is a rear elevational view thereof; and
FIG. 24 is a left side elevational view thereof.

(Continued)



The broken lines shown in the figures represent portions of the sanitary outlet valve that form no part of the claimed design.

1 Claim, 24 Drawing Sheets

(56) **References Cited**

U.S. PATENT DOCUMENTS

D602,564 S	10/2009	Nimberger	
D606,167 S	12/2009	Nimberger	
D647,596 S	10/2011	Bonnell	
D692,534 S	10/2013	Fangmeier	
D707,795 S	6/2014	Huang	
D721,789 S	1/2015	Lu	
D725,747 S	3/2015	Alexander et al.	
D728,072 S	4/2015	Alexander et al.	
D739,919 S	9/2015	Alexander et al.	
9,353,742 B2	5/2016	Herman et al.	
9,611,980 B2	4/2017	Herman et al.	
D826,381 S *	8/2018	Bian	F16K 1/00 D23/233
D849,890 S	5/2019	Tempel	

* cited by examiner

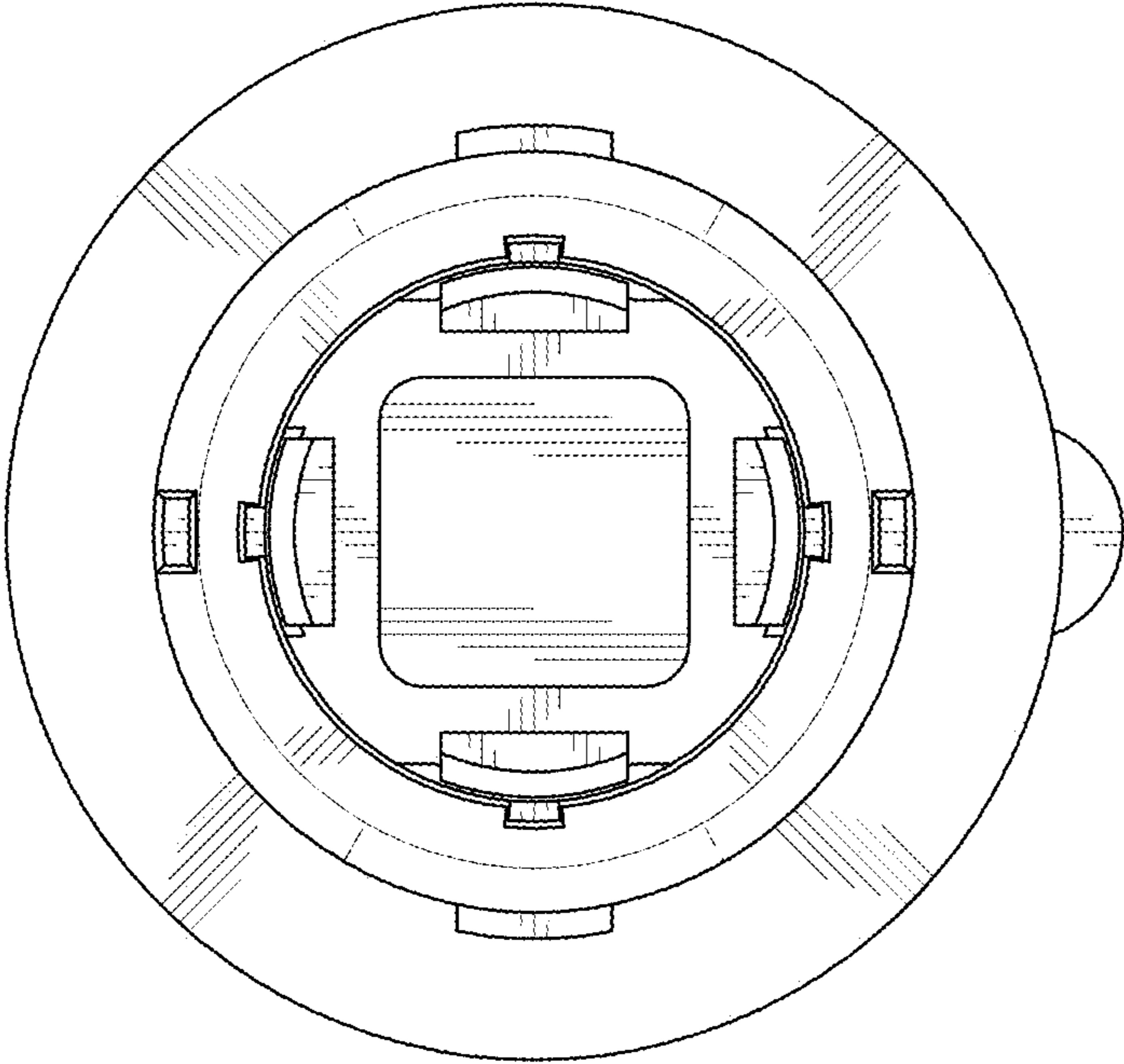


Fig. 1

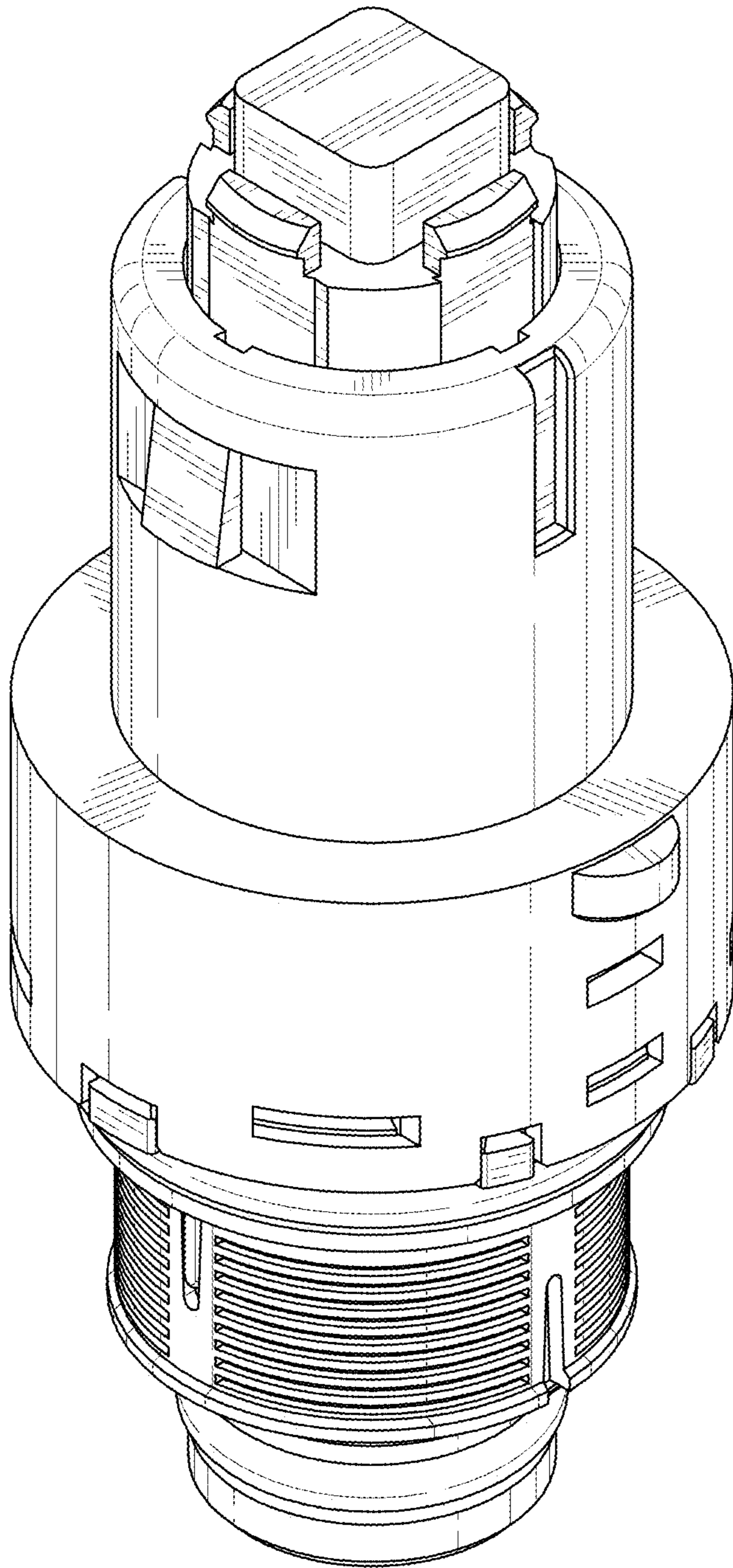


Fig. 2

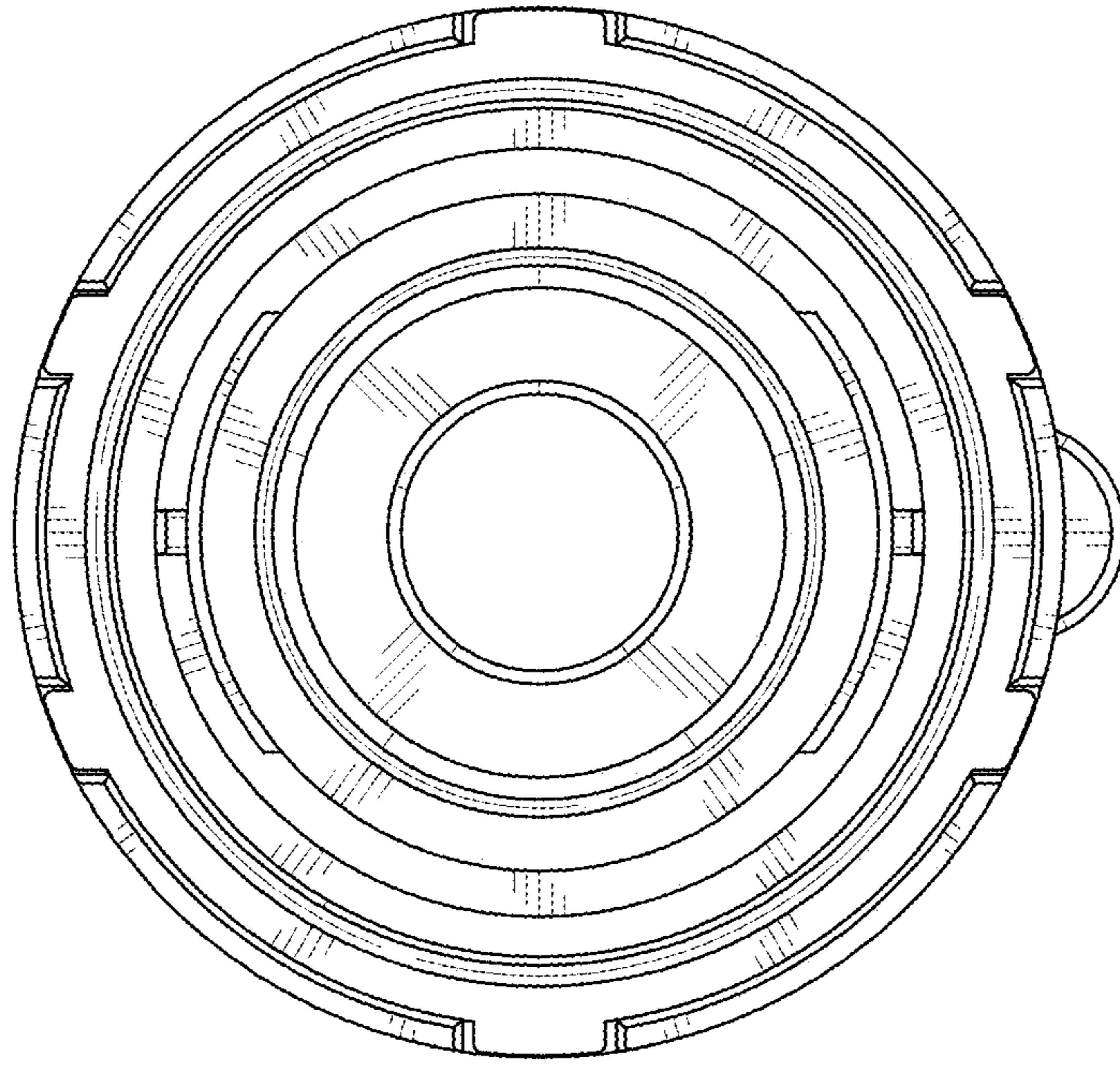


Fig. 3

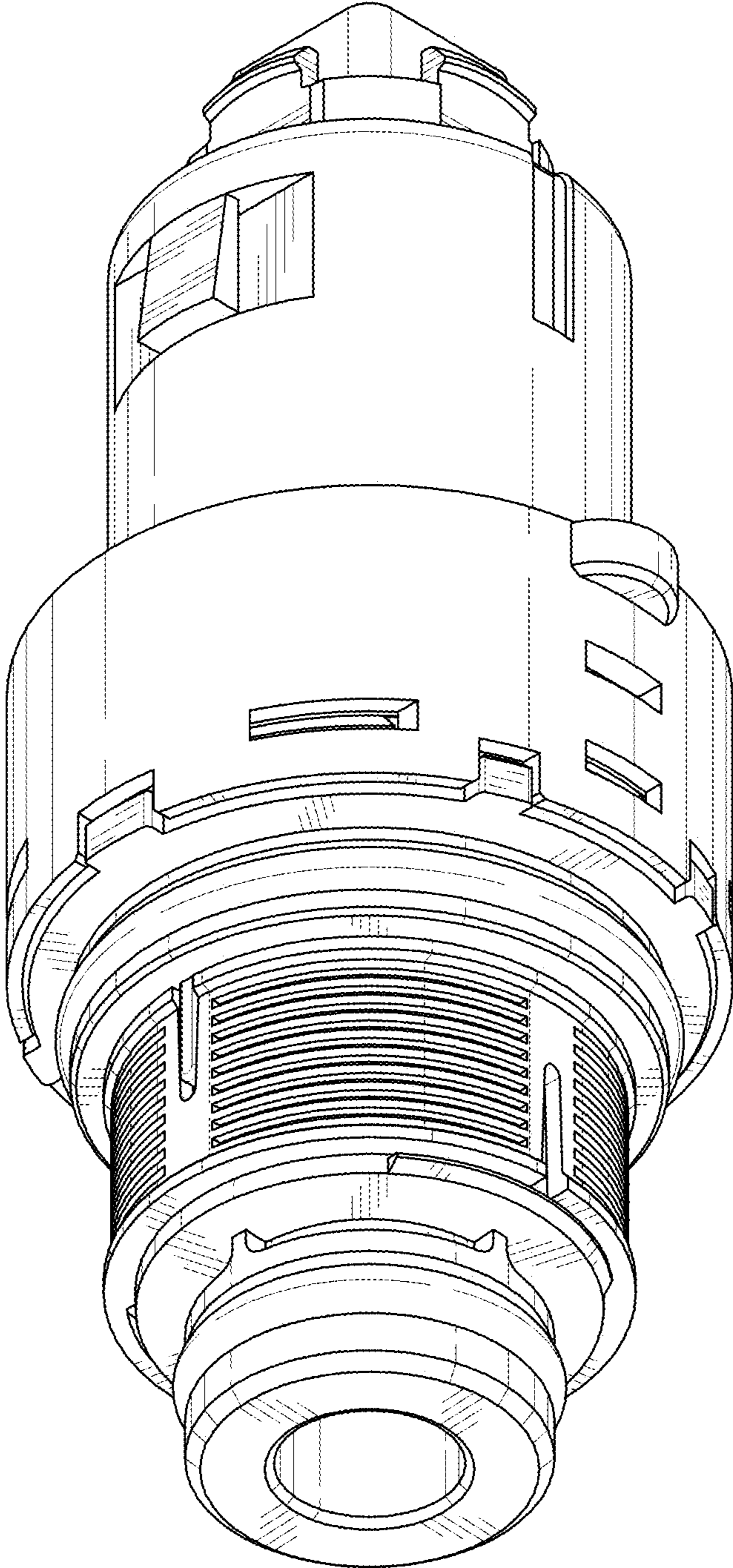


Fig. 4

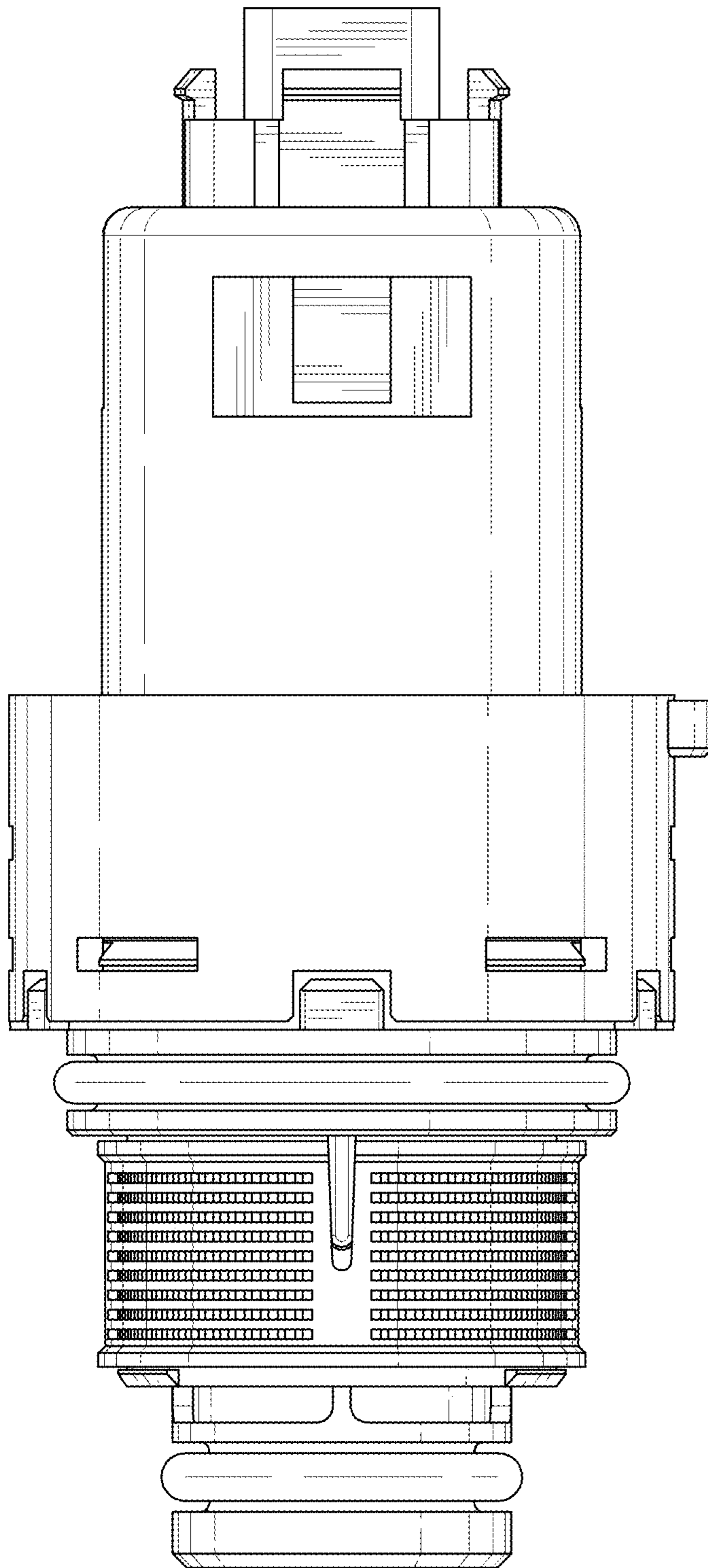


Fig. 5

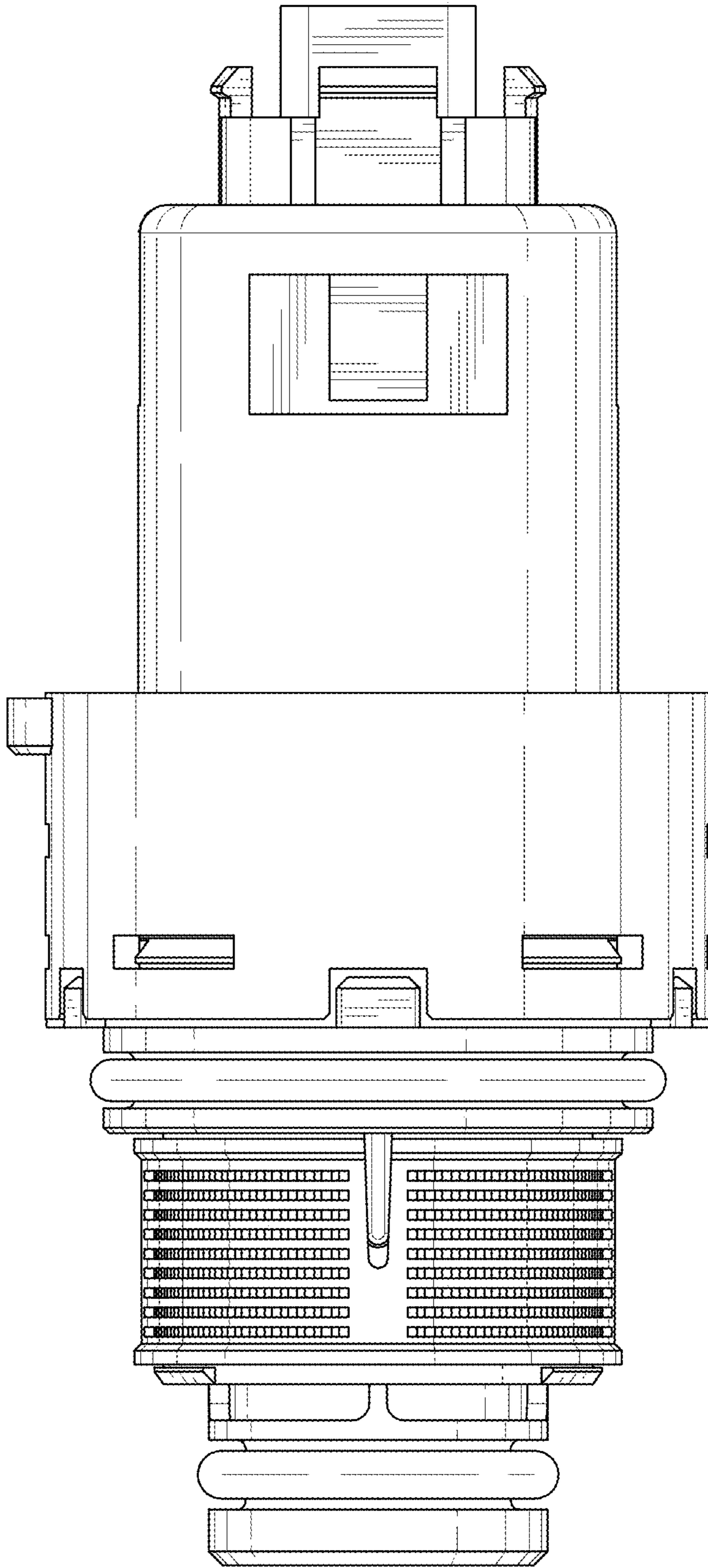


Fig. 6

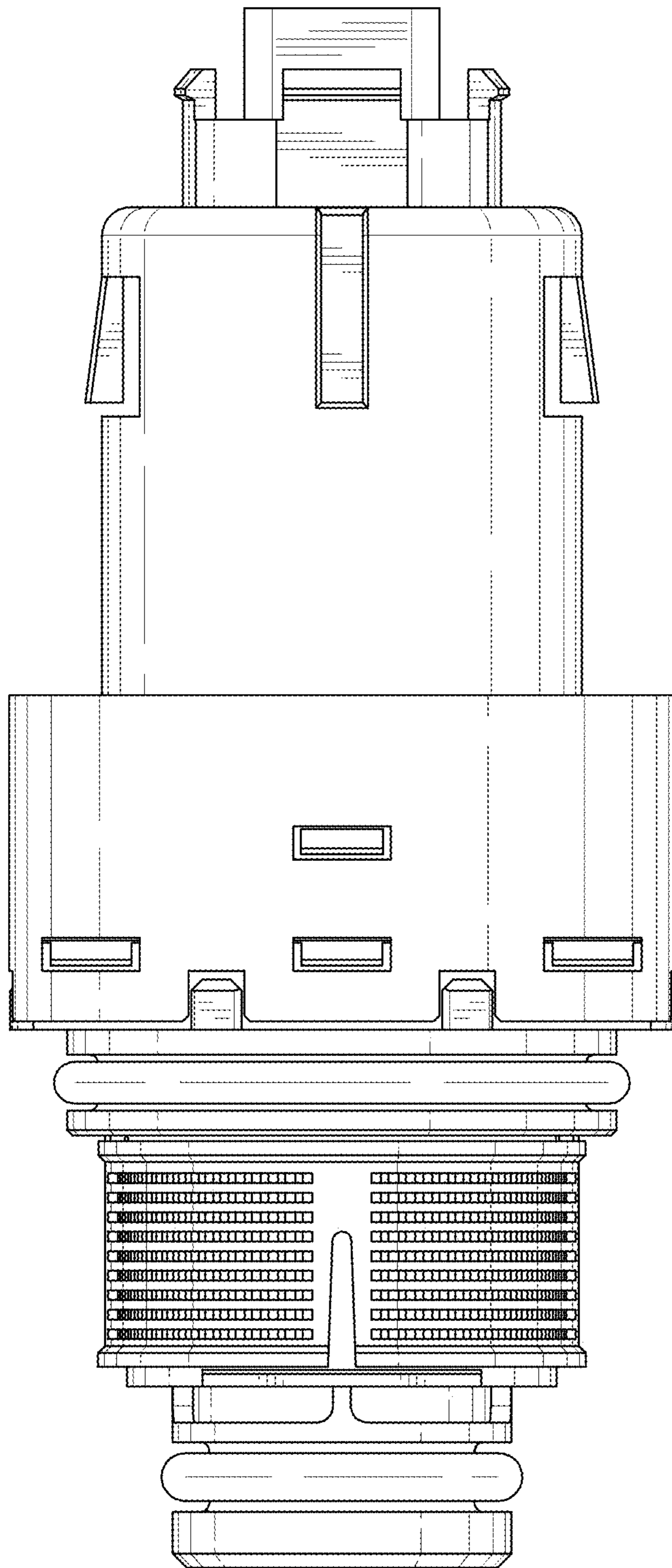


Fig. 7

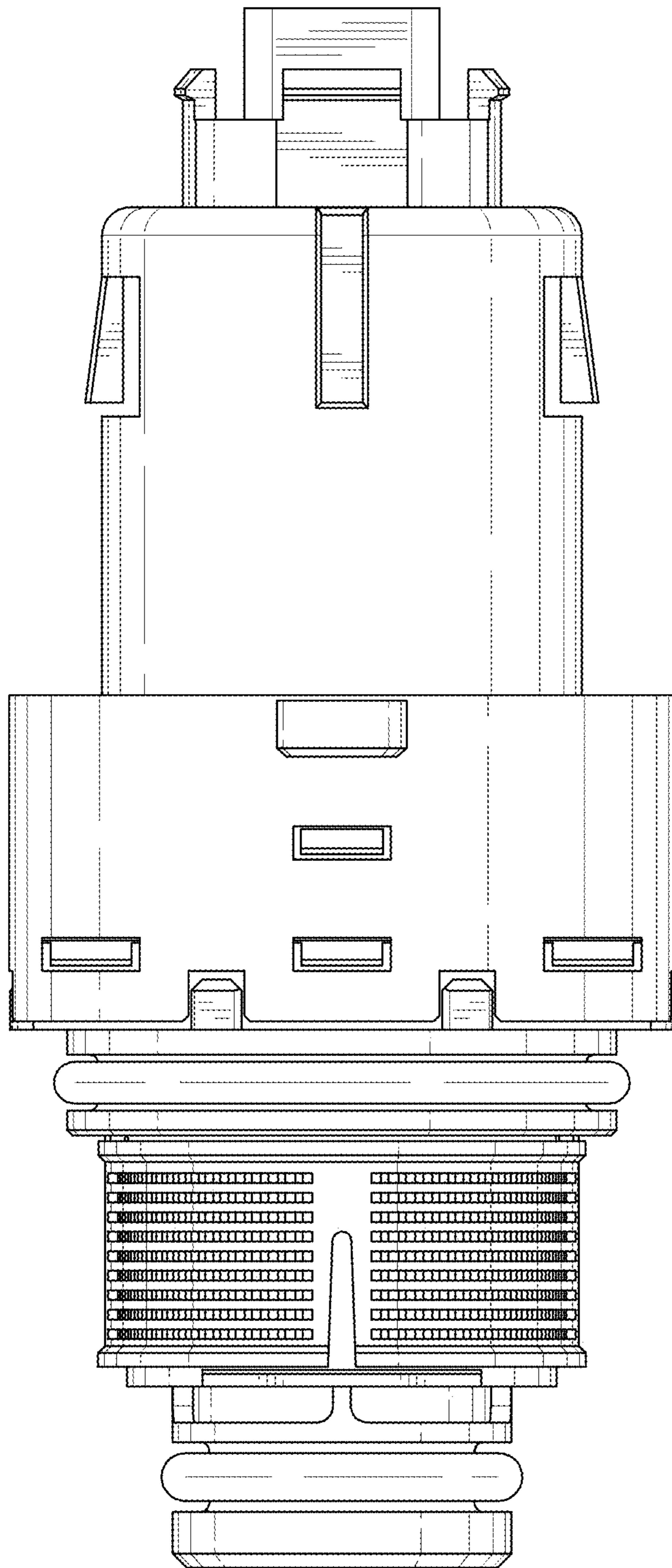


Fig. 8

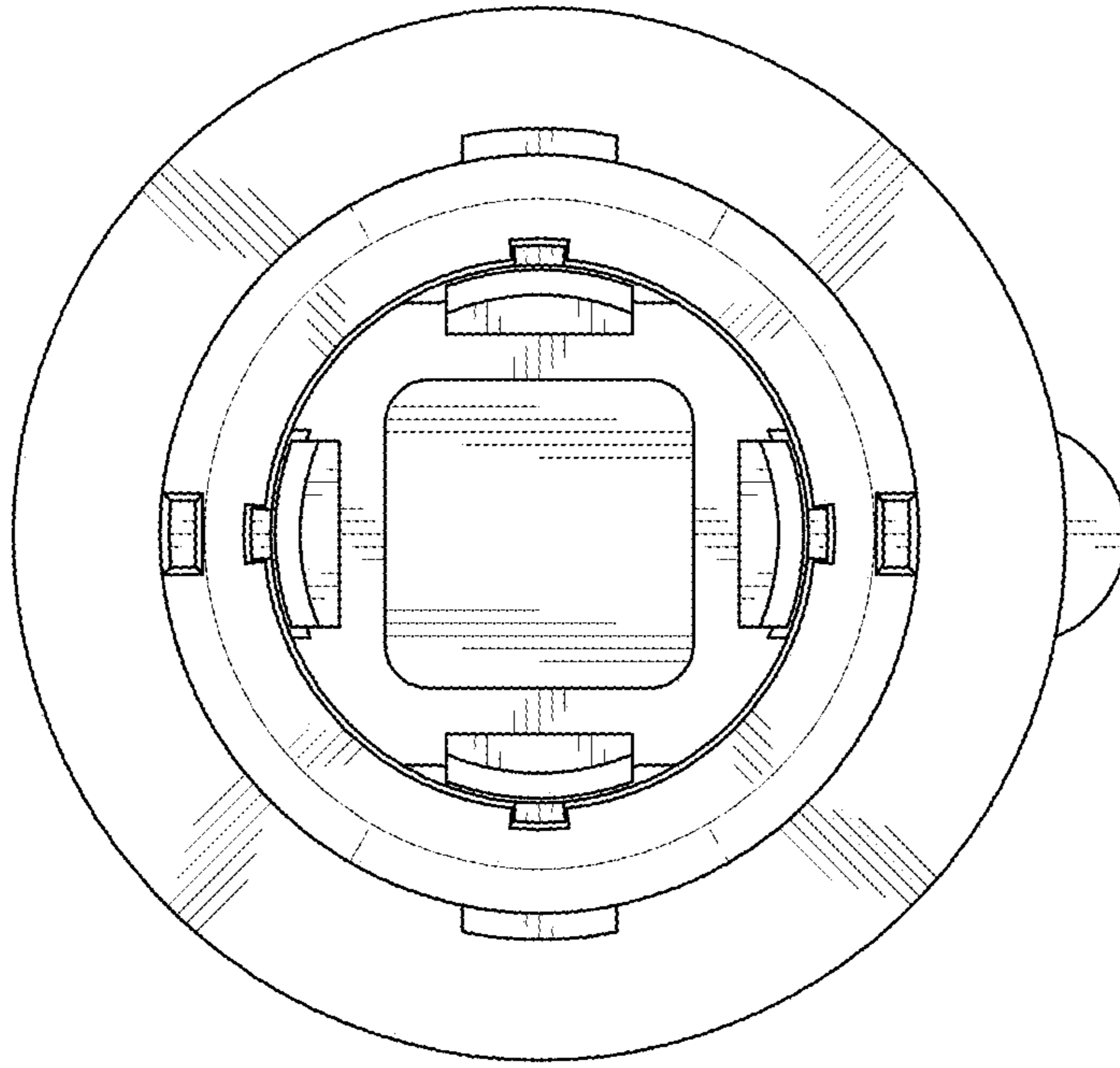


Fig. 9

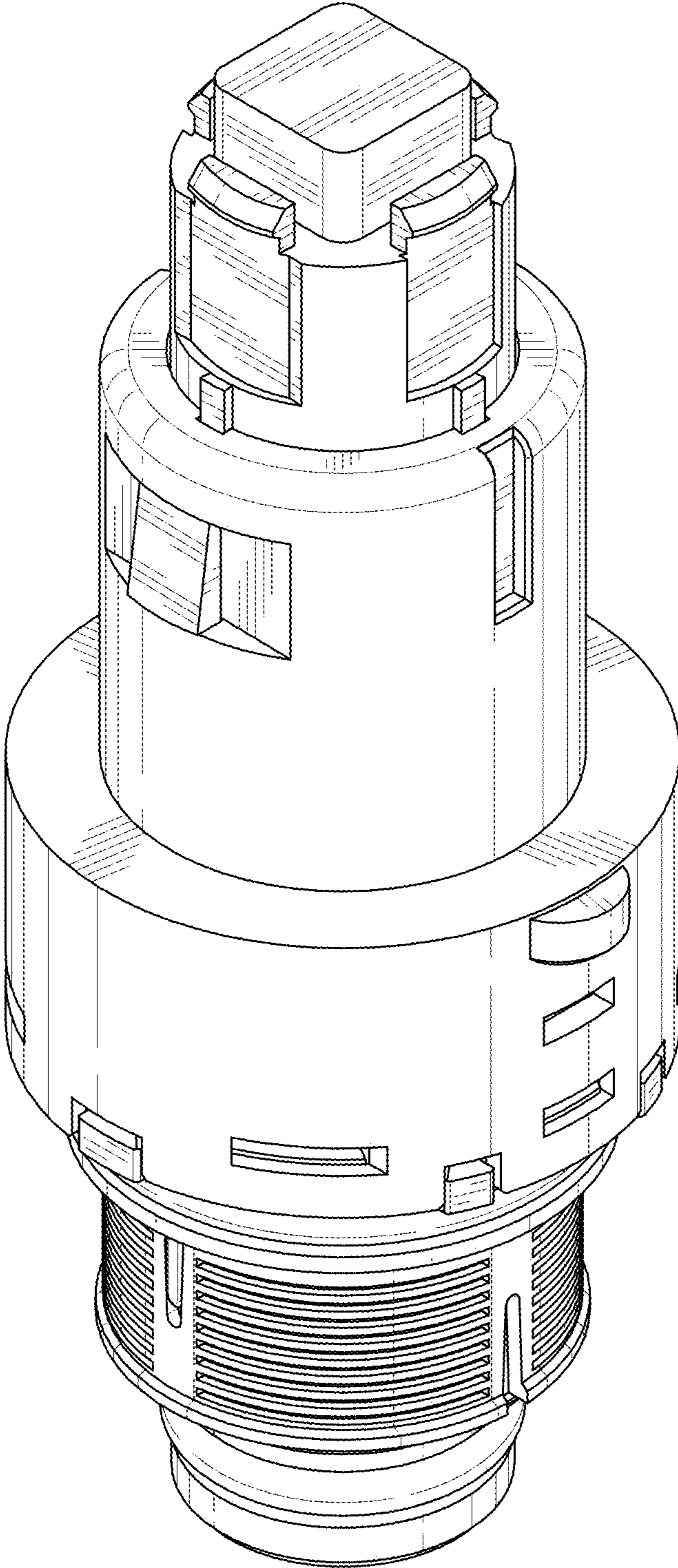


Fig. 10

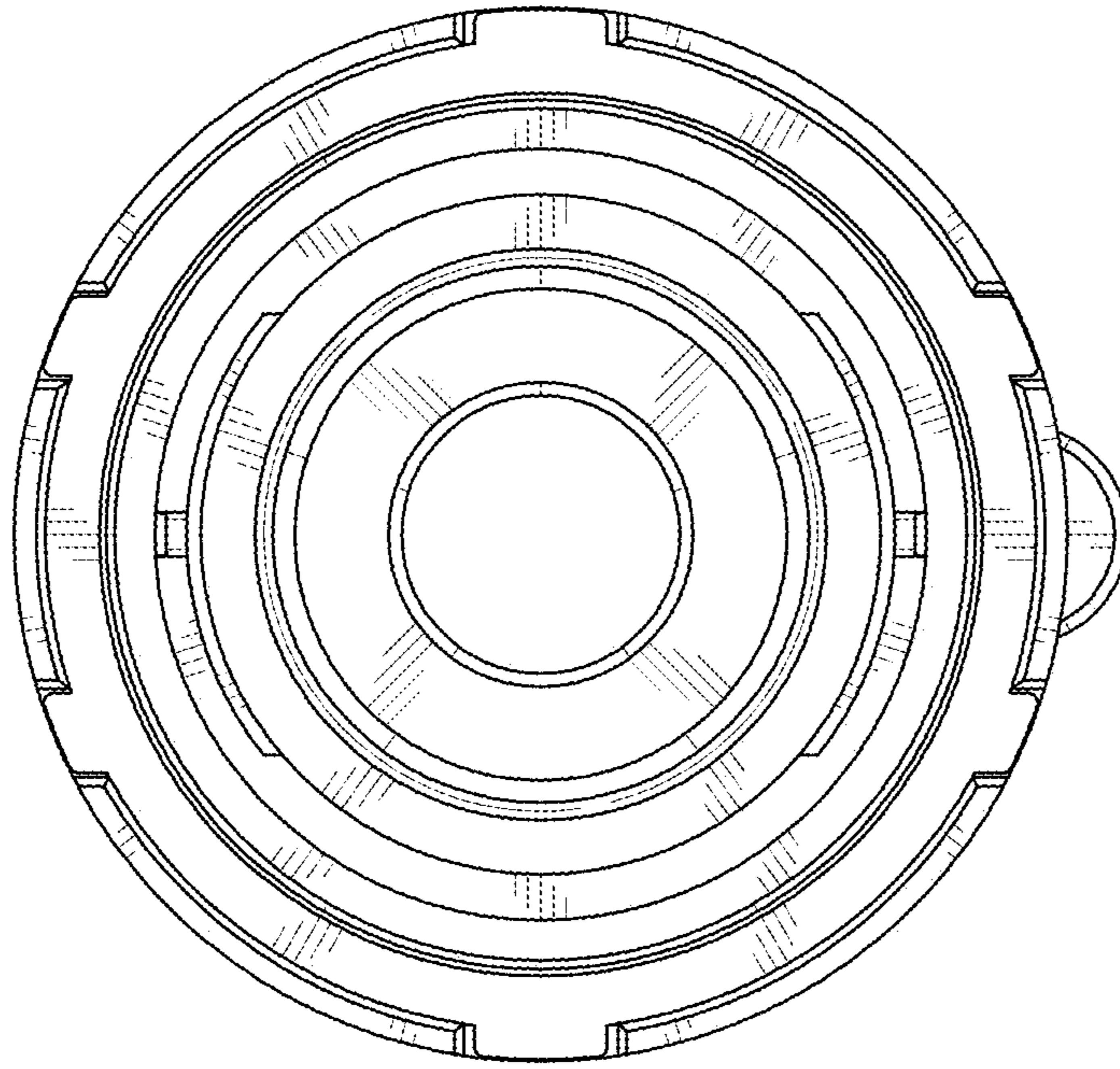


Fig. 11

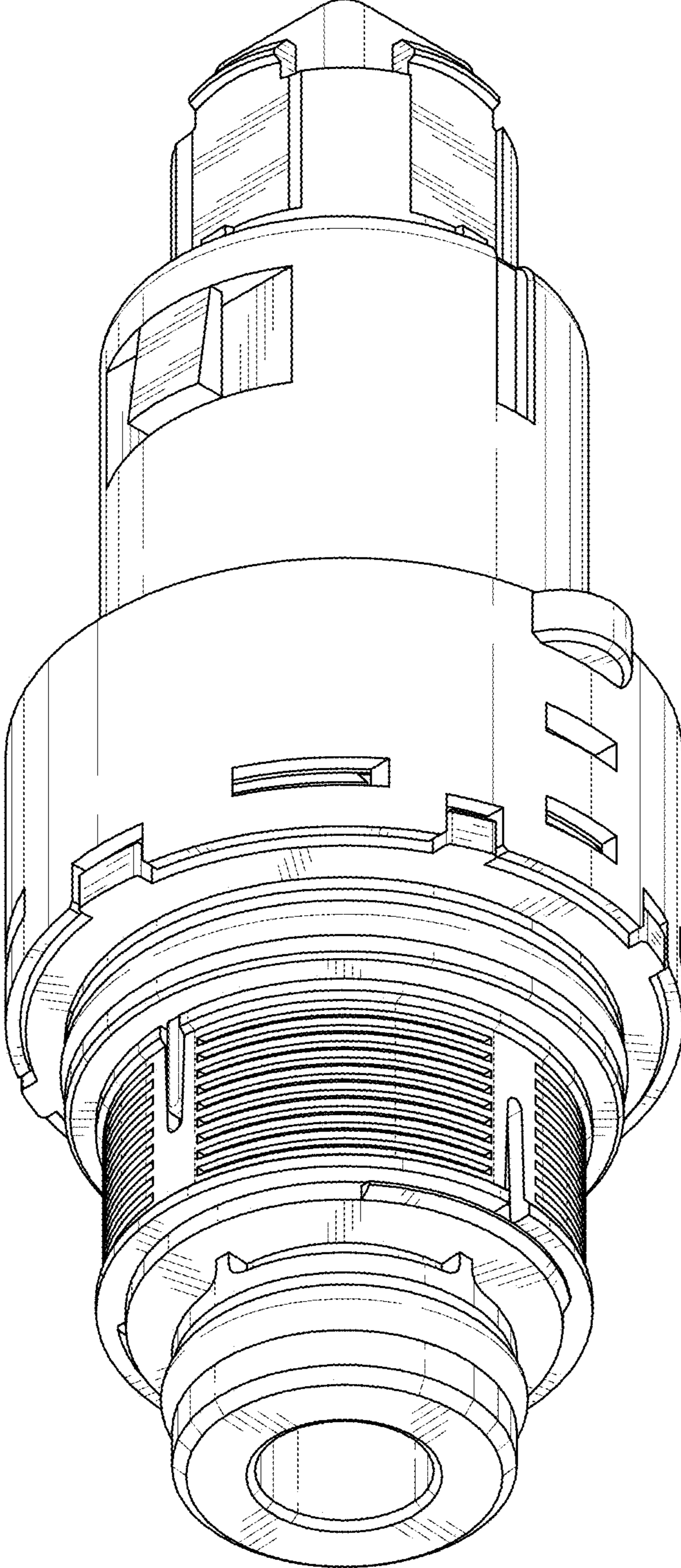


Fig. 12

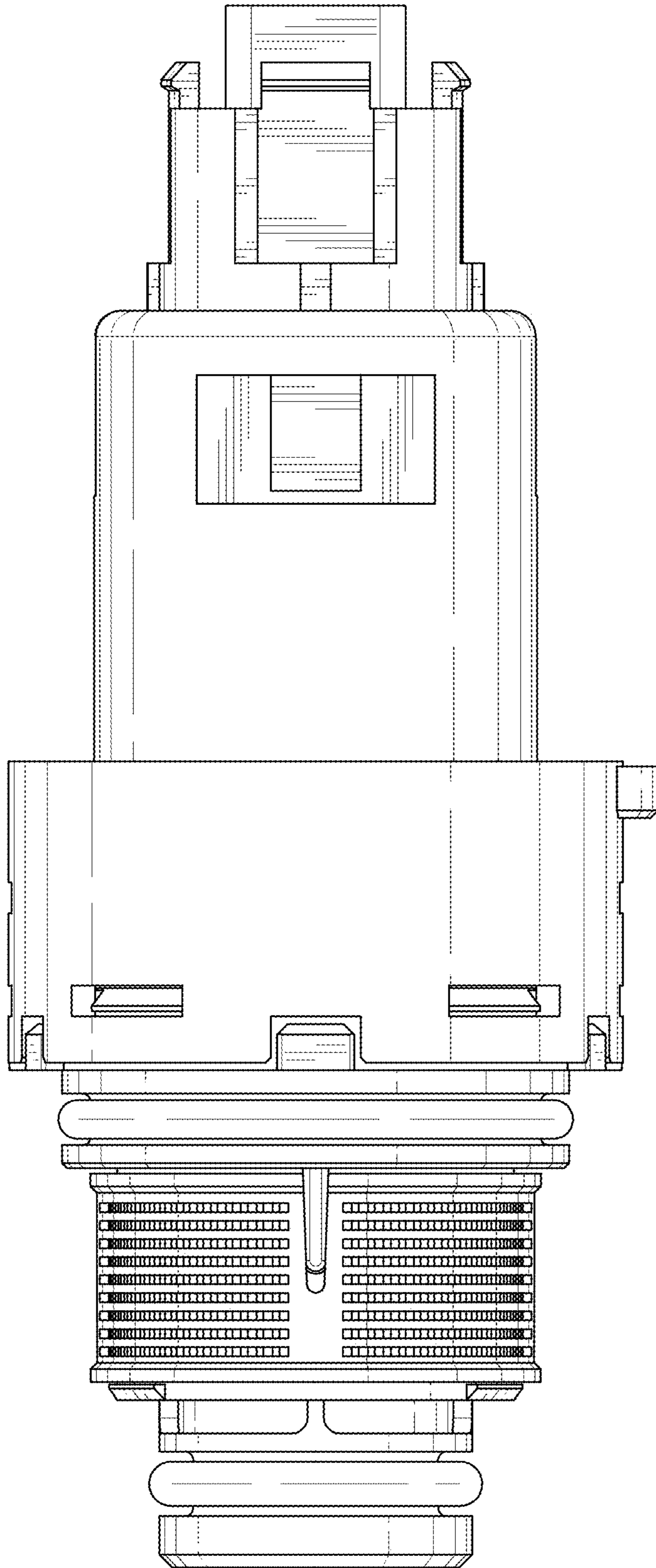


Fig. 13

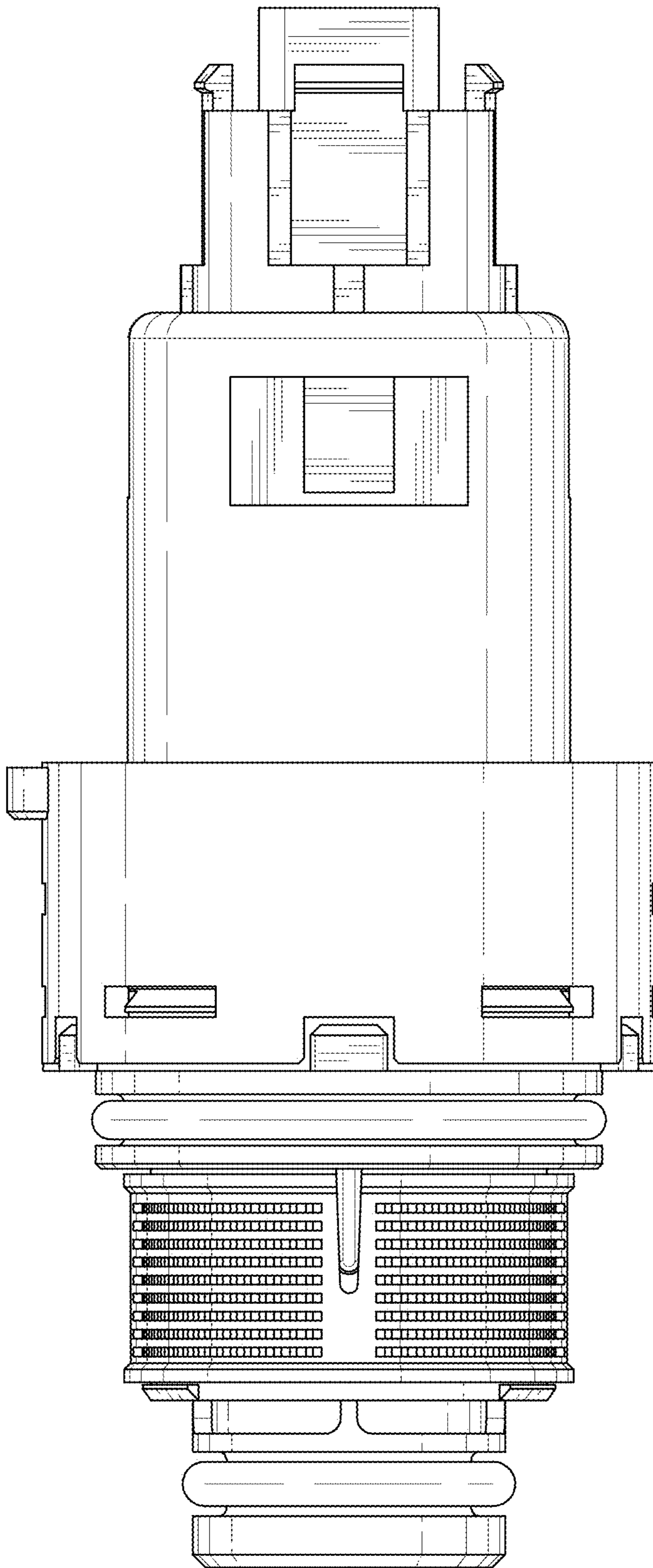


Fig. 14

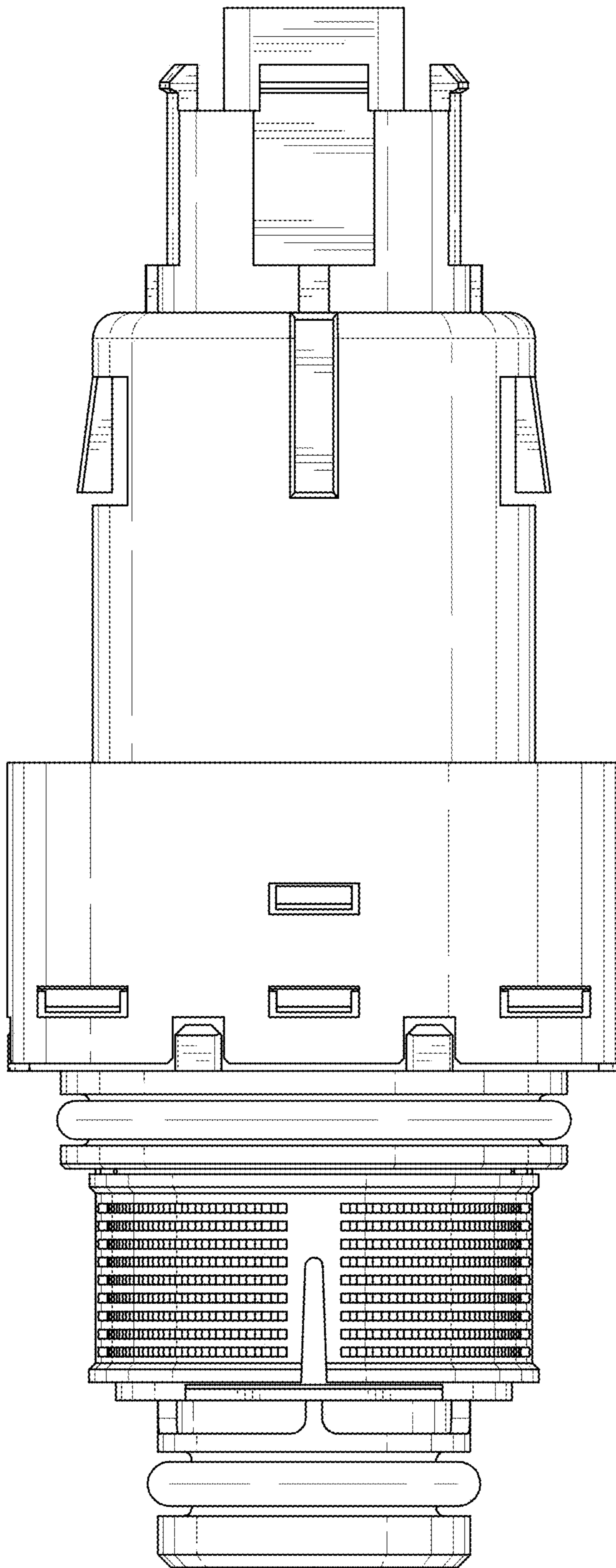


Fig. 15

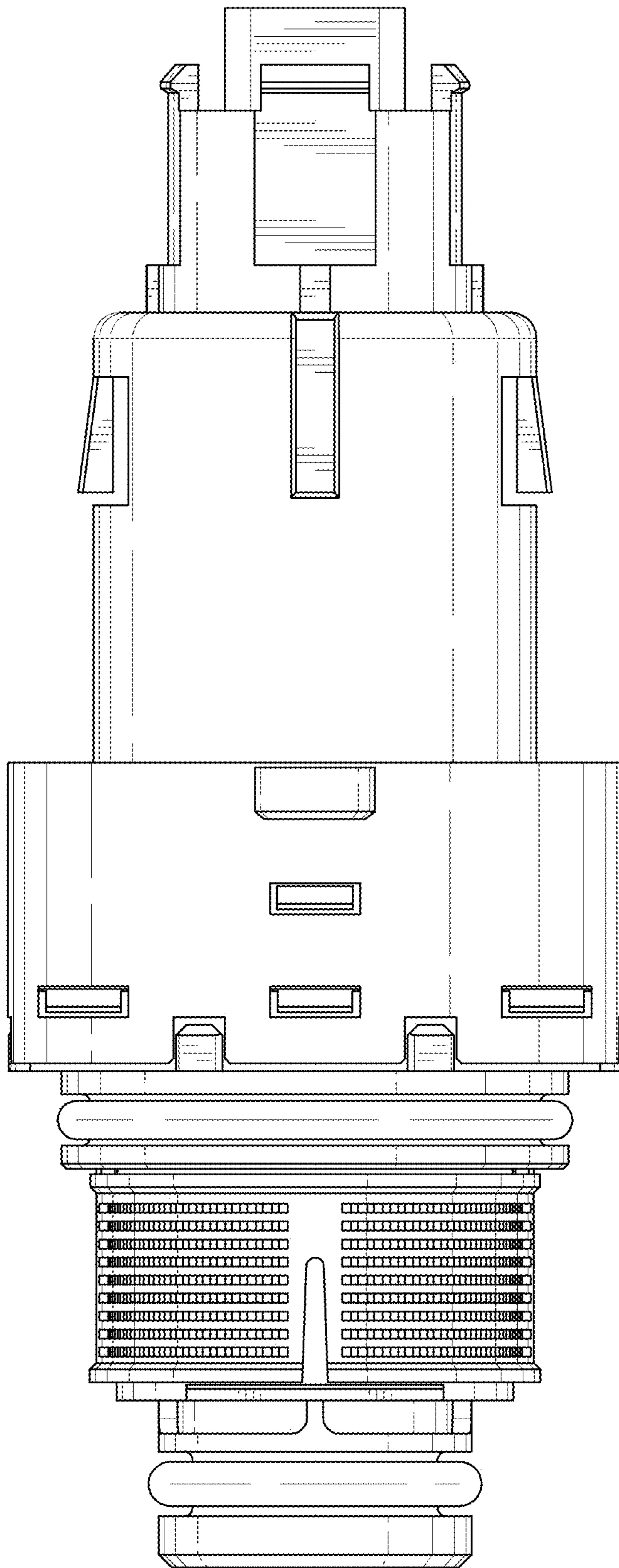


Fig. 16

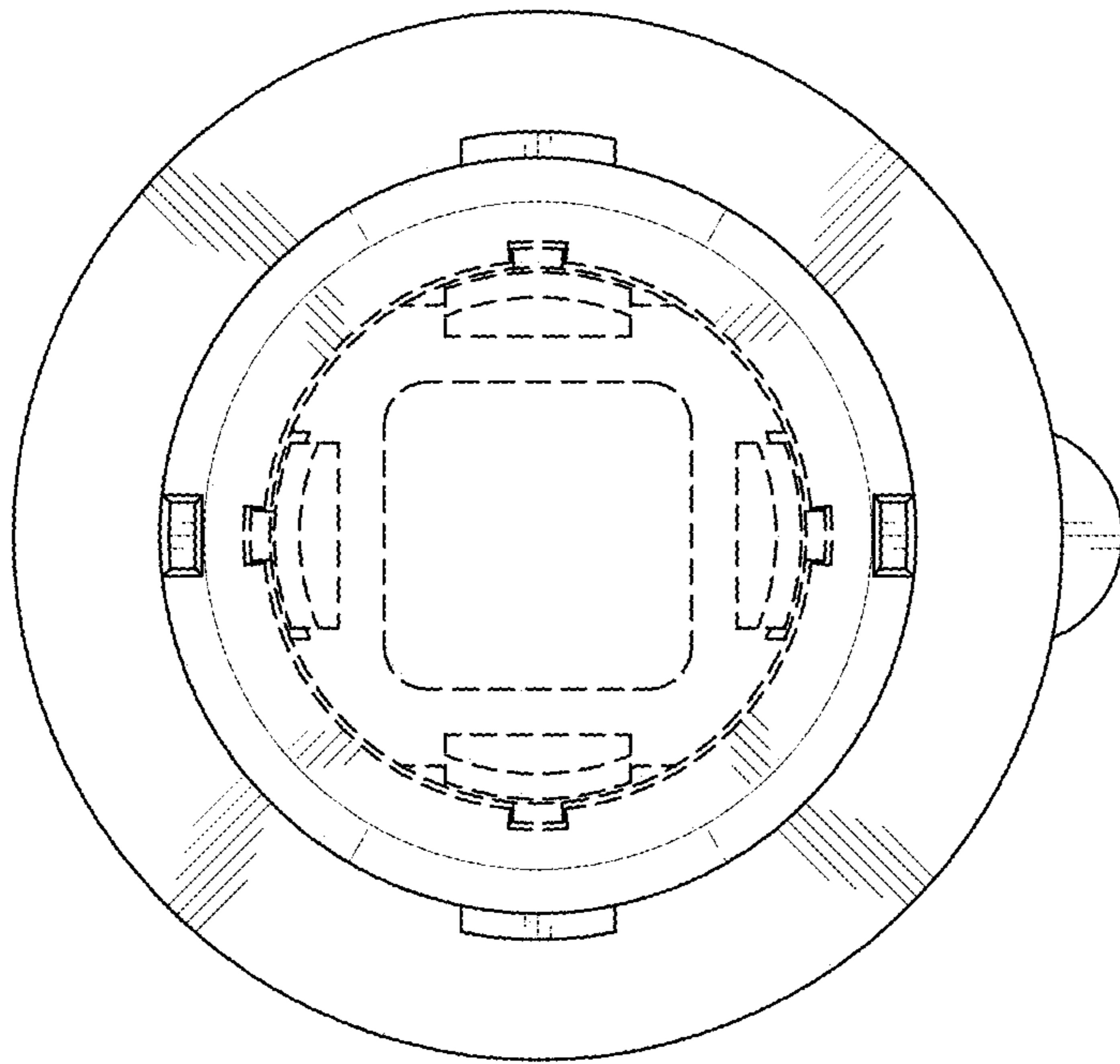


Fig. 17

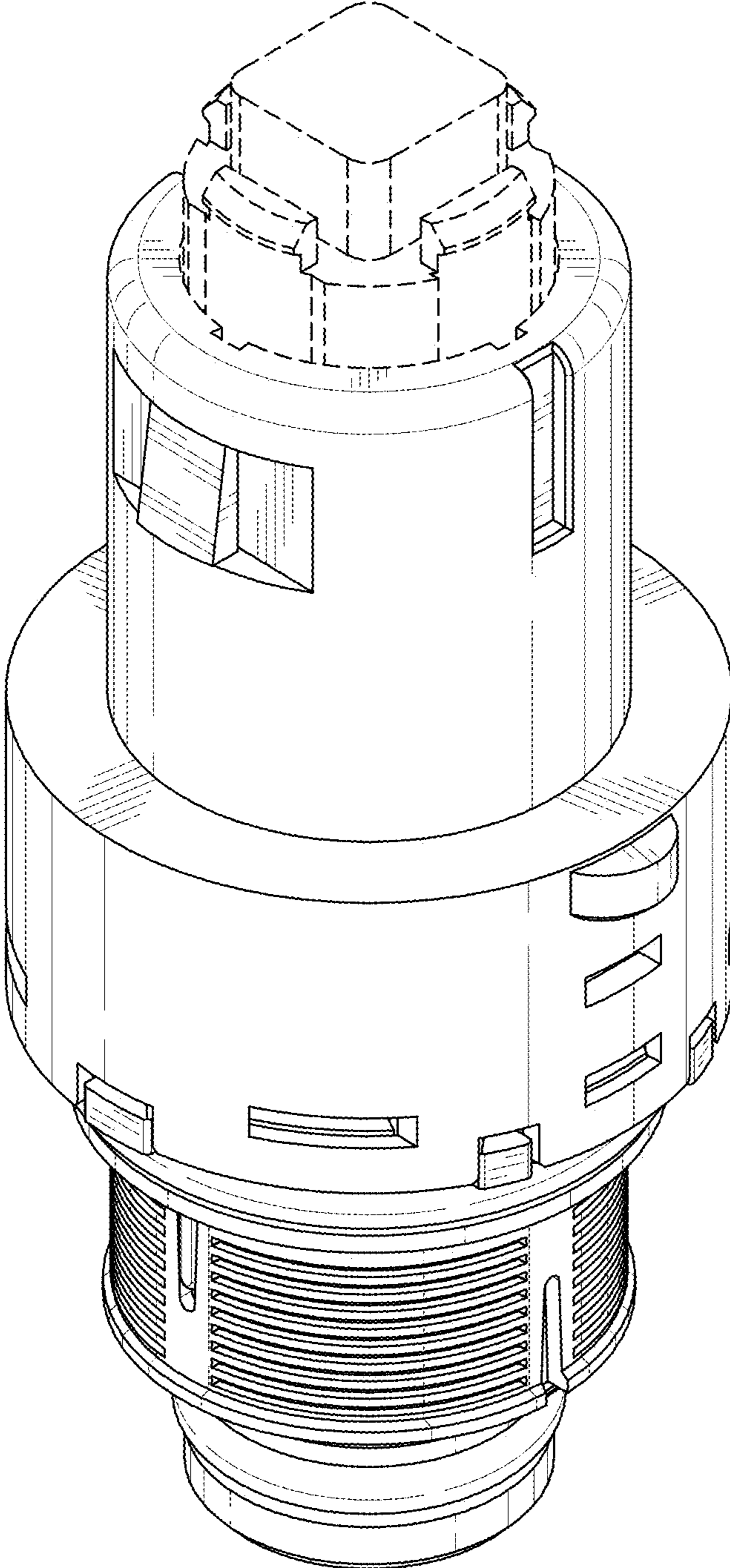


Fig. 18

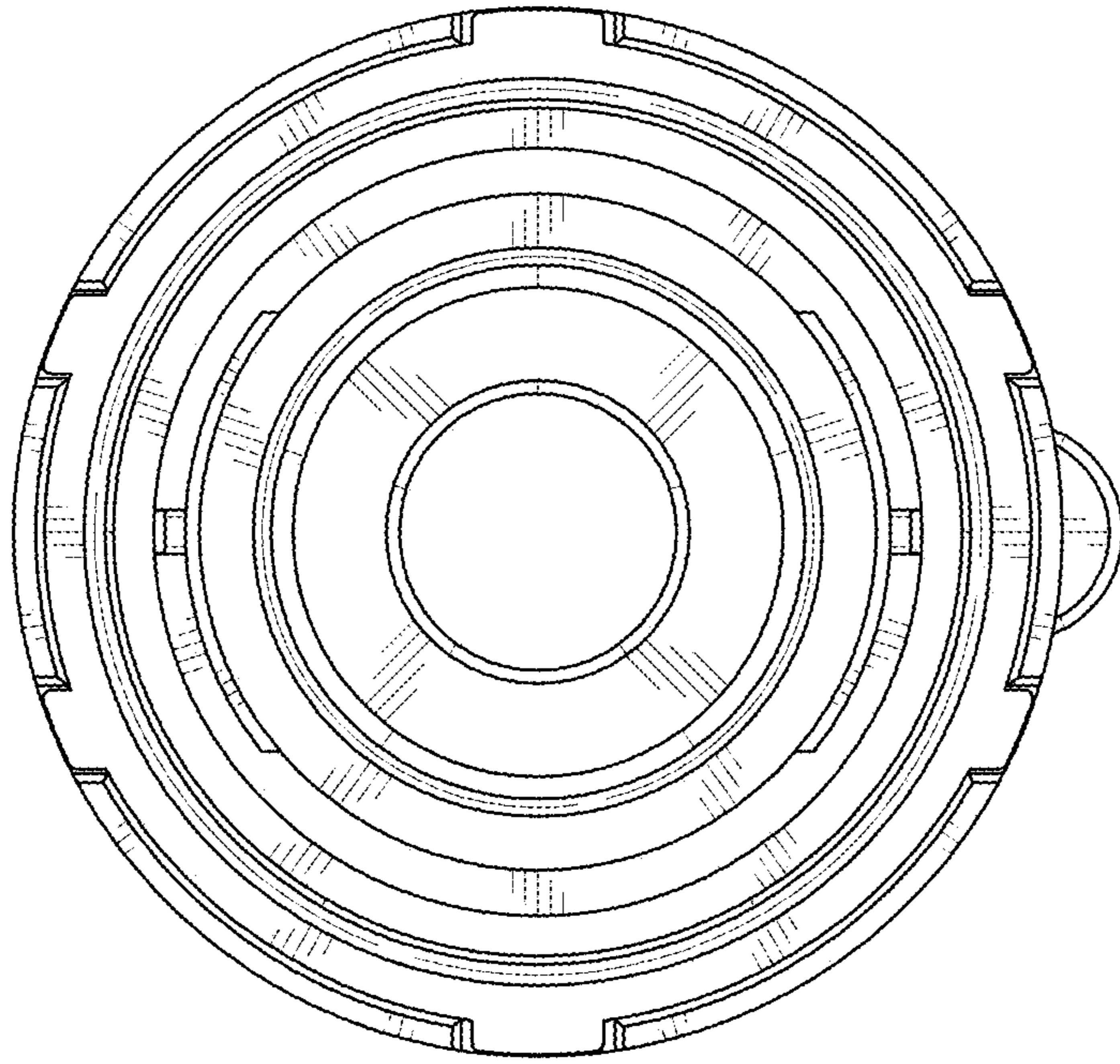


Fig. 19

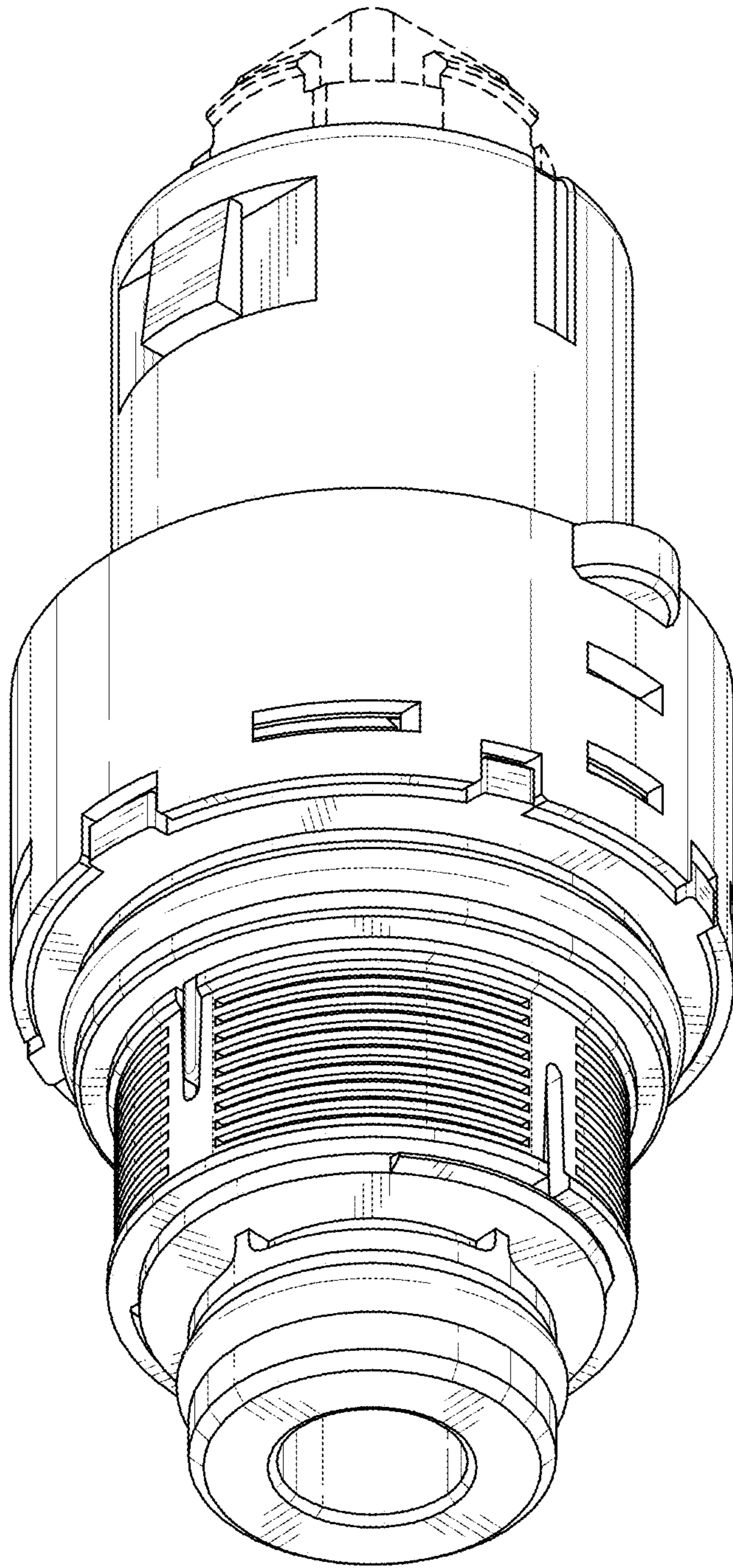


Fig. 20

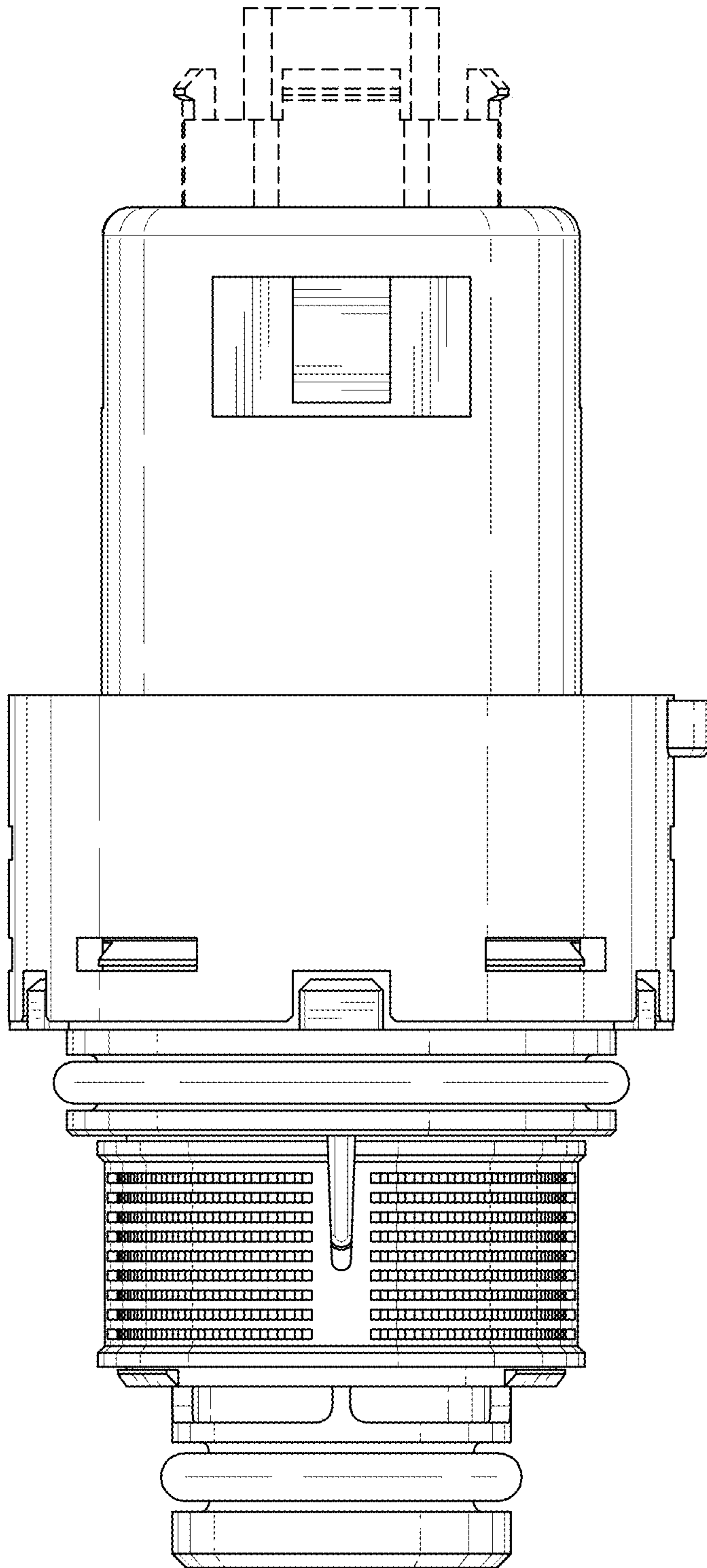


Fig. 21

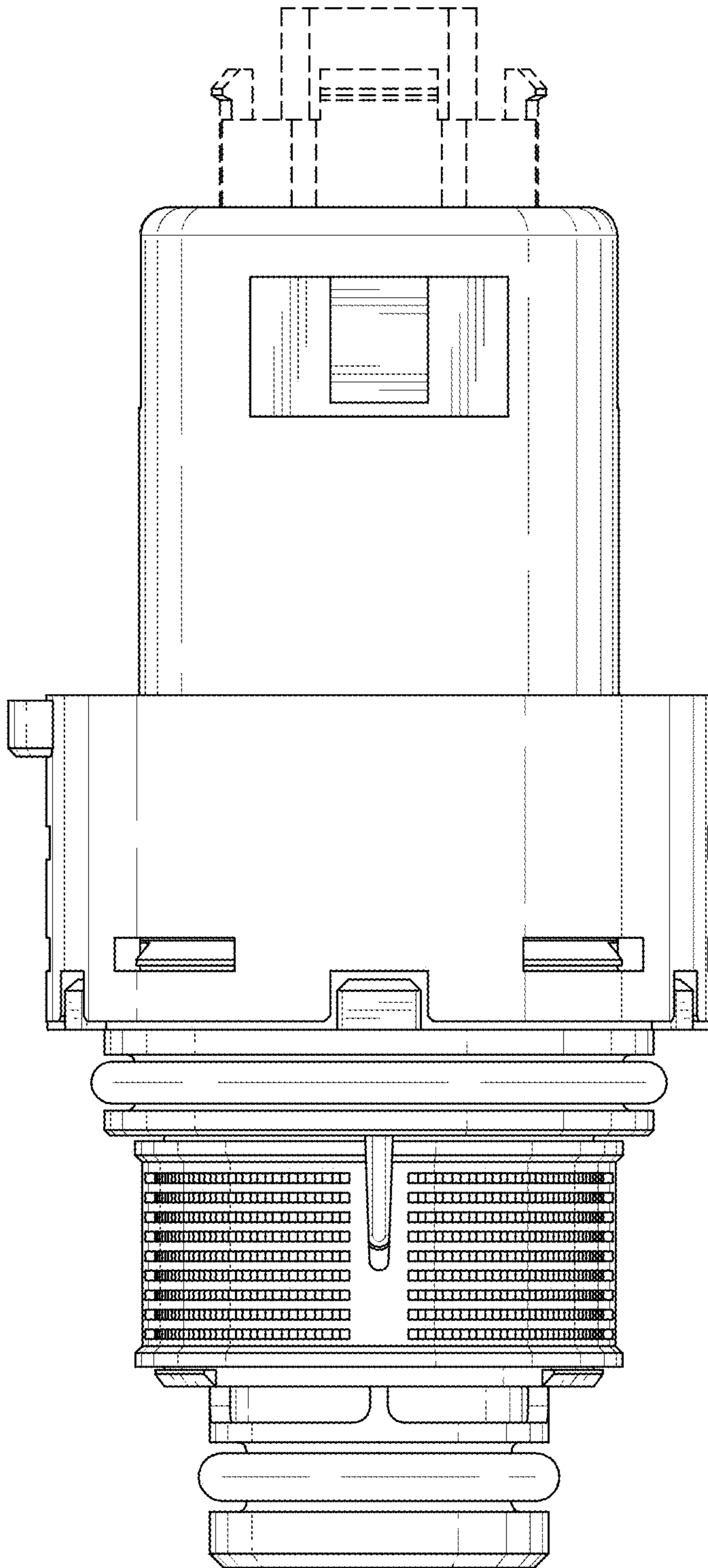


Fig. 22

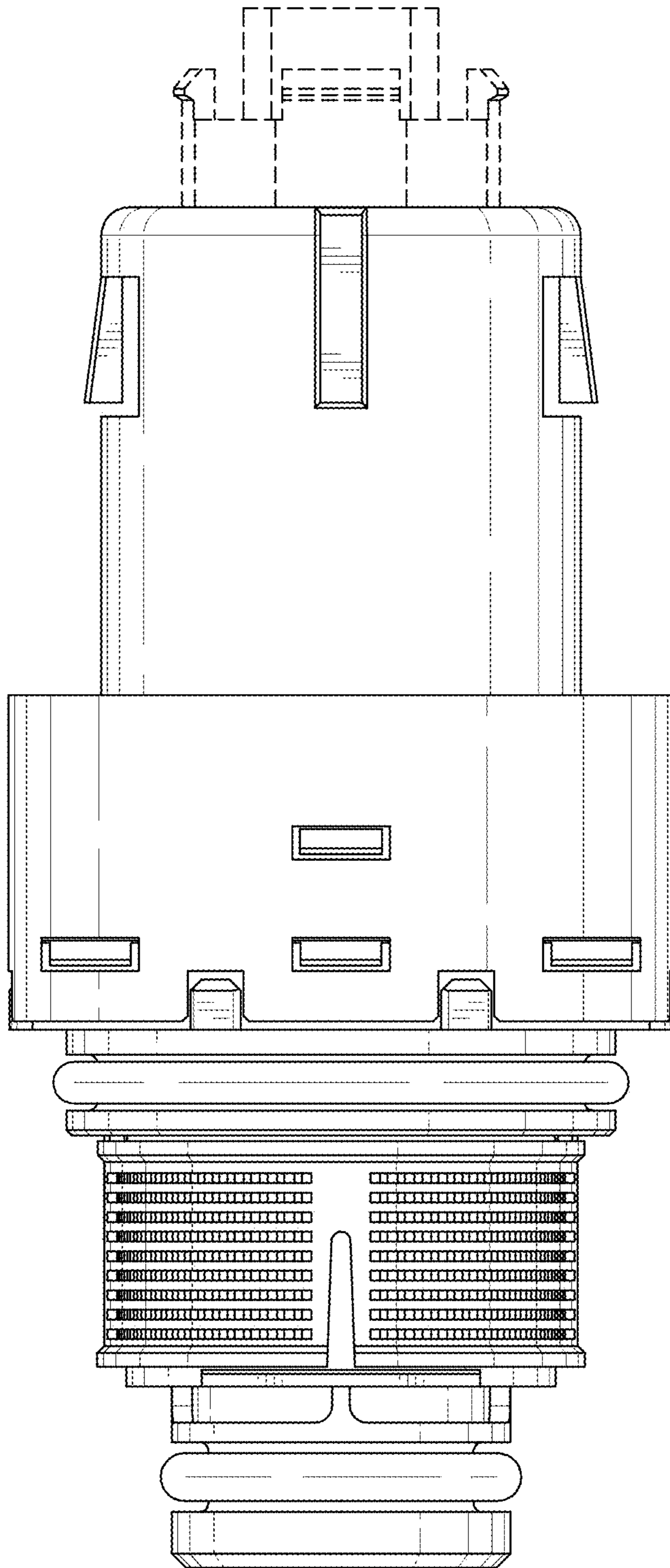


Fig. 23

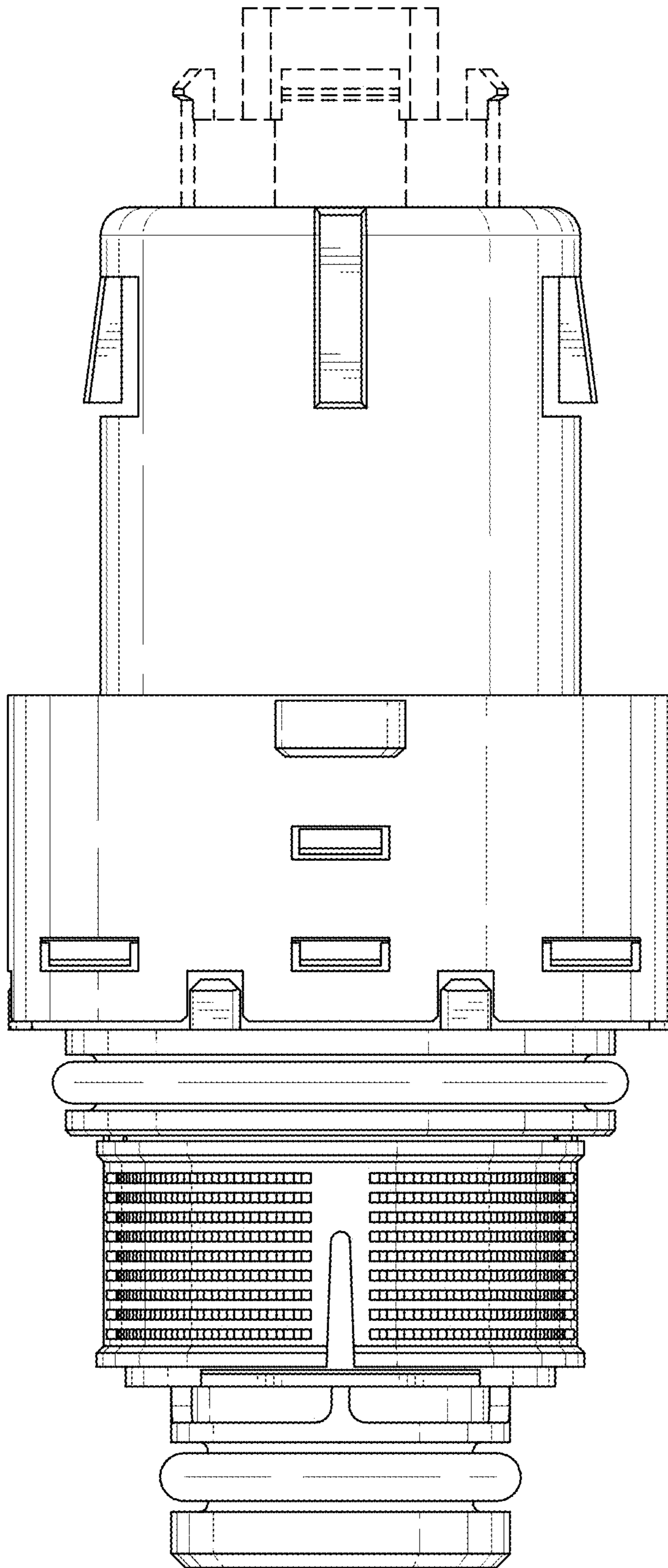


Fig. 24