



US00D925701S

(12) **United States Design Patent** (10) **Patent No.:** **US D925,701 S**
Pauly et al. (45) **Date of Patent:** **** Jul. 20, 2021**

(54) **COMBINED CONTROL AND DISPLAY COVER**

D806,212 S * 12/2017 Legatt D23/225
D880,531 S * 4/2020 Gao D15/9
2006/0108245 A1* 5/2006 Lee B25H 3/023
206/373

(71) Applicant: **Graco Minnesota Inc.**, Minneapolis, MN (US)

FOREIGN PATENT DOCUMENTS

(72) Inventors: **Thomas E. Pauly**, Zimmerman, MN (US); **Matthew A. Foreman**, Minneapolis, MN (US)

EM 006589701-0002 * 8/2019

(73) Assignee: **Graco Minnesota Inc.**, Minneapolis, MN (US)

OTHER PUBLICATIONS

(**) Term: **15 Years**

Graco TexSpray 3300 PSI . . . Airless Sprayer, date not available, [retrieved Mar. 9, 2021], Retrieved from Internet, URL: <https://pittsburghsprayequip.com/products/graco-texspray-mark-v-procontractor-series-electric-airless-sprayer-hi-boy> (Year: 2021).*

(21) Appl. No.: **29/676,742**

* cited by examiner

(22) Filed: **Jan. 14, 2019**

Primary Examiner — Barbara Fox
Assistant Examiner — Aram Kwon

(51) **LOC (13) Cl.** **23-01**

(74) *Attorney, Agent, or Firm* — Kinney & Lange, P. A.

(52) **U.S. Cl.**

(57) **CLAIM**

USPC **D23/227**; D23/225

The ornamental design for a combined control and display cover, as shown and described.

(58) **Field of Classification Search**

DESCRIPTION

USPC D14/239; D23/200, 202, 213, 221, 223, D23/224–229; D15/7, 28, 13, 17, 75, 78

CPC B25H 3/023; B05B 9/007; B05B 7/0815; E01C 23/206; E01C 23/22

See application file for complete search history.

FIG. 1 is a perspective view of a combined control and display cover showing our new design.

(56) **References Cited**

U.S. PATENT DOCUMENTS

- D572,273 S * 7/2008 Carpenter D15/7
- D580,515 S * 11/2008 Wrobel D23/225
- D580,518 S * 11/2008 Johnson D23/225
- D589,985 S * 4/2009 Steinfels D15/9
- D596,706 S * 7/2009 Gundersen D23/225
- D616,065 S * 5/2010 Gundersen D23/225
- D632,762 S * 2/2011 Mattson D23/225
- D660,891 S * 5/2012 Sannomiya D15/143
- D771,222 S * 11/2016 Pellin D23/225
- D803,982 S * 11/2017 Legatt D23/225
- D803,983 S * 11/2017 Legatt D23/225

FIG. 2 is a front elevational view of the combined control and display cover.

FIG. 3 is a right side view of the combined control and display cover.

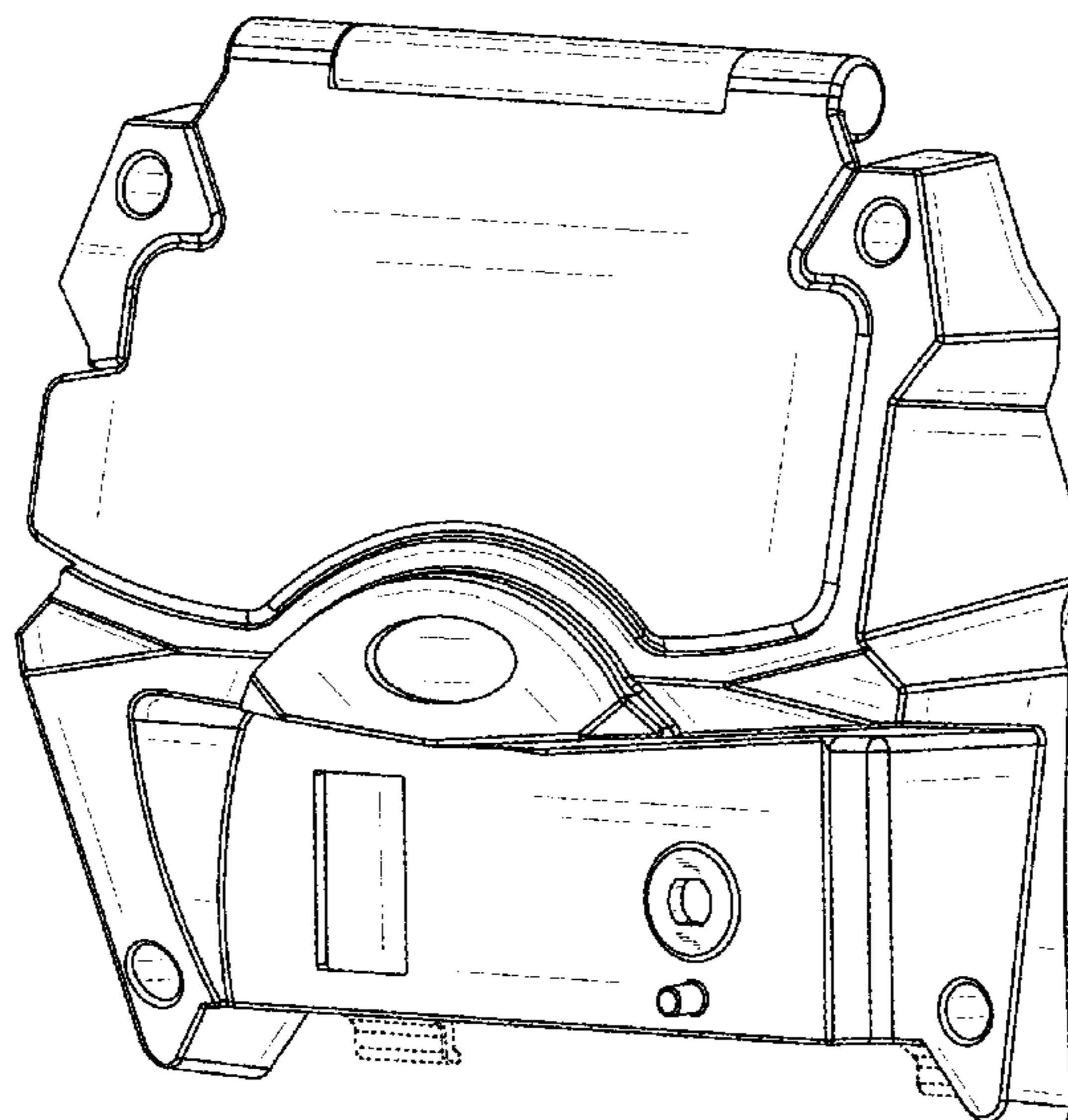
FIG. 4 is a left side view of the combined control and display cover.

FIG. 5 is a top plan view of the combined control and display cover; and,

FIG. 6 is a bottom plan view of the combined control and display cover.

The broken lines in the Figures depict portions of the combined control and display cover that form no part of the claimed design.

1 Claim, 4 Drawing Sheets



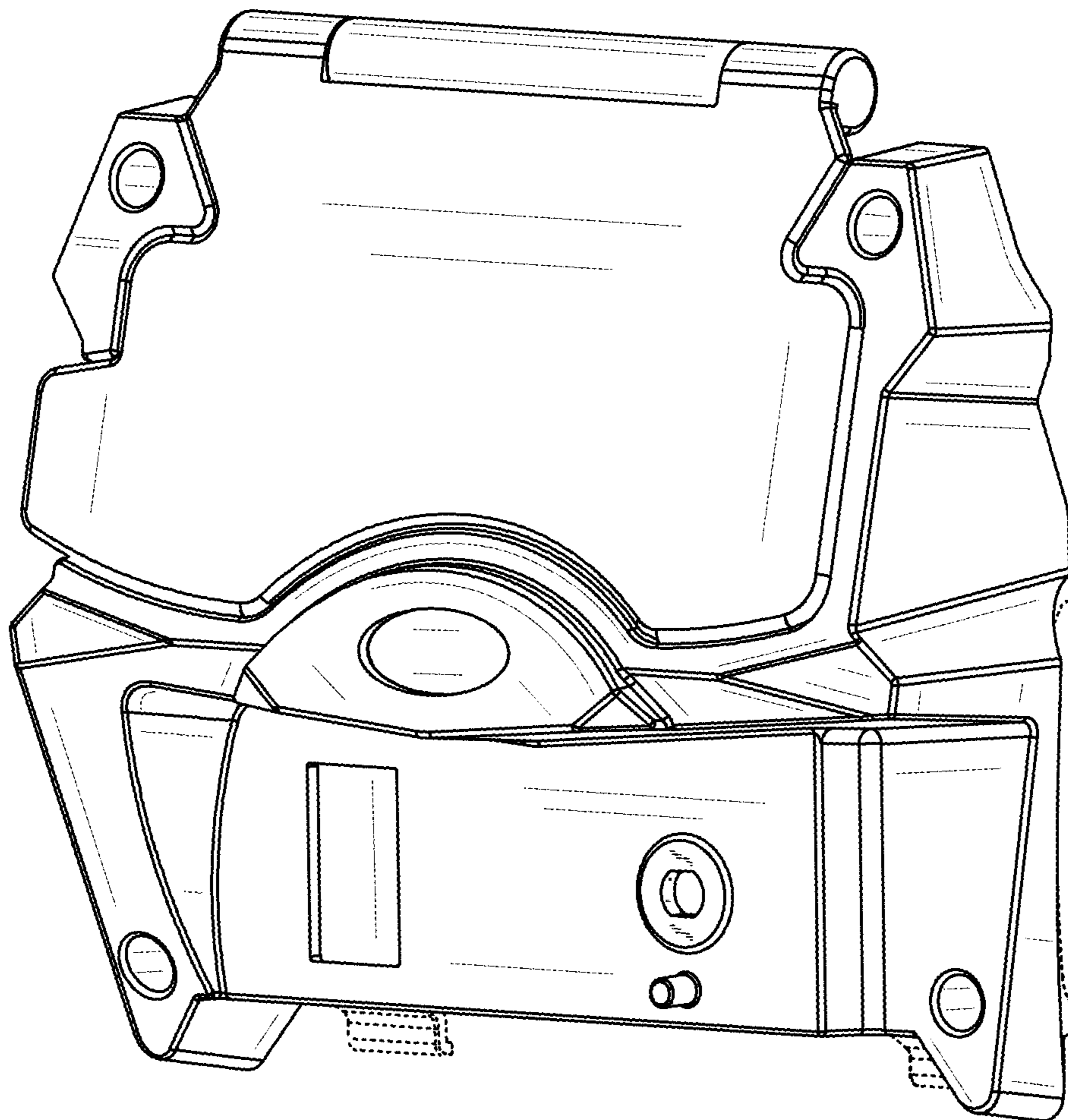


Fig. 1

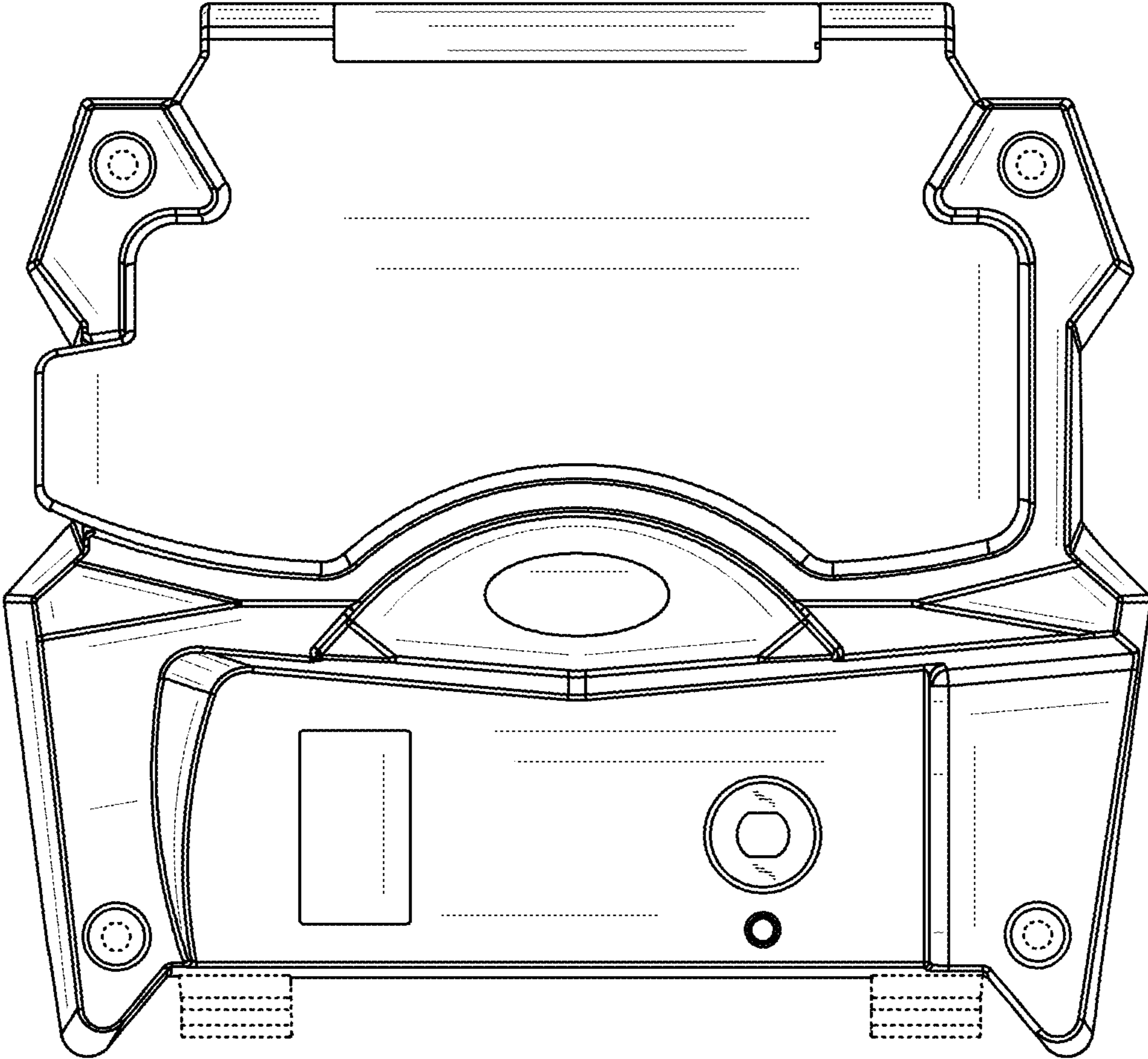


Fig. 2

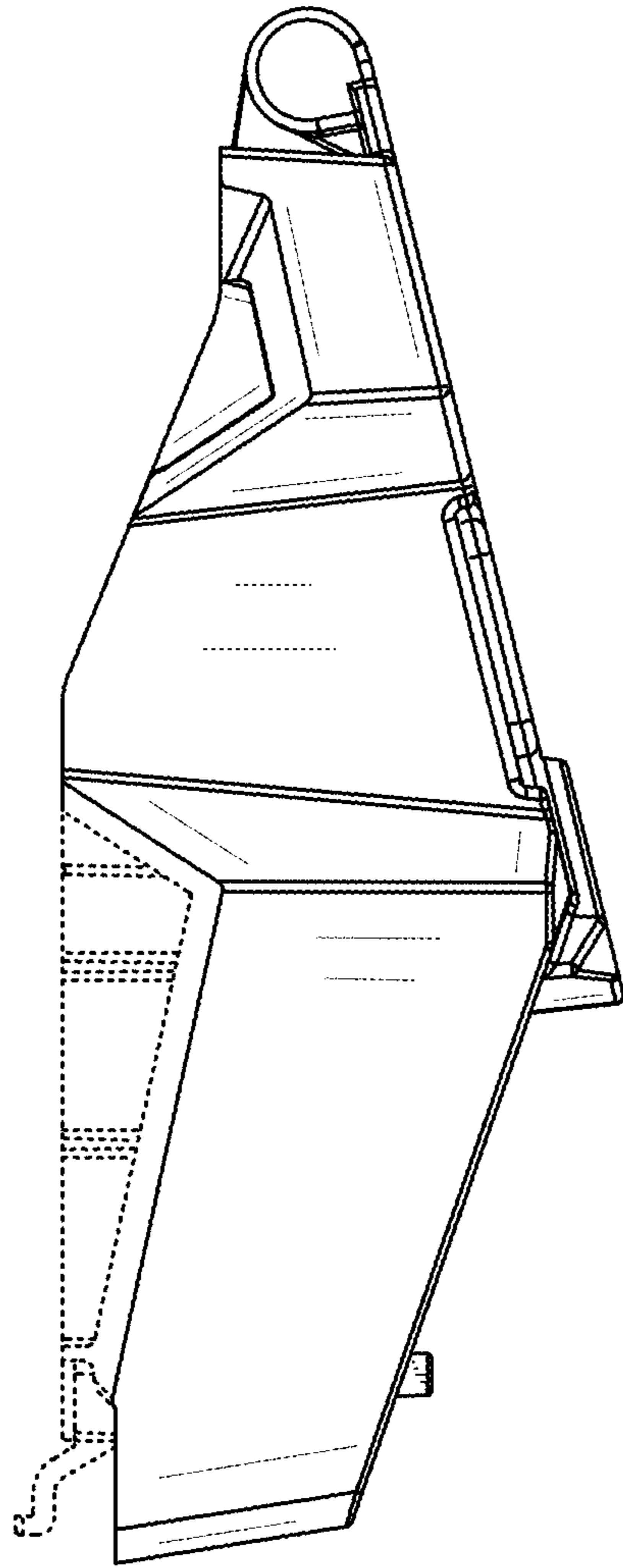


Fig. 3

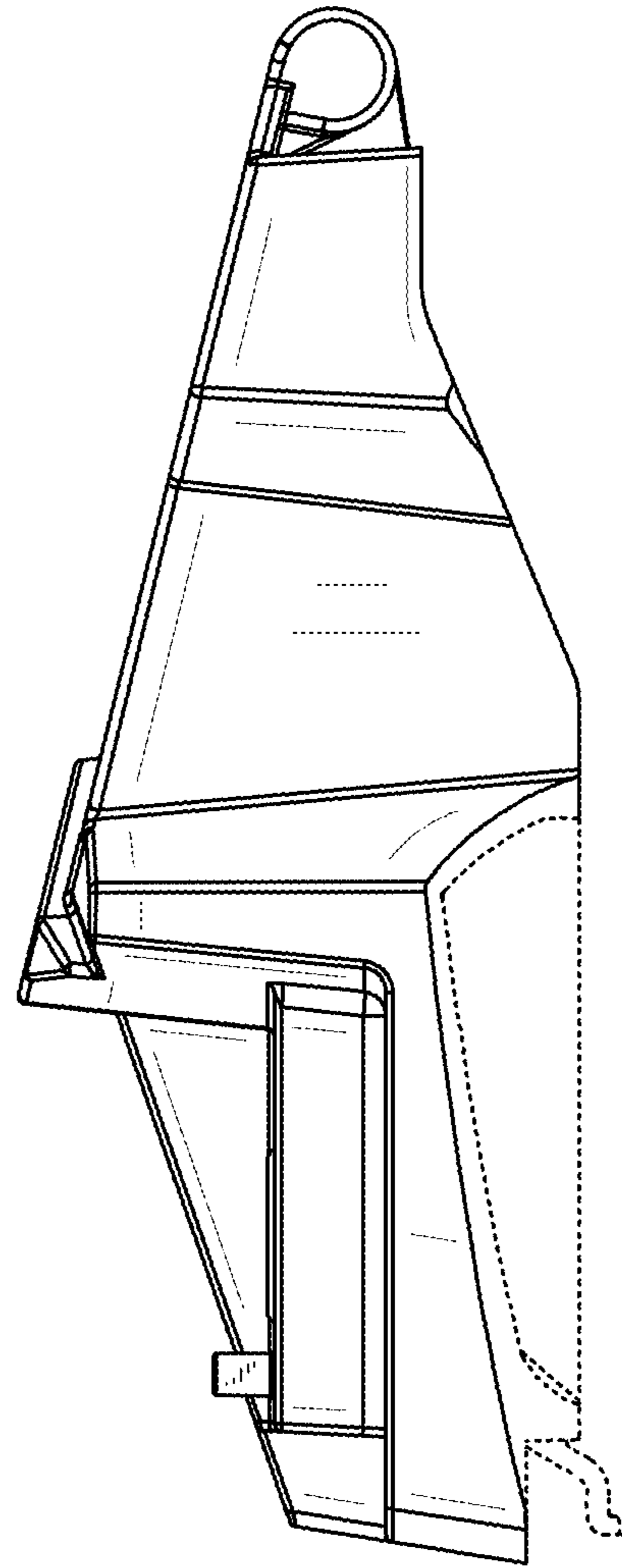


Fig. 4

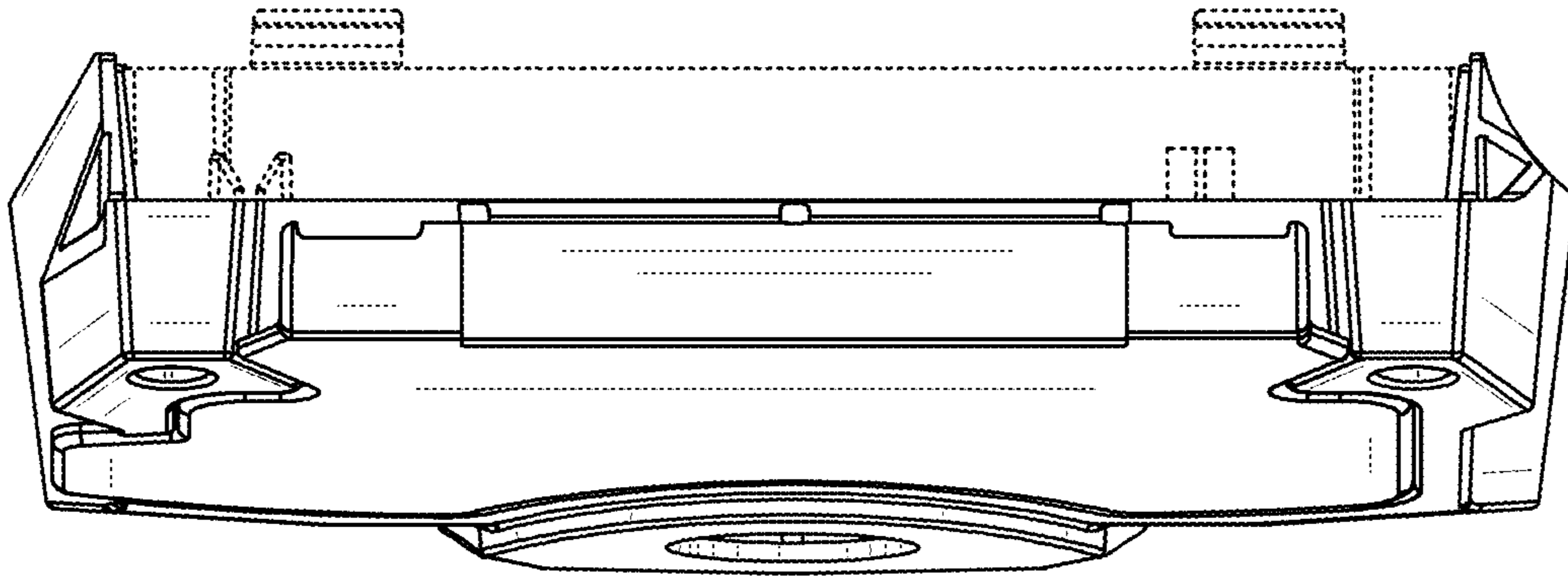


Fig. 5

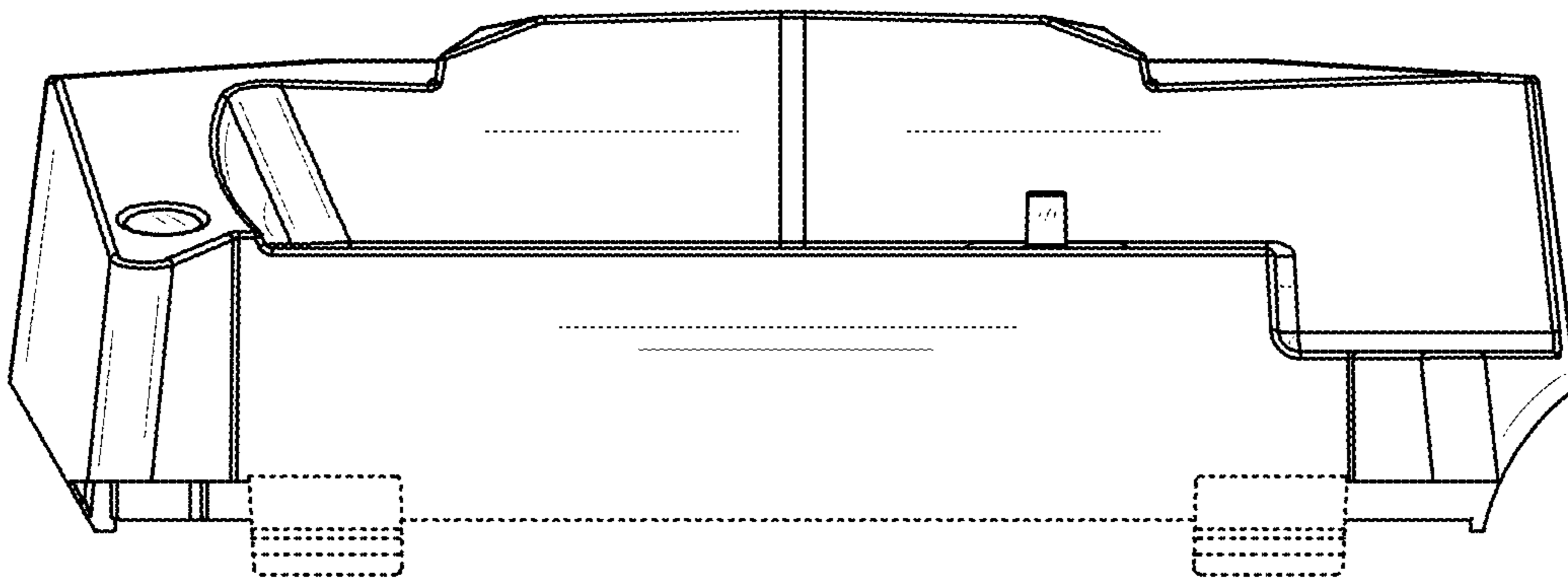


Fig. 6