



US00D925696S

(12) **United States Design Patent** (10) **Patent No.:** **US D925,696 S**
Svendsen (45) **Date of Patent:** **** Jul. 20, 2021**

(54) **REVERSIBLE TIP FLAG FOR USE WITH A PAINT SPRAYER**

D666,274 S * 8/2012 Smith D23/213
D796,003 S * 8/2017 Rossner D23/213
D908,835 S * 1/2021 Barney D23/213
D912,201 S * 3/2021 Arenson D23/213

(71) Applicant: **Harbor Freight Tools USA, Inc.**,
Calabasas, CA (US)

OTHER PUBLICATIONS

(72) Inventor: **John Michael Svendsen**, Camarillo,
CA (US)

<https://www.harborfreight.com/515-reversible-airless-paint-spray-tip-64629.html> (Year: 2019).*

(73) Assignee: **Harbor Freight Tools USA, Inc.**,
Calabasas, CA (US)

Wagner HEA ProTip, Nov. 16, 2018, youtube.com. May 17, 2021.
URL: <https://www.youtube.com/watch?v=P3OJWEuBvpY> (Year: 2018).*

(**) Term: **15 Years**

Wagner 517, Jul. 7, 2018, Amazon.com May 17, 2021. URL: <https://www.amazon.co.uk/Wagner-517517-Control-Airless-Emulsion/dp/B073K4L1P1/> (Year: 2018).*

(21) Appl. No.: **29/722,289**

* cited by examiner

(22) Filed: **Jan. 28, 2020**

(51) **LOC (13) Cl.** **23-01**

Primary Examiner — Jack Reickel

(52) **U.S. Cl.**
USPC **D23/213**

Assistant Examiner — Keith J Wilson

(58) **Field of Classification Search**
USPC D23/213, 214, 215, 223, 224, 226, 229
CPC A61H 9/0021; A61H 33/00; B05B 1/00;
B05B 1/14; B05B 1/185; B05B 1/08;
B05B 1/02; B05B 1/26; B05B 12/002;
B05B 1/18; B05B 9/01

(74) *Attorney, Agent, or Firm* — McAndrews Held & Malloy, Ltd.

See application file for complete search history.

(57) **CLAIM**

The ornamental design for a reversible tip flag for use with a paint sprayer, as shown and described.

(56) **References Cited**

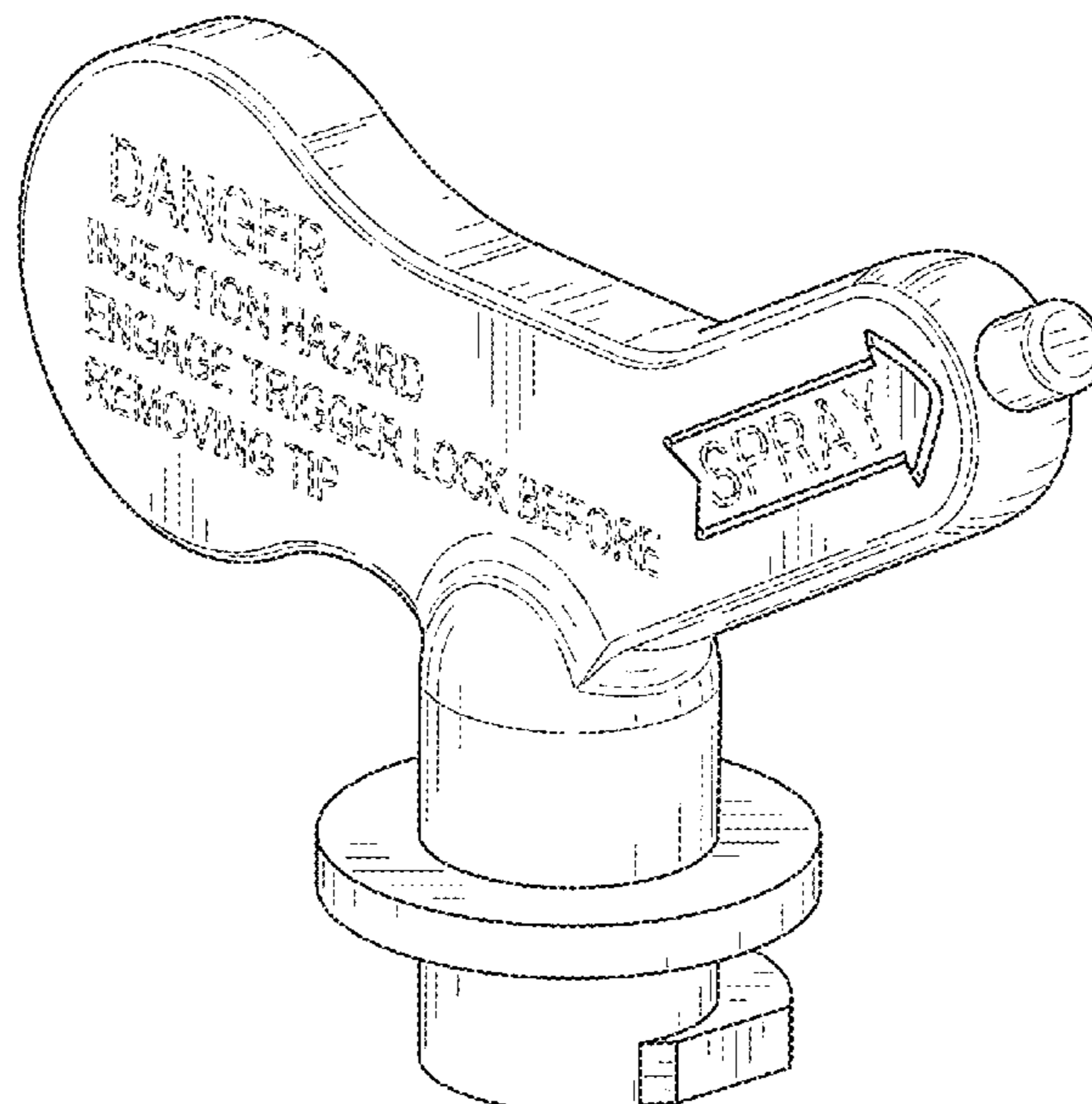
DESCRIPTION

U.S. PATENT DOCUMENTS

4,971,249 A * 11/1990 Tam B05B 15/534
239/119
5,765,753 A * 6/1998 Kieffer B05B 15/534
239/119
6,264,115 B1 * 7/2001 Liska B05B 15/534
239/119
6,978,944 B1 * 12/2005 Carey B05B 15/534
239/119
7,328,853 B2 * 2/2008 Carey B05B 15/534
239/74

FIG. 1 is a front-top perspective view of a reversible tip flag for use with a paint sprayer showing my new design; FIG. 2 is a right side elevation view thereof; FIG. 3 is a left side elevation view thereof; FIG. 4 is a rear elevation view thereof; FIG. 5 is a front elevation view thereof; FIG. 6 is a top plan view thereof; FIG. 7 is a bottom plan view thereof; and, FIG. 8 is a rear-bottom perspective view thereof. The dashed broken lines in the figures illustrate portions of the reversible tip flag for use with a paint sprayer that form no part of the claimed design.

1 Claim, 5 Drawing Sheets



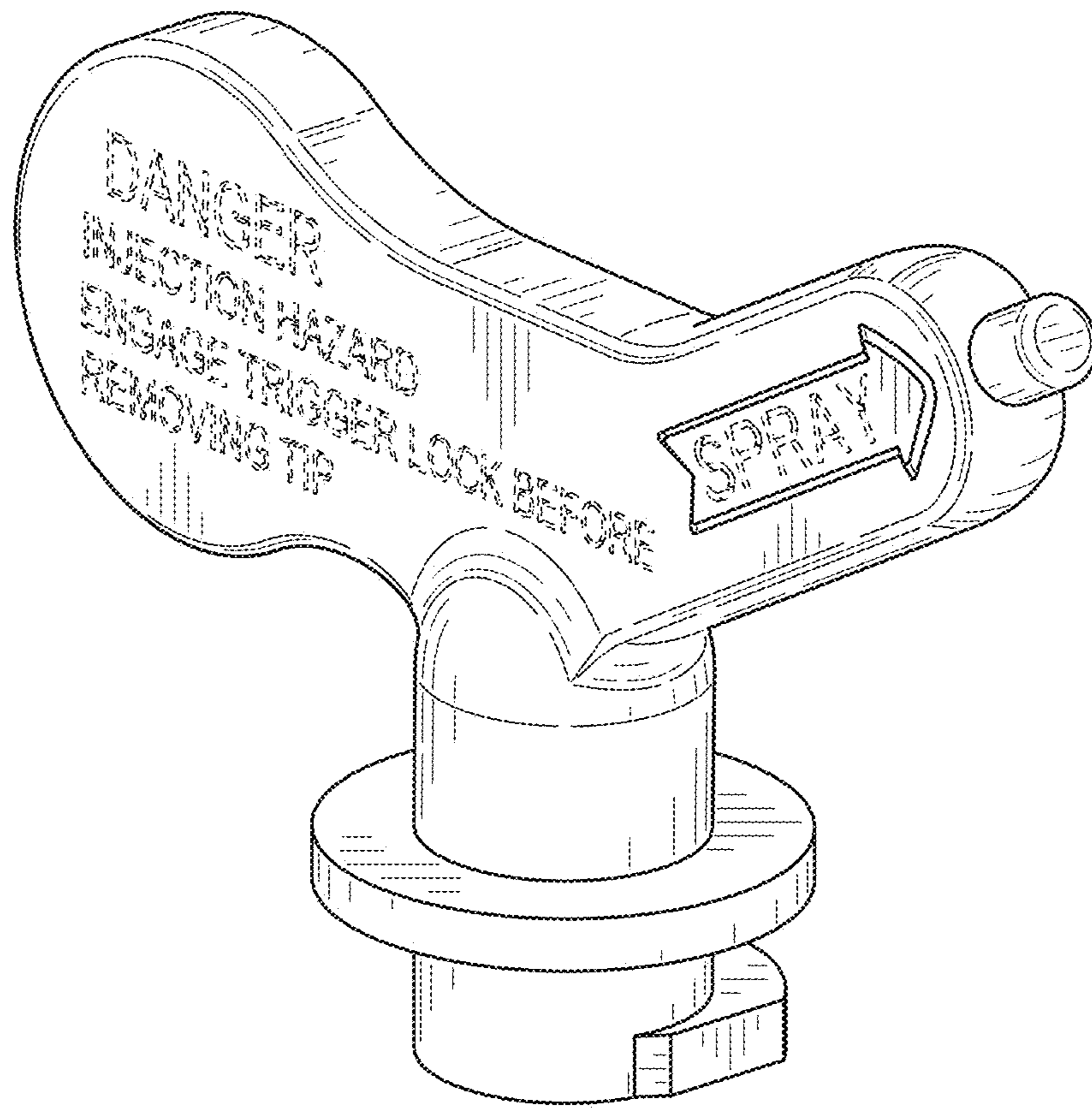


FIG. 1

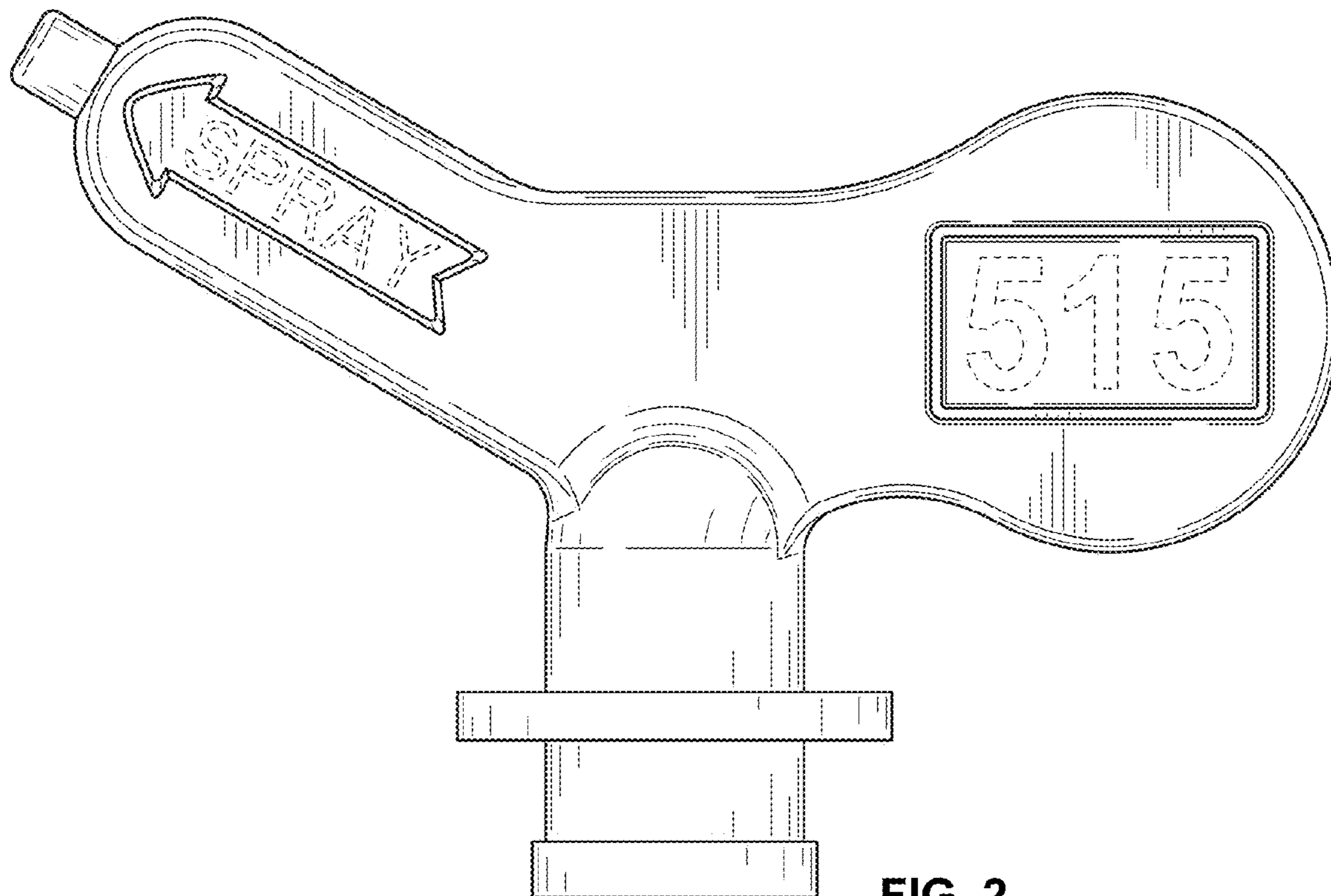


FIG. 2

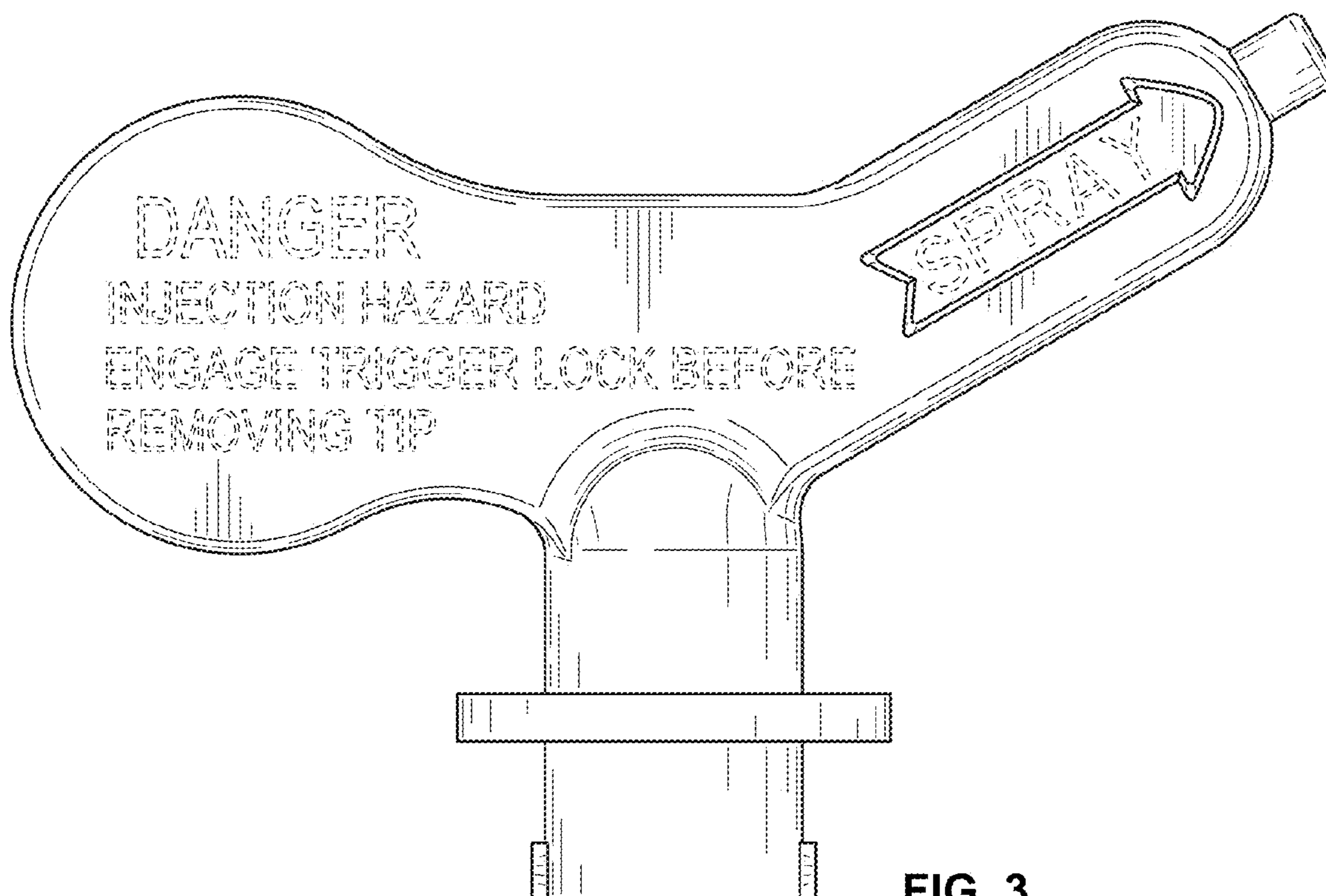


FIG. 3

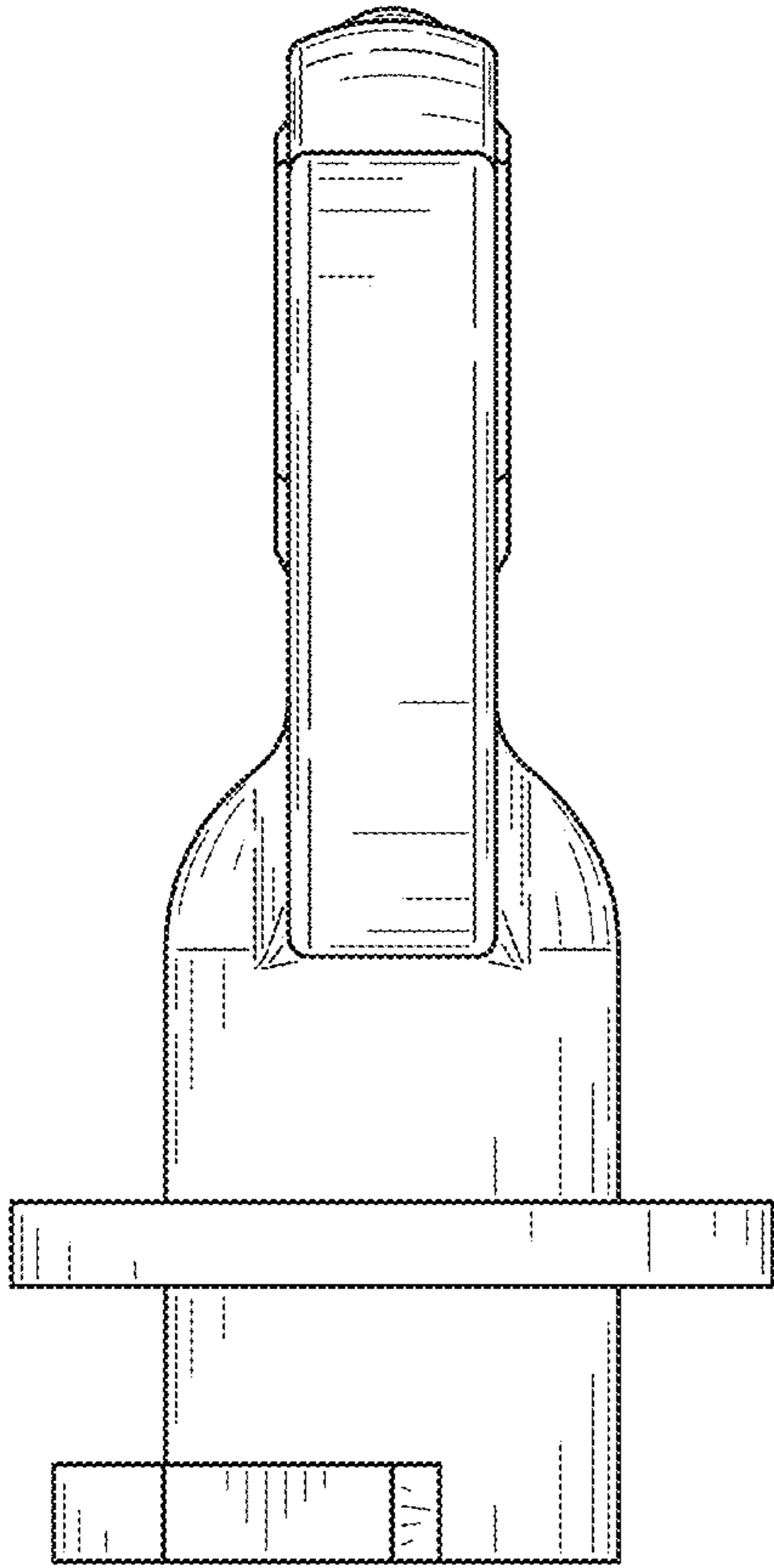


FIG. 4

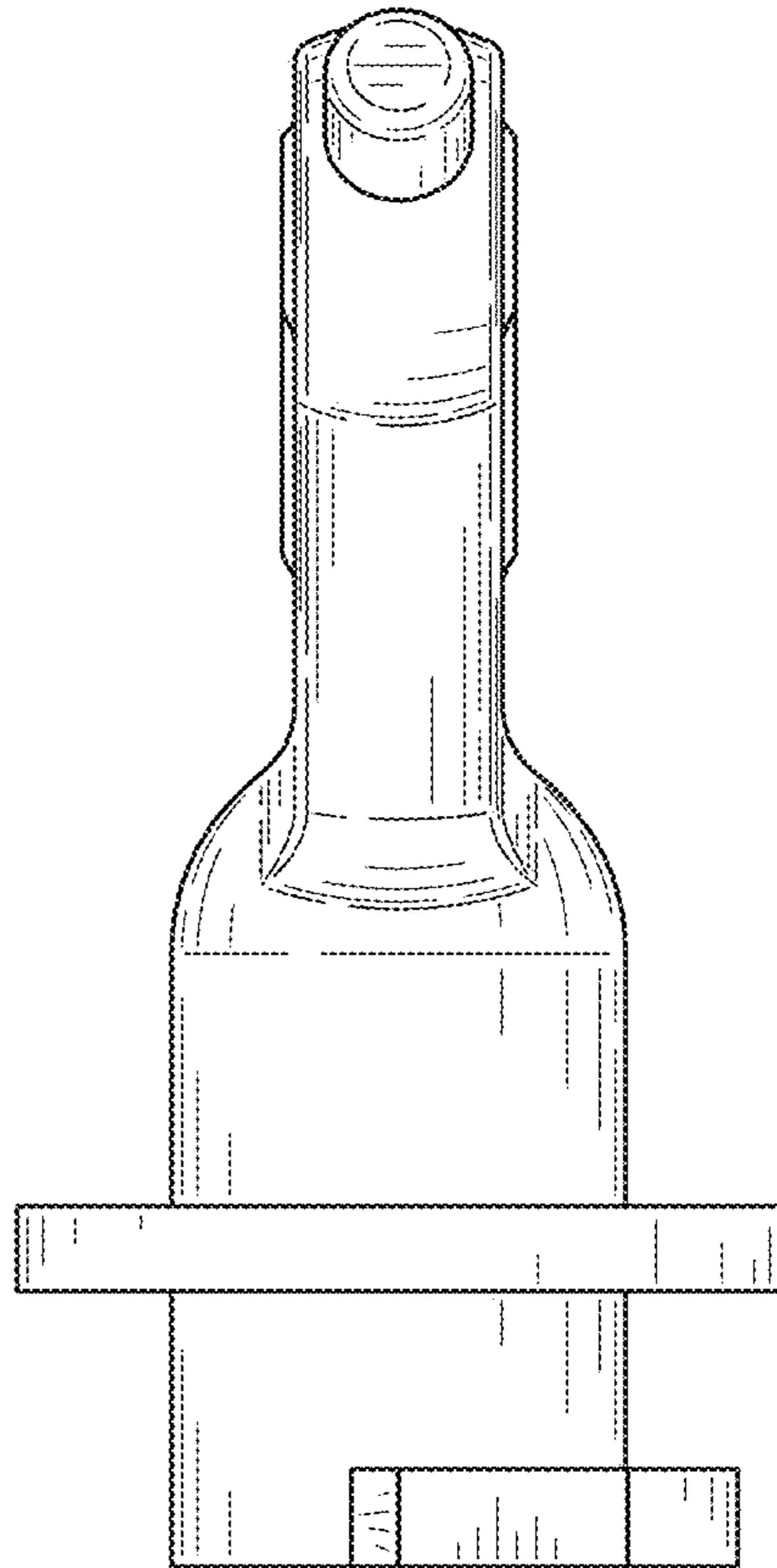


FIG. 5

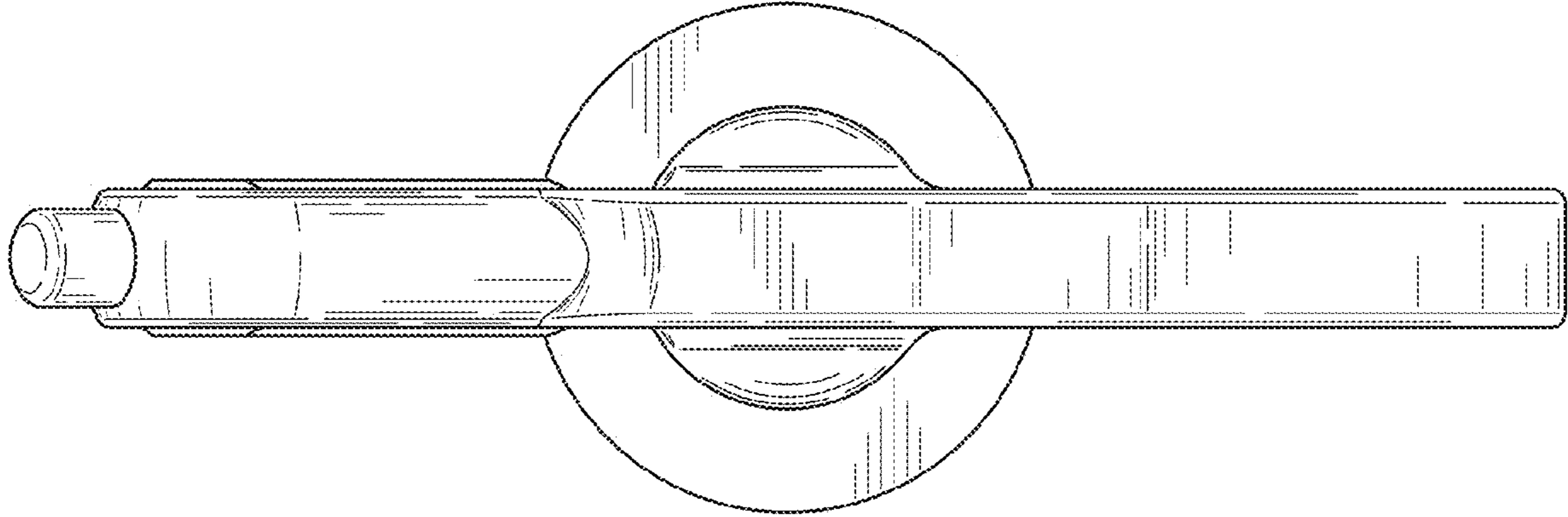


FIG. 6

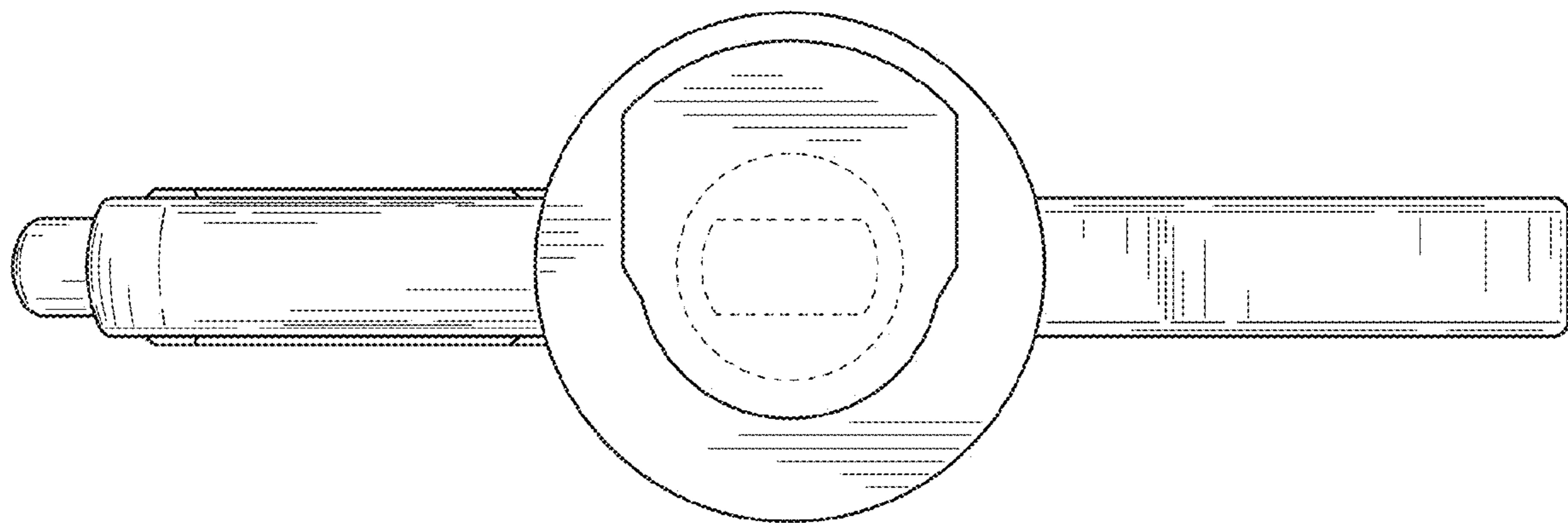


FIG. 7

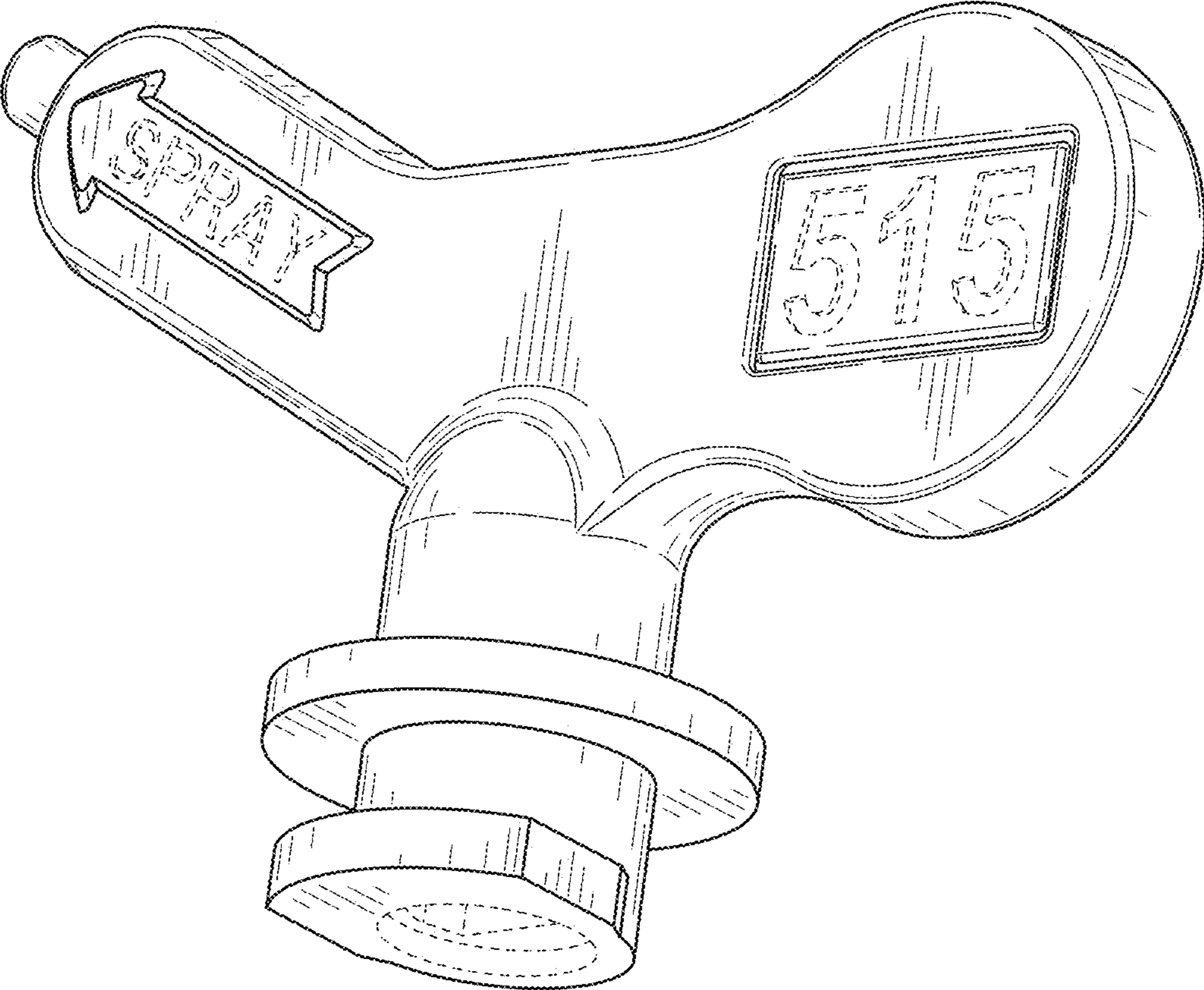


FIG. 8