

US00D925694S

(12) **United States Design Patent** (10) **Patent No.:** **US D925,694 S**
Sugawara et al. (45) **Date of Patent:** **** Jul. 20, 2021**

(54) **CARTRIDGE FOR FLUID EMITTING DEVICE**

D587,361 S * 2/2009 Sakairi D23/365
 D637,267 S 5/2011 Suzuki et al.
 D681,807 S 5/2013 Niedbala et al.

(71) Applicant: **KAO CORPORATION**, Tokyo (JP)

(Continued)

(72) Inventors: **Hirokatsu Sugawara**, Cincinnati, OH (US); **Ryan Forsthoefel**, Dayton, OH (US); **Michael Edward Philip Russell**, Cambridgeshire (GB); **Carl Gordon Hewett**, Cambridgeshire (GB)

FOREIGN PATENT DOCUMENTS

EP 0 523 964 A1 1/1993
 JP 1219345 S 10/2004

(Continued)

(73) Assignee: **KAO CORPORATION**, Tokyo (JP)

OTHER PUBLICATIONS

(**) Term: **15 Years**

U.S. Appl. No. 16/195,287, filed Nov. 19, 2018, Hirokatsu Sugawara, et al.

(21) Appl. No.: **29/659,720**

(Continued)

(22) Filed: **Aug. 10, 2018**

Primary Examiner — John A Voytek

(51) **LOC (13) Cl.** **23-01**

(74) *Attorney, Agent, or Firm* — Oblon, McClelland, Maier & Neustadt, L.L.P.

(52) **U.S. Cl.**

USPC **D23/209**

(58) **Field of Classification Search**

USPC D23/200, 201, 202, 207, 209, 260, 261,
 D23/262, 366; D7/412, 414; D32/35;
 D18/56

CPC B01D 35/30; B01D 35/153; B01D 35/306;
 B01D 2201/30; B01D 2201/29; B01D
 24/10; B01D 36/02; B01D 29/035; B01D
 29/0009; C02F 1/002; C02F 1/003

See application file for complete search history.

(57) **CLAIM**

The ornamental design for cartridge for fluid emitting device, as shown and described.

DESCRIPTION

FIG. 1 is a front, left side, top perspective view of a cartridge for fluid emitting device showing our new design;
 FIG. 2 is a front elevational view thereof;
 FIG. 3 is a rear elevational view thereof;
 FIG. 4 is a left side view thereof;
 FIG. 5 is a right side view thereof;
 FIG. 6 is a top plan view thereof;
 FIG. 7 is a bottom plan view thereof; and,
 FIG. 8 is a reference perspective view thereof, showing a state in which this article is used.

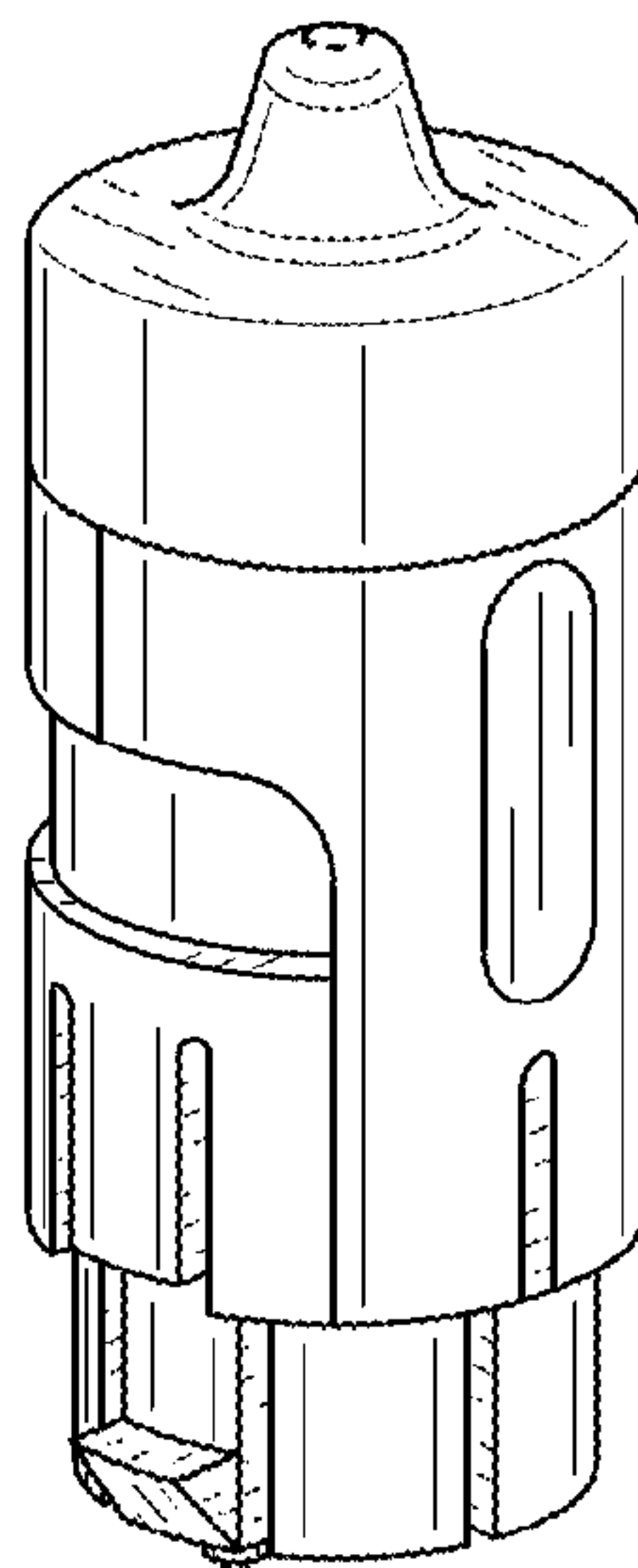
In the drawings, the broken lines depict environmental structure that form no part of the claimed design.

1 Claim, 4 Drawing Sheets

(56) **References Cited**

U.S. PATENT DOCUMENTS

6,311,903 B1 11/2001 Gaw et al.
 6,318,647 B1 11/2001 Gaw et al.
 6,563,312 B2 * 5/2003 Saho F17C 3/085
 324/248
 D497,407 S 10/2004 Mather
 6,814,318 B2 11/2004 Wilson et al.
 D512,482 S 12/2005 Utter et al.
 D544,070 S * 6/2007 Flor D23/209
 D552,716 S * 10/2007 Chastine D23/233



(56)

References Cited

U.S. PATENT DOCUMENTS

D704,799	S	5/2014	Crawley	
D816,158	S *	4/2018	Yoshii	D18/56
D824,441	S *	7/2018	Fenton	D15/144.2
D841,776	S *	2/2019	Smith	D23/209
10,279,934	B2 *	5/2019	Christensen	B65B 3/18
D853,185	S *	7/2019	Tapocik	D7/397
D855,105	S *	7/2019	Uesugi	D18/40
D857,165	S *	8/2019	Fukuhara	D23/235
D861,978	S *	10/2019	Lai	D27/167
D865,521	S *	11/2019	Ishizawa	D9/453
D904,562	S *	12/2020	Stewart	D23/213
D904,565	S *	12/2020	Ross	D23/213
2018/0153220	A1 *	6/2018	Verleur	H05B 3/46

FOREIGN PATENT DOCUMENTS

JP	1229890	S	2/2005
JP	1274824	S	6/2006
JP	1329467	S	5/2008
JP	1331760	S	6/2008
JP	1350136	S	2/2009
JP	1358194	S	5/2009
JP	1390133	S	6/2010
JP	1403186	S	12/2010
JP	1522209	S	4/2015
JP	1549491	S	5/2016
JP	1568910	S	2/2017
JP	1583791	S	8/2017

OTHER PUBLICATIONS

U.S. Appl. No. 16/195,229, filed Nov. 19, 2018, Hirokatsu Sugawara, et al.

* cited by examiner

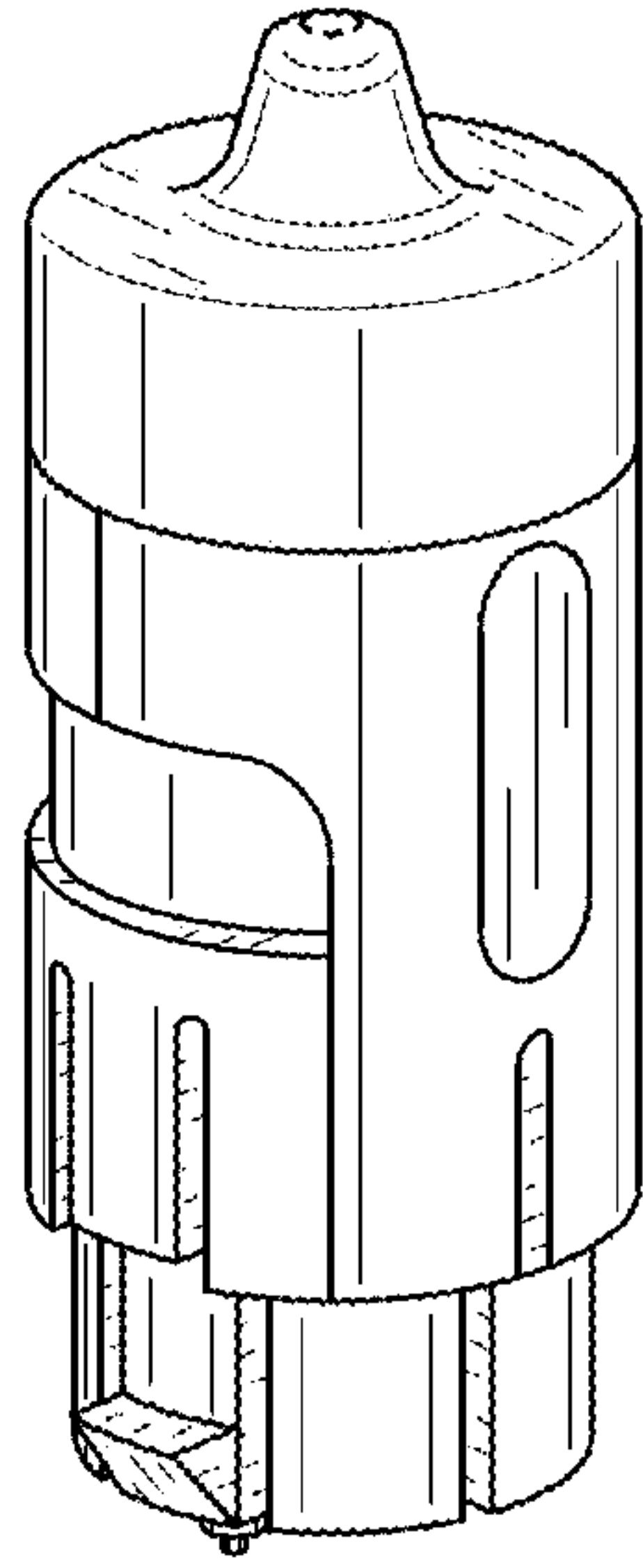


FIG. 1

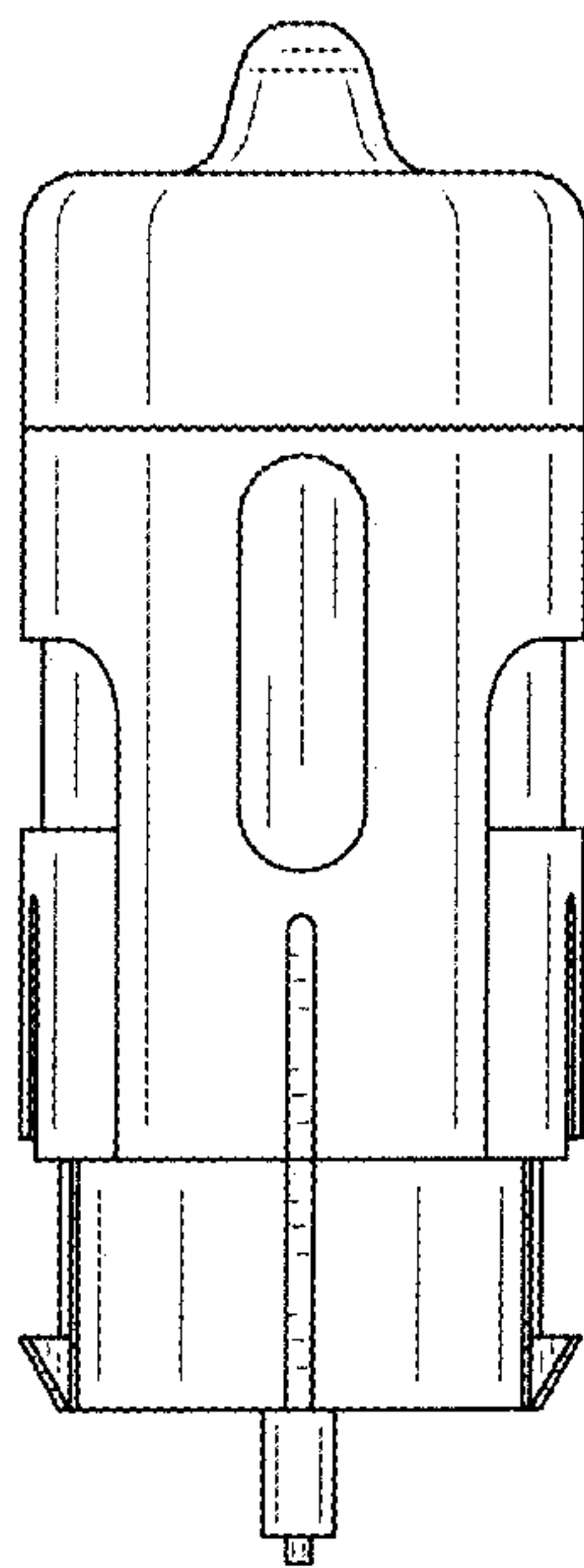


FIG. 2

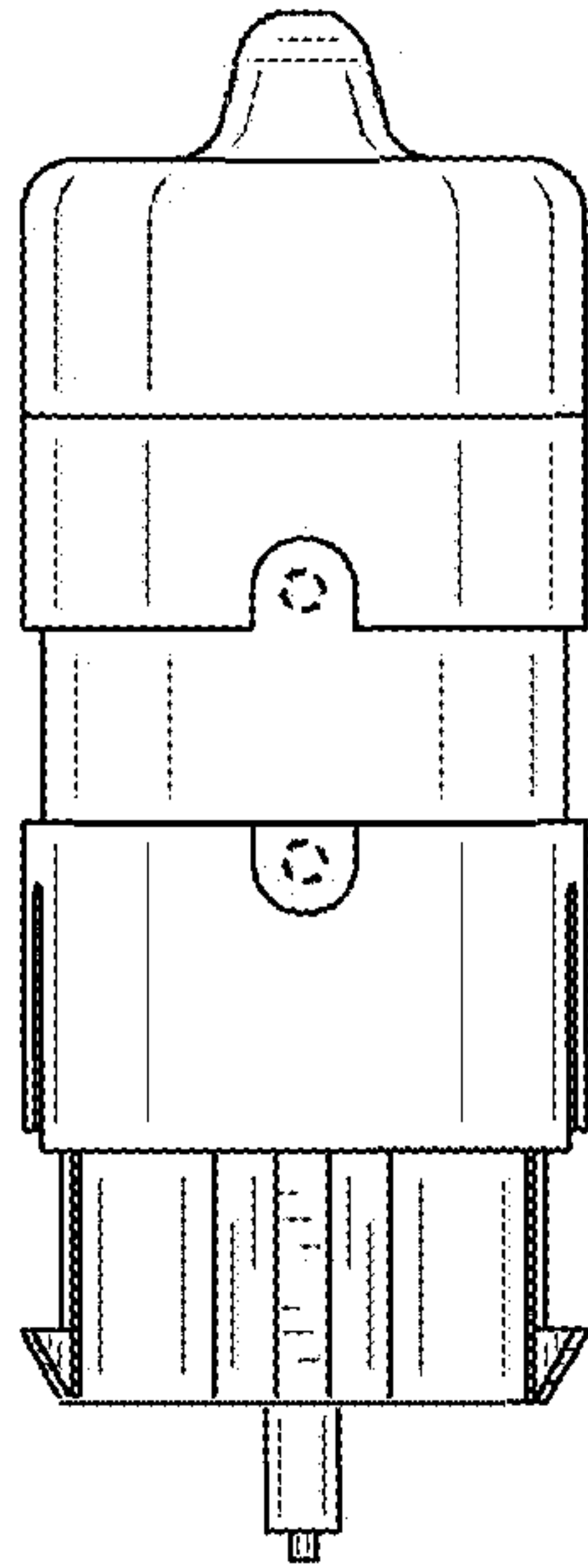


FIG. 3

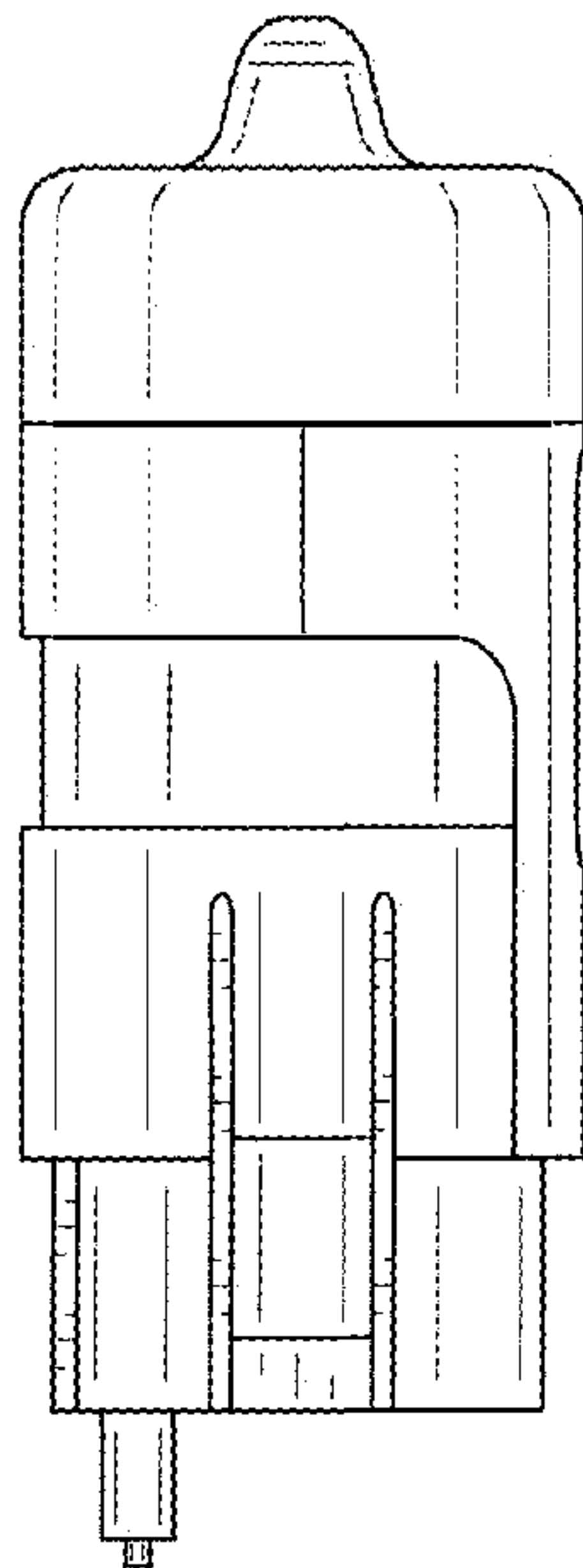


FIG. 4

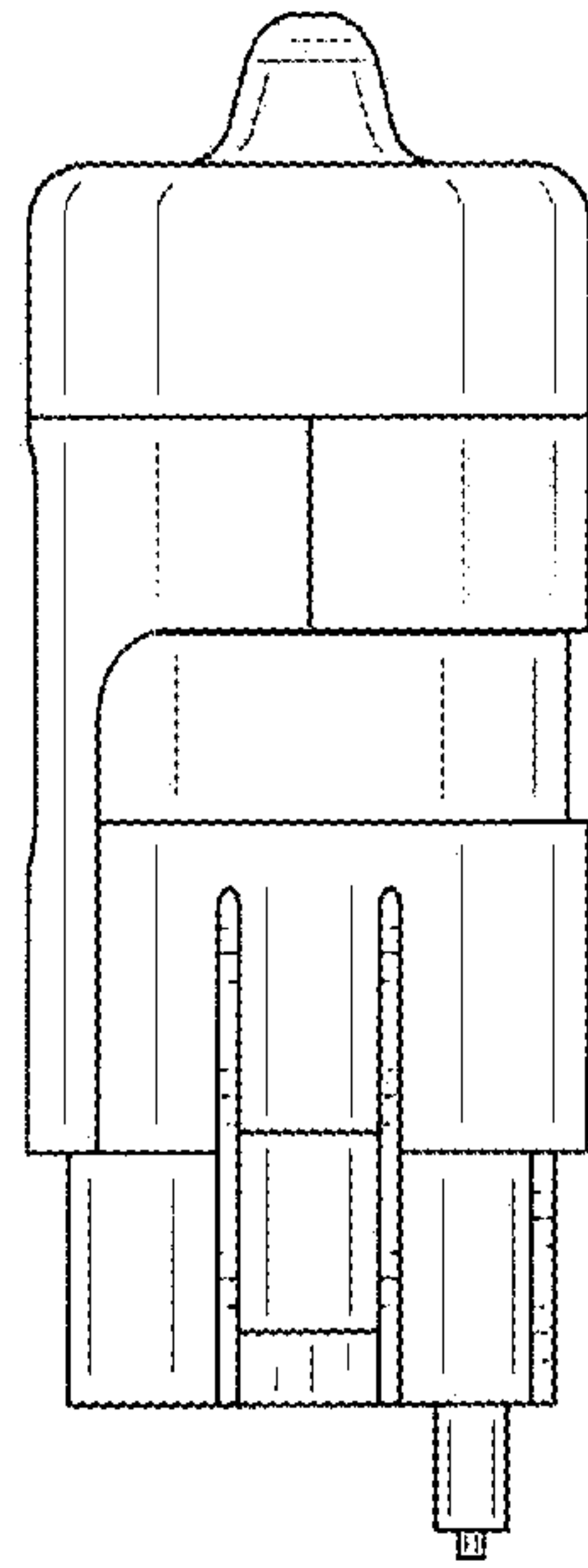


FIG. 5

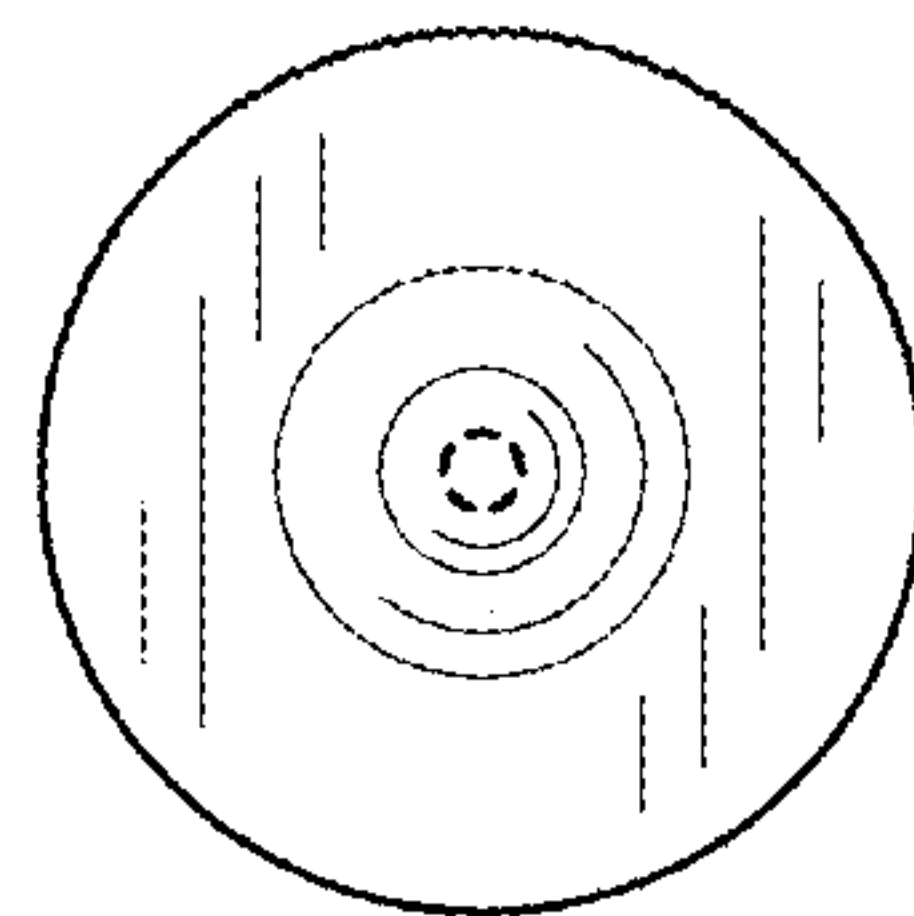


FIG. 6

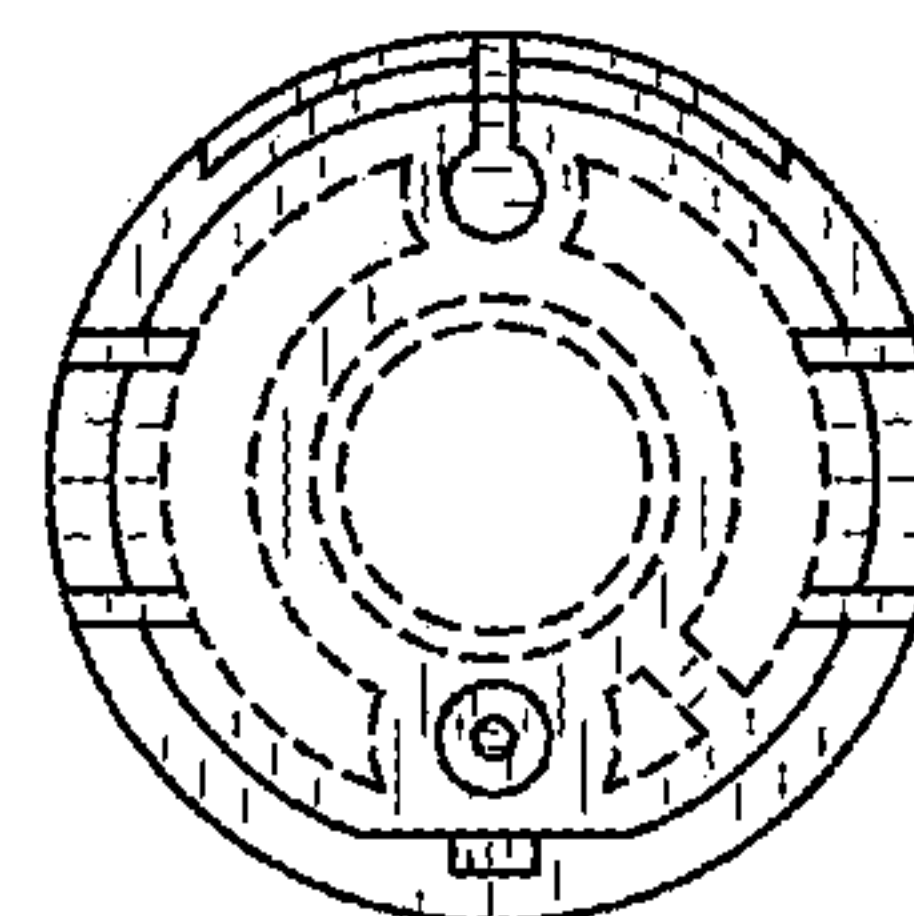


FIG. 7

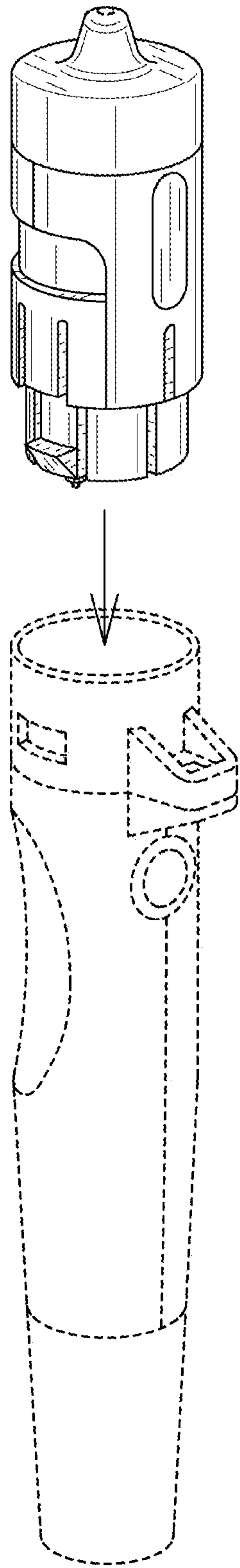


FIG. 8