



US00D925693S

(12) **United States Design Patent**
Guy et al.

(10) **Patent No.:** **US D925,693 S**

(45) **Date of Patent:** **** Jul. 20, 2021**

(54) **DISPENSING CARTRIDGE HOLDER**

(71) Applicant: **King Technology Inc.**, Hopkins, MN (US)

(72) Inventors: **David Guy**, Maple Grove, MN (US);
Jeffrey D Johnson, Edina, MN (US);
Paul Freeberg, St. Paul, MN (US);
Terry Goeman, Minnetonka, MN (US);
Lyle Enderson, Maple Grove, MN (US);
Darrin M Swagel, Minnetonka, MN (US);
Eric Barton, Eden Prairie, MN (US)

(73) Assignee: **KING TECHNOLOGY INC**, Hopkins, MN (US)

(**) Term: **15 Years**

(21) Appl. No.: **29/651,796**

(22) Filed: **Mar. 15, 2019**

(51) **LOC (13) Cl.** **23-01**

(52) **U.S. Cl.**
USPC **D23/208**

(58) **Field of Classification Search**
USPC D23/200, 202, 207-210; D6/512, 542,
D6/52, 53; D7/306-308, 600.1; D8/1,
D8/391, 448, 7; D9/439, 454
CPC B01D 5/006; B01D 35/30; B01D 35/306;
B09C 2101/00
See application file for complete search history.

(56) **References Cited**

U.S. PATENT DOCUMENTS

4,749,112 A * 6/1988 Harper A47G 23/0225
224/553

D367,999 S * 3/1996 McCallum D6/553
D373,520 S * 9/1996 King, Jr. D8/354
D637,457 S * 5/2011 Thompson D7/600.1
D684,104 S * 6/2013 Goldman D12/411
D727,656 S * 4/2015 Lim D6/553
D766,617 S * 9/2016 Hochman D6/553
D855,408 S * 8/2019 Tsai D7/600.1
D897,792 S * 10/2020 Yuen A47G 23/0225
D7/701

* cited by examiner

Primary Examiner — Sheryl Lane

Assistant Examiner — Calvin E Vansant

(74) *Attorney, Agent, or Firm* — Johnson & Phung LLC

(57) **CLAIM**

The ornamental design for a dispensing cartridge holder, as shown and described.

DESCRIPTION

FIG. 1 is a front perspective view of a dispensing cartridge holder showing our new design for use in a spa or a hot tub filter well;
FIG. 2 is front side elevation thereof;
FIG. 3 is a left side elevation thereof;
FIG. 4 is a backside elevation view thereof
FIG. 5 is a right side elevation thereof;
FIG. 6 is top plan view thereof; and,
FIG. 7 is a bottom plan view thereof.

1 Claim, 3 Drawing Sheets

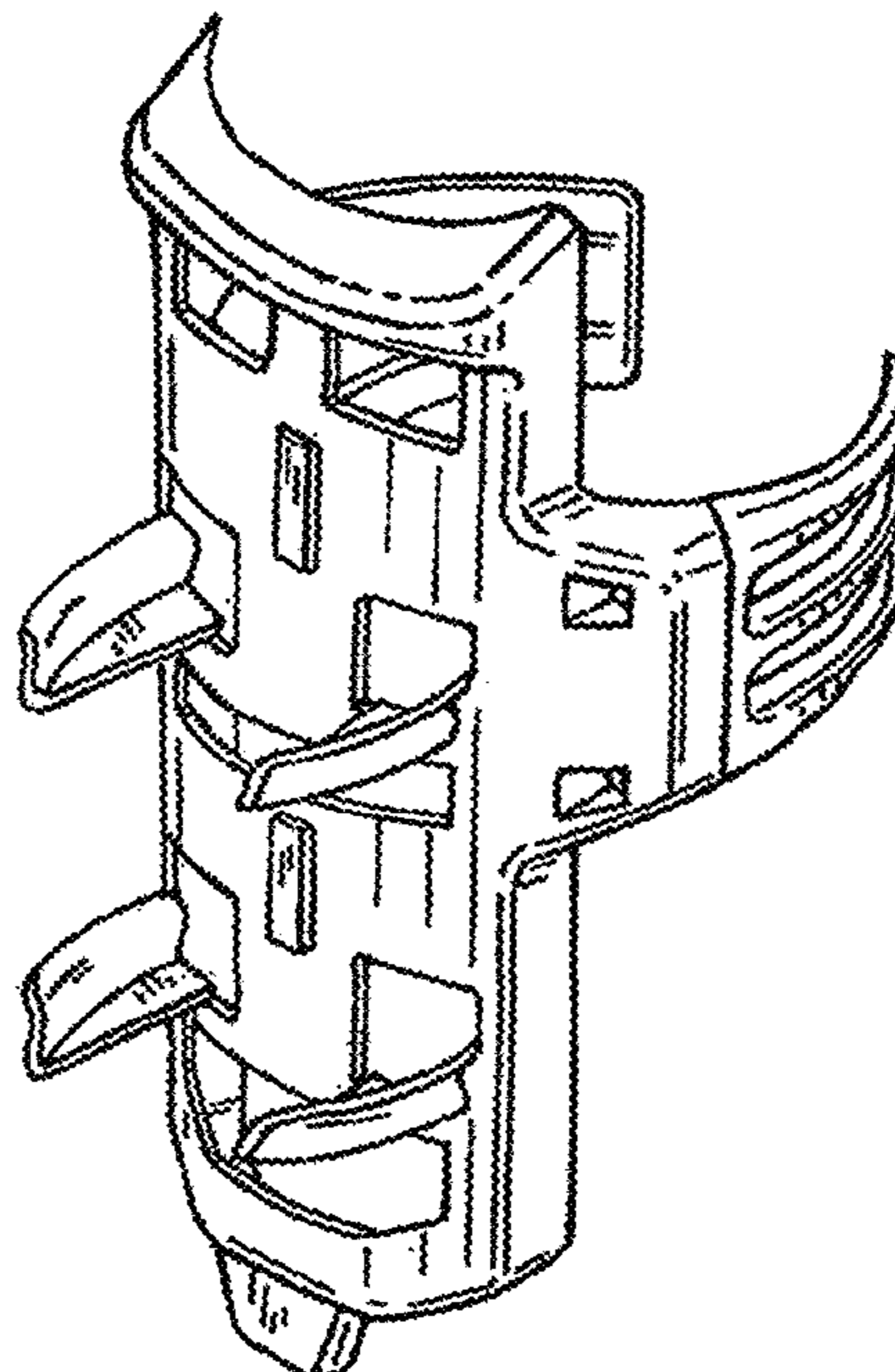


FIG. 1

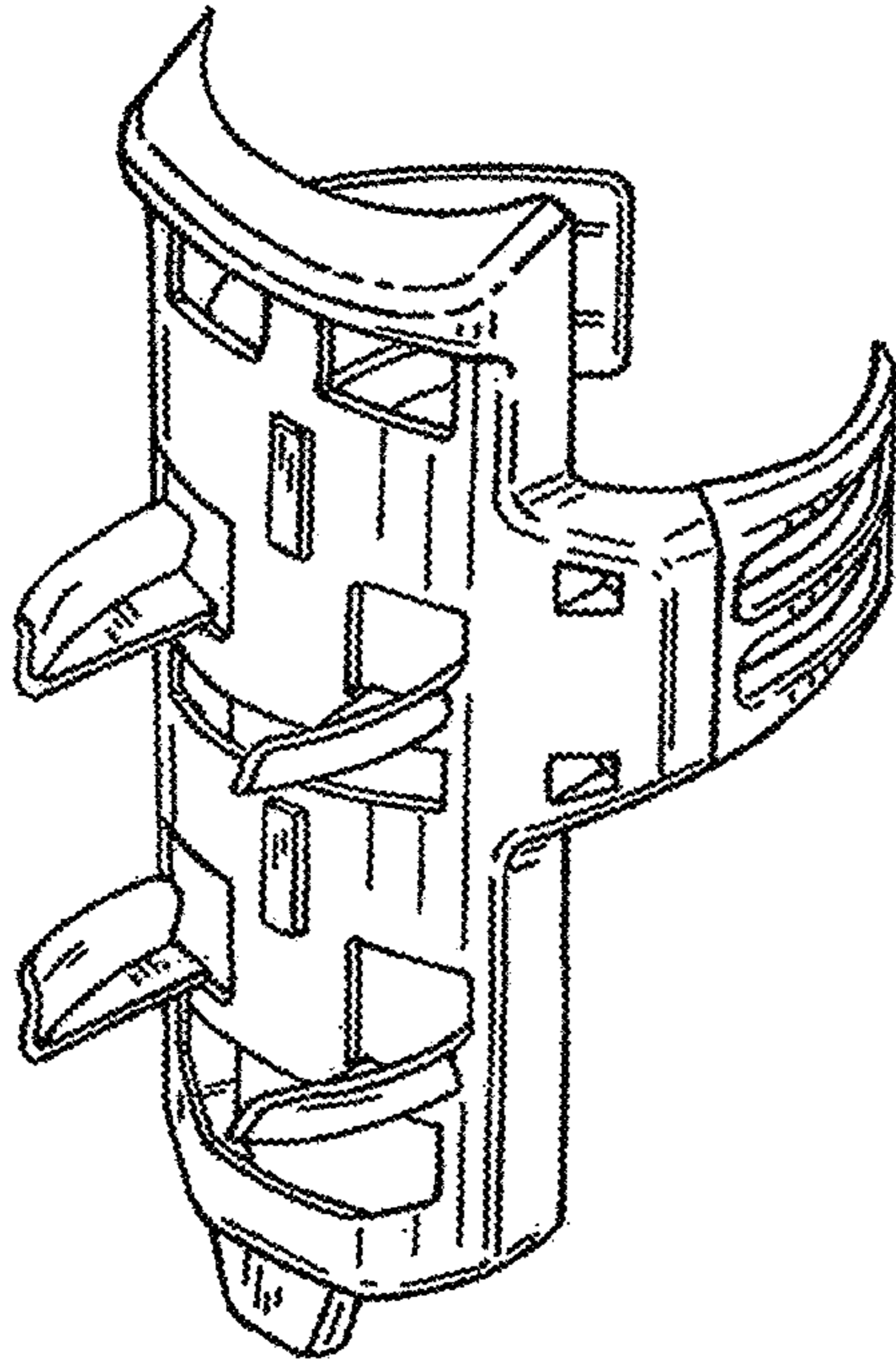


FIG. 2

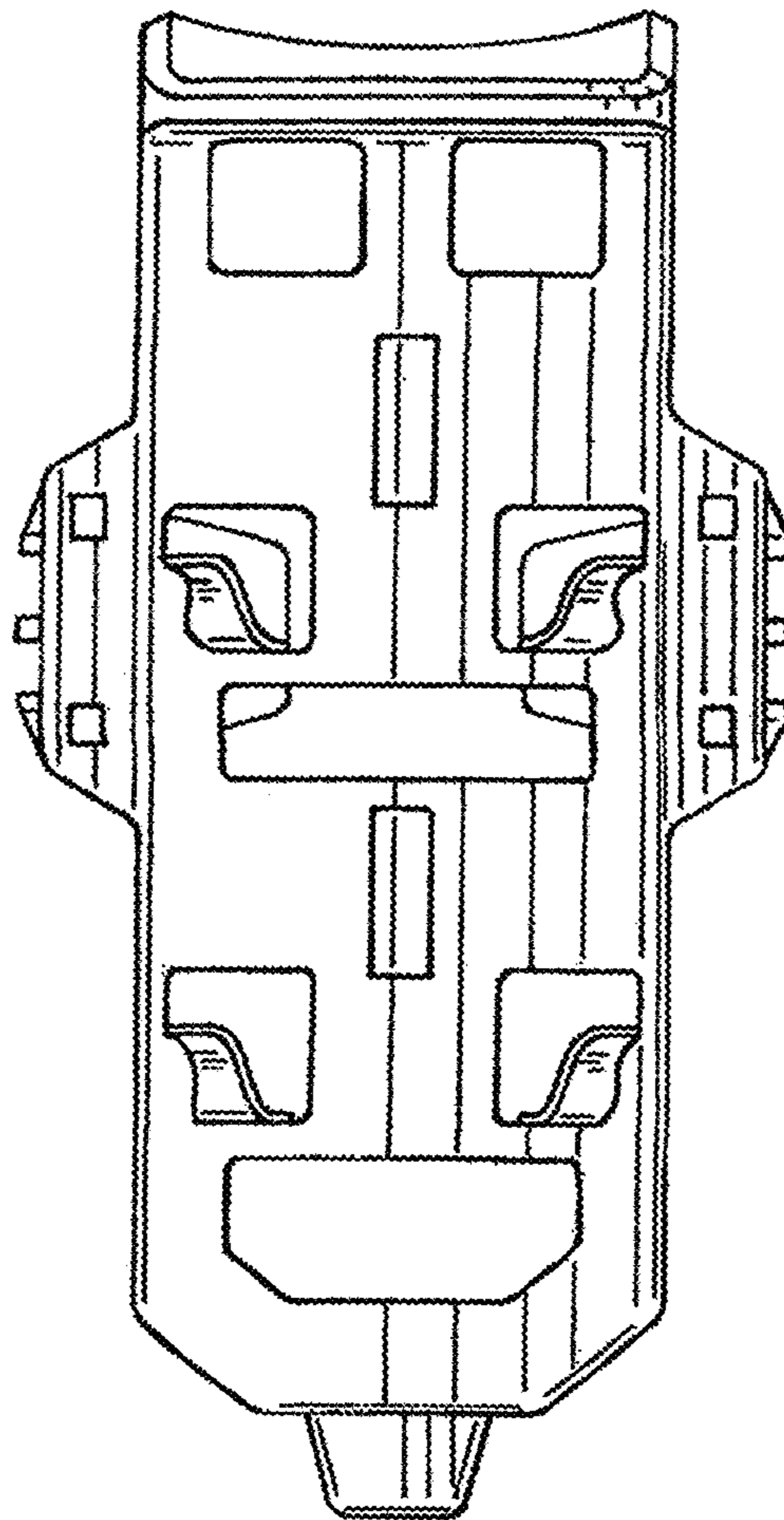


FIG. 3

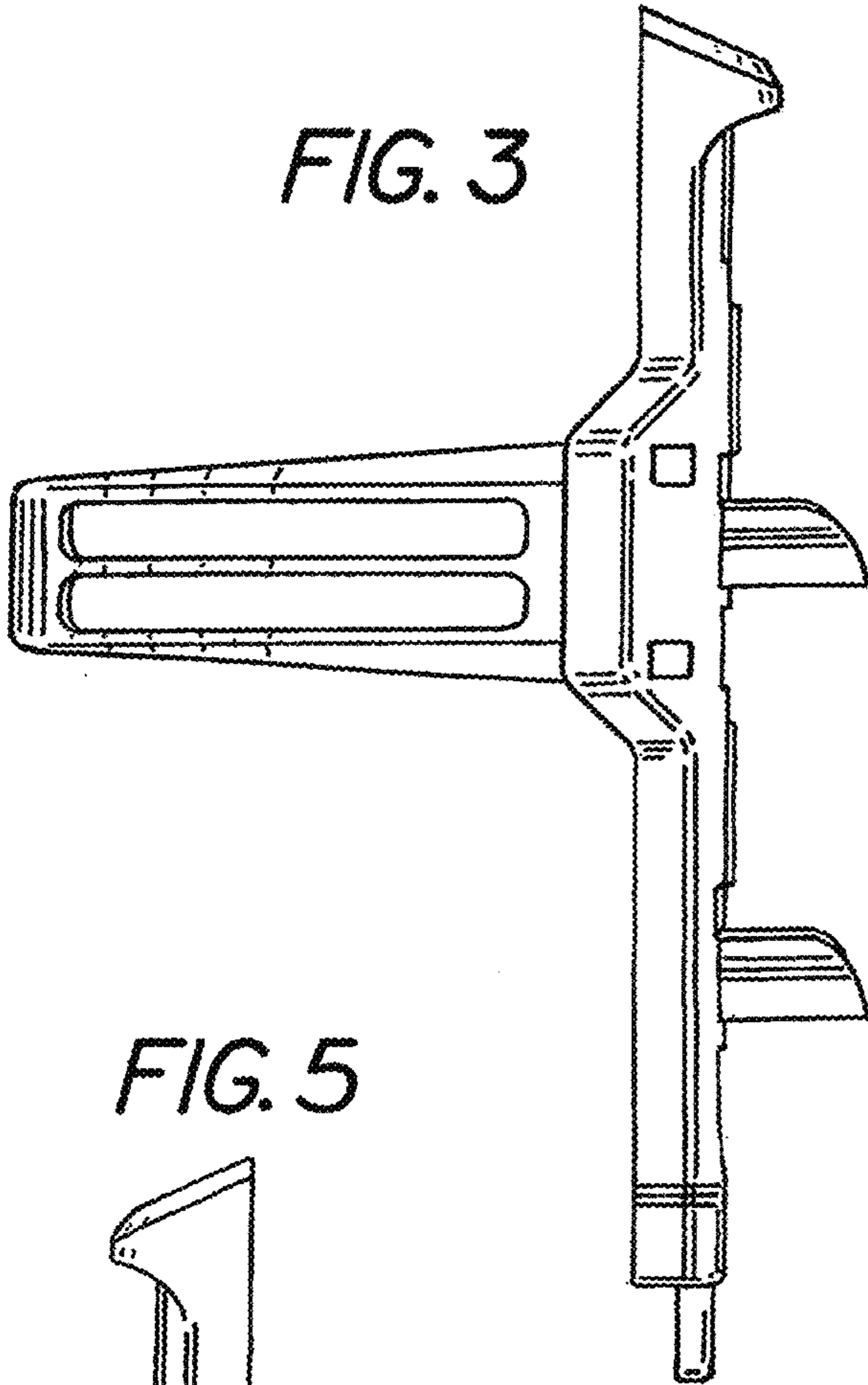


FIG. 4

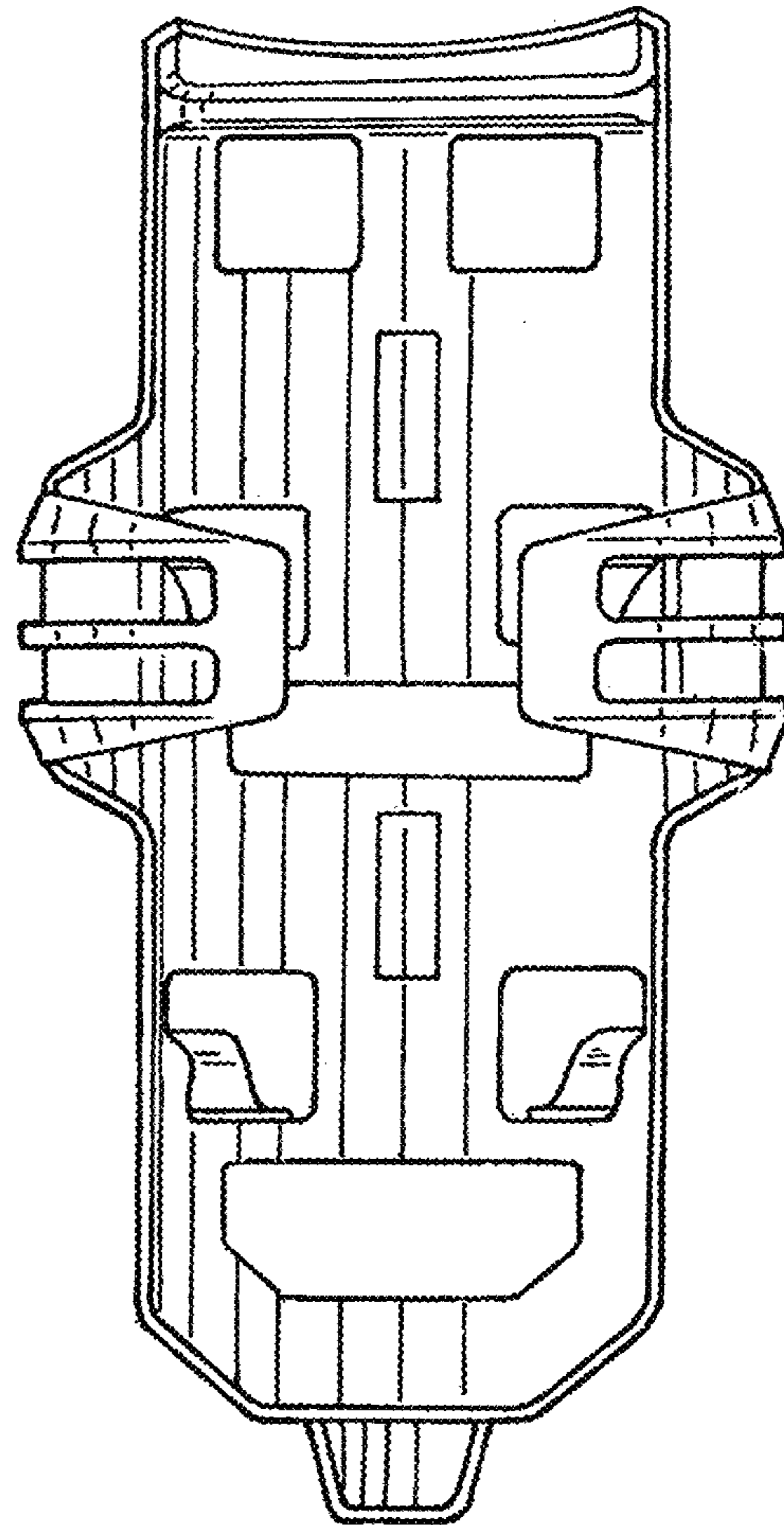


FIG. 5

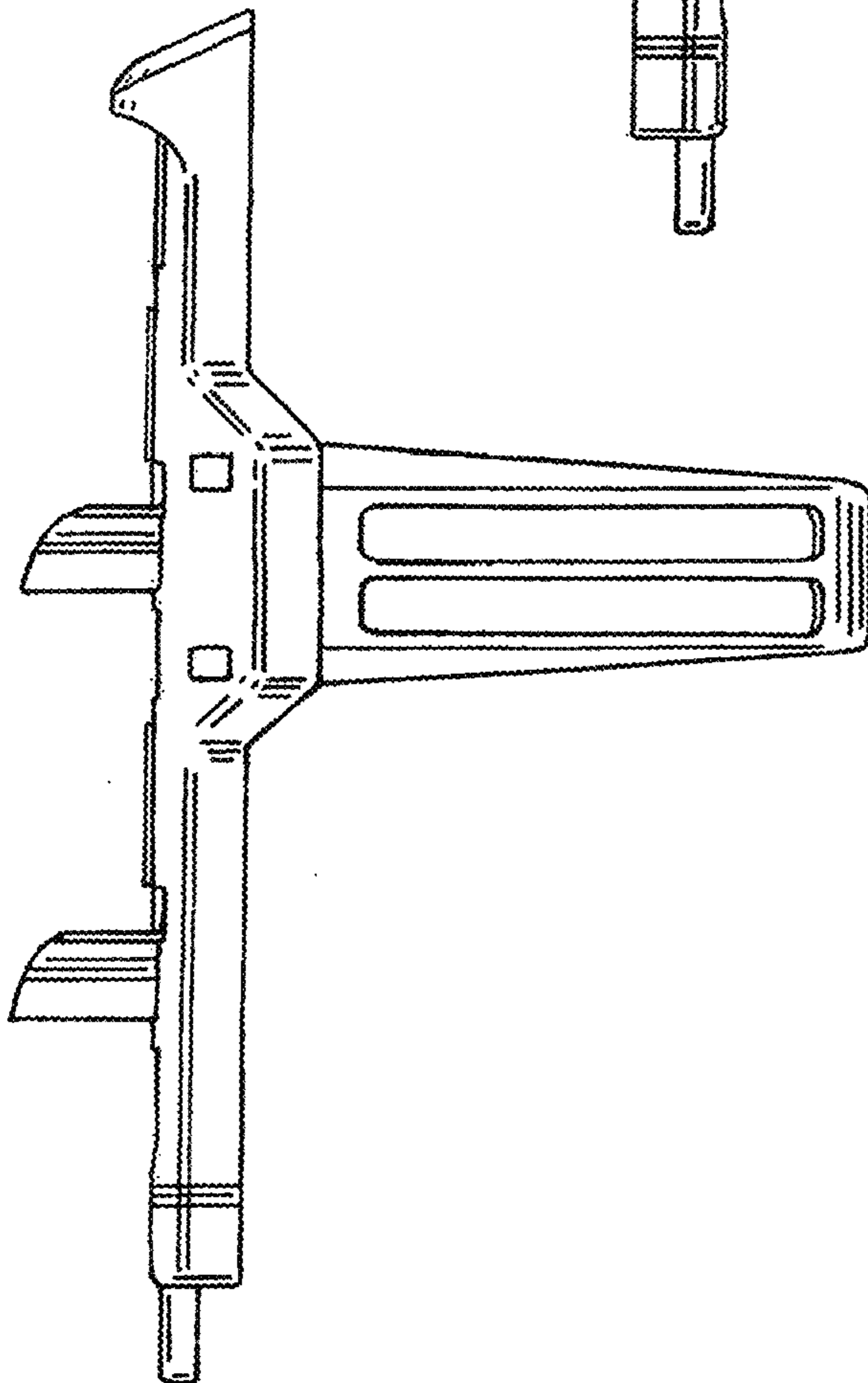


FIG. 6

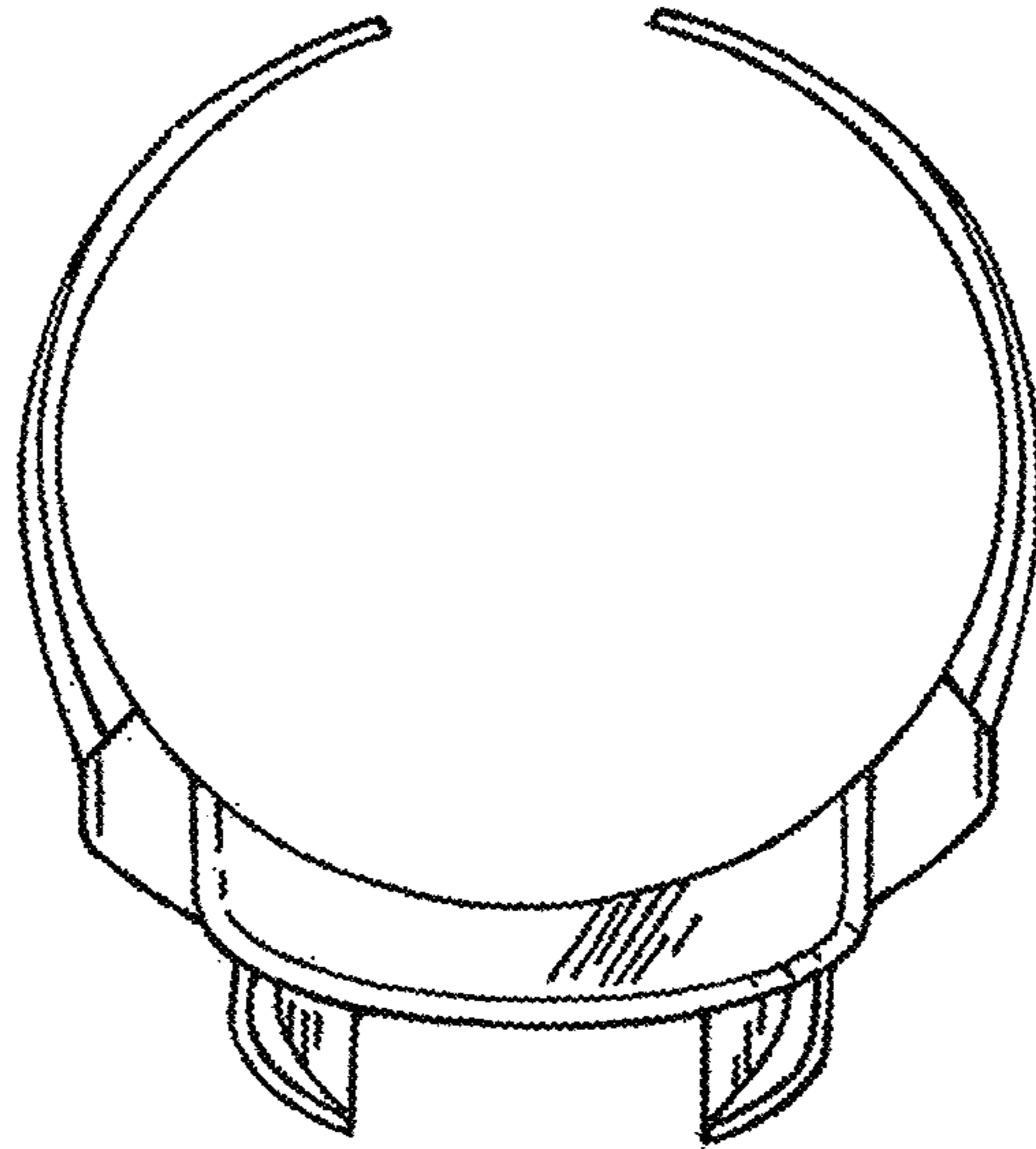


FIG. 7

