



US00D925692S

(12) **United States Design Patent** (10) **Patent No.:** **US D925,692 S**
Huang (45) **Date of Patent:** **** Jul. 20, 2021**

- (54) **FLY SWATTER**
- (71) Applicant: **GUANGZHOU LIUDIENBAN TRADING CO., LTD.**, Guangzhou (CN)
- (72) Inventor: **Yuan Huang**, Guangzhou (CN)
- (73) Assignee: **GUANGZHOU LIUDIENBAN TRADING CO., LTD.**, Guangzhou (CN)
- (**) Term: **15 Years**
- (21) Appl. No.: **29/761,559**
- (22) Filed: **Dec. 10, 2020**
- (51) **LOC (13) Cl.** **22-06**
- (52) **U.S. Cl.**
USPC **D22/124**
- (58) **Field of Classification Search**
USPC D22/124, 120; 43/112, 137; D21/725, D21/729
CPC A01M 29/00; A01M 29/34; A01M 3/025
See application file for complete search history.

- (56) **References Cited**
- U.S. PATENT DOCUMENTS
- | | | | |
|-------------------|---------|-----------|----------------------|
| D415,814 S | 10/1999 | Re | |
| D426,280 S | 6/2000 | Nelson | |
| D514,657 S | 2/2006 | Carlton | |
| D516,159 S | 2/2006 | Himberger | |
| D540,415 S * | 4/2007 | Zemel | D22/124 |
| 8,181,385 B2 * | 5/2012 | Mars | A01M 3/025
43/112 |
| D712,004 S | 8/2014 | Palmer | |
| D816,183 S | 4/2018 | Mahiques | |
| D875,878 S | 2/2020 | Bibeau | |
| 2009/0272026 A1 * | 11/2009 | Su | A01M 3/025
43/137 |

- | | | | |
|-------------------|--------|-----------|----------------------|
| 2010/0088947 A1 * | 4/2010 | Mars | A01M 3/025
43/112 |
| 2010/0132247 A1 * | 6/2010 | Borovicka | A01M 3/025
43/137 |
| 2010/0162615 A1 * | 7/2010 | Keralla | A01M 3/025
43/112 |

OTHER PUBLICATIONS

Bug Zapper, Mosquito Killer Mosquitoes Lamp & Racket 2 in 1 . . . [https://www.amazon.com/Mosquito-Repellent-Rechargeable-Outdoor-Electric/dp/B08RZ7XZG9/ref=asc_df_B08RZ7XZG9/?tag=hyprod-](https://www.amazon.com/Mosquito-Repellent-Rechargeable-Outdoor-Electric/dp/B08RZ7XZG9/ref=asc_df_B08RZ7XZG9/?tag=hyprod-(Year:2011).*) (Year: 2011).*

20&linkCode=df0&hvadid=475793236502&hvpos=&hvnetw=g&hvrand=12762411015209037596&hvpon=&hvptwo=&hvqmt=&hvdev=c&hvdvcmld=&.*

Electric Fly Swatter . . . <https://homeonestore.com/products/electric-fly-swatter?variant=39267083780275>, date unknown.*

* cited by examiner

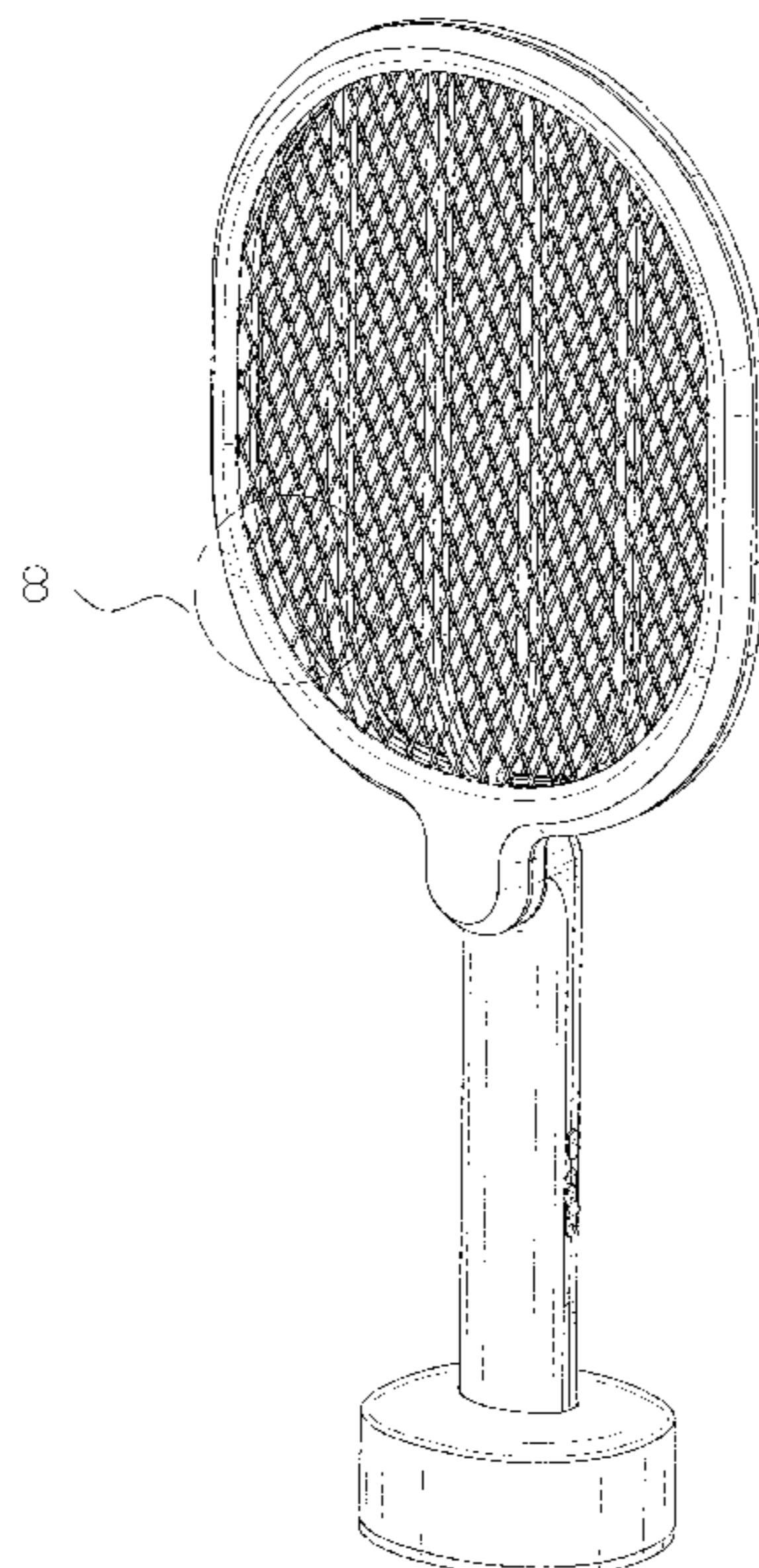
Primary Examiner — Catherine R Oliver-Garcia
 (74) *Attorney, Agent, or Firm* — Law Offices of Steven W. Weinrieb

(57) **CLAIM**
 The ornamental design for a fly swatter, as shown and described.

DESCRIPTION

FIG. 1 is a front, right side, top perspective view of a fly swatter showing my new design;
 FIG. 2 is a front elevational view thereof;
 FIG. 3 is a rear elevational view thereof;
 FIG. 4 is a left side elevational view thereof;
 FIG. 5 is a right side elevational view thereof;
 FIG. 6 is a top plan view thereof; and
 FIG. 7 is a bottom plan view thereof; and,
 FIG. 8 is an enlarged detailed view of the encircled region 8 shown in FIG. 1.
 The broken lines depict portions of the fly swatter that form no part of the claimed design.

1 Claim, 8 Drawing Sheets



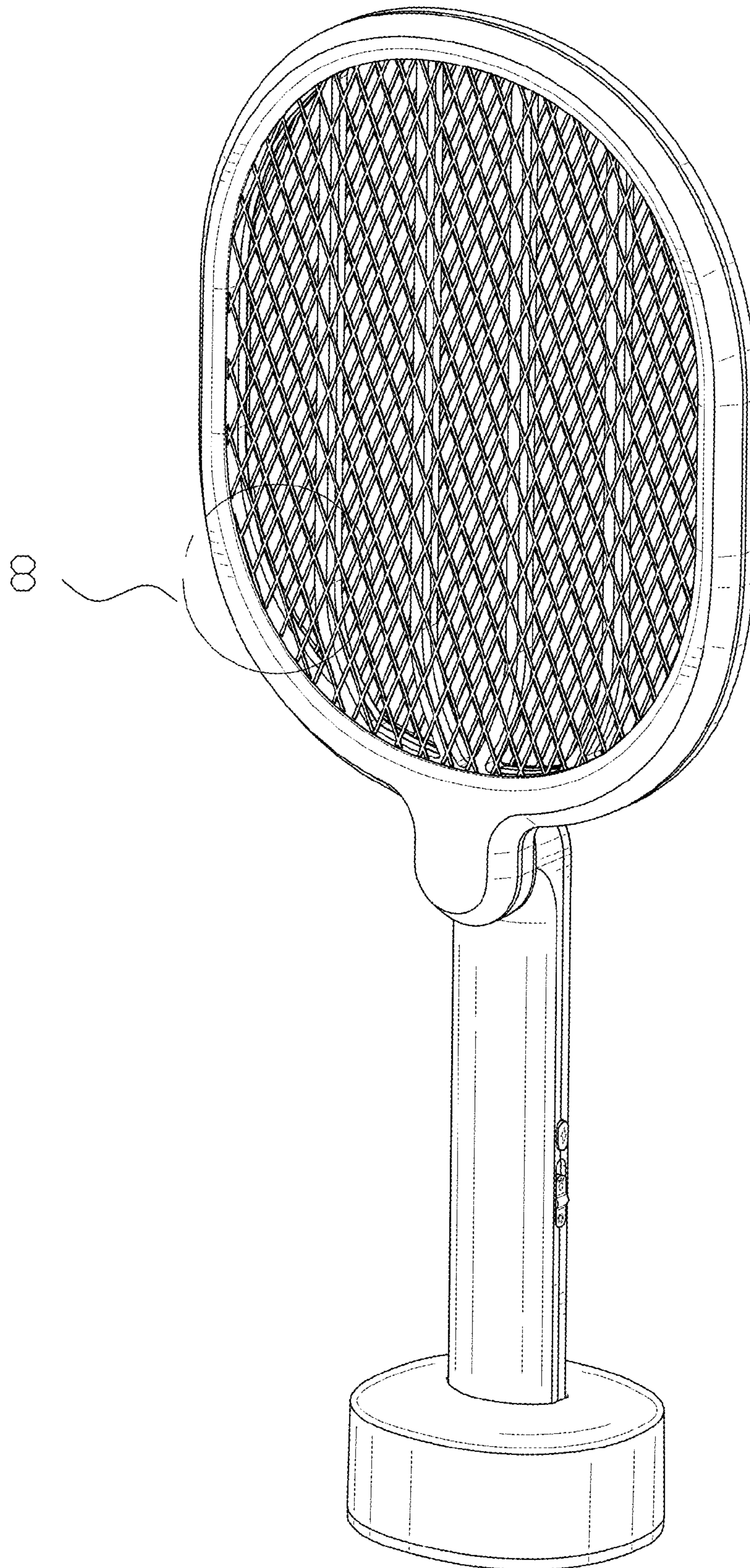


FIG.1

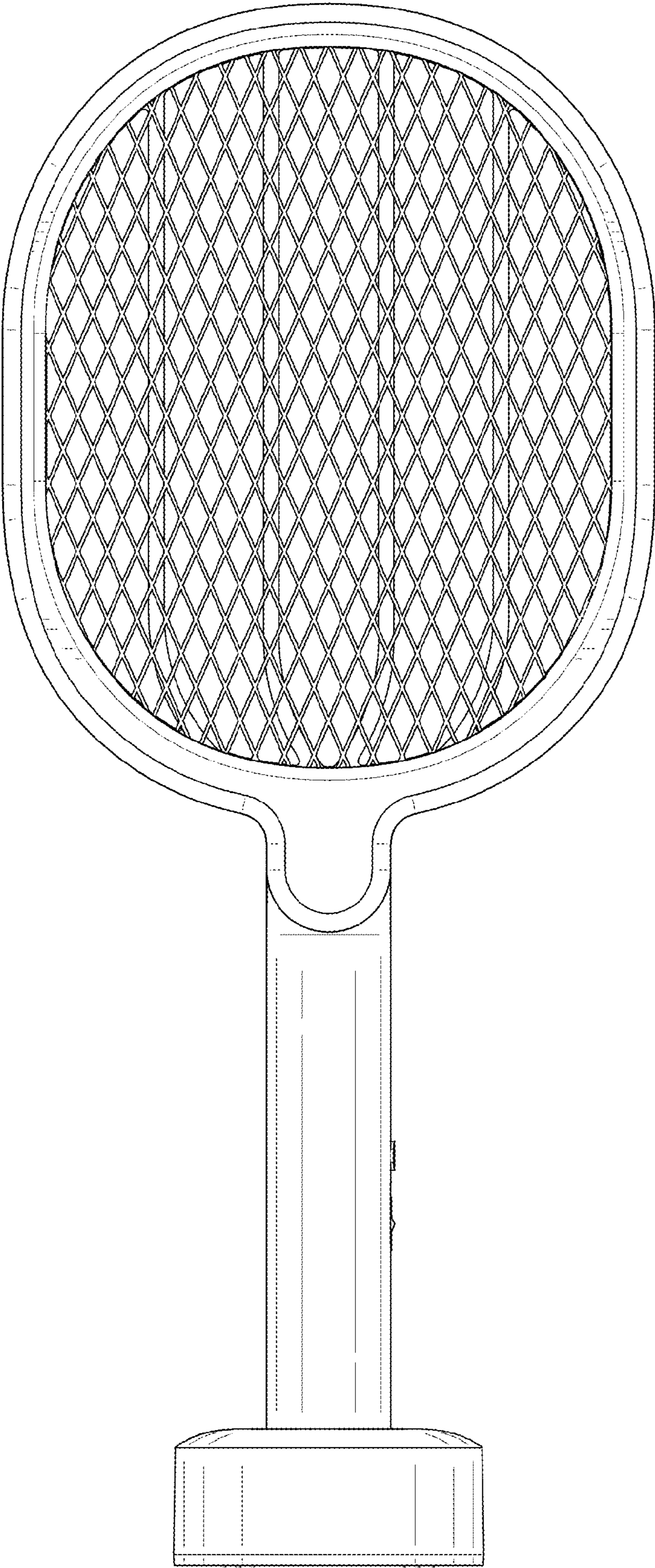


FIG. 2

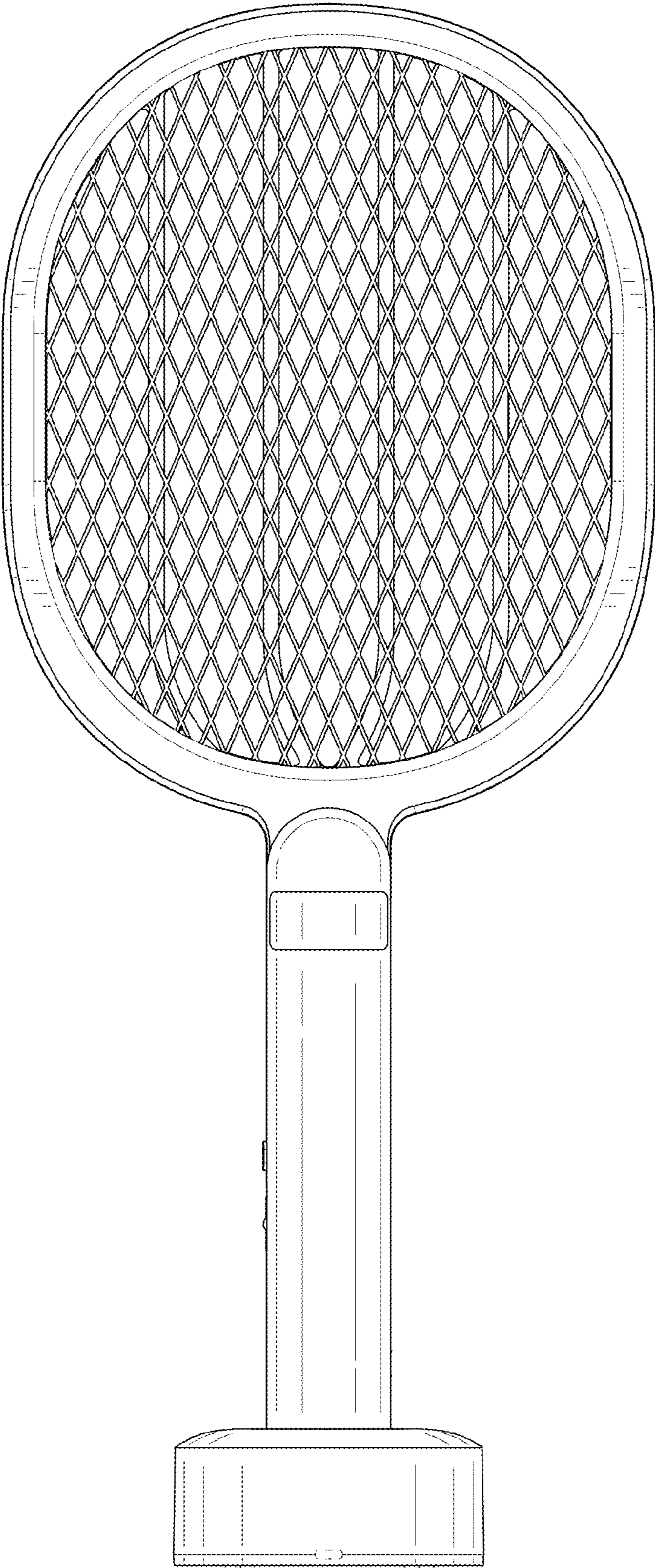


FIG.3

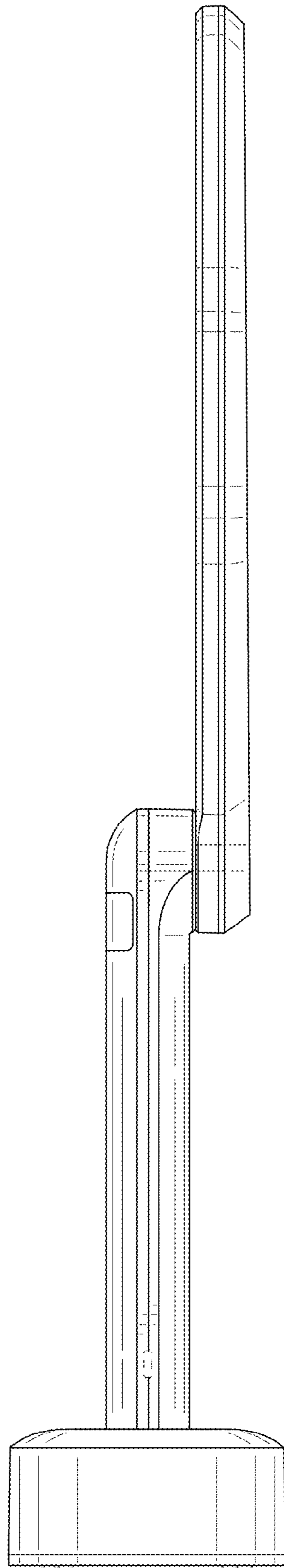


FIG.4

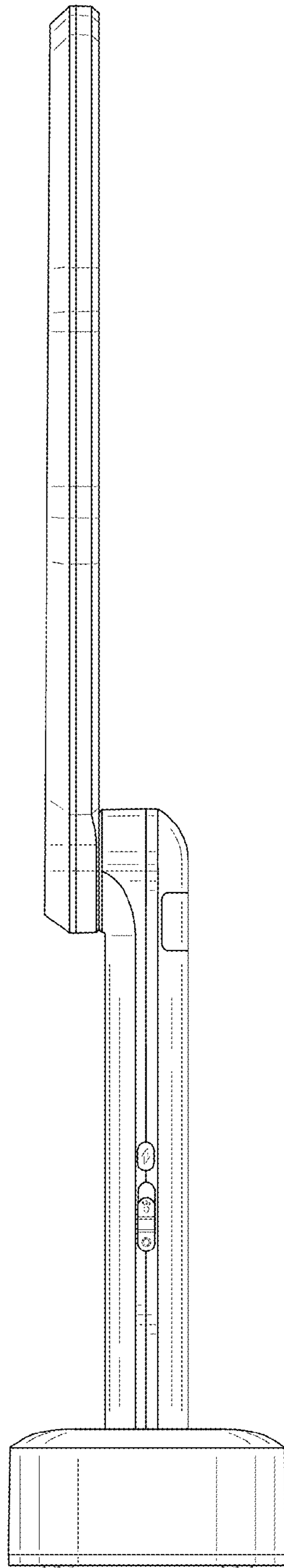


FIG.5

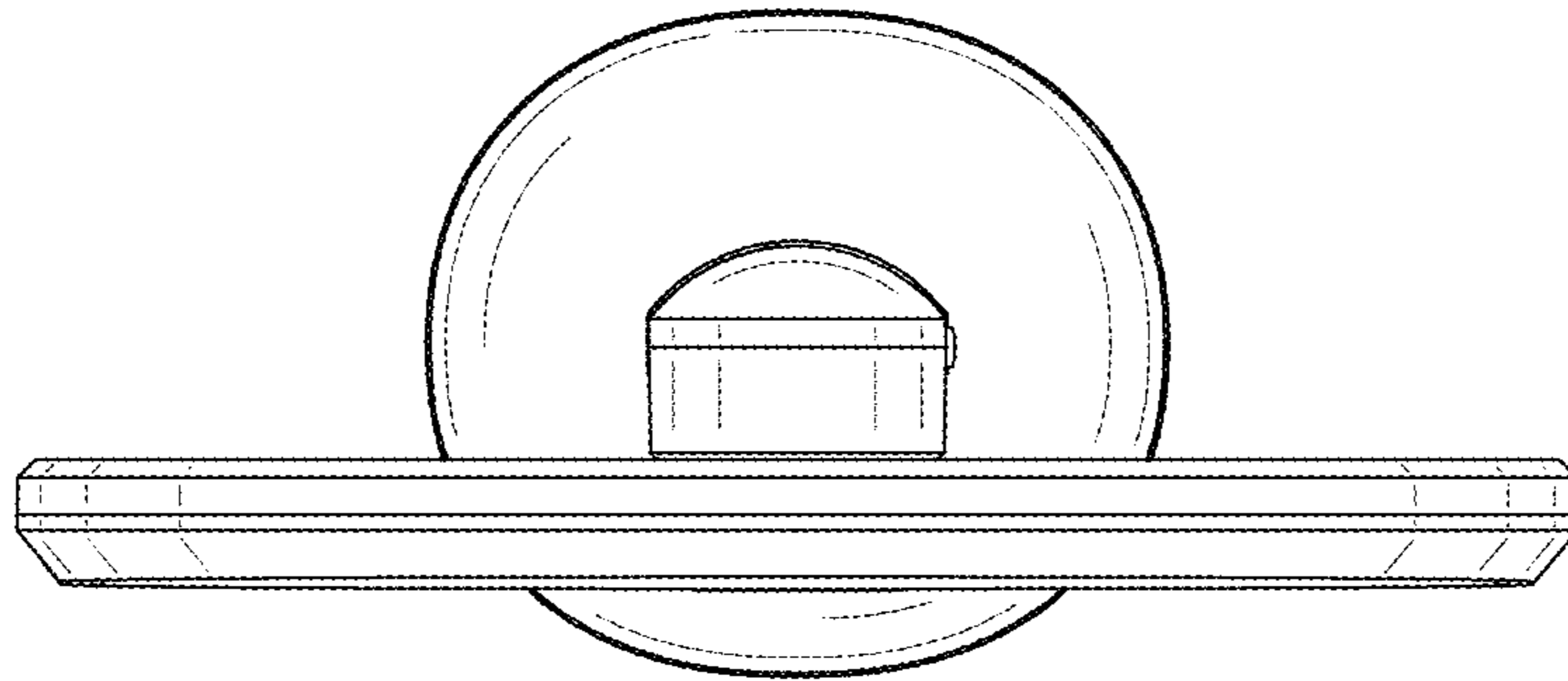


FIG. 6

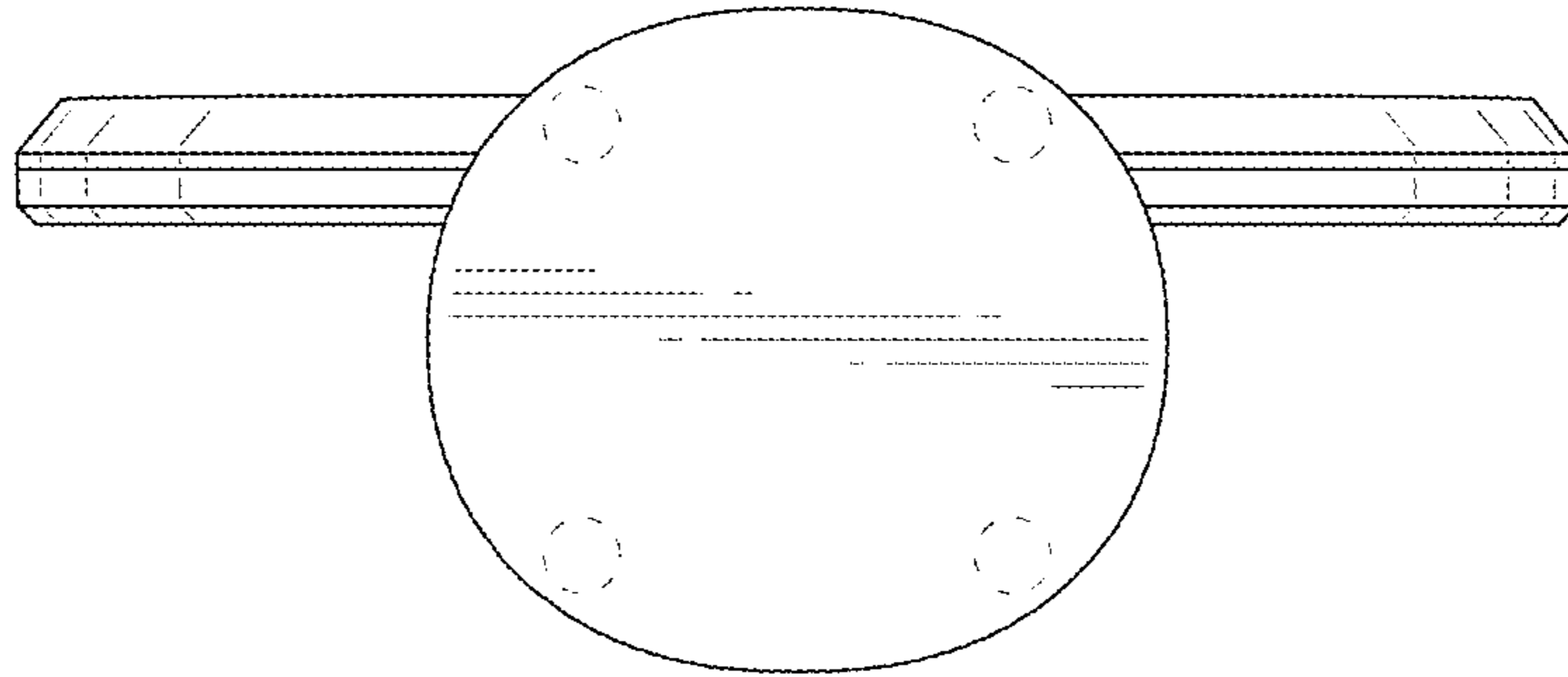


FIG.7

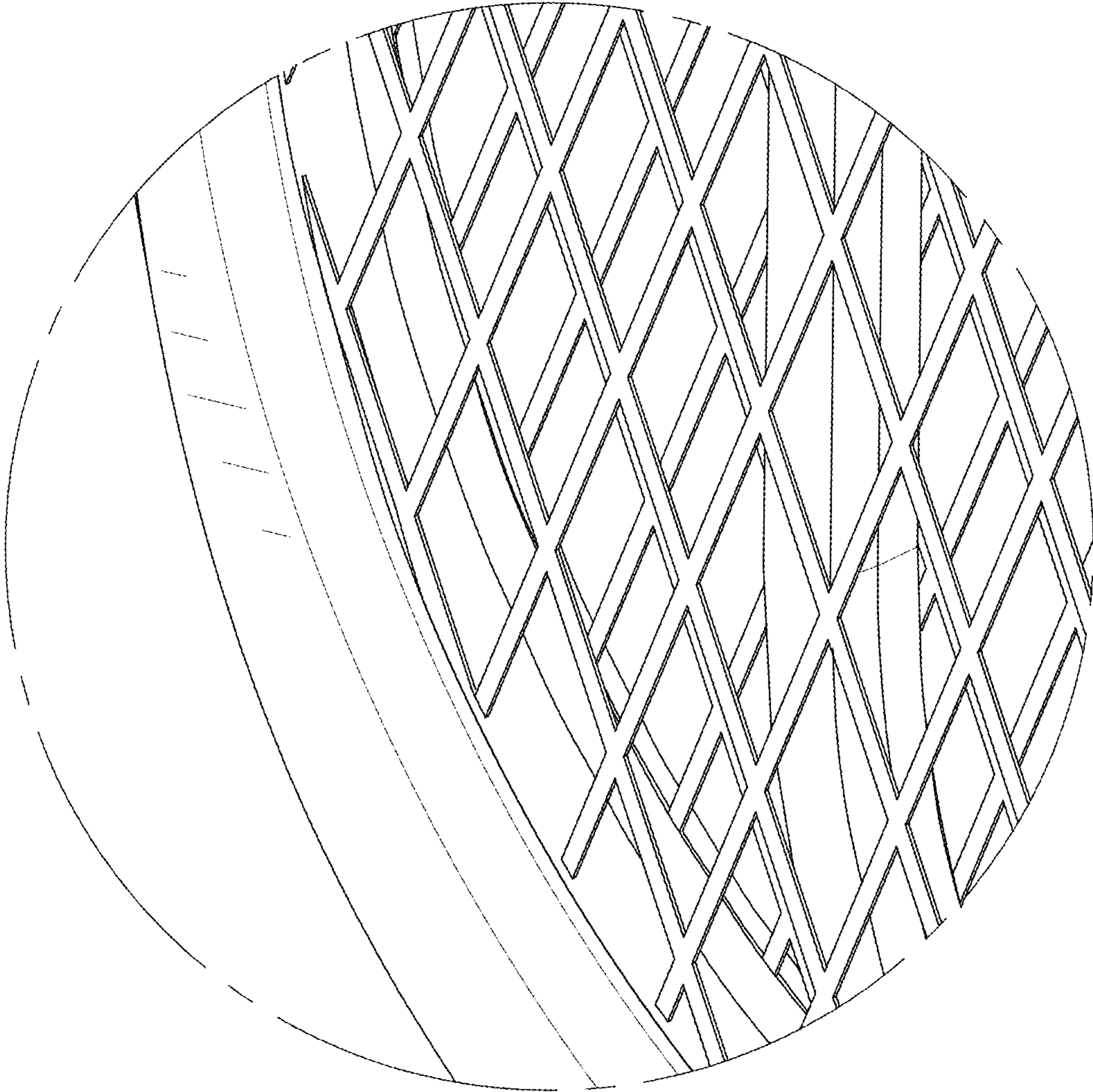


FIG.8