



US00D925689S

(12) **United States Design Patent** (10) **Patent No.:** **US D925,689 S**
He (45) **Date of Patent:** **** Jul. 20, 2021**

(54) **WALL MOUNT GUN RACK**

(71) Applicant: **Feng He**, Rizhao (CN)

(72) Inventor: **Feng He**, Rizhao (CN)

(**) Term: **15 Years**

(21) Appl. No.: **29/767,984**

(22) Filed: **Jan. 27, 2021**

(51) **LOC (13) Cl.** **22-01**

(52) **U.S. Cl.**
USPC **D22/108**

(58) **Field of Classification Search**

USPC D22/108; D21/572-573
CPC F41C 23/04; F41C 23/14; F41C 23/06;
F41C 23/22

See application file for complete search history.

(56) **References Cited**

U.S. PATENT DOCUMENTS

D491,007 S	6/2004	Erneston
D722,669 S	2/2015	Keller
D753,782 S	4/2016	Vazquez et al.
D775,859 S	1/2017	DeHart
D820,616 S	6/2018	Nussbaum et al.

2014/0157642 A1*	6/2014	Bogges	F41A 23/18 42/94
2019/0195595 A1*	6/2019	Kielsmeier	F41C 9/02
2019/0219353 A1*	7/2019	Cauley, Jr.	F41A 23/16
2019/0226797 A1*	7/2019	Faifer	F41C 27/22

* cited by examiner

Primary Examiner — Michael A. Pratt

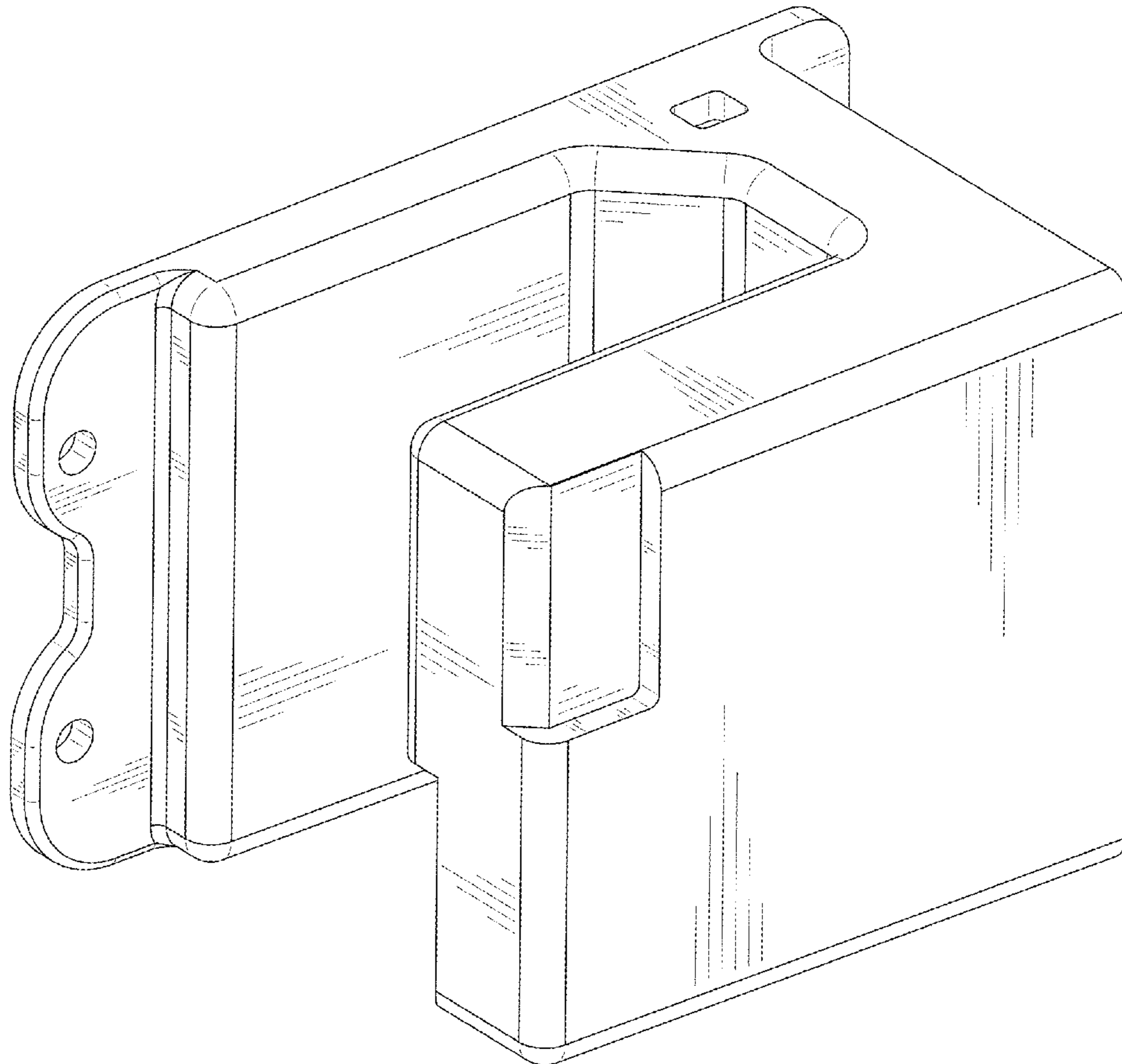
(57) **CLAIM**

The ornamental design for a wall mount gun rack, as shown and described.

DESCRIPTION

FIG. 1 is a perspective view of a wall mount gun rack showing my new design;
FIG. 2 is another perspective view thereof;
FIG. 3 is a front elevational view thereof;
FIG. 4 is a rear elevational view thereof;
FIG. 5 is a left side elevational view thereof;
FIG. 6 is a right side elevational view thereof;
FIG. 7 is a top plan view thereof; and,
FIG. 8 is a bottom plan view thereof.
The broken lines in the drawings depict portions of the wall mount gun rack that form no part of the claimed design.

1 Claim, 8 Drawing Sheets



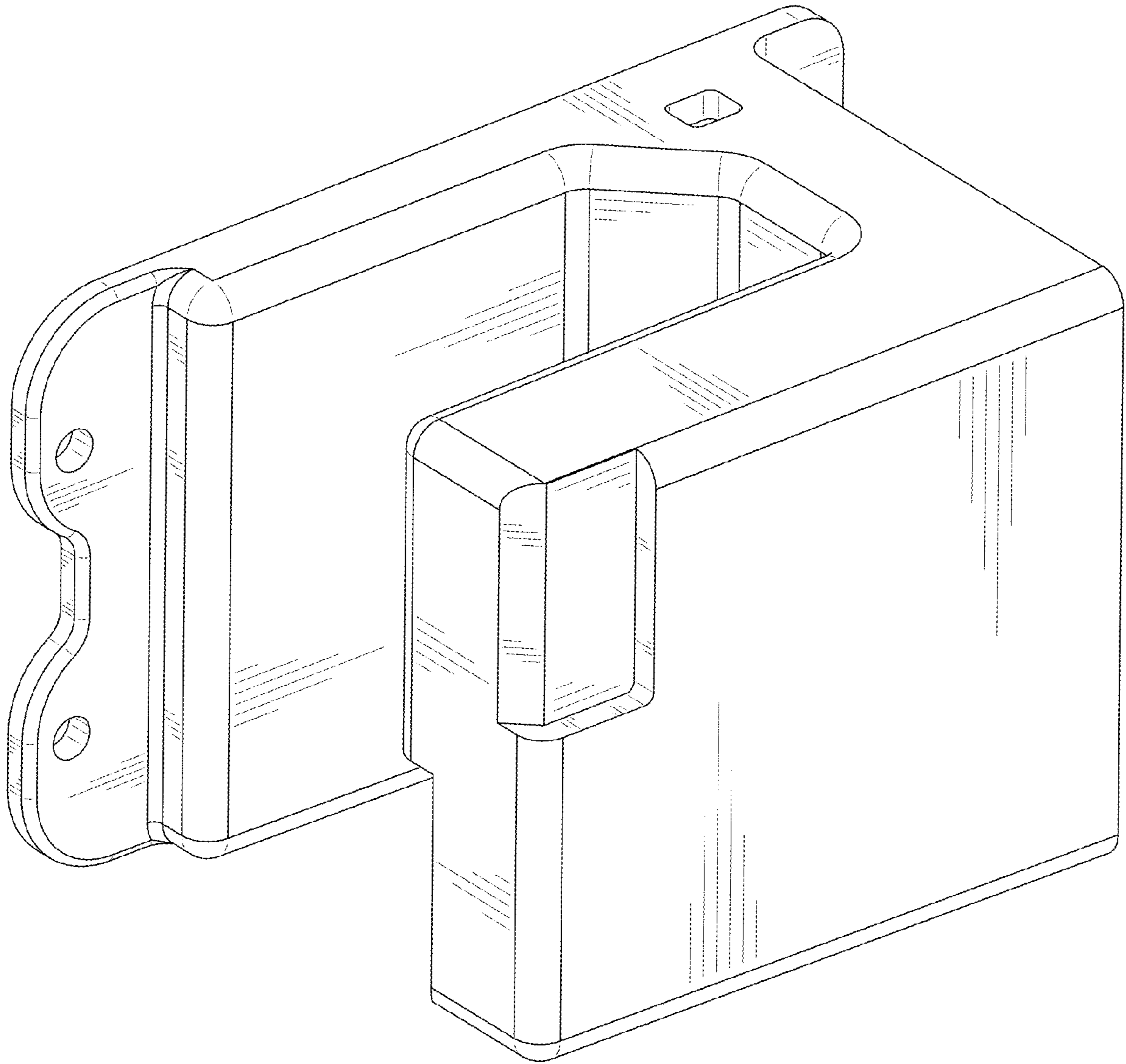


FIG. 1

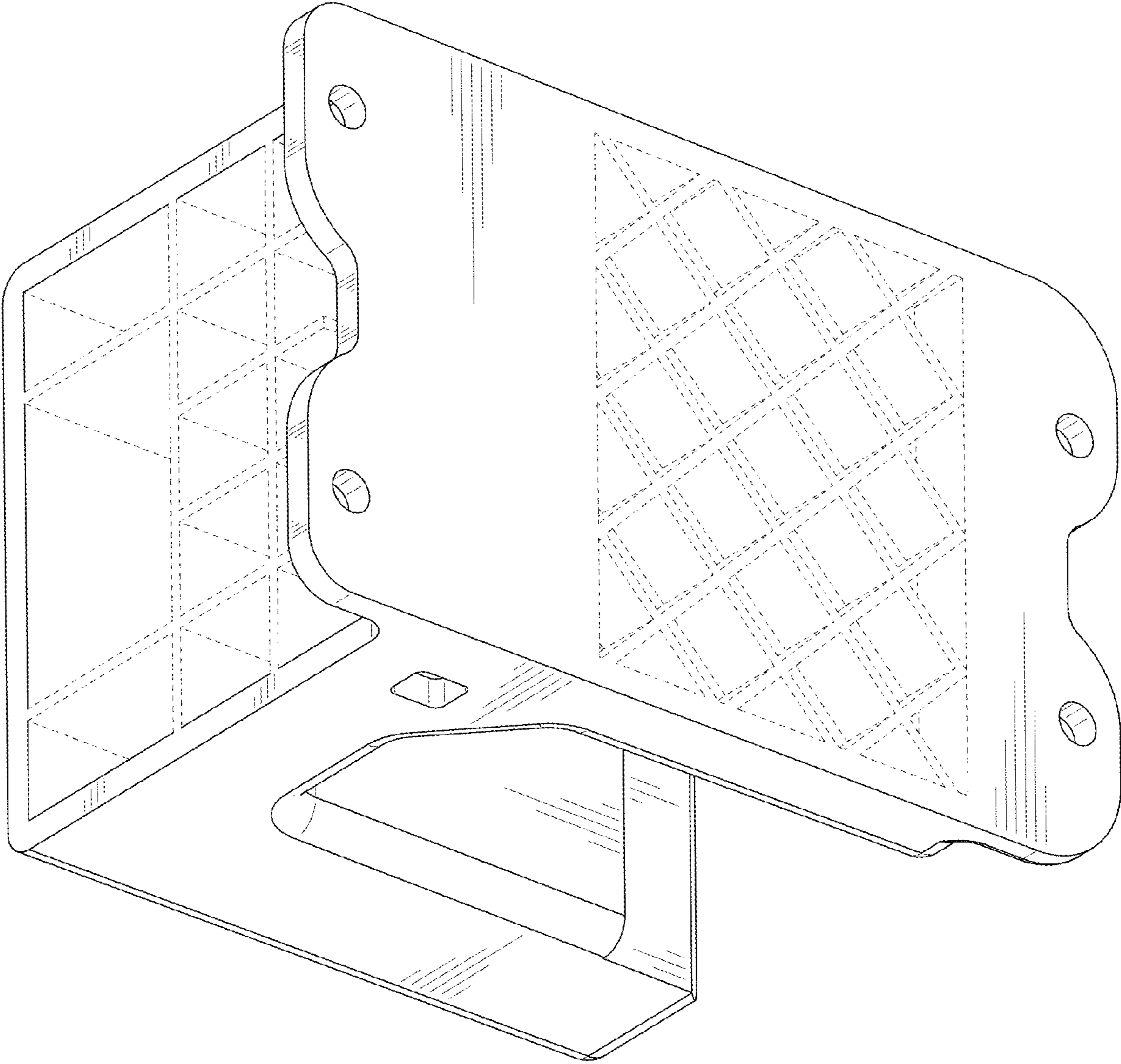


FIG. 2

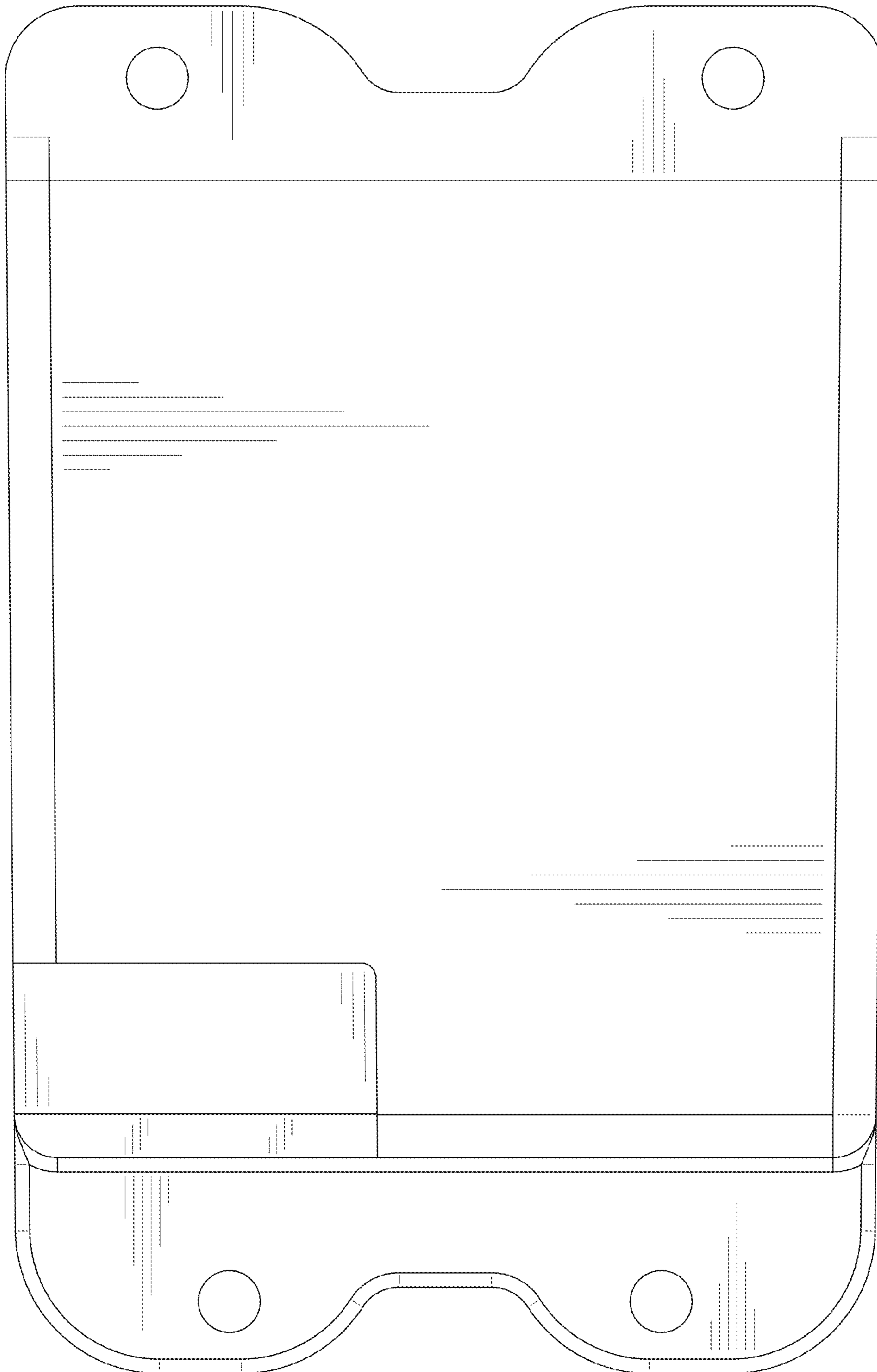


FIG. 3

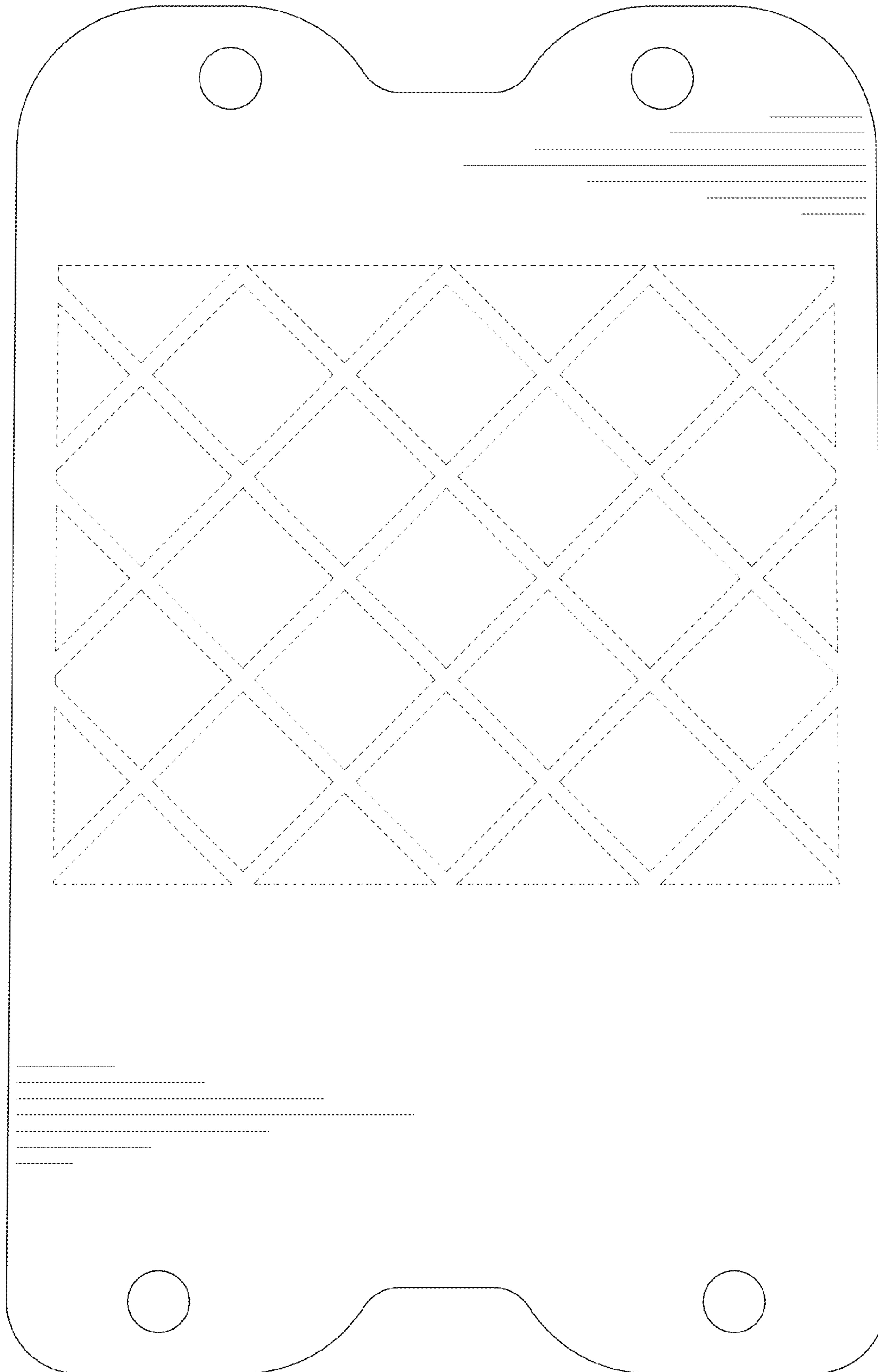


FIG. 4

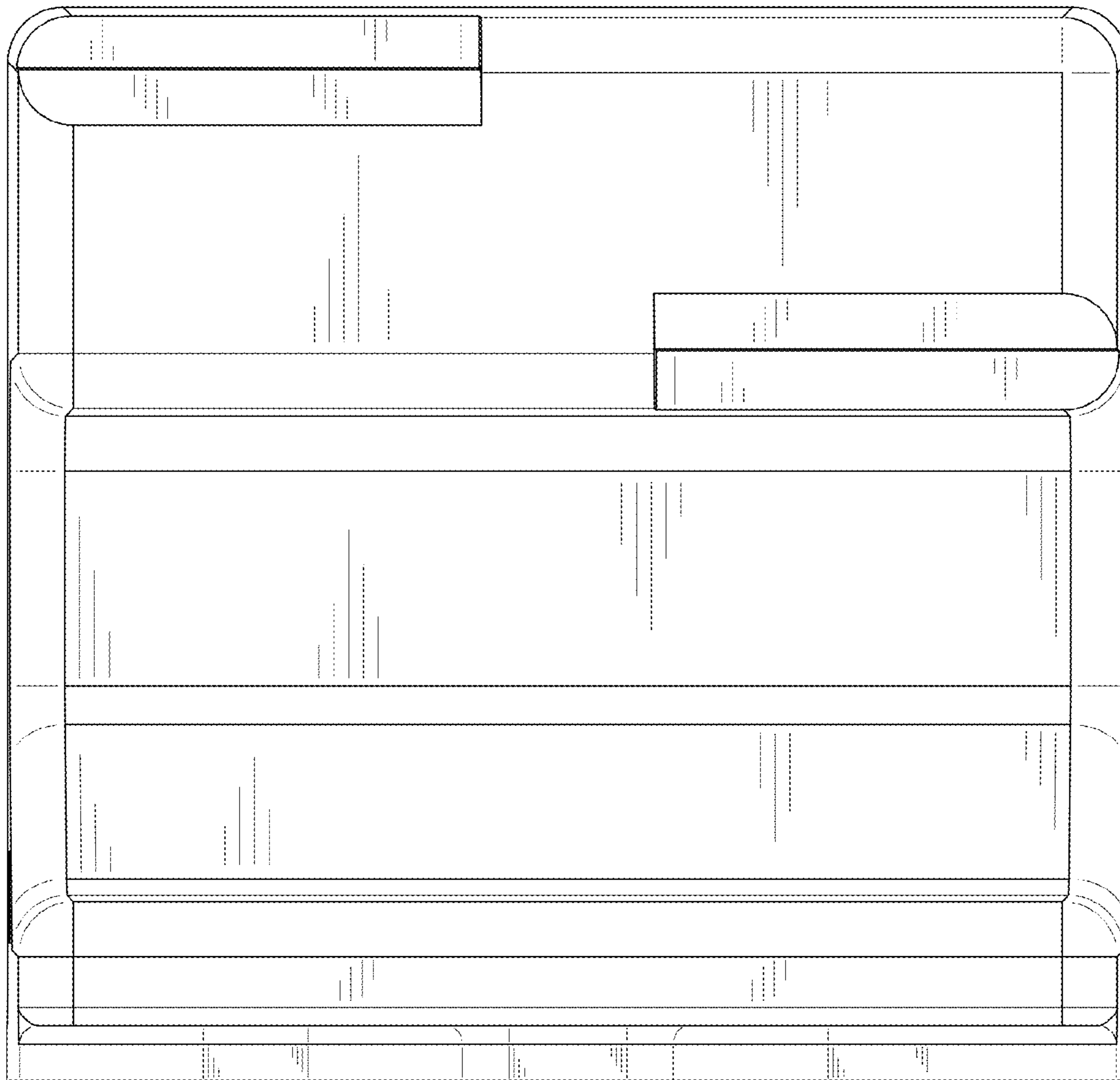


FIG. 5

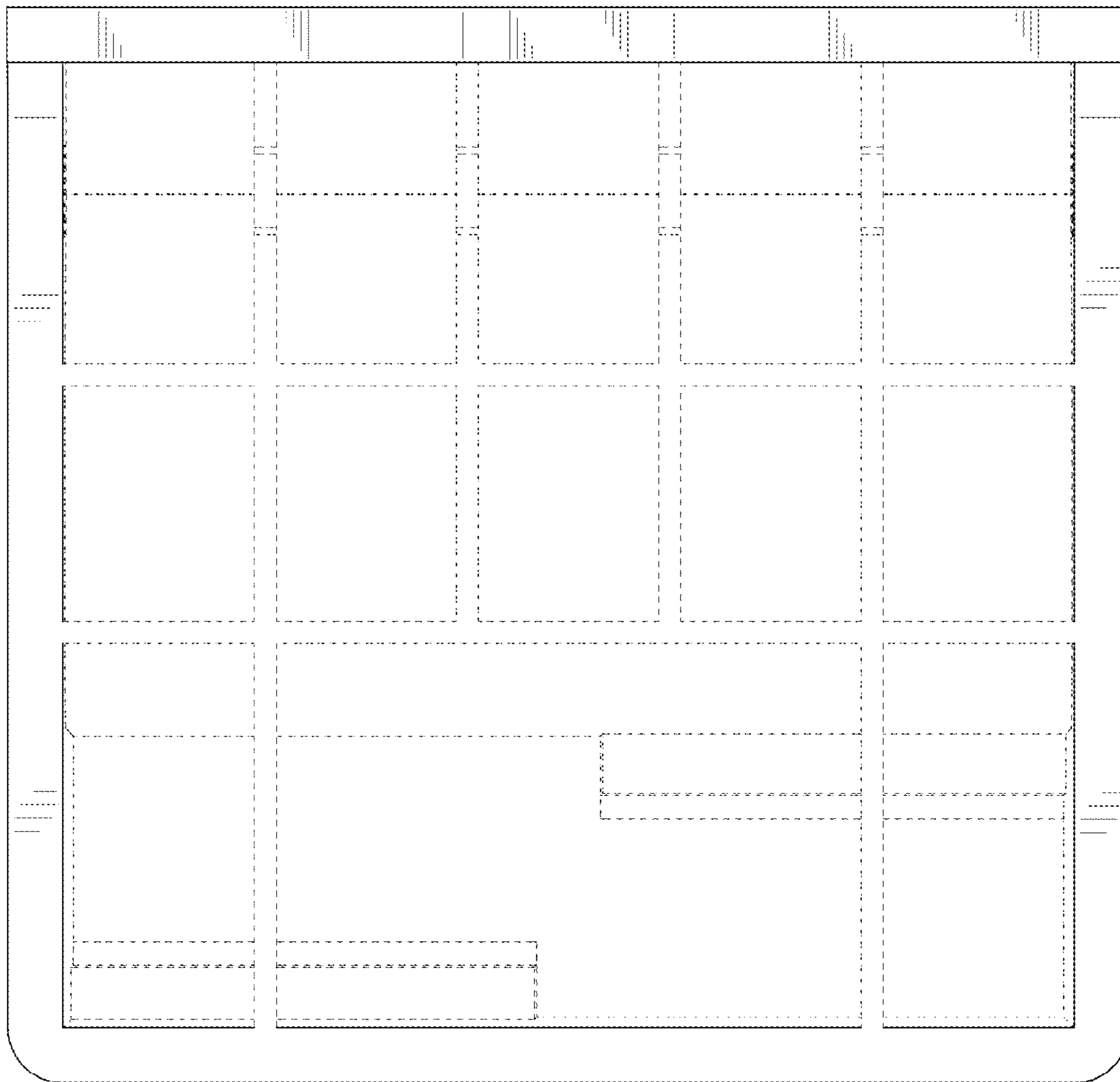


FIG. 6

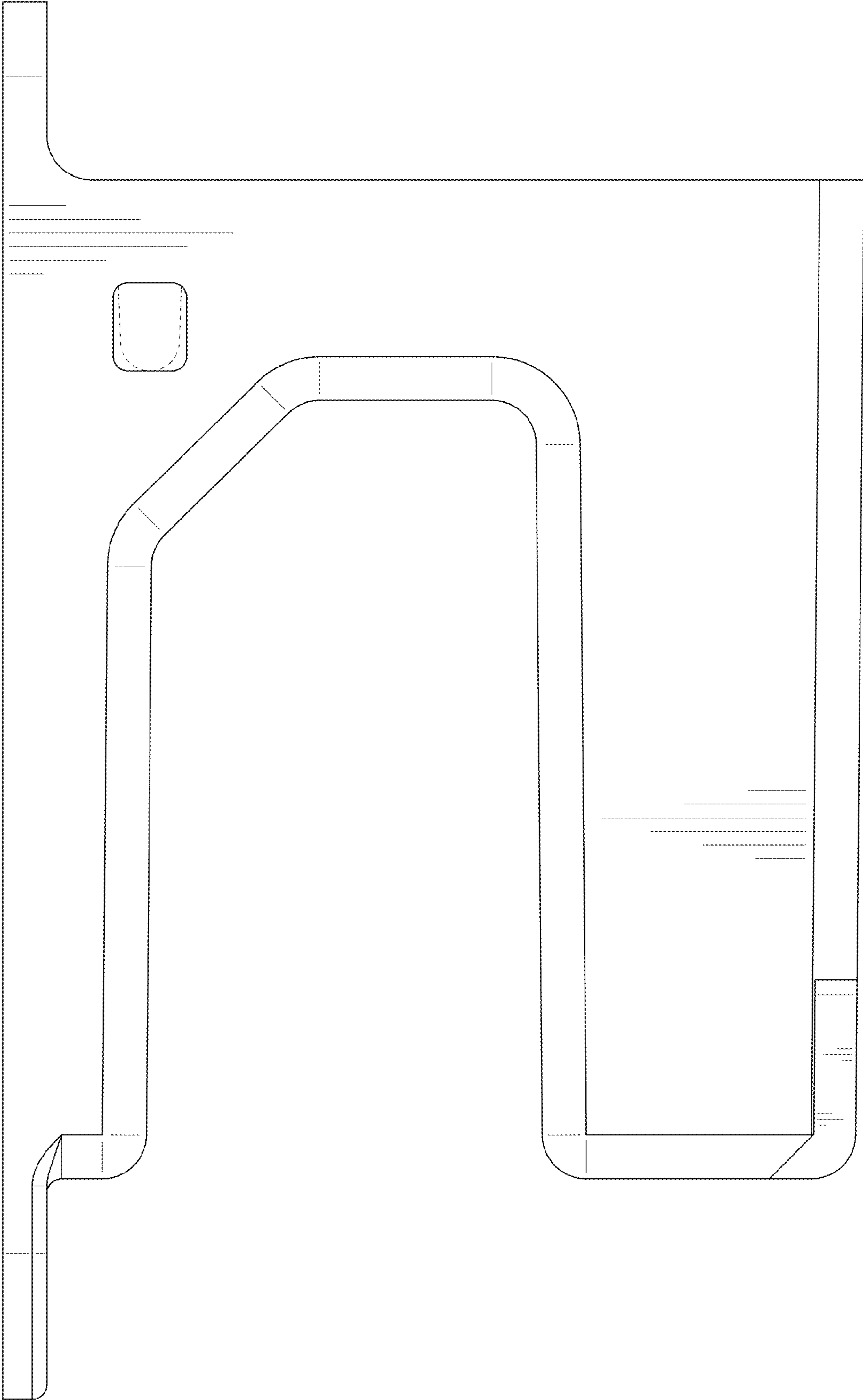


FIG. 7

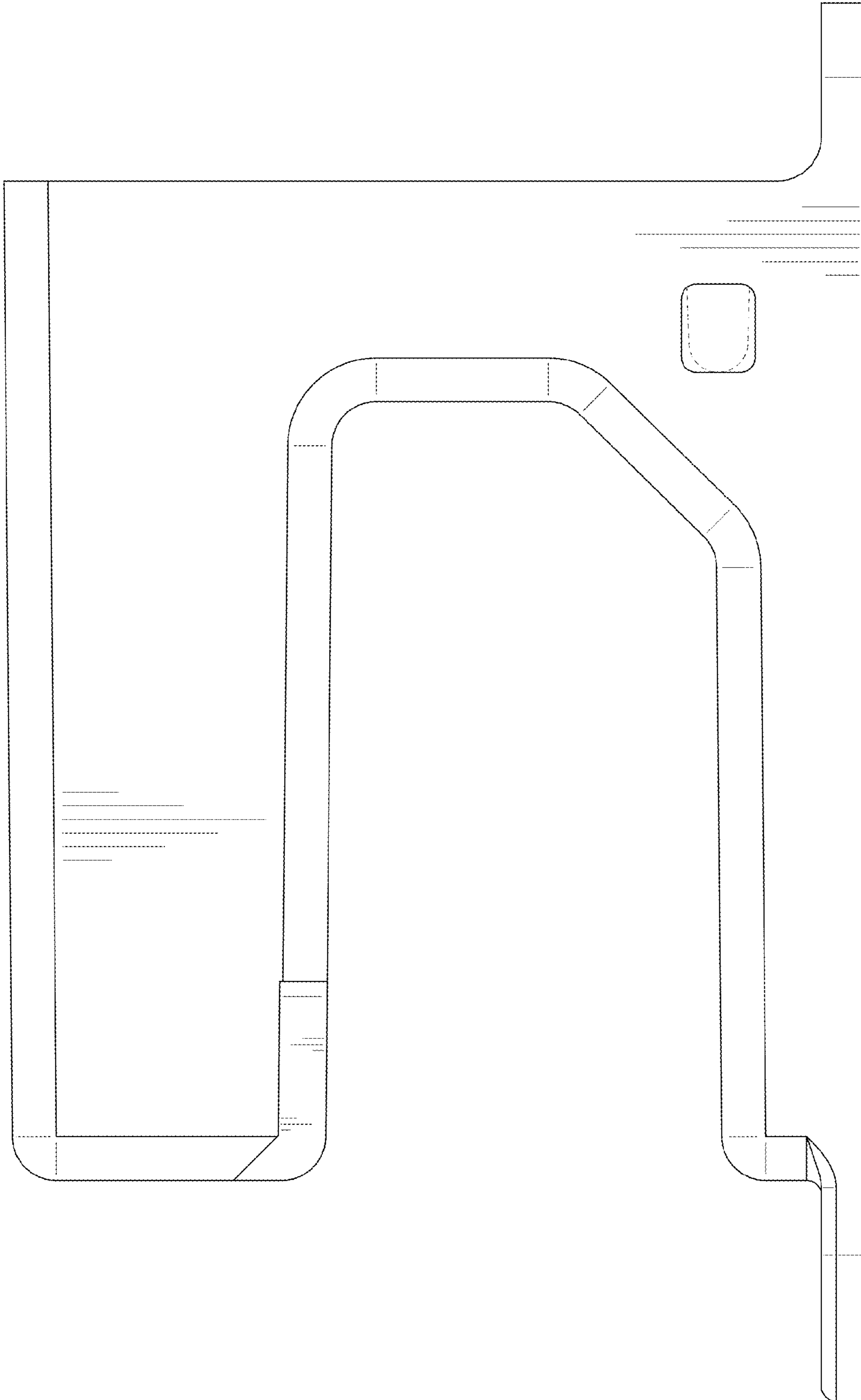


FIG. 8