



US00D925685S

(12) **United States Design Patent**
Lahdenperä et al.

(10) **Patent No.:** **US D925,685 S**
(45) **Date of Patent:** **** Jul. 20, 2021**

(54) **PLAYGROUND APPARATUS**
(71) Applicant: **Lappset Group Oy**, Rovaniemi (FI)
(72) Inventors: **Risto Lahdenperä**, Rovaniemi (FI);
Toni Keskitalo, Rovaniemi (FI)

(73) Assignee: **Lappset Group Oy**, Rovaniemi (FI)

(**) Term: **15 Years**

(21) Appl. No.: **29/695,320**

(22) Filed: **Jun. 18, 2019**

(30) **Foreign Application Priority Data**

May 16, 2019 (EM) 006467197

(51) **LOC (13) Cl.** **21-03**

(52) **U.S. Cl.**
USPC **D21/821**; D21/826

(58) **Field of Classification Search**
USPC D21/811, 814, 818-822, 826-827
CPC A63G 9/00-22; A63G 31/00; A63B
2009/006; A63B 17/00; A63B 17/02;
A63H 33/008
See application file for complete search history.

(56) **References Cited**

U.S. PATENT DOCUMENTS

1,708,883	A *	4/1929	Hedges	A63B 9/00
					482/36
D189,581	S *	1/1961	Williams et al.	D21/818
D212,018	S *	8/1968	Jamison et al.	D21/820
D213,505	S *	3/1969	Wormser	D21/820
D213,508	S *	3/1969	Wormser	D21/820
D224,243	S *	7/1972	Hock et al.	D21/818
D224,247	S *	7/1972	Jamison	D21/818
D236,518	S *	8/1975	Wormser	D21/818
D250,723	S *	1/1979	Dieter	472/116

D250,784	S *	1/1979	Dieter	472/116
D253,363	S *	11/1979	Dieter	D21/821
D262,818	S *	1/1982	Works	D21/822
D268,859	S *	5/1983	Ament	D21/820
D271,037	S *	10/1983	Gordon	D21/822
D274,450	S *	6/1984	Gordon	D21/822
4,484,738	A *	11/1984	Ahrens	A63G 21/00
					472/116
D277,222	S *	1/1985	Mower	D21/822
D281,447	S *	11/1985	Gordon	D21/822
D281,985	S *	12/1985	Spirk, Jr.	D21/818
D284,021	S *	5/1986	Addleman	D21/818
D286,423	S *	10/1986	Saxman	D21/818
D328,119	S *	7/1992	Matsch	D21/821
D330,579	S *	10/1992	Briggs	A63B 9/00
					D21/822
D343,438	S *	1/1994	Fish, Jr.	D21/818
D344,317	S *	2/1994	Petersheim	D21/821
D344,773	S *	3/1994	Aker	D21/818
D347,458	S *	5/1994	Cunard	D21/818
D355,693	S *	2/1995	Aker	D21/818
D361,116	S *	8/1995	Shaneour	D21/821
D361,614	S *	8/1995	Aker	D21/821

(Continued)

Primary Examiner — Mitchell I. Siegel

(74) *Attorney, Agent, or Firm* — Leason Ellis LLP

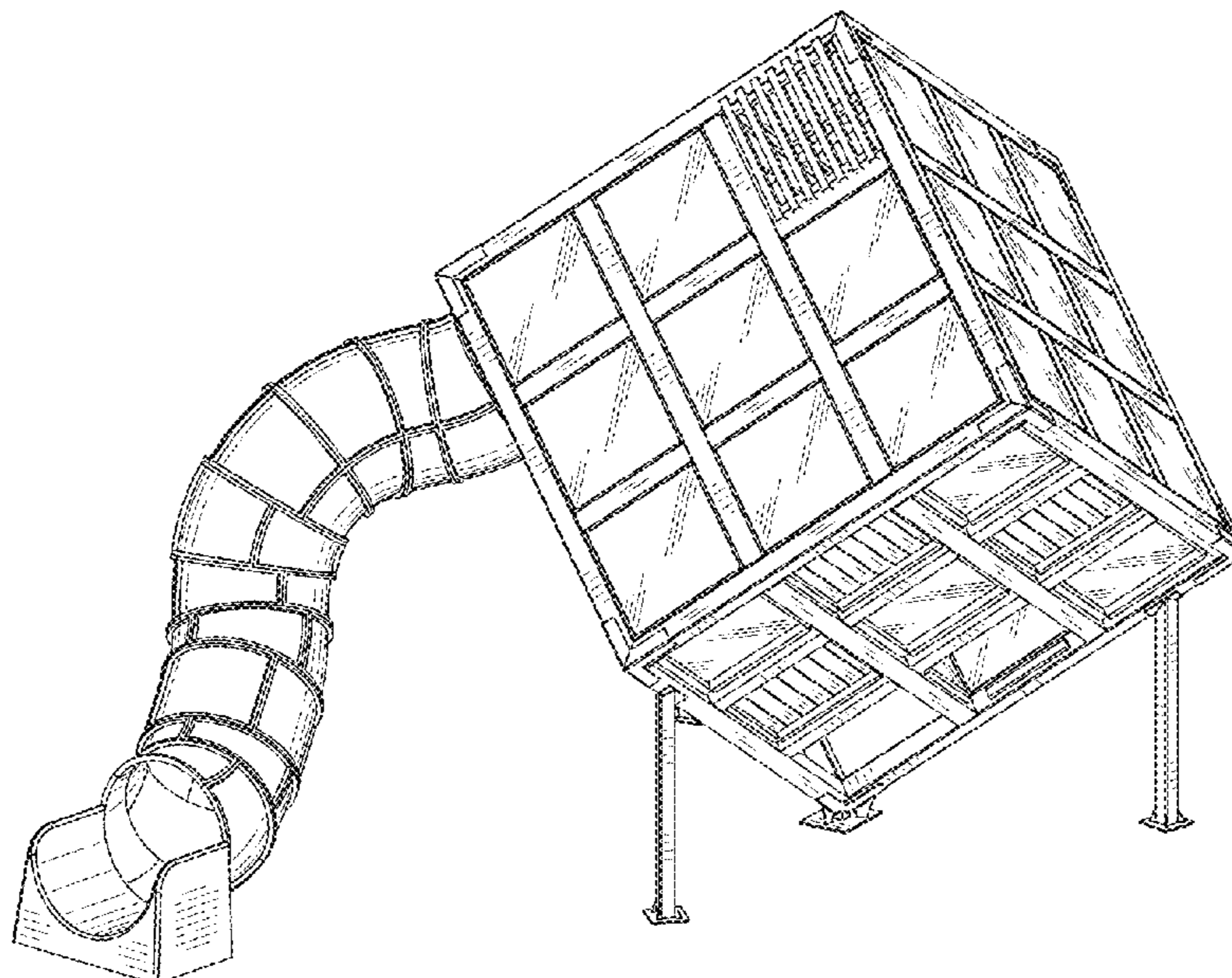
(57) **CLAIM**

The ornamental design for a playground apparatus, as shown and described.

DESCRIPTION

FIG. 1 is a perspective view of a playground apparatus according to our new design;
FIG. 2 is a front view thereof;
FIG. 3 is a rear view thereof;
FIG. 4 is a right, side view thereof;
FIG. 5 is a left, side view thereof;
FIG. 6 is a top plan view thereof; and,
FIG. 7 is a bottom plan view thereof.

1 Claim, 7 Drawing Sheets



(56)

References Cited

U.S. PATENT DOCUMENTS

5,496,232	A *	3/1996	Morris	A63B 9/00				
					482/148				
D371,414	S *	7/1996	King	D21/821				
D372,065	S *	7/1996	Gilles	D21/821				
D377,075	S *	12/1996	Temple	D21/818				
D377,203	S *	1/1997	Jaeb	D21/820				
5,820,471	A *	10/1998	Briggs	A63B 9/00				
					472/128				
5,842,926	A *	12/1998	Rodriguez-Ferre	A63G 21/00				
					472/116				
5,853,332	A *	12/1998	Briggs	A63B 9/00				
					472/128				
D429,788	S *	8/2000	Sutton	D21/818				
6,165,106	A *	12/2000	McBride	A63B 9/00				
					482/35				
D435,881	S *	1/2001	Gardner	D21/820				
D436,224	S *	1/2001	Gardner	D21/820				
D440,623	S *	4/2001	Gardner	D21/818				
D524,895	S *	7/2006	VanDeusen	D21/820				
D524,896	S *	7/2006	VanDeusen	D21/820				
D524,897	S *	7/2006	VanDeusen	D21/820				
D524,898	S *	7/2006	VanDeusen	D21/820				
D534,984	S *	1/2007	Nye	D21/818				
D536,406	S *	2/2007	Nye	D21/818				
D536,407	S *	2/2007	Nye	D21/818				
D536,408	S *	2/2007	Nye	D21/818				
D536,409	S *	2/2007	Nye	D21/822				
D536,410	S *	2/2007	Nye	D21/822				
D536,411	S *	2/2007	Nye	D21/822				
D573,222	S *	7/2008	Huerta	D21/821				
D575,840	S *	8/2008	Sammann	D21/818				
D601,220	S *	9/2009	Sammann	D21/818				
D690,382	S *	9/2013	Kopp	D21/822				
D693,418	S *	11/2013	Tukker	D21/818				
D693,419	S *	11/2013	Tukker	D21/818				
D743,497	S *	11/2015	Eroglu	D21/818				
D806,816	S *	1/2018	Forbes	D21/818				
D821,525	S *	6/2018	Green	D21/814				
D832,965	S *	11/2018	Keller	D21/818				
D838,331	S *	1/2019	Ozsoz	D21/819				
D861,111	S *	9/2019	Keller	D21/826				
D873,365	S *	1/2020	Keller	D21/826				
D876,564	S *	2/2020	Hunter	D21/819				
D892,960	S *	8/2020	Hunter	D21/819				
D905,188	S *	12/2020	Hunter	D21/819				
2002/0010030	A1 *	1/2002	Zeilinger	A63B 17/02				
					472/117				
2004/0002394	A1 *	1/2004	Heipp	A63B 17/00				
					472/136				
2007/0078014	A1 *	4/2007	Nye	A63B 9/00				
					472/116				
2018/0361188	A1 *	12/2018	Rexroad	F16B 7/185				
2020/0094095	A1 *	3/2020	Huffman	A63B 17/02				
2020/0384303	A1 *	12/2020	Jones	A63B 9/00				

* cited by examiner

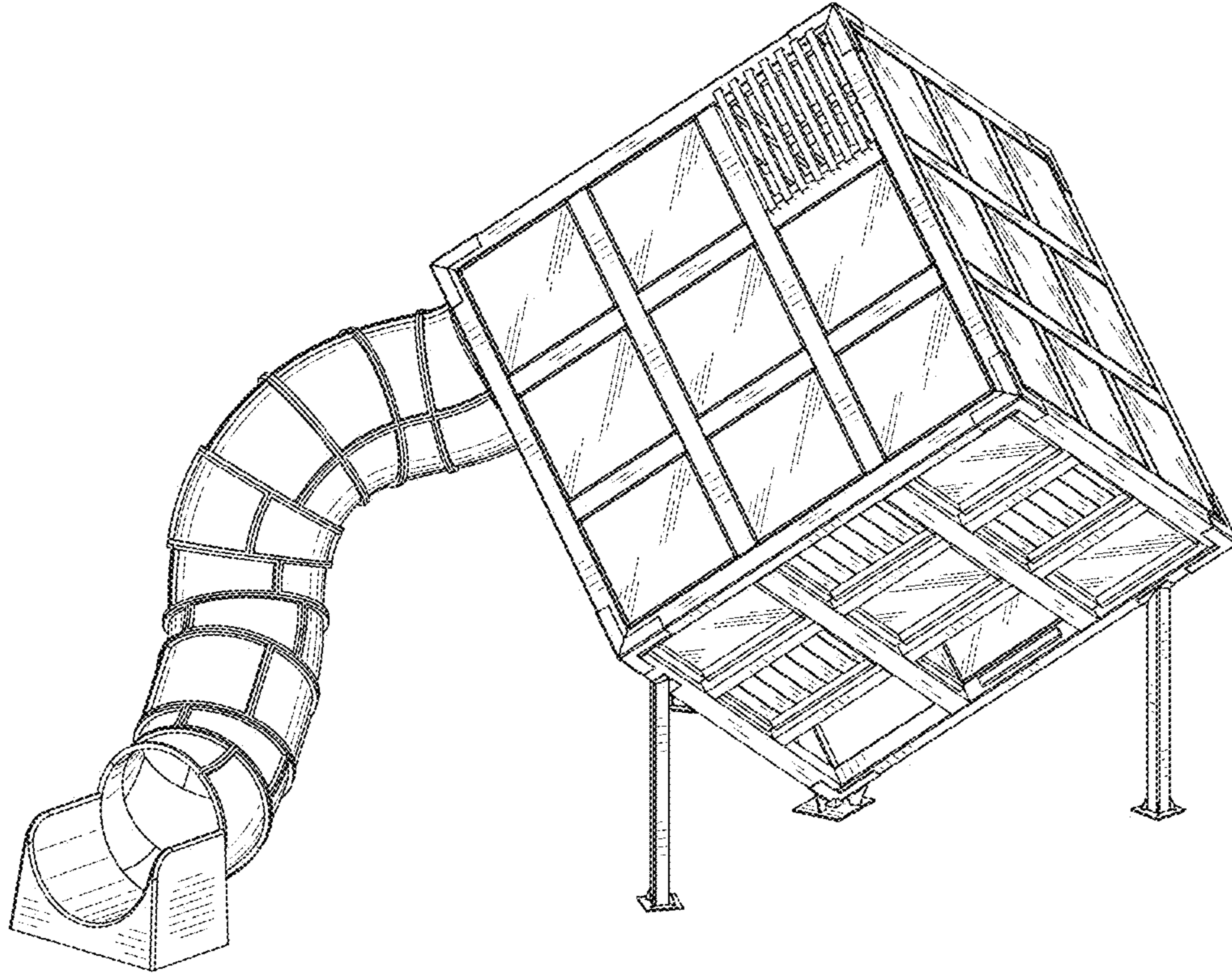


Fig. 1

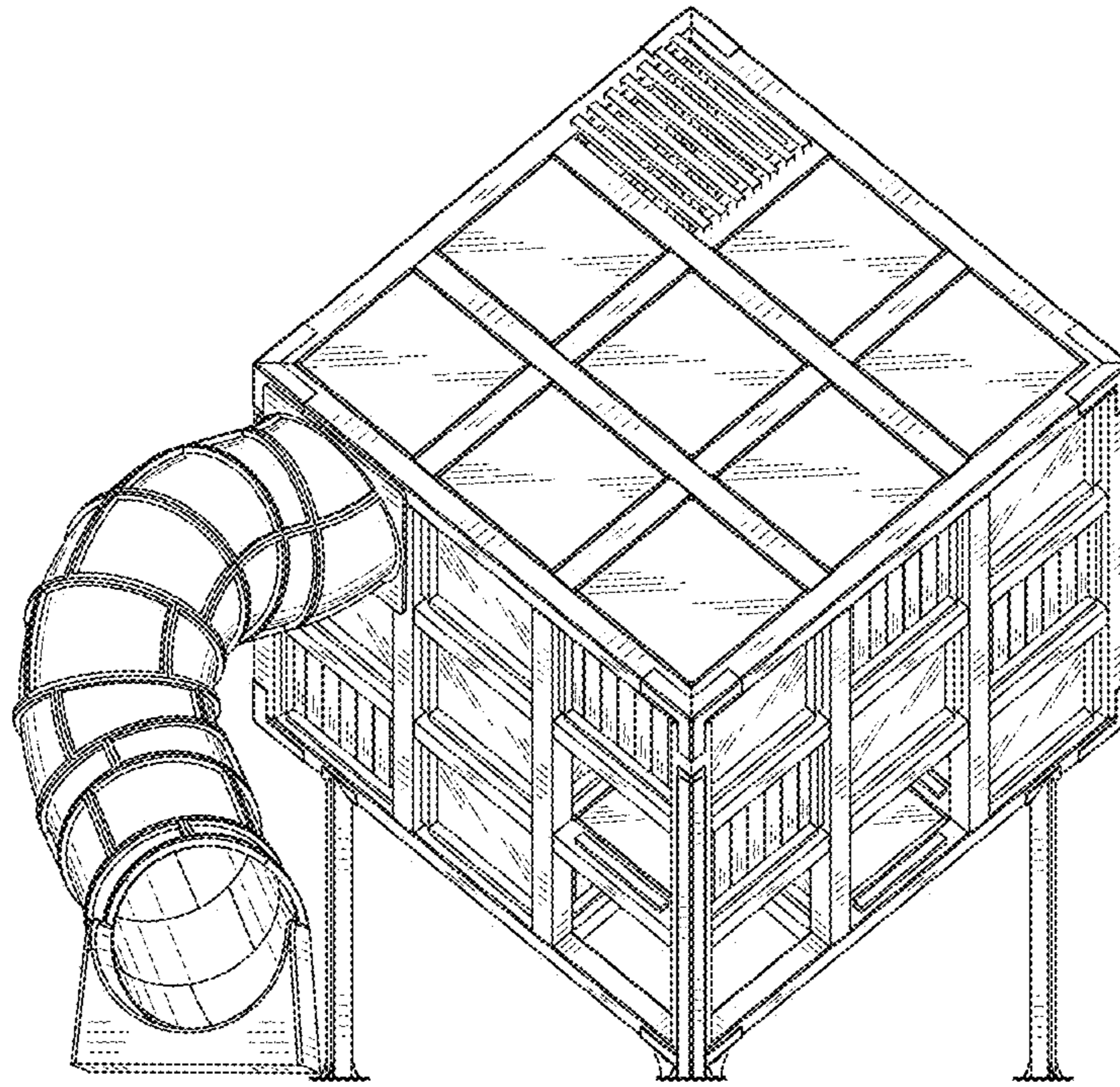


Fig. 2

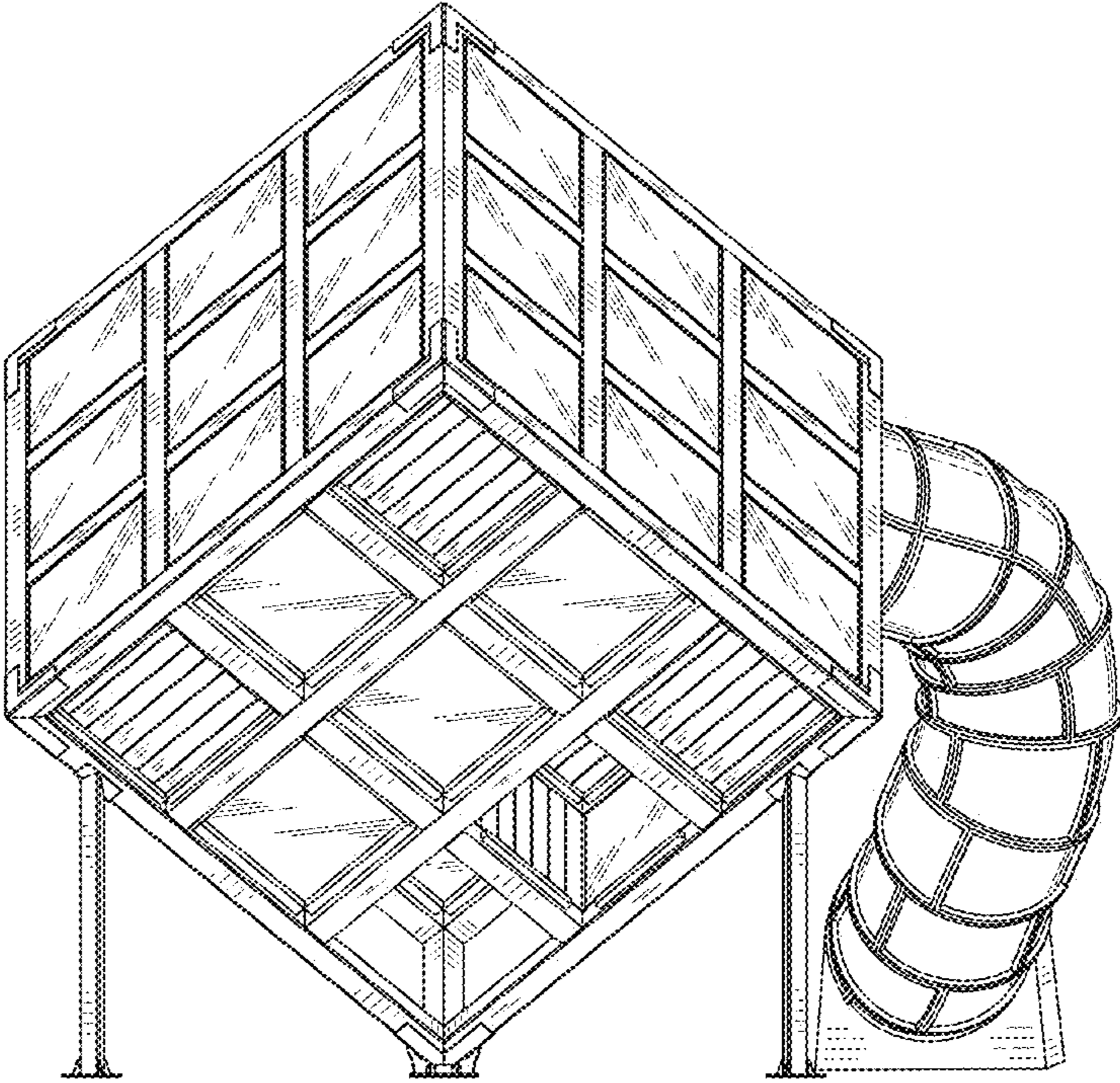


Fig. 3

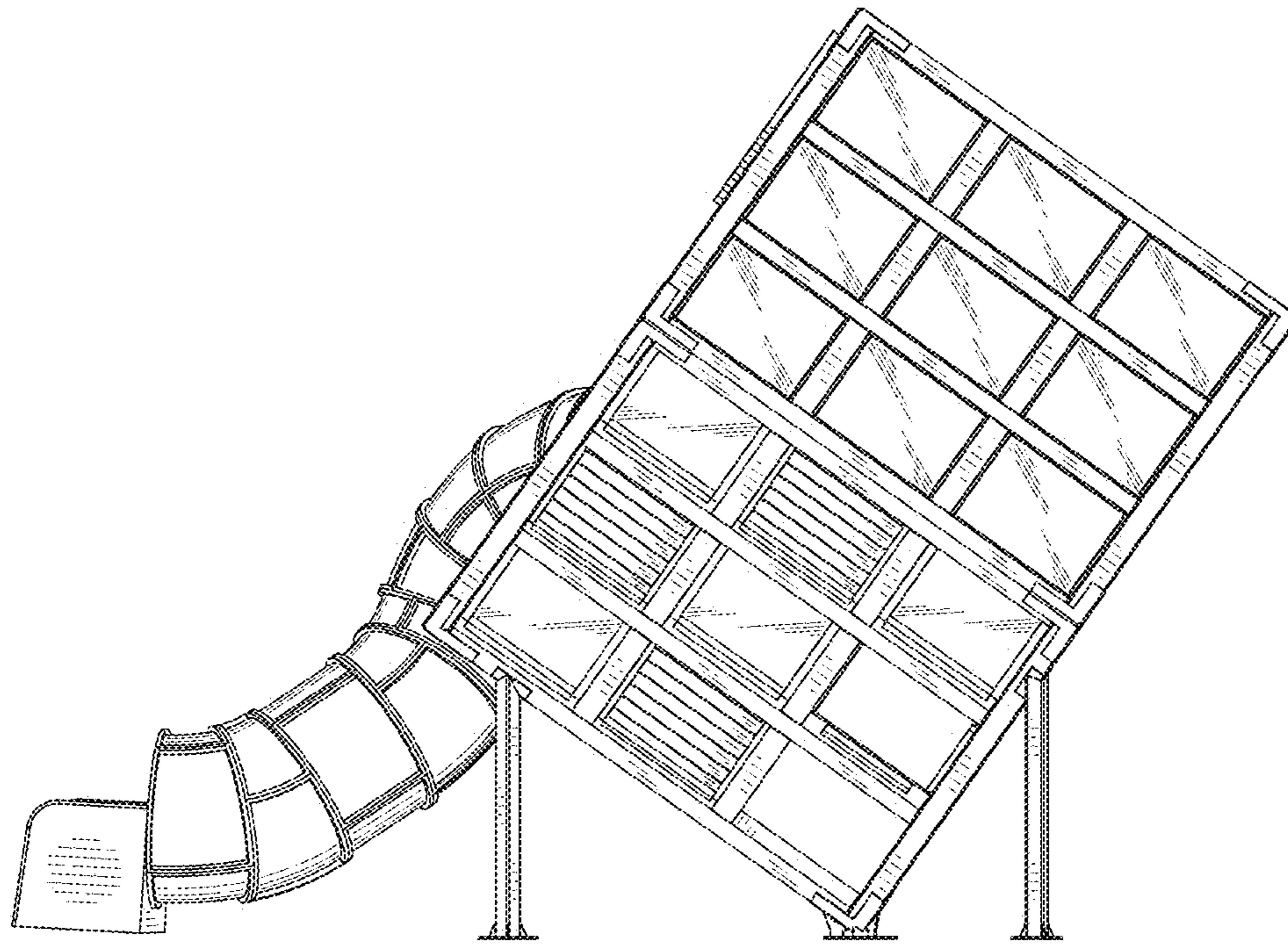


Fig. 4

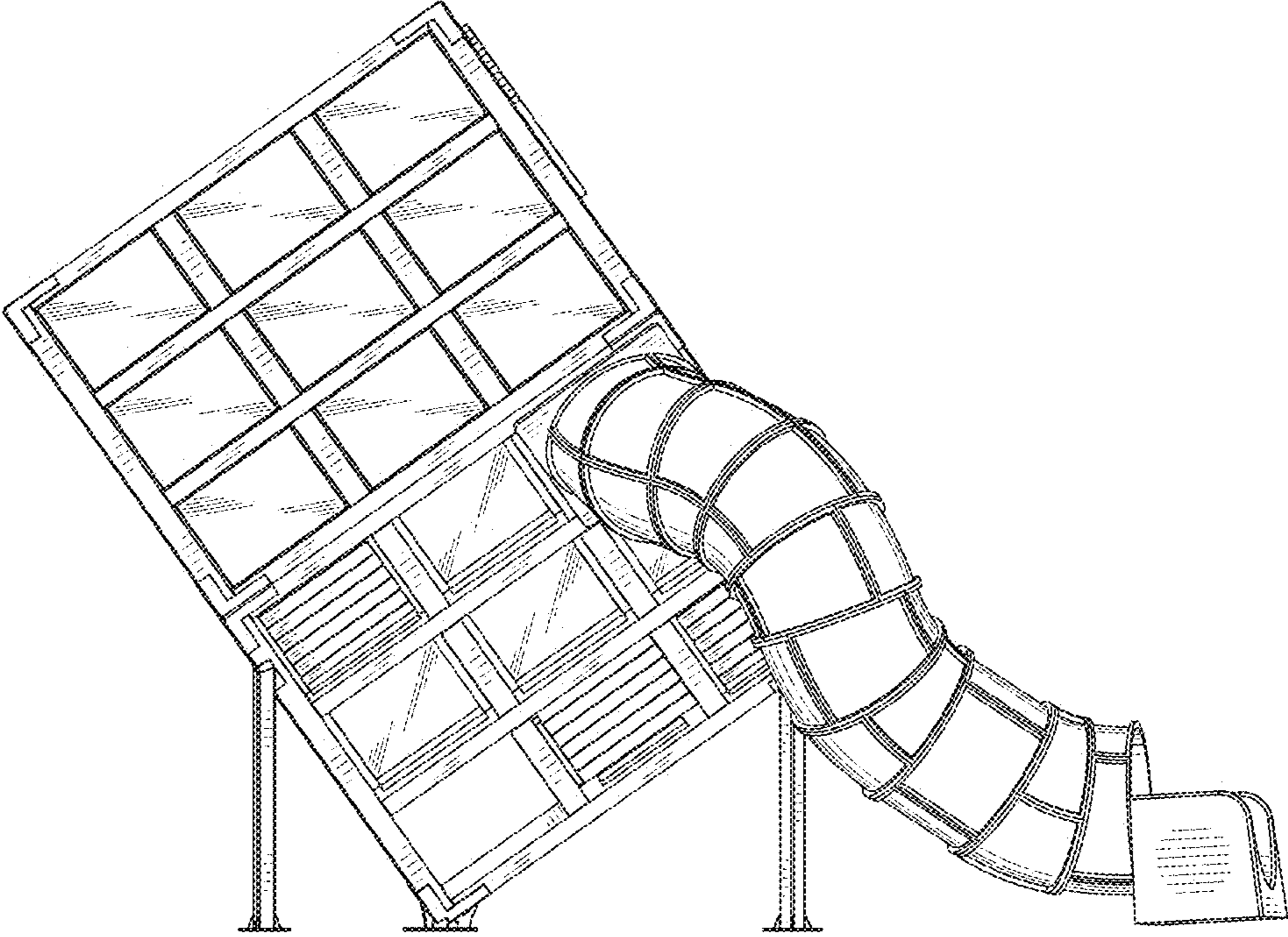


Fig. 5

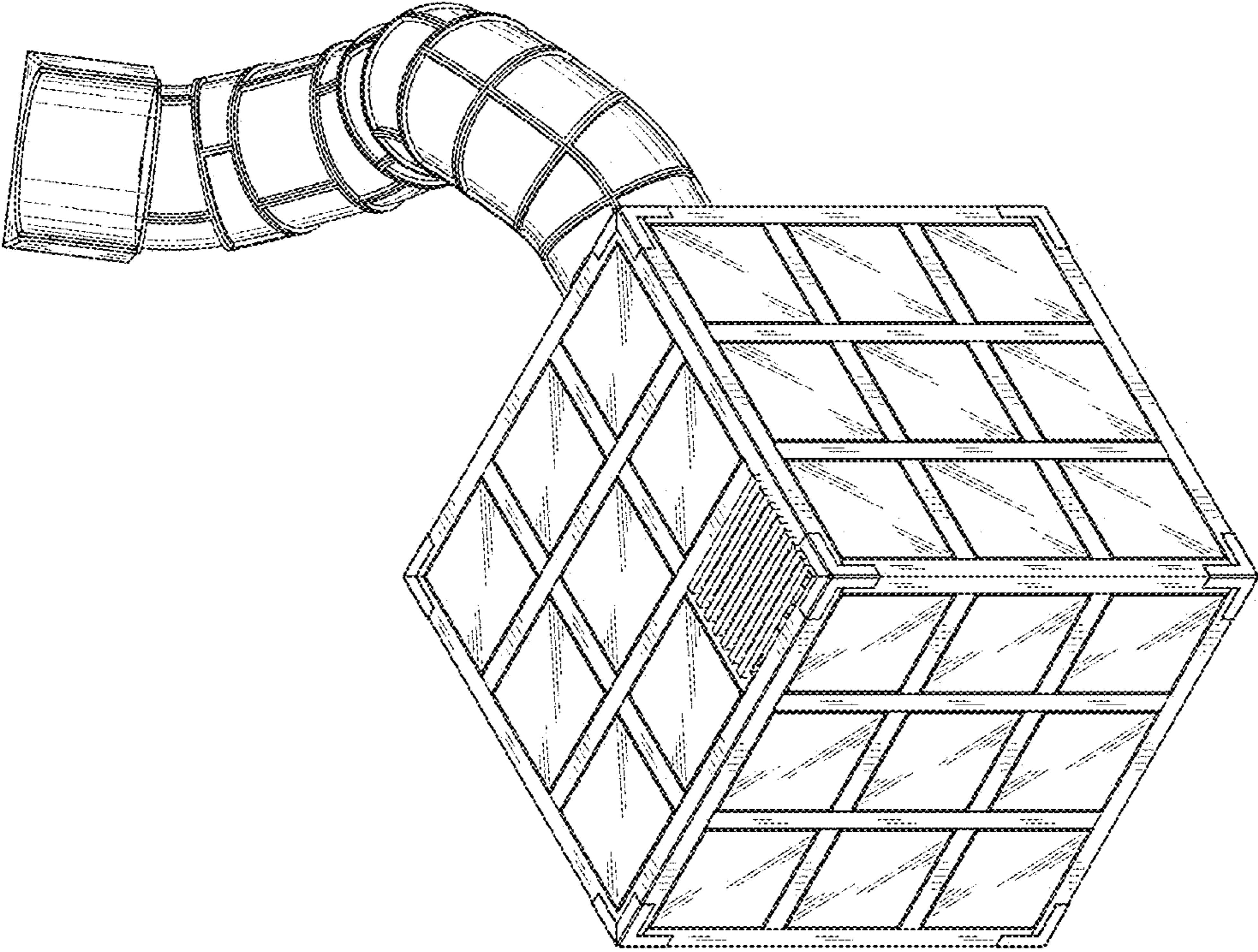


Fig. 6

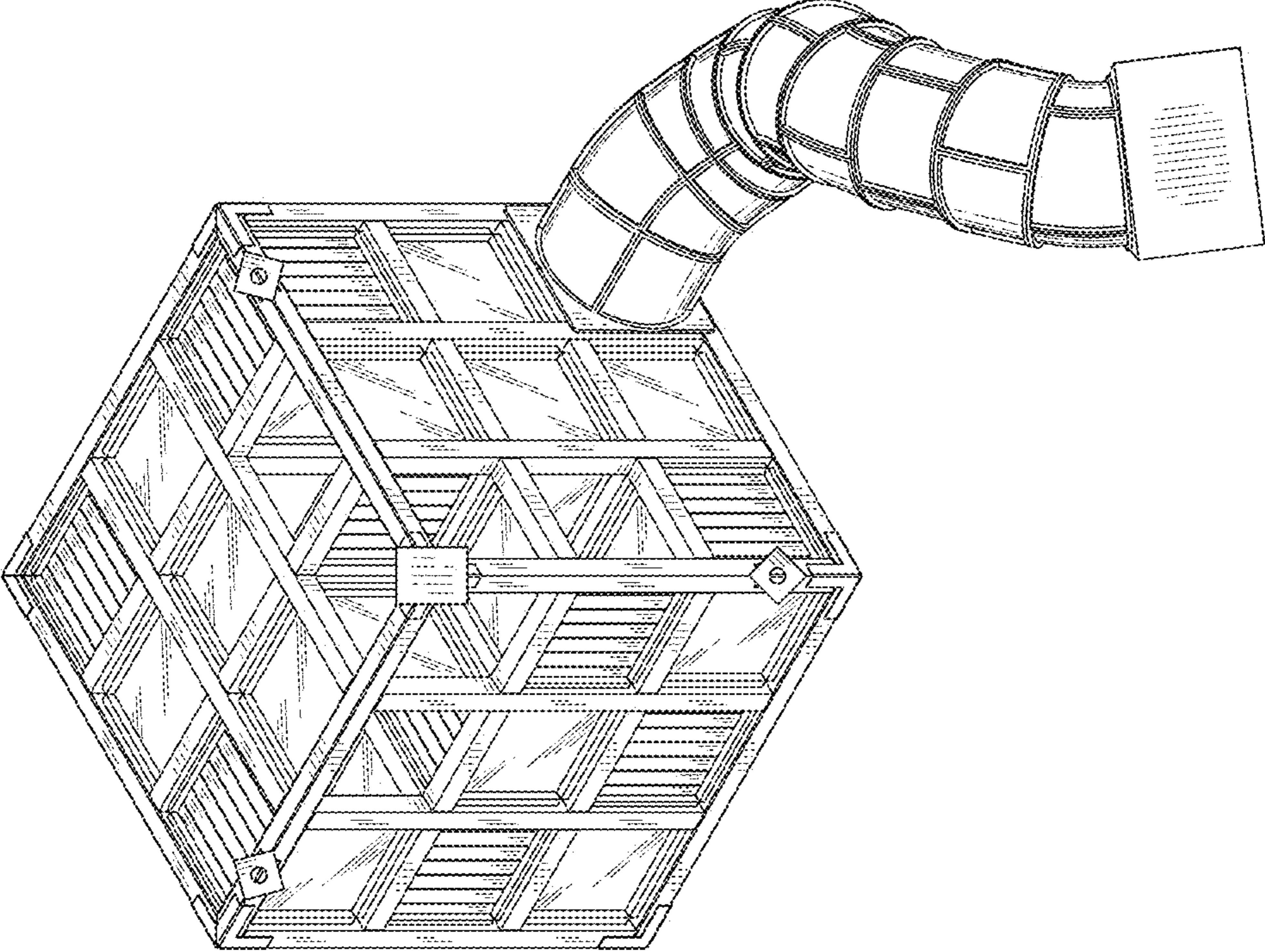


Fig. 7