



US00D925684S

(12) **United States Design Patent**
Huang

(10) **Patent No.:** **US D925,684 S**

(45) **Date of Patent:** **** Jul. 20, 2021**

(54) **POOL FLOAT**

(71) Applicant: **Yiwu Jidi Trading Co., Ltd.**, Yiwu (CN)

(72) Inventor: **Xiaoting Huang**, Yiwu (CN)

(**) Term: **15 Years**

(21) Appl. No.: **29/778,848**

(22) Filed: **Apr. 15, 2021**

(51) **LOC (13) Cl.** **21-02**

(52) **U.S. Cl.**
USPC **D21/803**

(58) **Field of Classification Search**
USPC D21/572, 801, 803, 808, 809; D6/595, D6/596, 597, 598, 601
CPC B63B 32/20; B63B 32/22; B63B 32/51; B63B 32/54; B63B 35/58; B63B 35/607; B63B 35/613; B63B 35/62
See application file for complete search history.

(56) **References Cited**

U.S. PATENT DOCUMENTS

4,799,910 A *	1/1989	Kellough	A47C 15/006
				441/131
D337,627 S *	7/1993	Moran	D21/572
D372,951 S *	8/1996	Barth	D21/803
D406,299 S *	3/1999	Huston	D21/803
D409,971 S *	5/1999	Elsholz	D12/316
D416,954 S *	11/1999	Yu	D21/572
D605,245 S	12/2009	Loudon		

D679,770 S *	4/2013	Berenson	D21/803
D719,233 S *	12/2014	Maria	D21/803
D842,413 S	3/2019	Ligeri		
D852,914 S	7/2019	Cecchi		
D879,899 S	3/2020	Engler		
D898,149 S	10/2020	Engler		
D898,851 S	10/2020	Dong		
D900,266 S	10/2020	Stoter		
D909,526 S	2/2021	Engler		
D910,793 S	2/2021	Engler		
D910,794 S	2/2021	Engler		

* cited by examiner

Primary Examiner — Zenia I Bennett

(74) *Attorney, Agent, or Firm* — Rumit Ranjit Kanakia

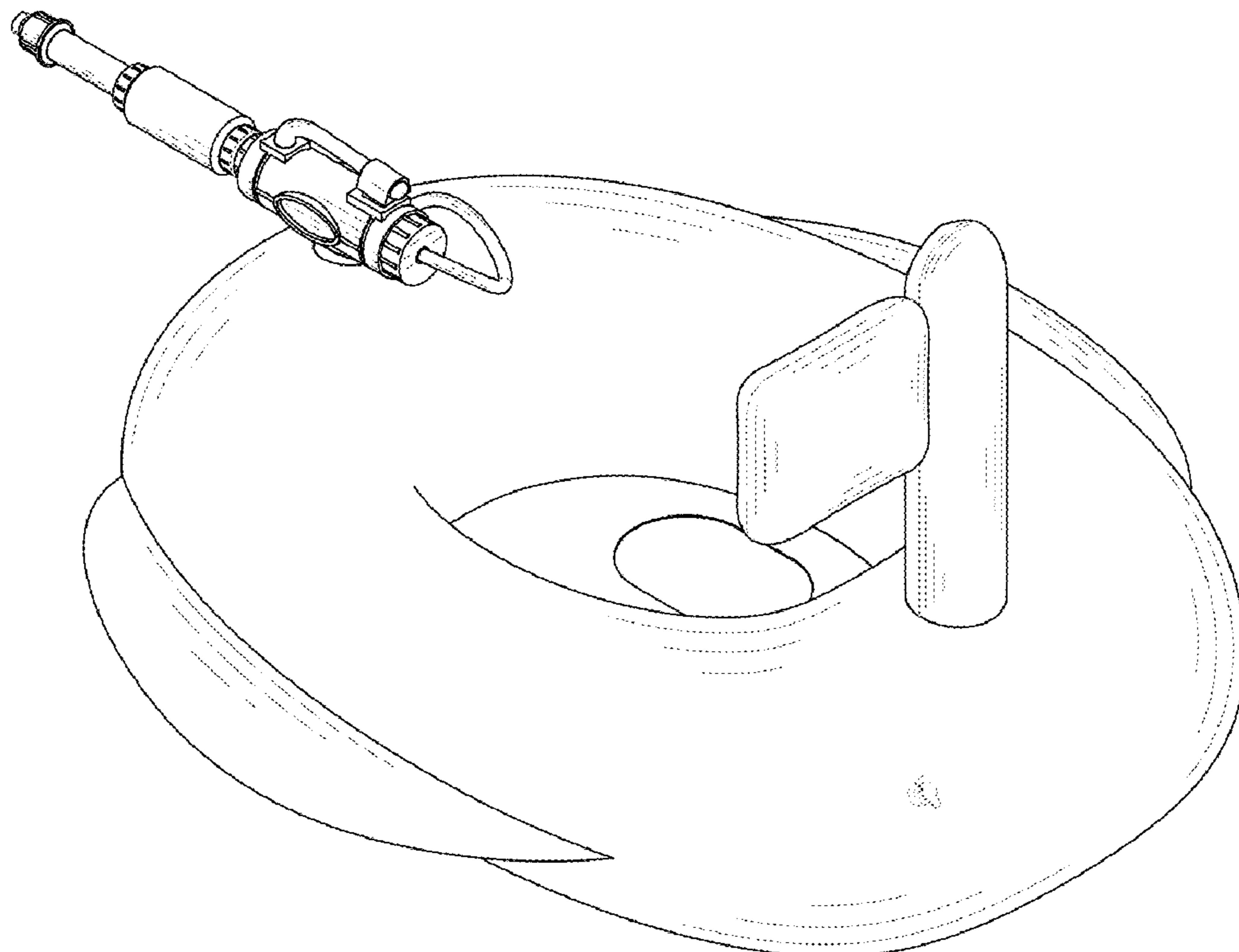
(57) **CLAIM**

The ornamental design for a pool float, as shown and described.

DESCRIPTION

FIG. 1 is a front elevational view of a pool float showing my new design;
 FIG. 2 is a rear elevational view thereof;
 FIG. 3 is a left side view thereof;
 FIG. 4 is a right side view thereof;
 FIG. 5 is a top plan view thereof;
 FIG. 6 is a bottom plan view thereof; and,
 FIG. 7 is a perspective view of a pool float showing my new design.
 The broken lines in the figures are for the purposes of illustrating the air valve, which form no part of the claimed design.

1 Claim, 7 Drawing Sheets



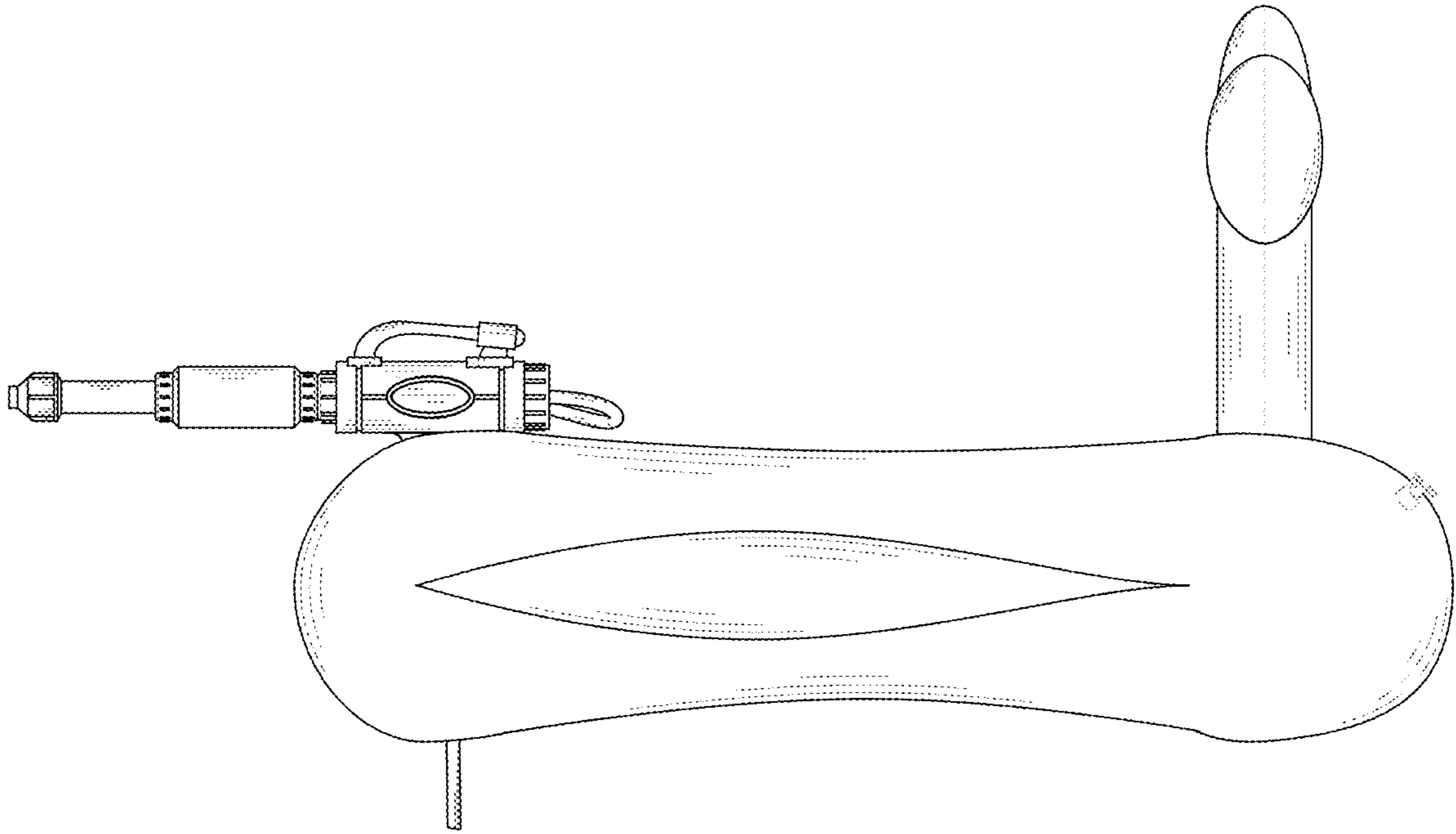


FIG. 1

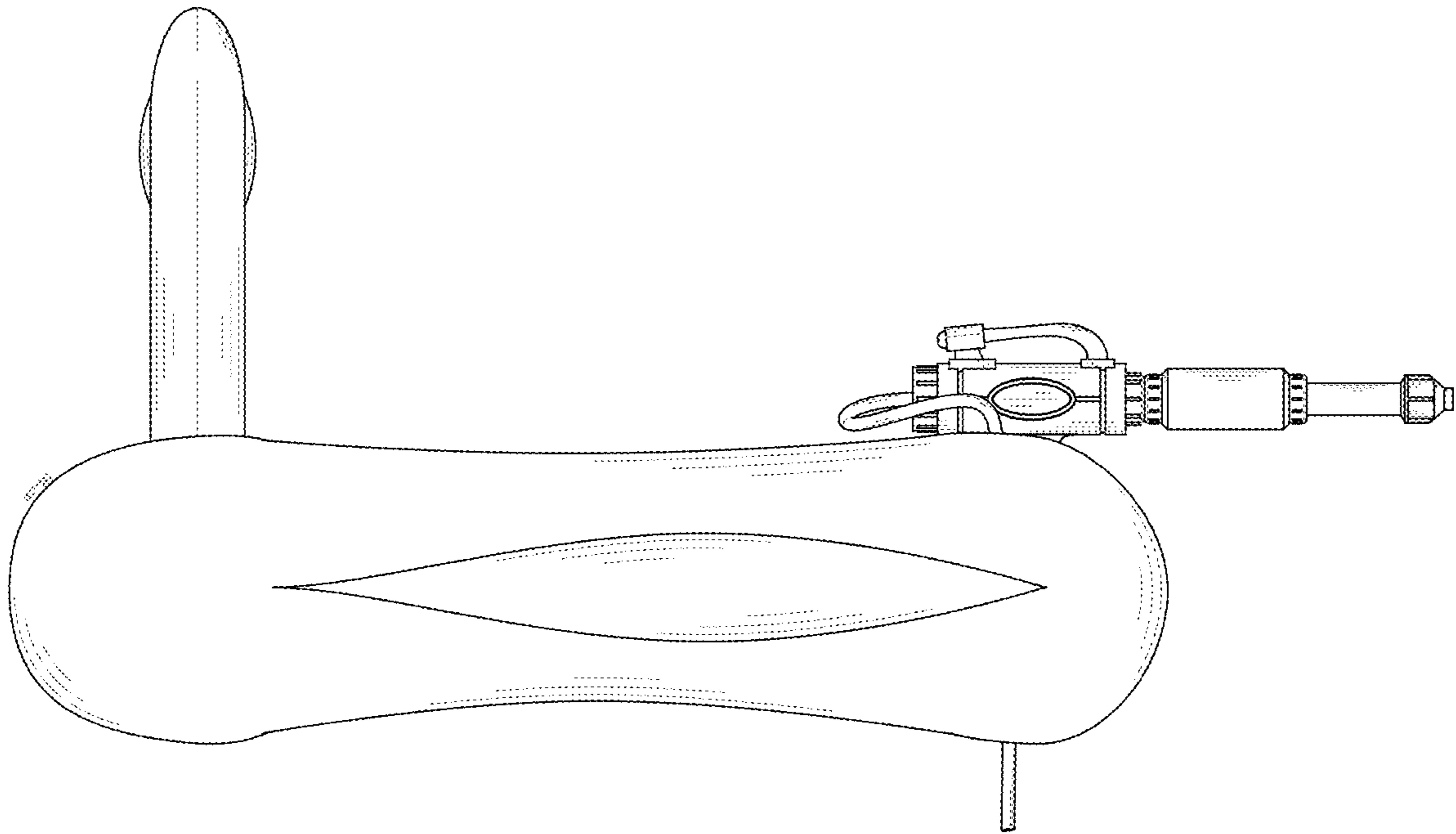


FIG. 2

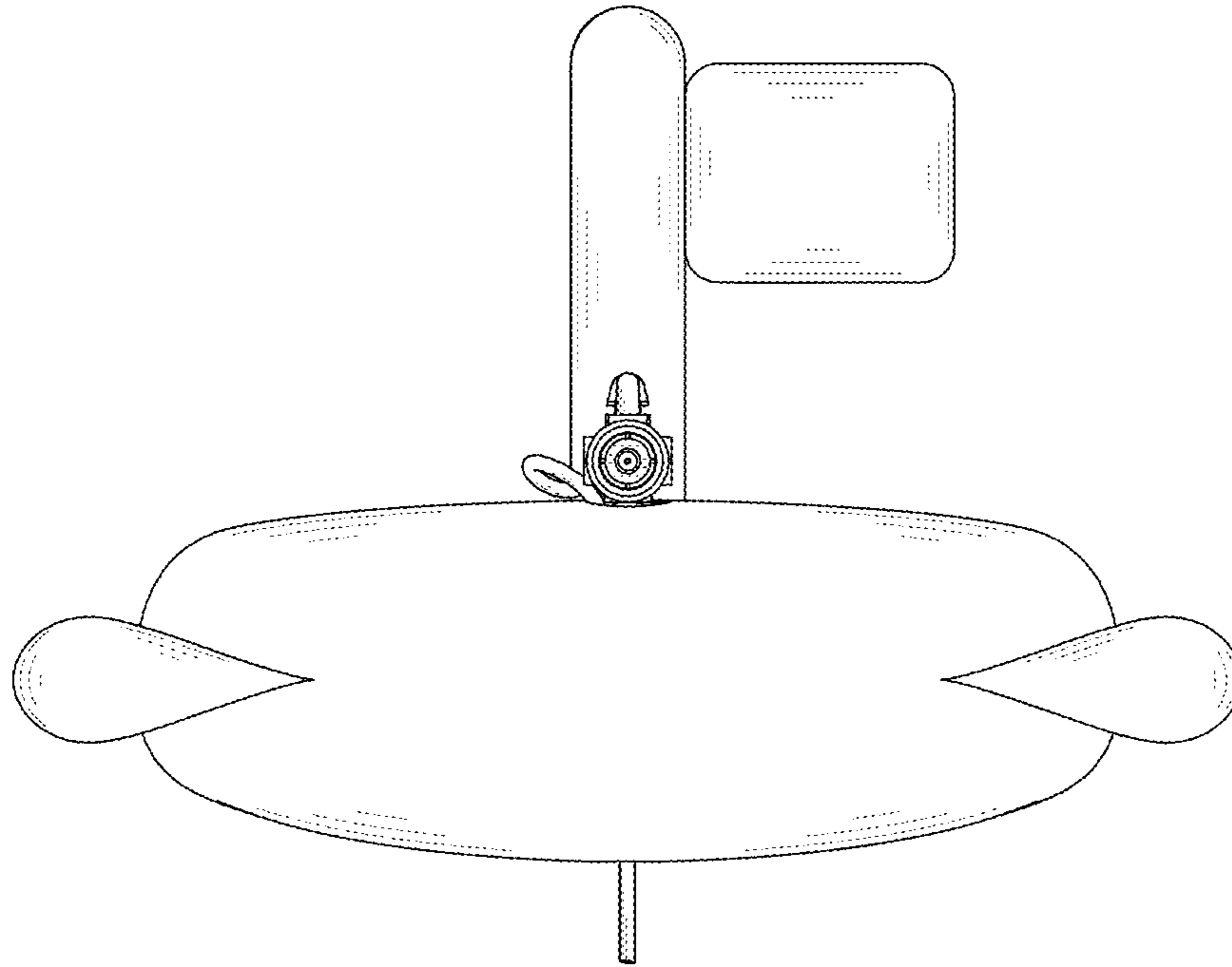


FIG. 3

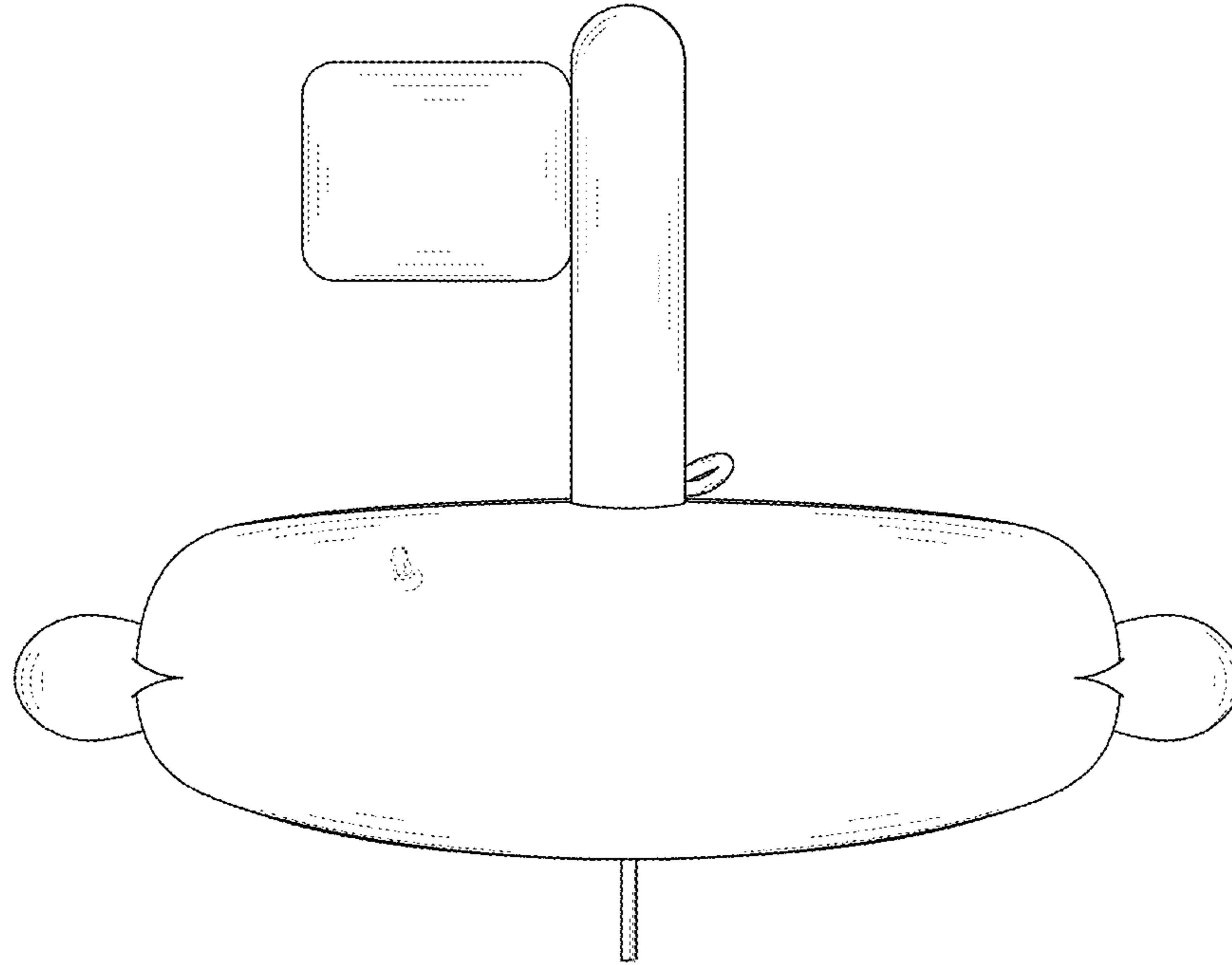


FIG. 4

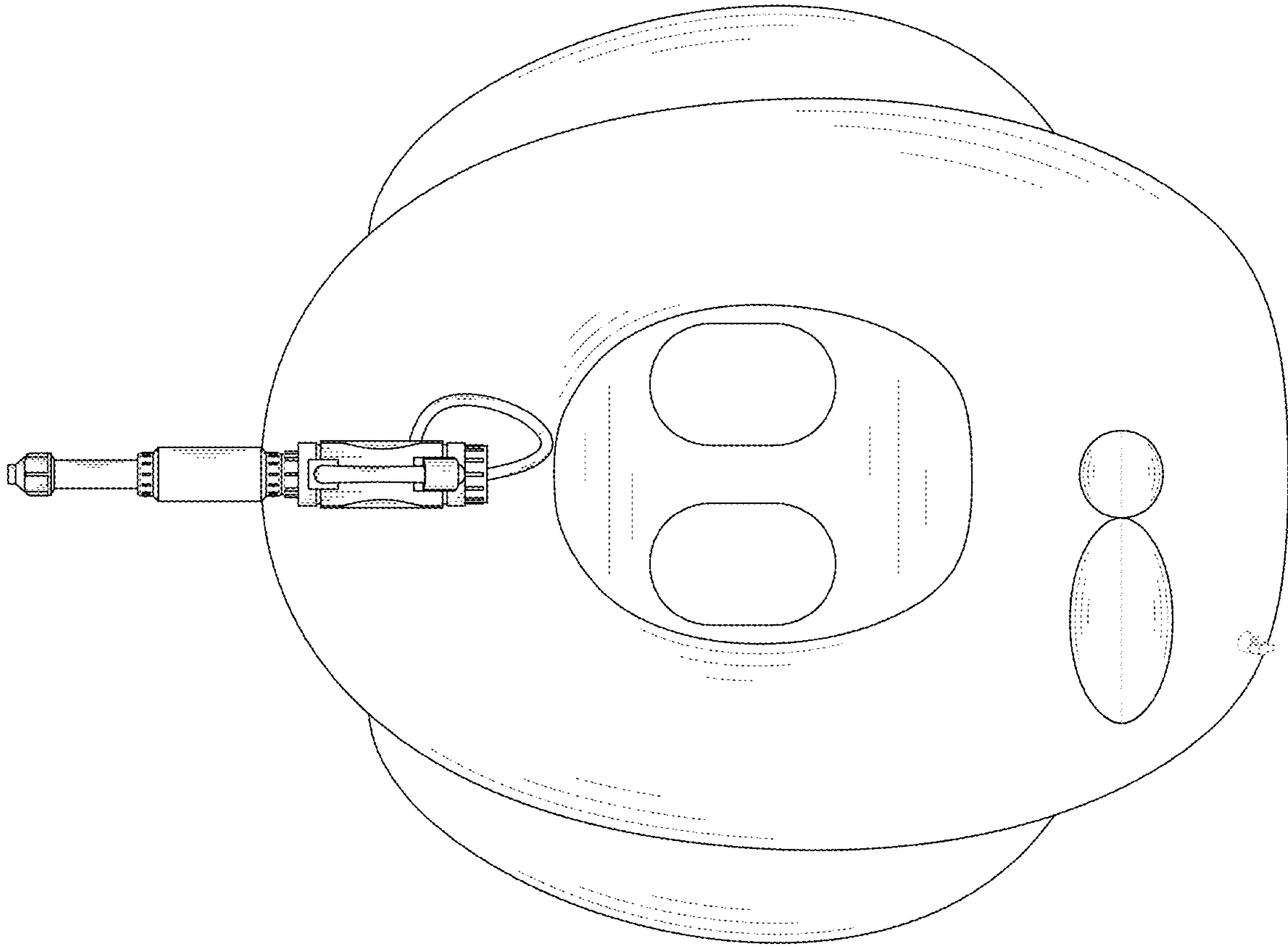


FIG. 5

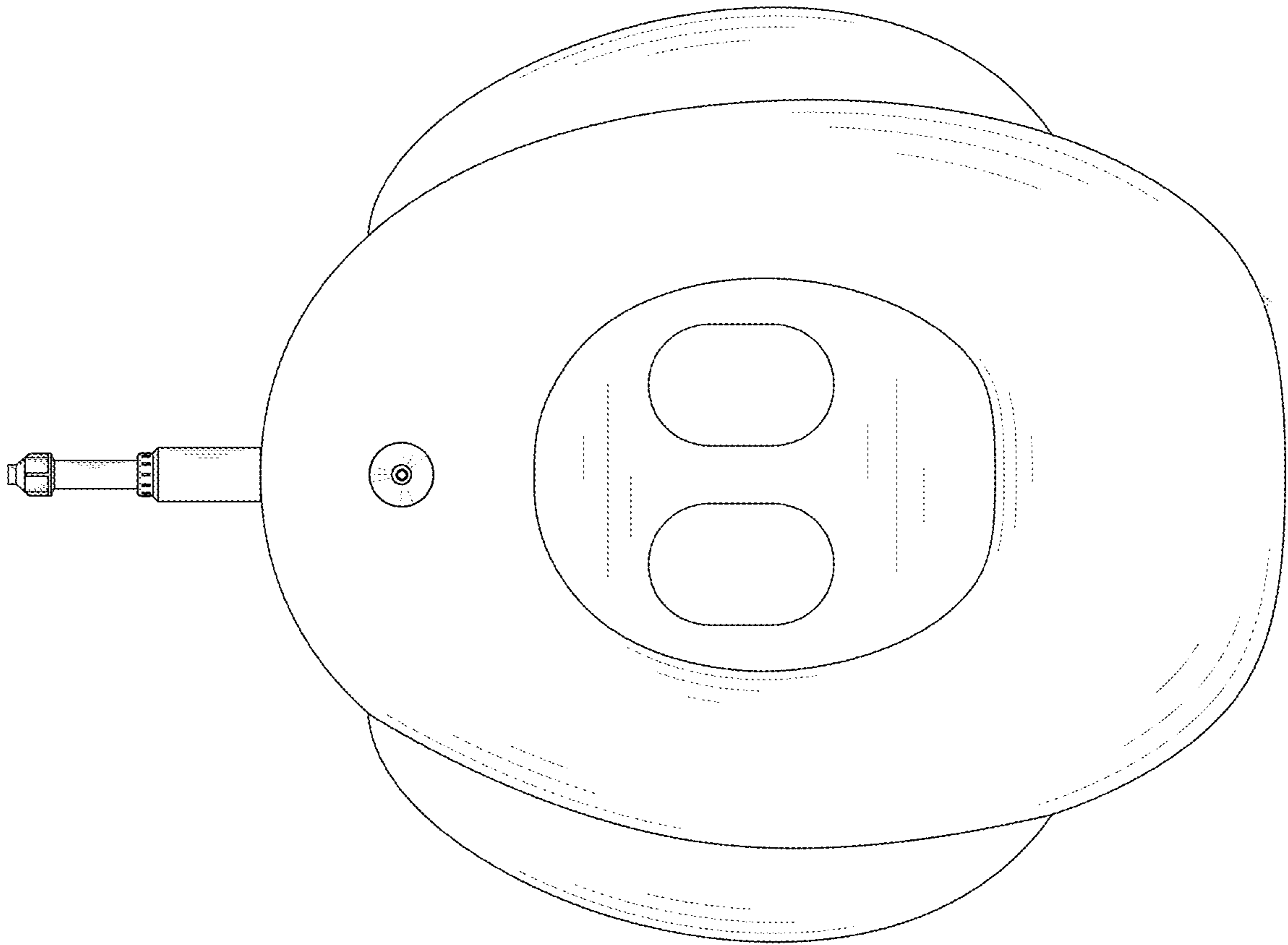


FIG. 6

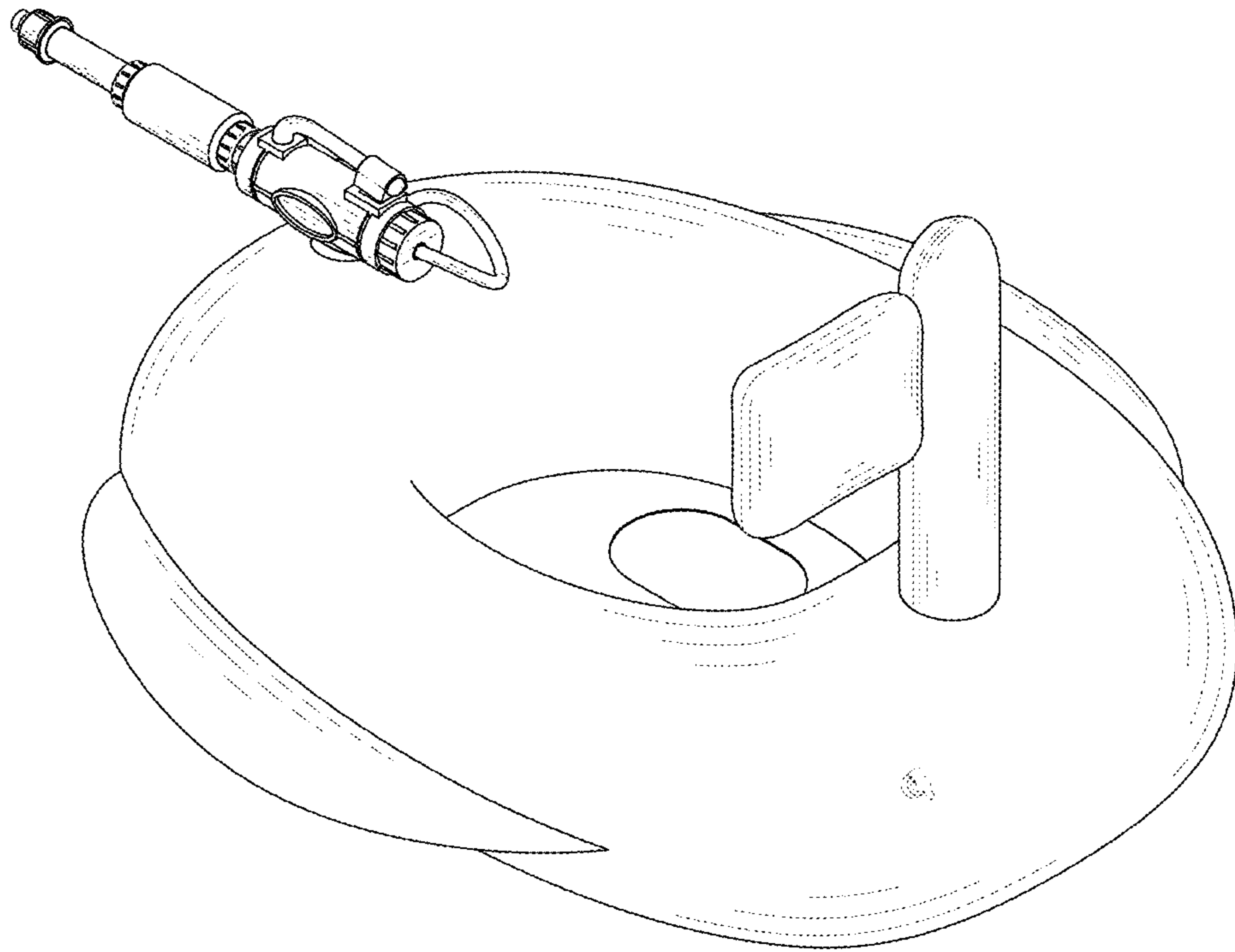


FIG. 7