



US00D925683S

(12) **United States Design Patent** (10) **Patent No.:** **US D925,683 S**
Peterson (45) **Date of Patent:** **** Jul. 20, 2021**

(54) **INFLATABLE TOWABLE VEHICLE**

(71) Applicant: **SDS Asia Limited, BVI #1748971,**
Hong Kong (CN)

(72) Inventor: **Leroy L. Peterson,** Omaha, NE (US)

(73) Assignee: **SDS Asia Limited, BVI #1748971,**
Hong Kong (CN)

(**) Term: **15 Years**

(21) Appl. No.: **29/701,283**

(22) Filed: **Aug. 9, 2019**

(51) **LOC (13) Cl.** **21-02**

(52) **U.S. Cl.**
USPC **D21/803**

(58) **Field of Classification Search**
USPC D21/416, 417, 419, 620, 801, 803, 804,
D21/808, 809, 810, 828; 441/35, 40, 41,
441/65, 66, 67, 72, 73, 74, 80, 87, 88,
441/129, 130, 131, 132, 136
CPC A63B 31/00
See application file for complete search history.

URL: https://www.xkarakara.com/index.php?main_page=product_info&products_id=839133 (Year: 2020).*

“Wow Watersports Double Ducky Towable Tubes” available Sep. 17, 2020, [online], [site visited Sep. 17, 2020]. Retrieved from Internet, URL: <https://www.recreationid.com/wow-watersports/double-ducky-towable-tubes-mpn-19-1050.html?singleid=2430719923> (Year: 2020).*

“Wow Watersports Wow Lucky Ducky 2 Rider Towable” available Sep. 17, 2020, [online], [site visited Sep. 17, 2020]. Retrieved from Internet, URL: <https://www.walmart.com/ip/Wow-Watersports-19-1040-Wow-Lucky-Ducky-2-Rider-Towable/566641176> (Year: 2020).*

* cited by examiner

Primary Examiner — Michael C Stout

Assistant Examiner — Katrina N Gonzalez

(74) *Attorney, Agent, or Firm* — Suiter Swantz pc llo

(57) **CLAIM**

The ornamental design for an inflatable towable vehicle, as shown and described.

(56) **References Cited**

U.S. PATENT DOCUMENTS

D842,413 S *	3/2019	Ligeri	D21/808
D842,414 S *	3/2019	Ligeri	D21/808
D846,679 S *	4/2019	Ligeri	D21/808
D858,674 S *	9/2019	Shu	D21/808
D861,817 S *	10/2019	Lau	D21/808
D873,940 S *	1/2020	Schwimmer	D21/808
D877,272 S *	3/2020	He	D21/808
D877,840 S *	3/2020	Schwimmer	D21/808
D888,177 S *	6/2020	Peterson	D21/803

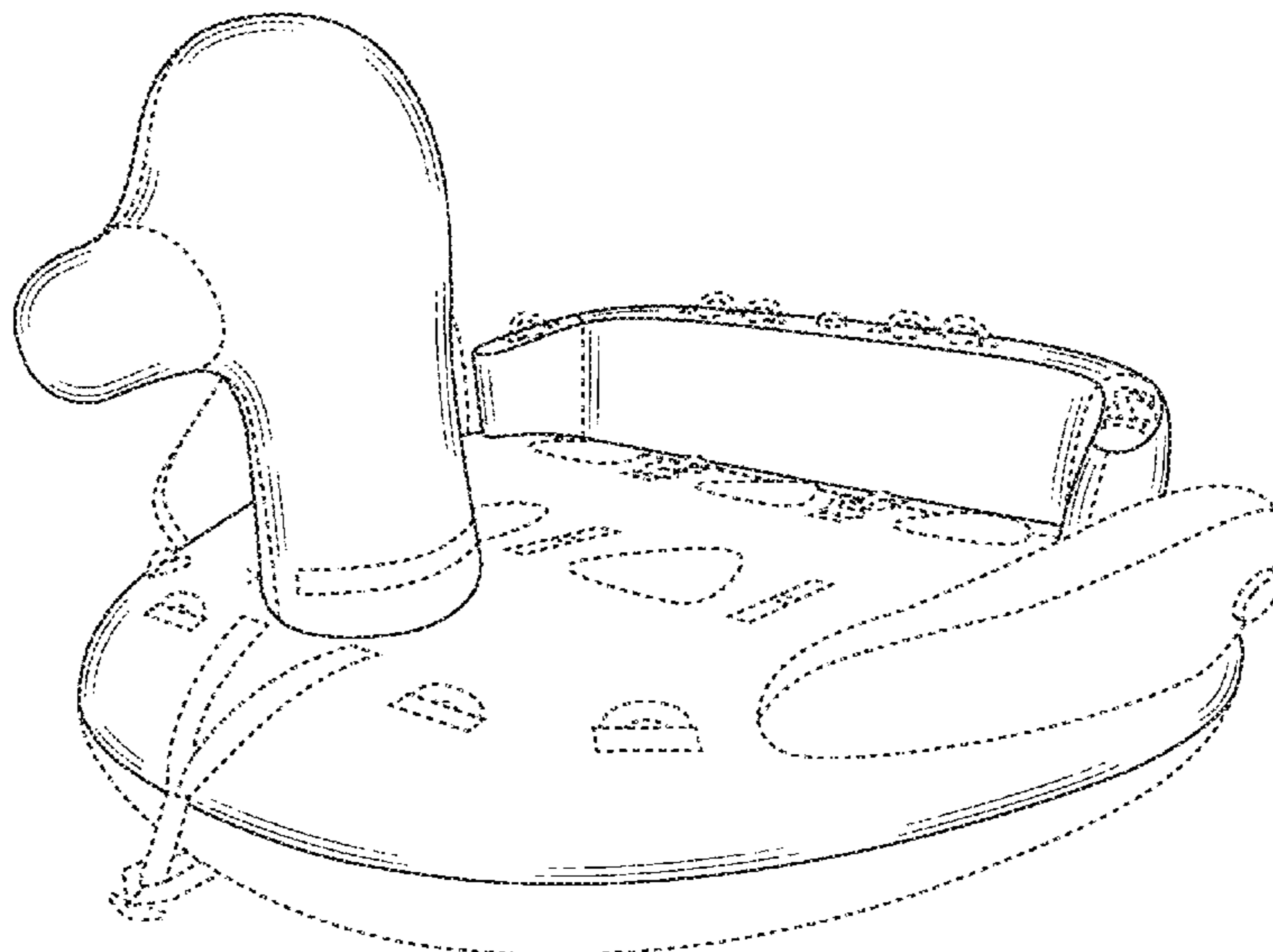
OTHER PUBLICATIONS

“Speed Boat Towable Inflatable Raft” available Sep. 17, 2020, [online], [site visited Sep. 17, 2020]. Retrieved from Internet,

DESCRIPTION

FIG. 1 is a perspective view showing our new design;
FIG. 2 is another perspective view thereof;
FIG. 3 is a top plan view thereof;
FIG. 4 is a bottom plan view thereof
FIG. 5 is a front elevation view thereof;
FIG. 6 is a rear elevation view thereof;
FIG. 7 is a right side elevation view thereof; and,
FIG. 8 is a left side elevation view thereof.
The broken lines illustrate stitching and portions of the inflatable towable vehicle that form no part of the claimed design.

1 Claim, 8 Drawing Sheets



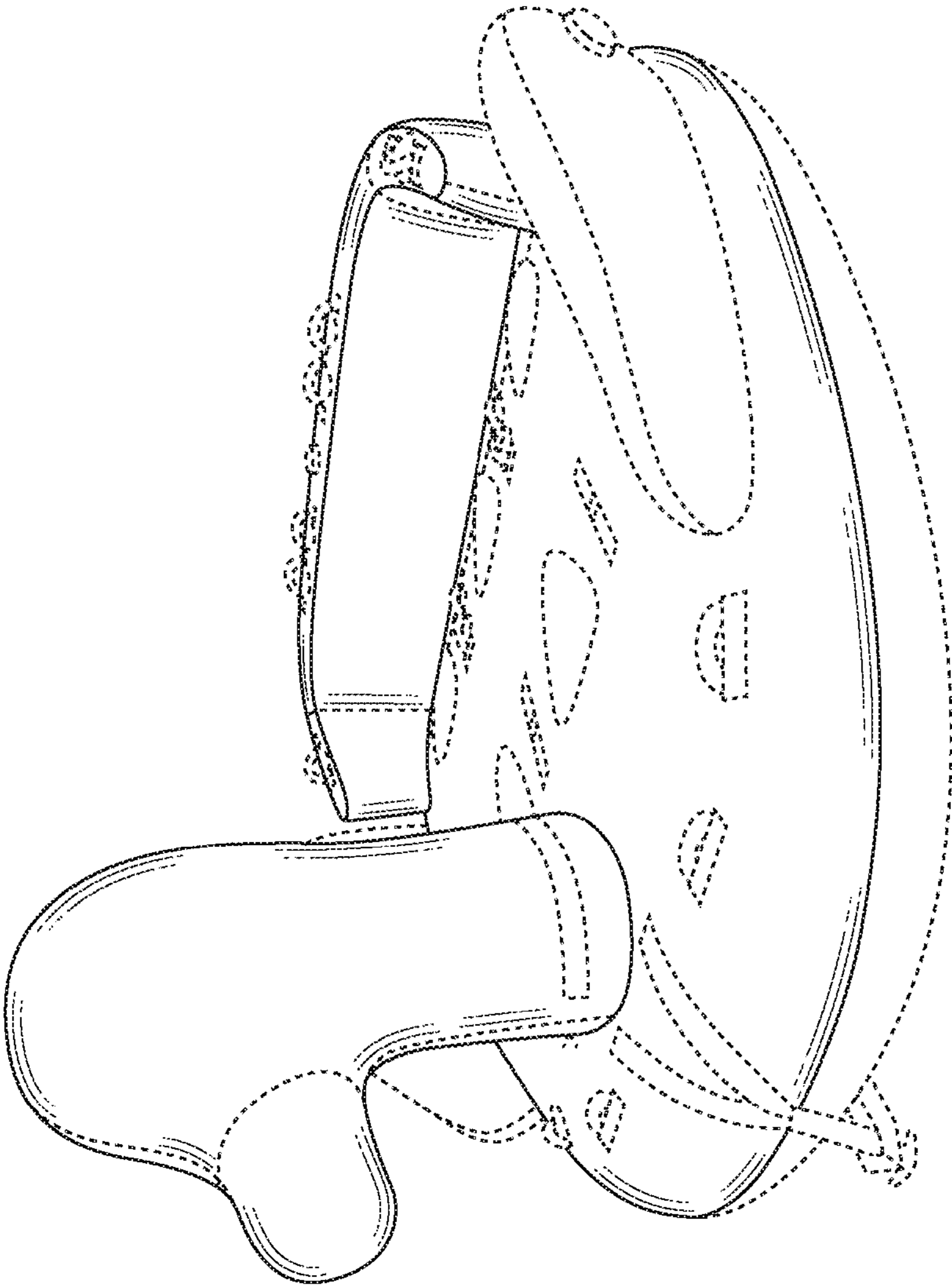


FIG. 1

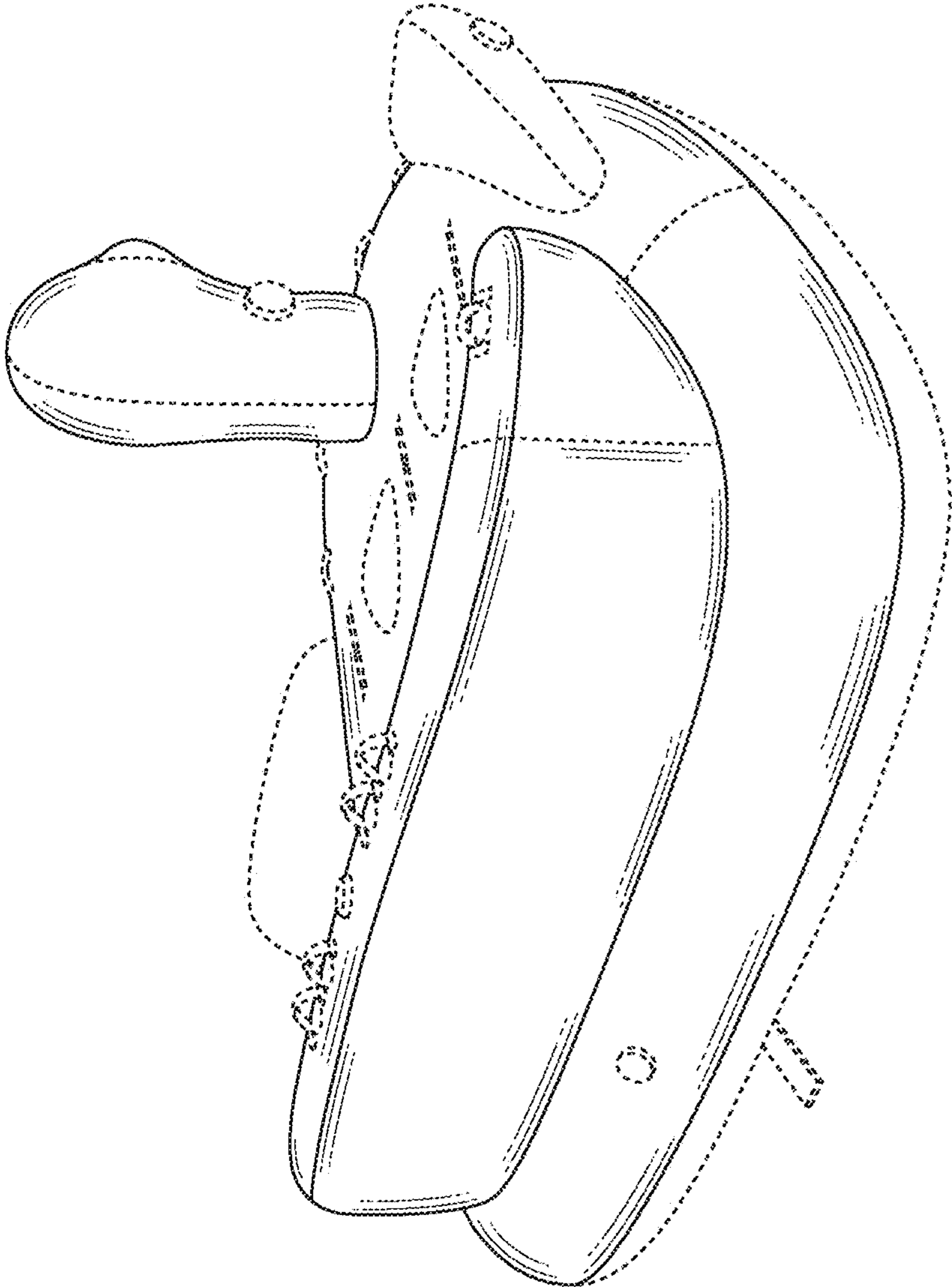


FIG.2

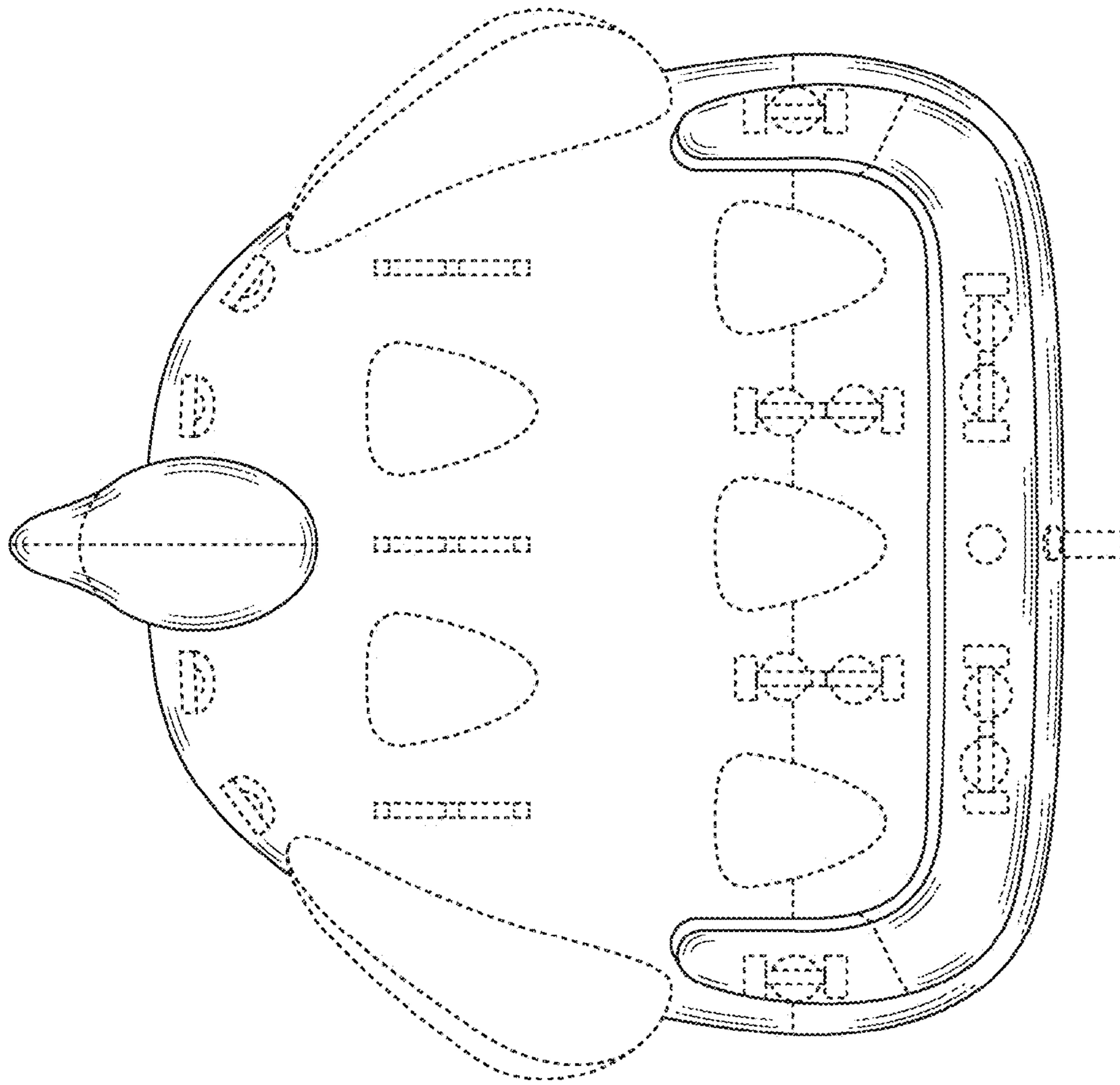


FIG. 3

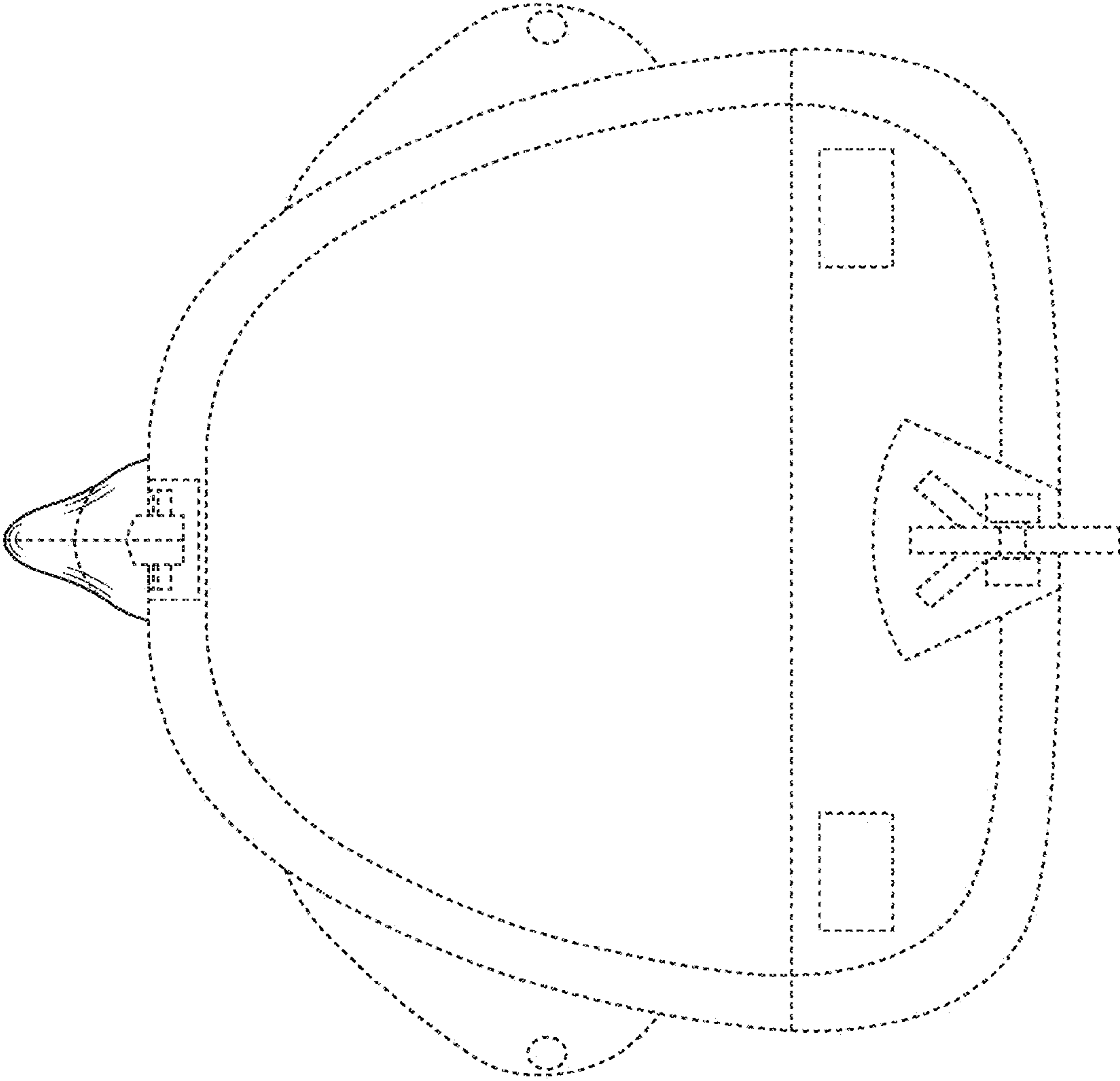


FIG.4

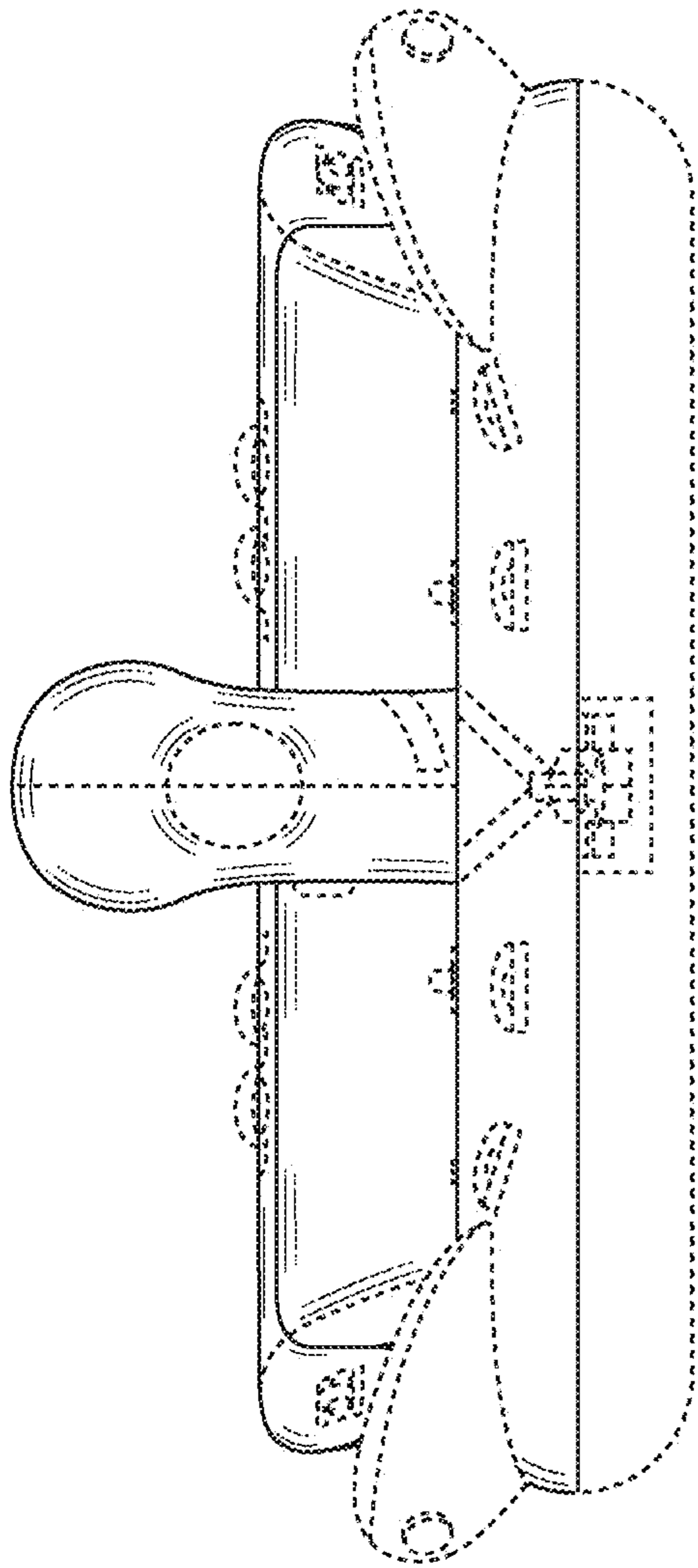


FIG. 5

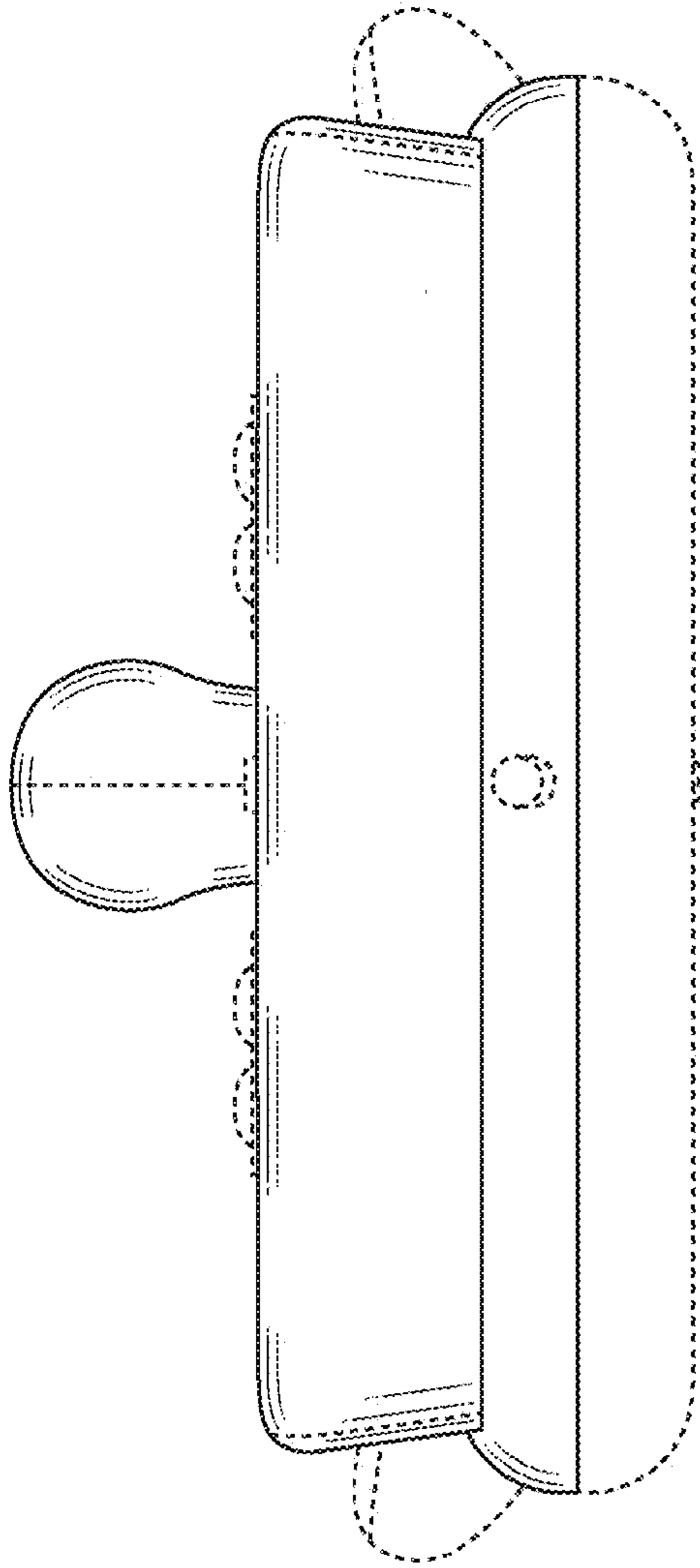


FIG.6

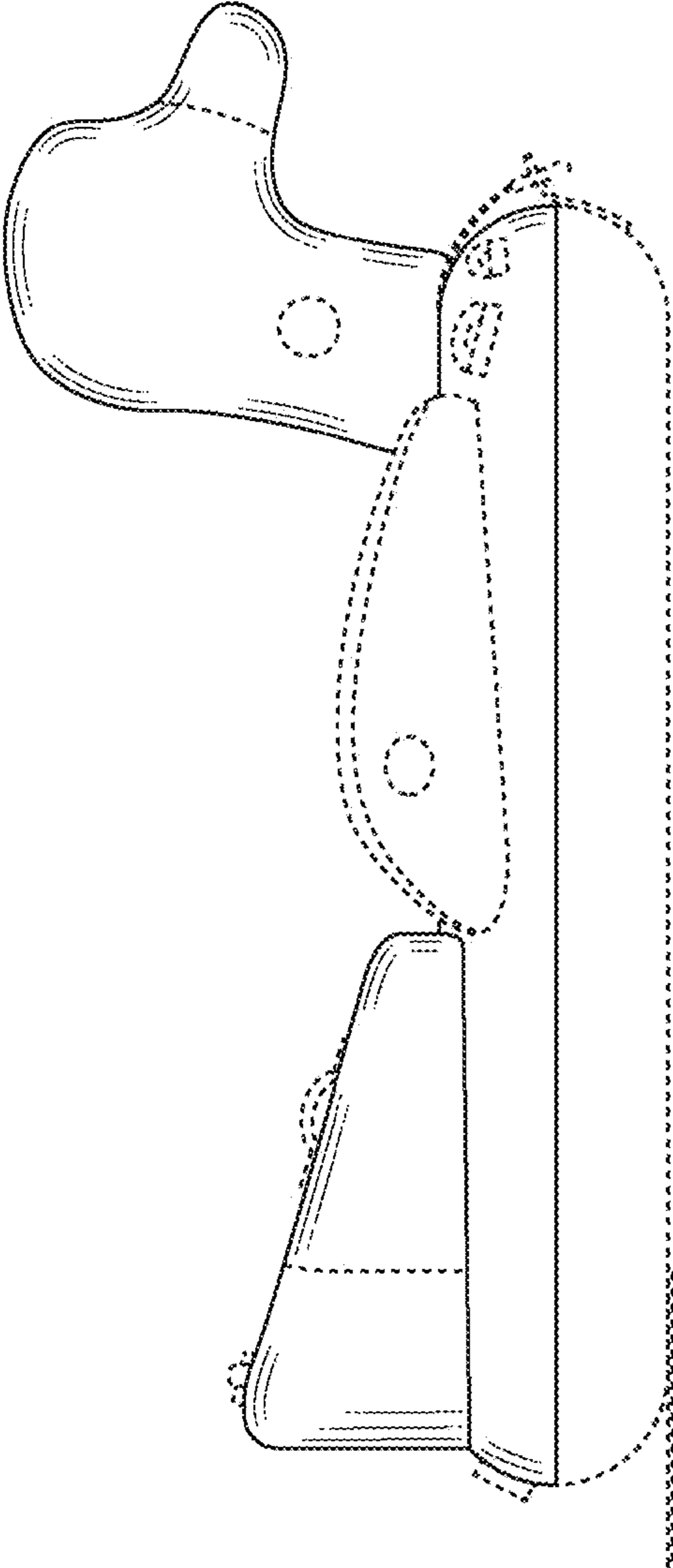


FIG. 7

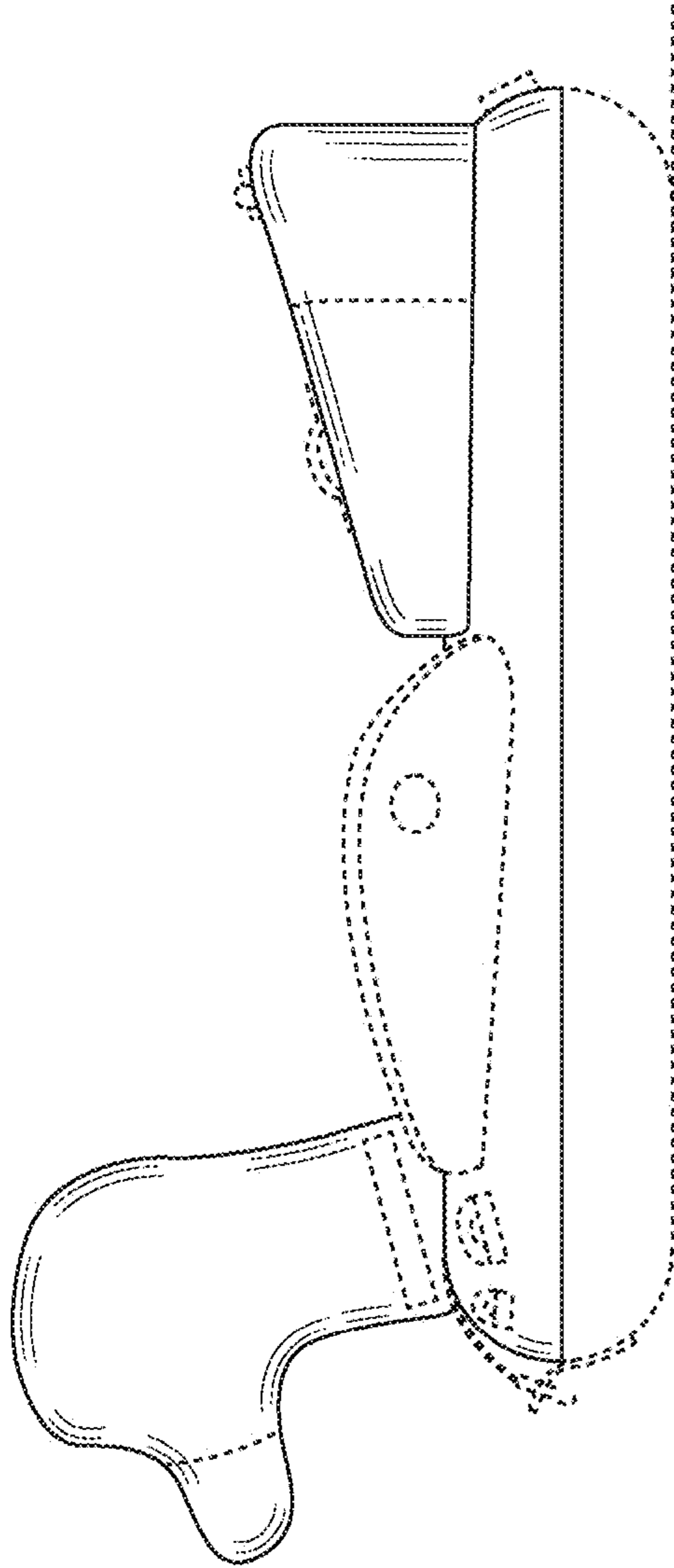


FIG. 8