



US00D925682S

(12) **United States Design Patent** (10) **Patent No.:** **US D925,682 S**
Peterson (45) **Date of Patent:** **** Jul. 20, 2021**

(54) **INFLATABLE TOWABLE VEHICLE**

(71) Applicant: **SDS Asia Limited, BVI #1748971,**
Hong Kong (CN)
(72) Inventor: **Leroy L. Peterson,** Omaha, NE (US)
(73) Assignee: **SDS Asia Limited, BVI # 1748971,**
Hong Kong (CN)
(**) Term: **15 Years**

(21) Appl. No.: **29/701,265**

(22) Filed: **Aug. 9, 2019**

(51) **LOC (13) Cl.** **21-02**

(52) **U.S. Cl.**
USPC **D21/803**

(58) **Field of Classification Search**
USPC D21/416, 417, 419, 620, 801, 803, 804,
D21/808, 809, 810, 828; 441/35, 40, 41,
441/65, 66, 67, 72, 73, 74, 80, 87, 88,
441/129, 130, 131, 132, 136
CPC A63B 31/00
See application file for complete search history.

(56) **References Cited**

U.S. PATENT DOCUMENTS

D393,682 S * 4/1998 Peterson D21/809
D705,375 S * 5/2014 Rubey D21/803
D888,177 S * 6/2020 Peterson D21/803

OTHER PUBLICATIONS

“WOW Big AI Towable for 1-Rider to 4-Riders-19-1070” available
Sep. 17, 2020, [online], [site visited Sep. 17, 2020]. Retrieved from
Internet, URL:https://www.homedepot.com/p/WOW-Big-AI-Towable-
for-1-Rider-to-4-Riders-19-1070/309050983 (Year: 2020).*

* cited by examiner

Primary Examiner — Michael C Stout

Assistant Examiner — Katrina N Gonzalez

(74) *Attorney, Agent, or Firm* — Suiter Swantz pc llo

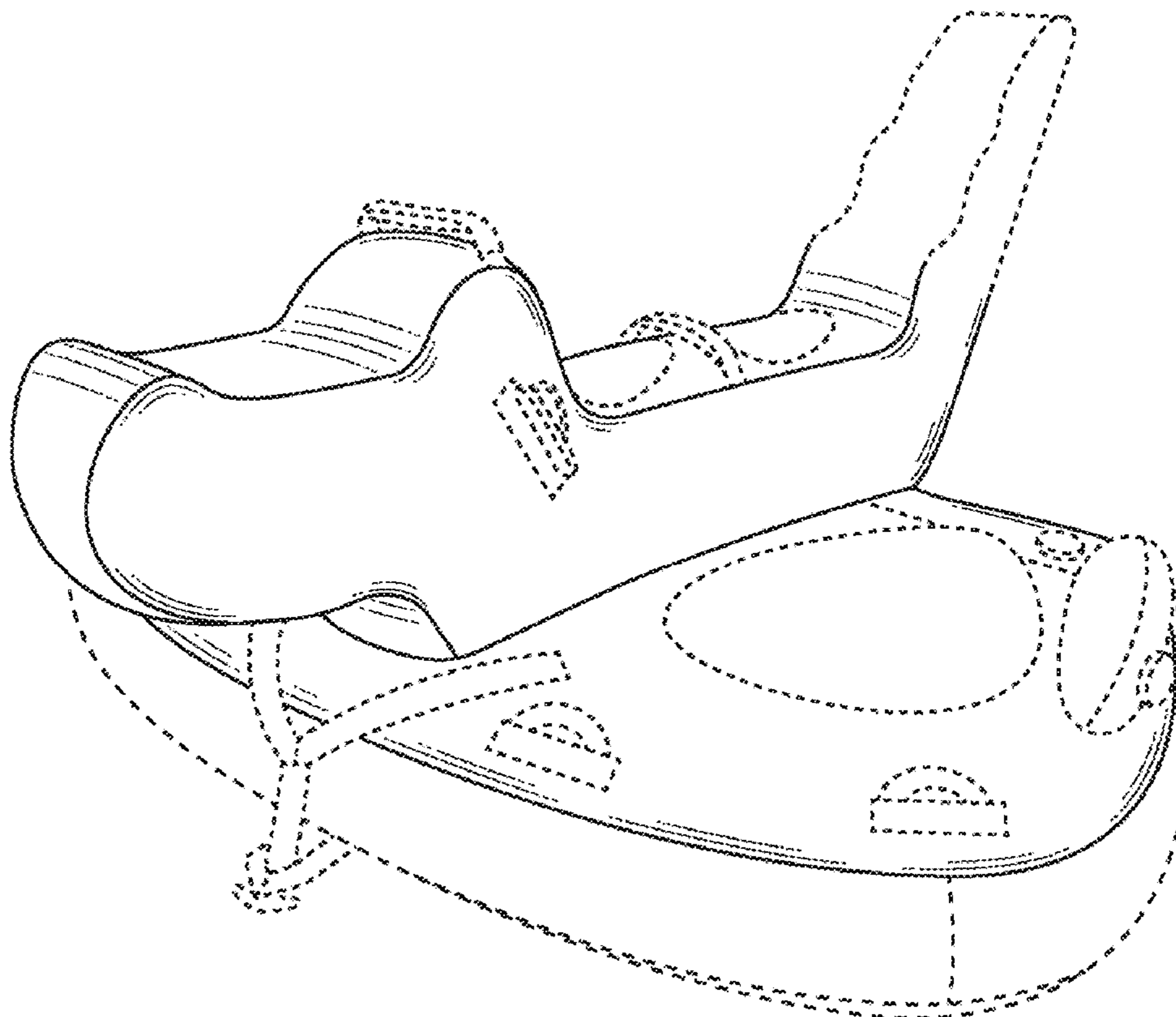
(57) **CLAIM**

The ornamental design for an inflatable towable vehicle, as
shown and described.

DESCRIPTION

FIG. 1 is a perspective view showing our new design;
FIG. 2 is another perspective view thereof;
FIG. 3 is a top plan view thereof;
FIG. 4 is a bottom plan view thereof
FIG. 5 is a front elevation view thereof;
FIG. 6 is a rear elevation view thereof;
FIG. 7 is a right side elevation view thereof; and,
FIG. 8 is a left side elevation view thereof.
The broken lines illustrate portions of the inflatable towable
vehicle that form no part of the claimed design.

1 Claim, 8 Drawing Sheets



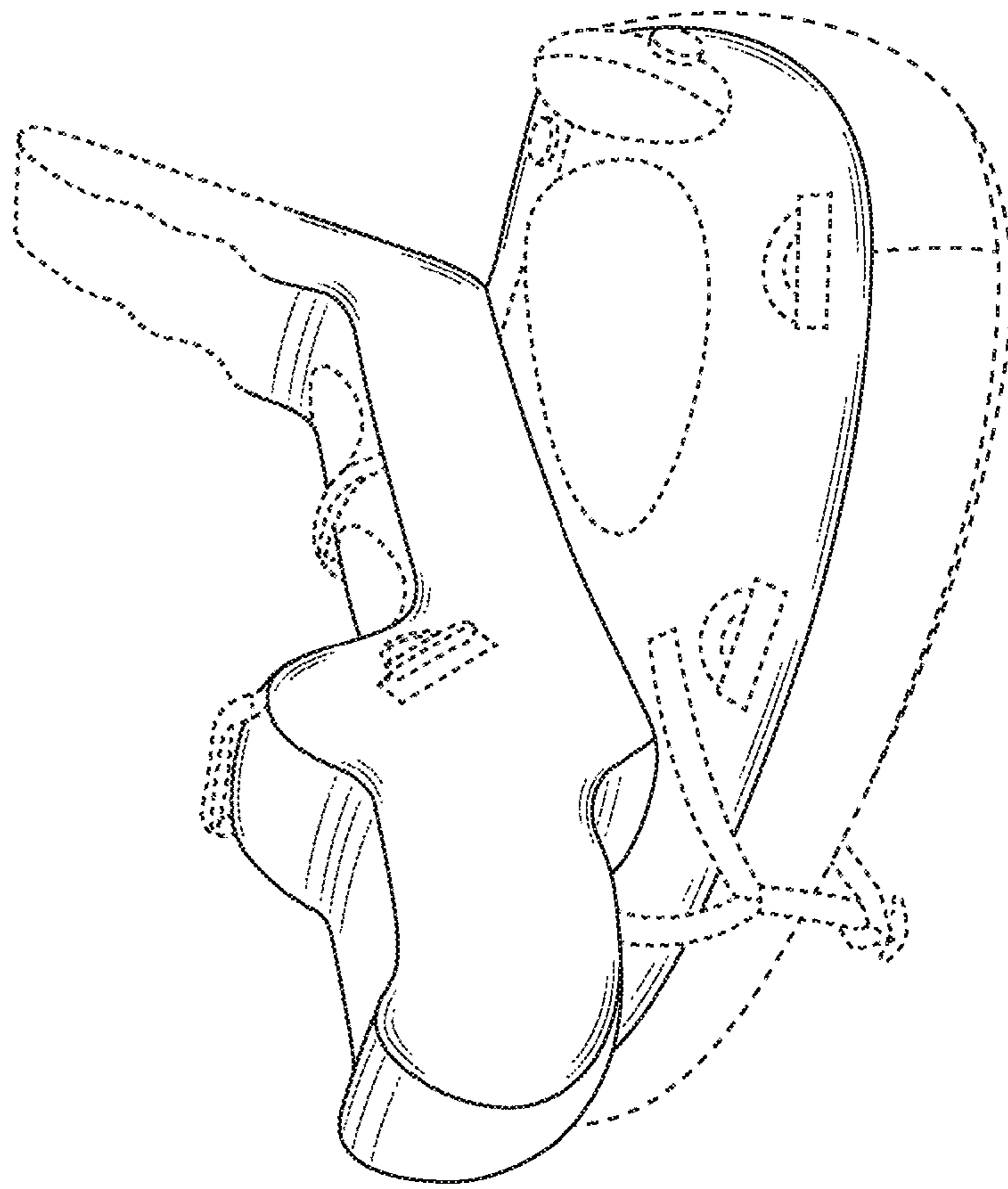


FIG.1

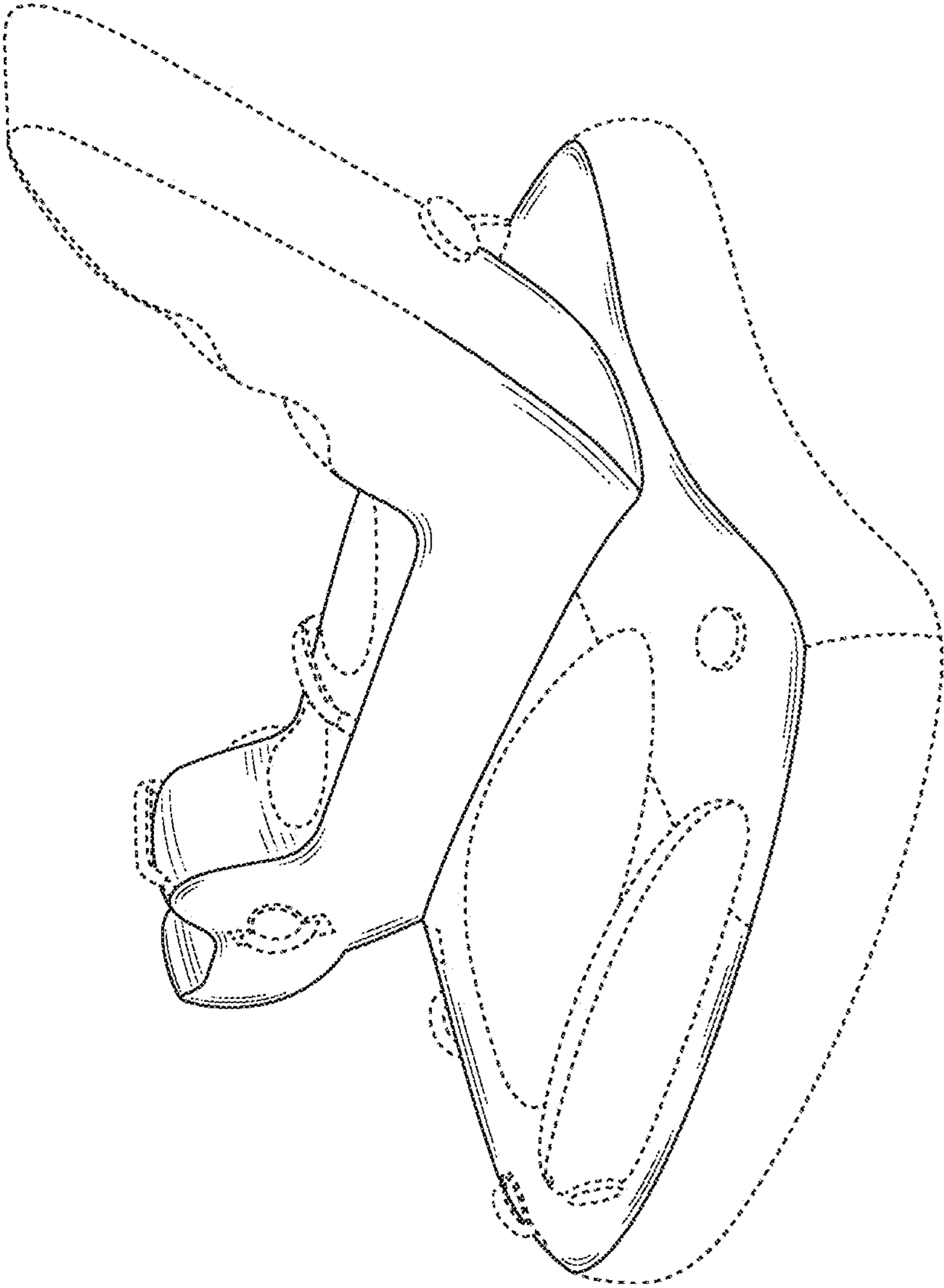


FIG. 2

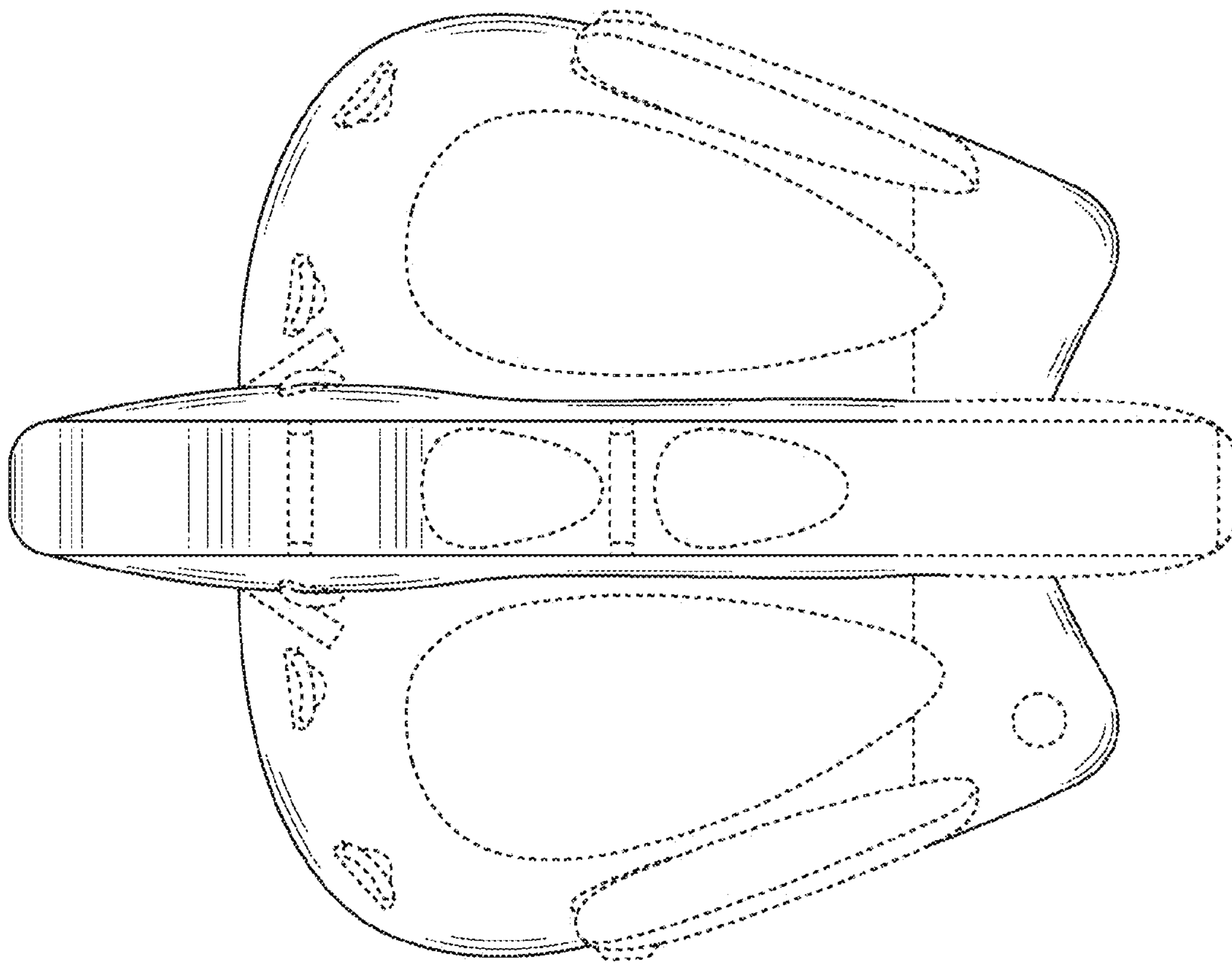


FIG. 3

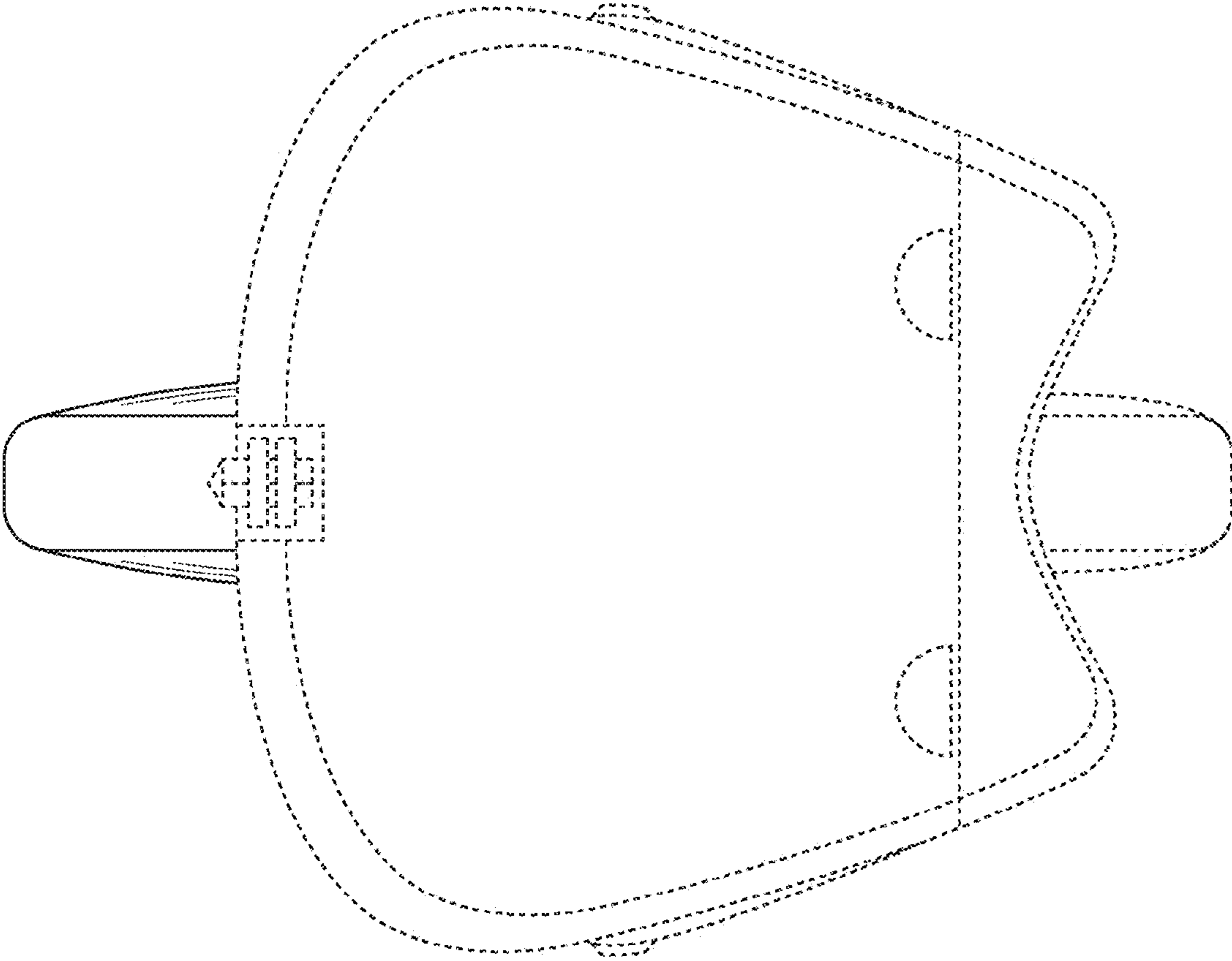


FIG.4

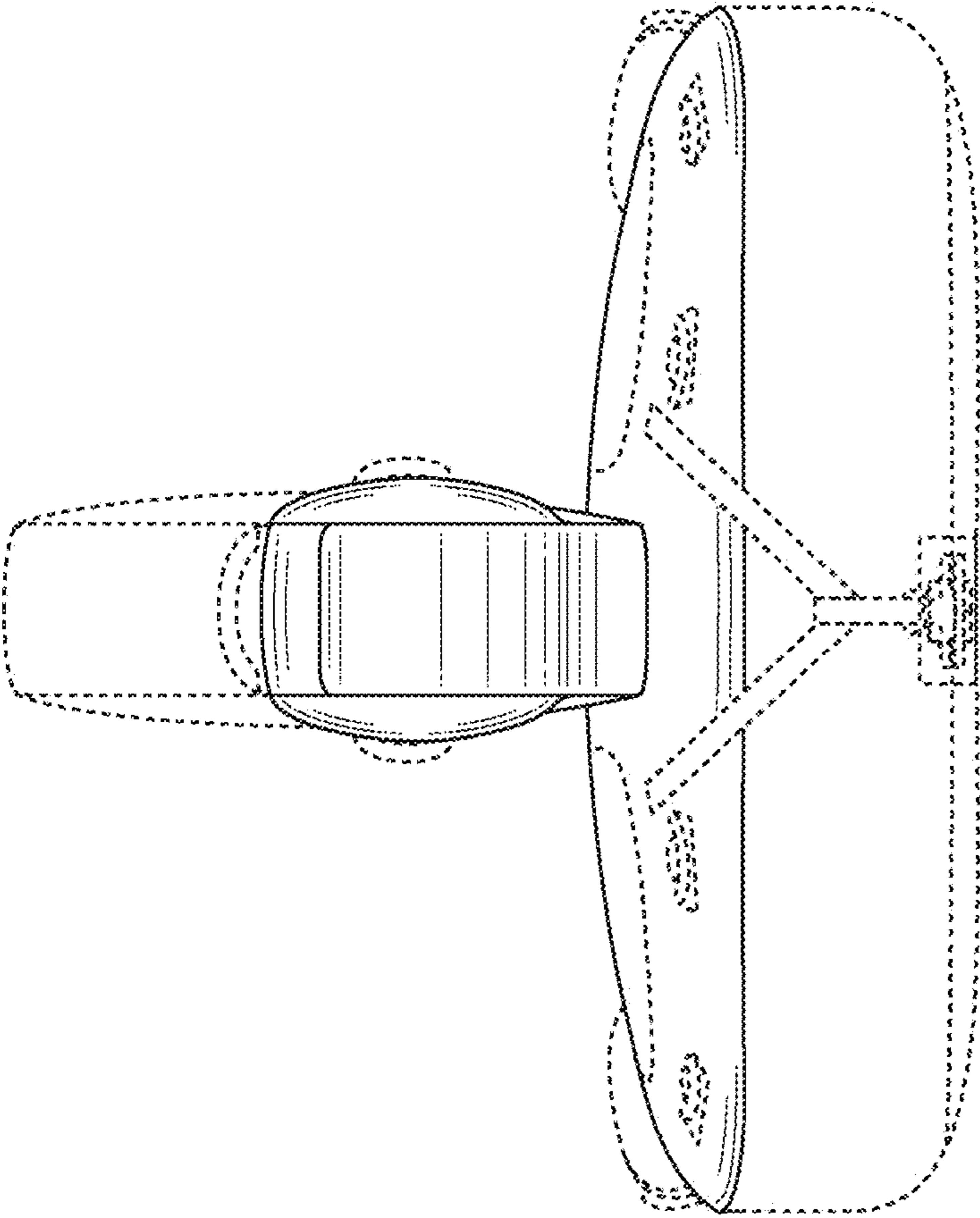


FIG. 5

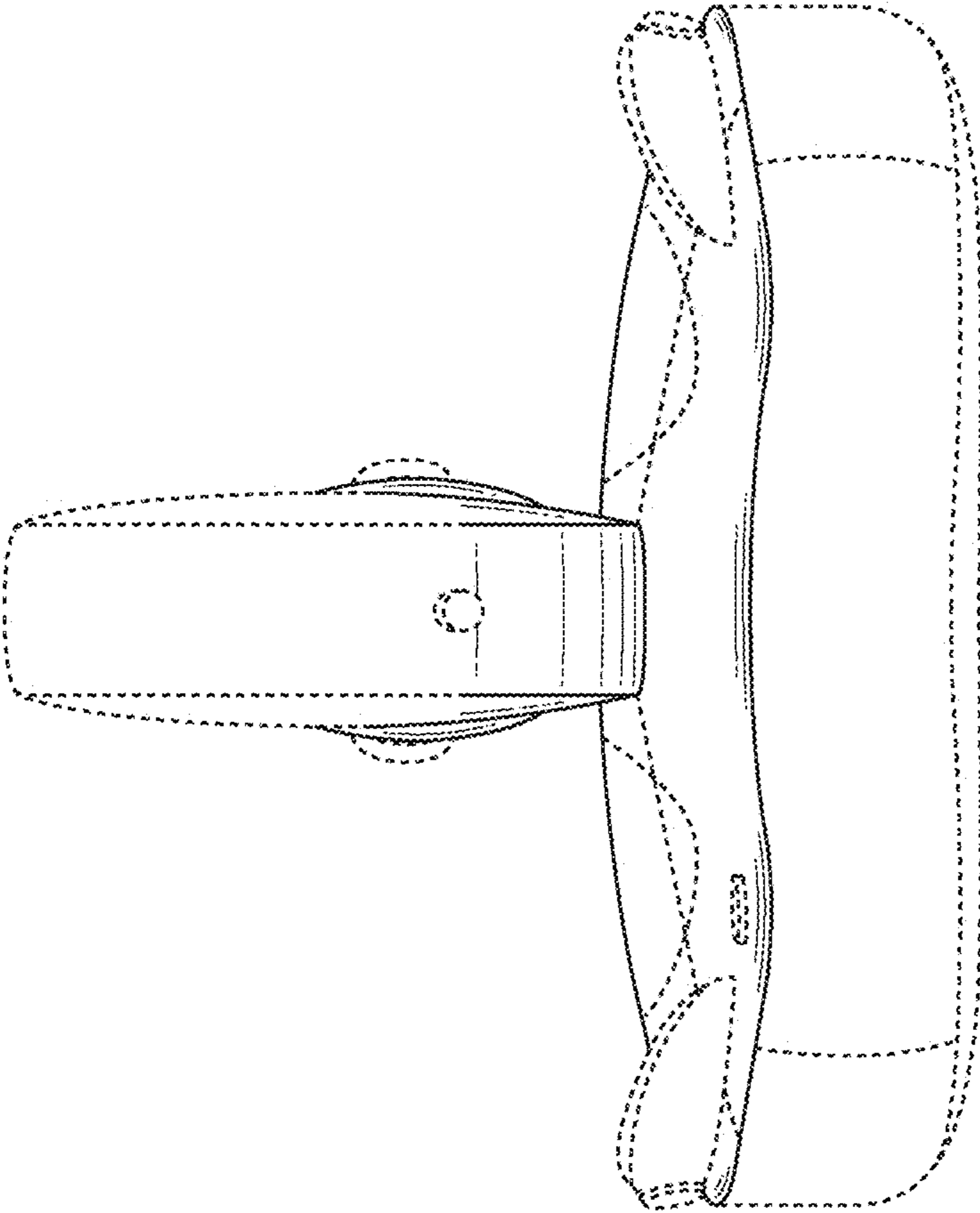


FIG.6

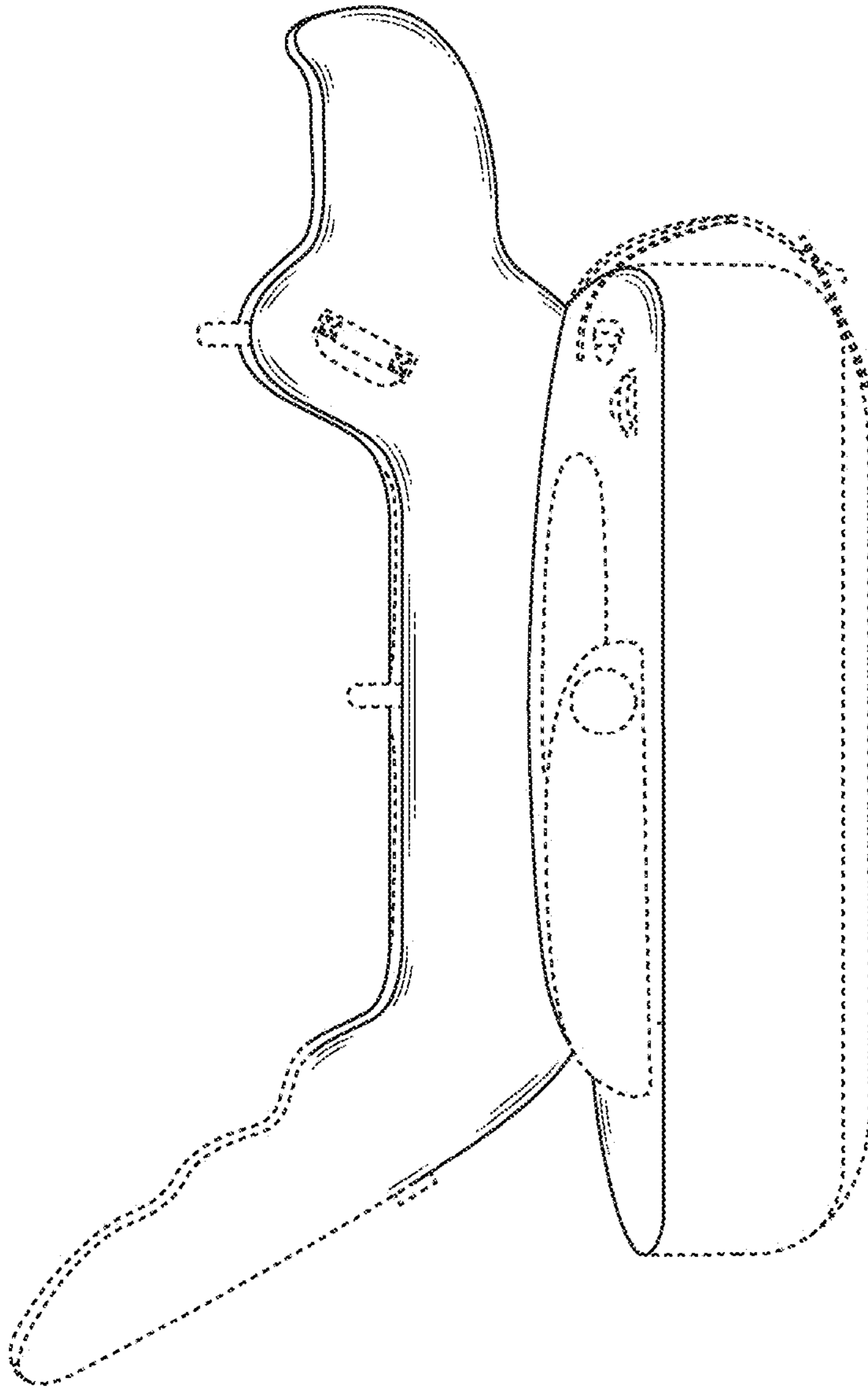


FIG.7

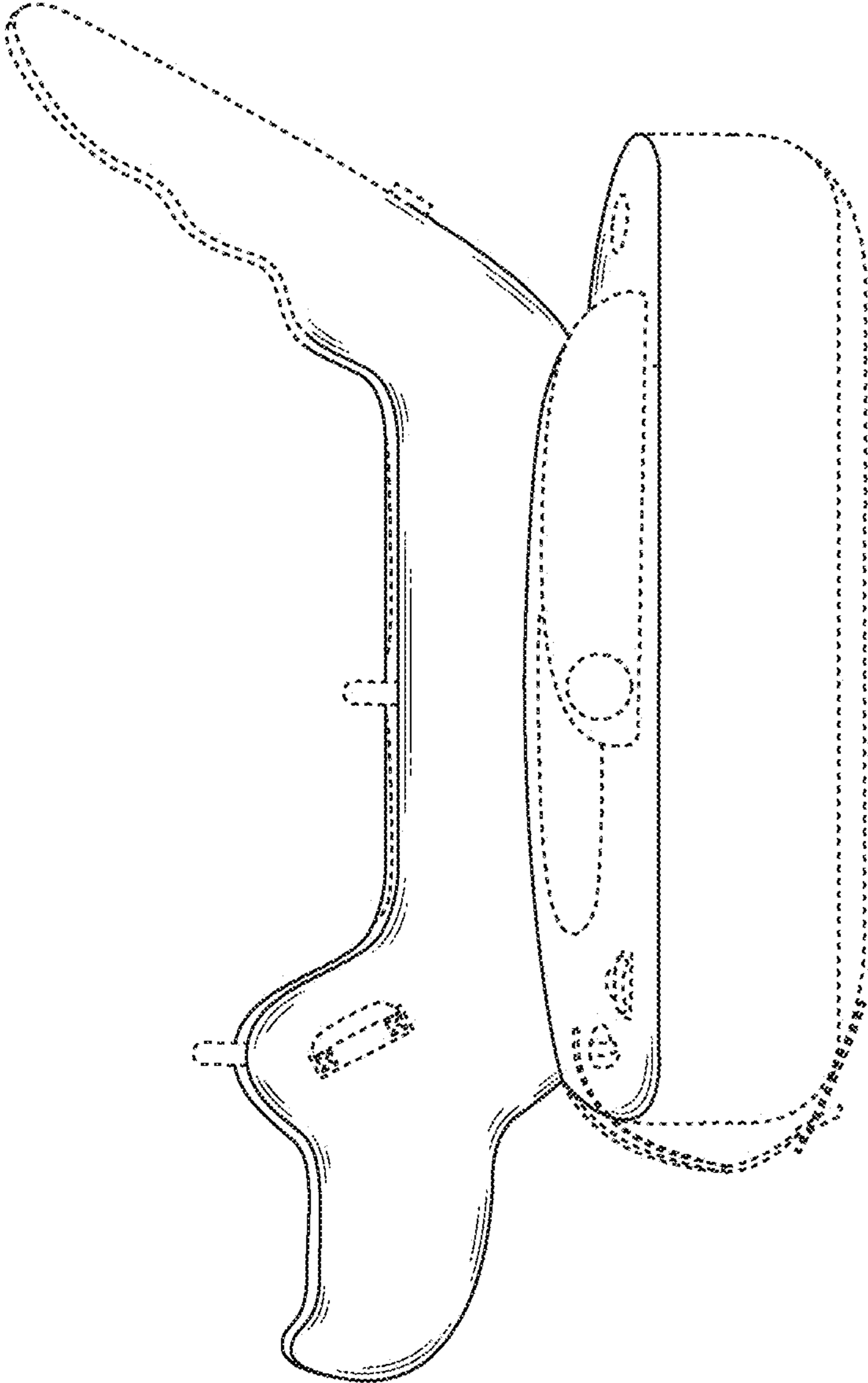


FIG. 8