



US00D925681S

(12) **United States Design Patent**  
**Pitkänen**

(10) **Patent No.:** **US D925,681 S**

(45) **Date of Patent:** **\*\* Jul. 20, 2021**

- (54) **ATHLETIC EQUIPMENT**
- (71) Applicant: **Lappset Group Oy**, Rovaniemi (FI)
- (72) Inventor: **Saska Pitkänen**, Rovaniemi (FI)
- (73) Assignee: **Lappset Group Oy**, Rovaniemi (FI)
- (\*\*) Term: **15 Years**
- (21) Appl. No.: **29/739,342**
- (22) Filed: **Jun. 24, 2020**

4,095,858 A *	6/1978	Hopf .....	A47B 87/0276 211/194
D250,867 S *	1/1979	Elliott .....	D6/672
D265,702 S *	8/1982	Savas .....	D6/675.4
4,574,960 A *	3/1986	Shikatani .....	A47F 5/00 211/189
D300,190 S *	3/1989	Shikatani .....	D6/675.4
5,161,699 A *	11/1992	Hanna .....	A47F 5/11 211/130.1
D332,184 S *	1/1993	Becker .....	D6/673
D351,048 S *	9/1994	Gaynor .....	D19/85
D360,764 S *	8/1995	Collins .....	D6/675.3
D445,274 S *	7/2001	Gasmi .....	D6/553
D590,635 S *	4/2009	Beckerman .....	D6/683.1

**Related U.S. Application Data**

- (62) Division of application No. 29/673,664, filed on Dec. 17, 2018, now Pat. No. Des. 914,124.

**Foreign Application Priority Data**

- Oct. 5, 2018 (EM) ..... 005761053
- (51) **LOC (13) Cl.** ..... **21-02**
- (52) **U.S. Cl.**  
USPC ..... **D21/797; D6/675.4**
- (58) **Field of Classification Search**  
USPC ..... D6/641, 642, 672, 673, 675.3, 675.4,  
D6/685; D21/797  
CPC ..... A47F 3/004; A47F 3/02  
See application file for complete search history.

**References Cited**

**U.S. PATENT DOCUMENTS**

- 3,771,795 A \* 11/1973 Flanigen ..... A63F 9/12  
273/157 R
- D245,047 S \* 7/1977 Dogliotti ..... D6/675.4

\* cited by examiner

*Primary Examiner* — Michael C Stout

*Assistant Examiner* — Melvin L Davis

(74) *Attorney, Agent, or Firm* — Leason Ellis LLP

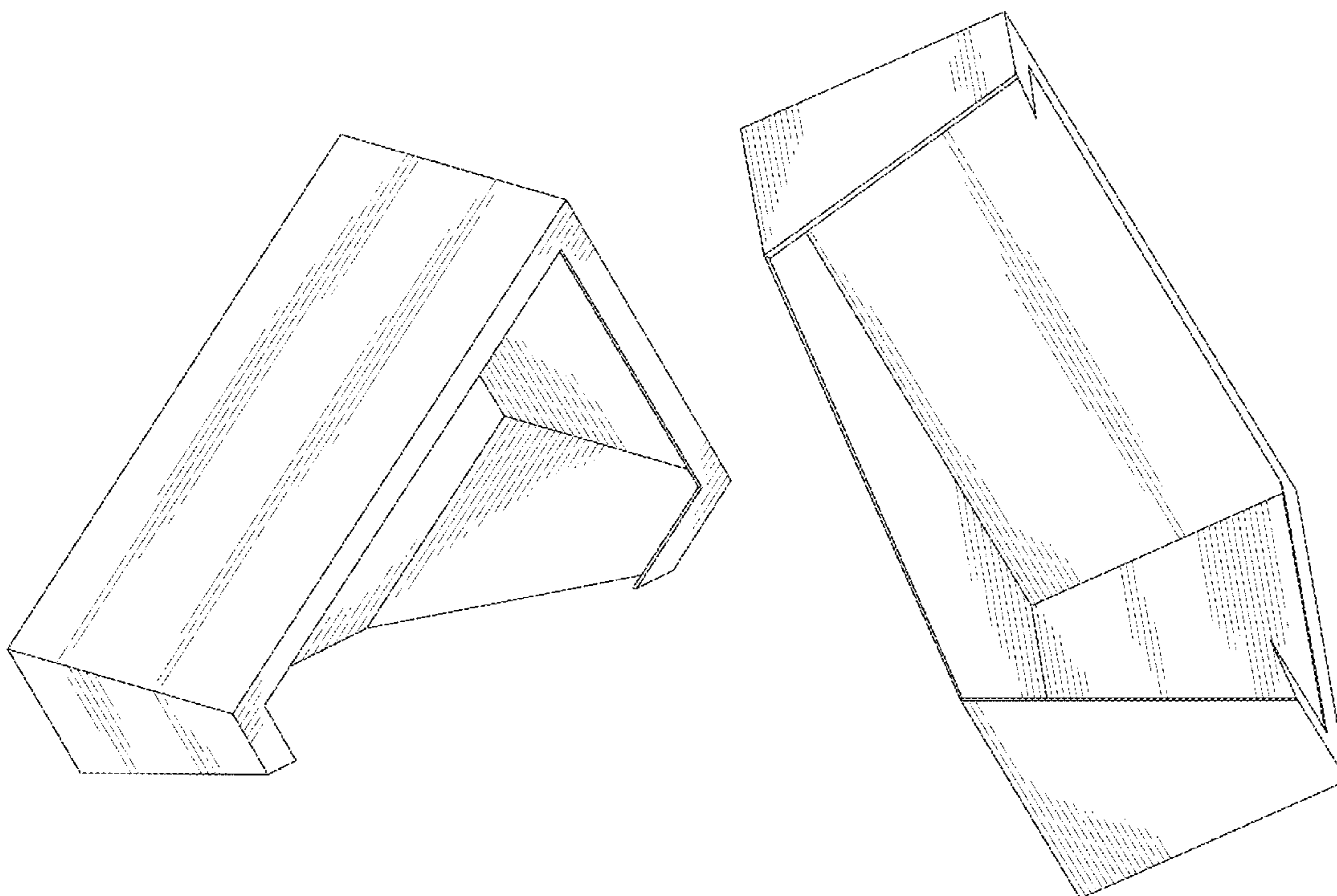
**CLAIM**

(57) The ornamental design for athletic equipment, as shown and described.

**DESCRIPTION**

FIG. 1 is a perspective view of athletic equipment, showing my new design;  
 FIG. 2 is a left side view of the design of FIG. 1;  
 FIG. 3 is a right side view of the design of FIG. 1;  
 FIG. 4 is a rear view of the design of FIG. 1;  
 FIG. 5 is a front view of the design of FIG. 1;  
 FIG. 6 is top view of the design of FIG. 1; and,  
 FIG. 7 is a bottom view of the design of FIG. 1.

**1 Claim, 7 Drawing Sheets**



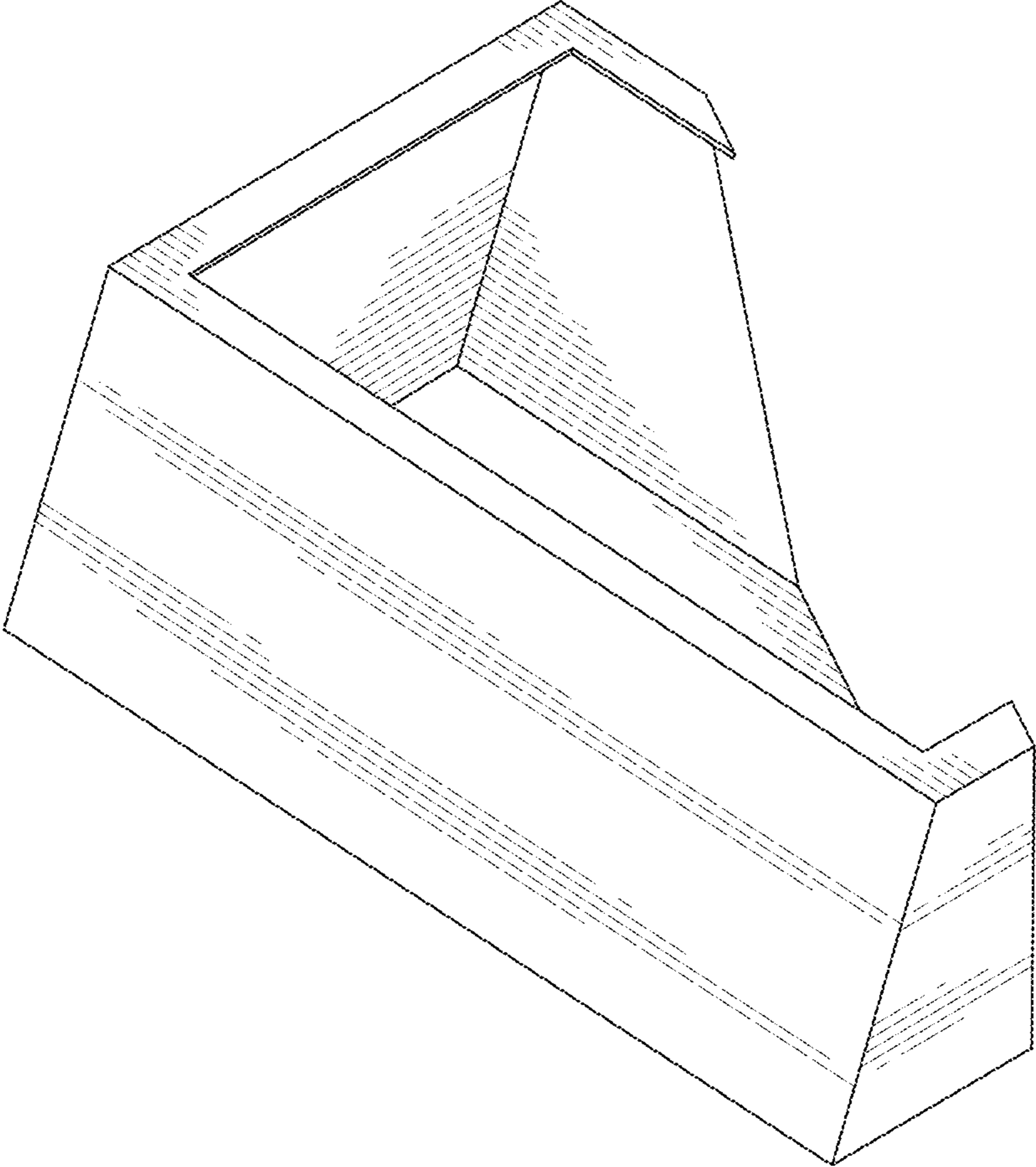


Fig. 1

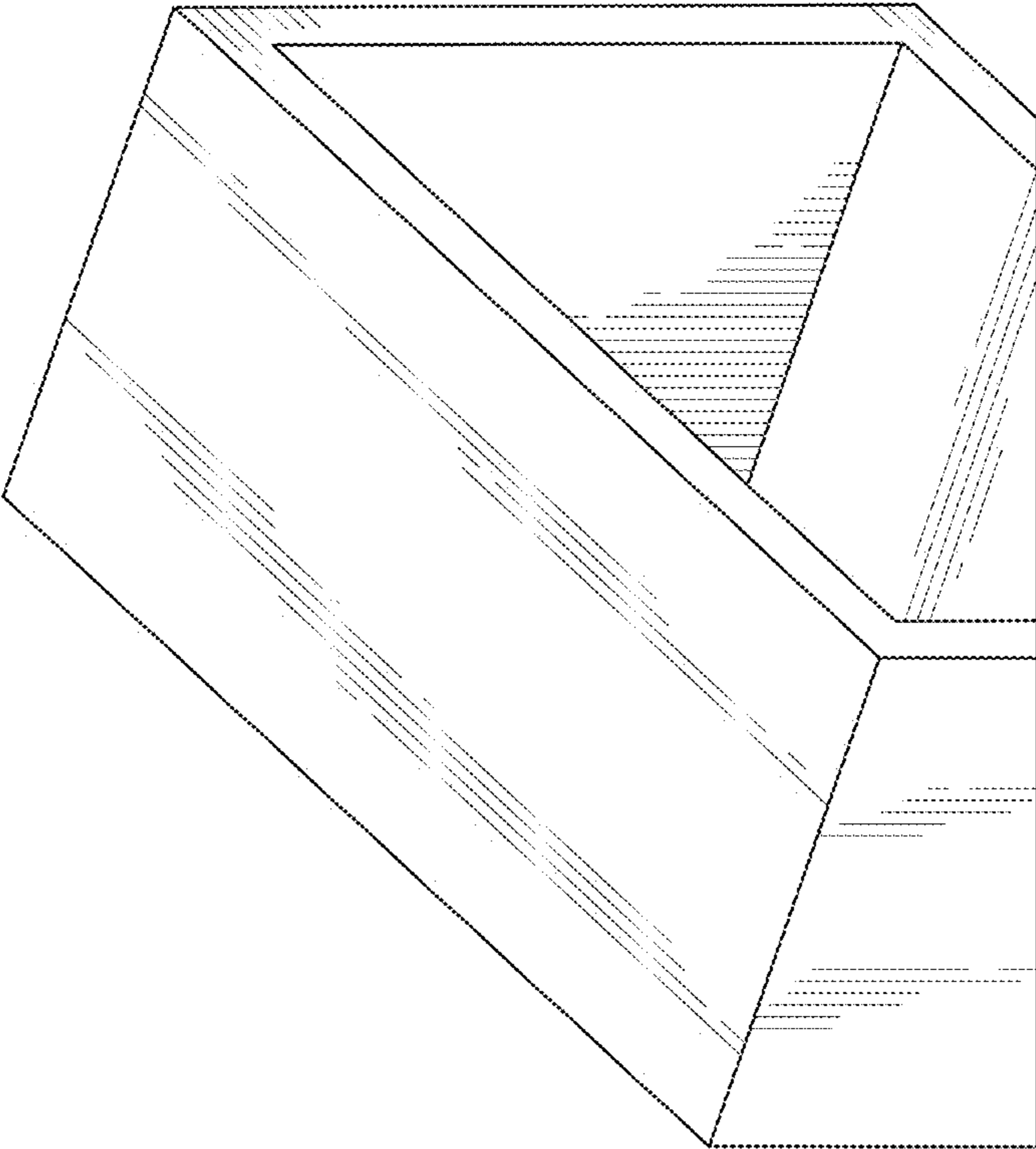


Fig. 2

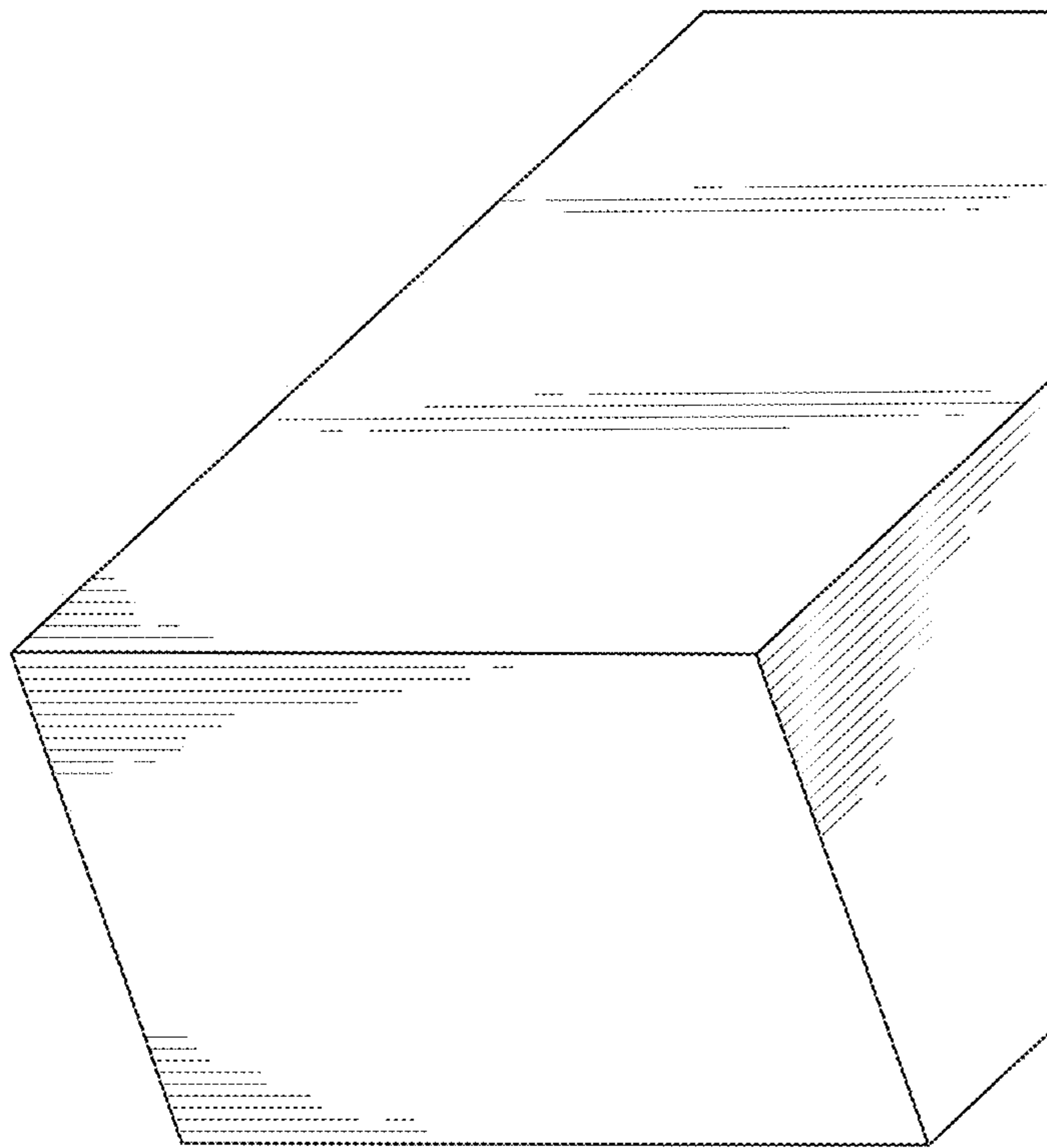


Fig. 3

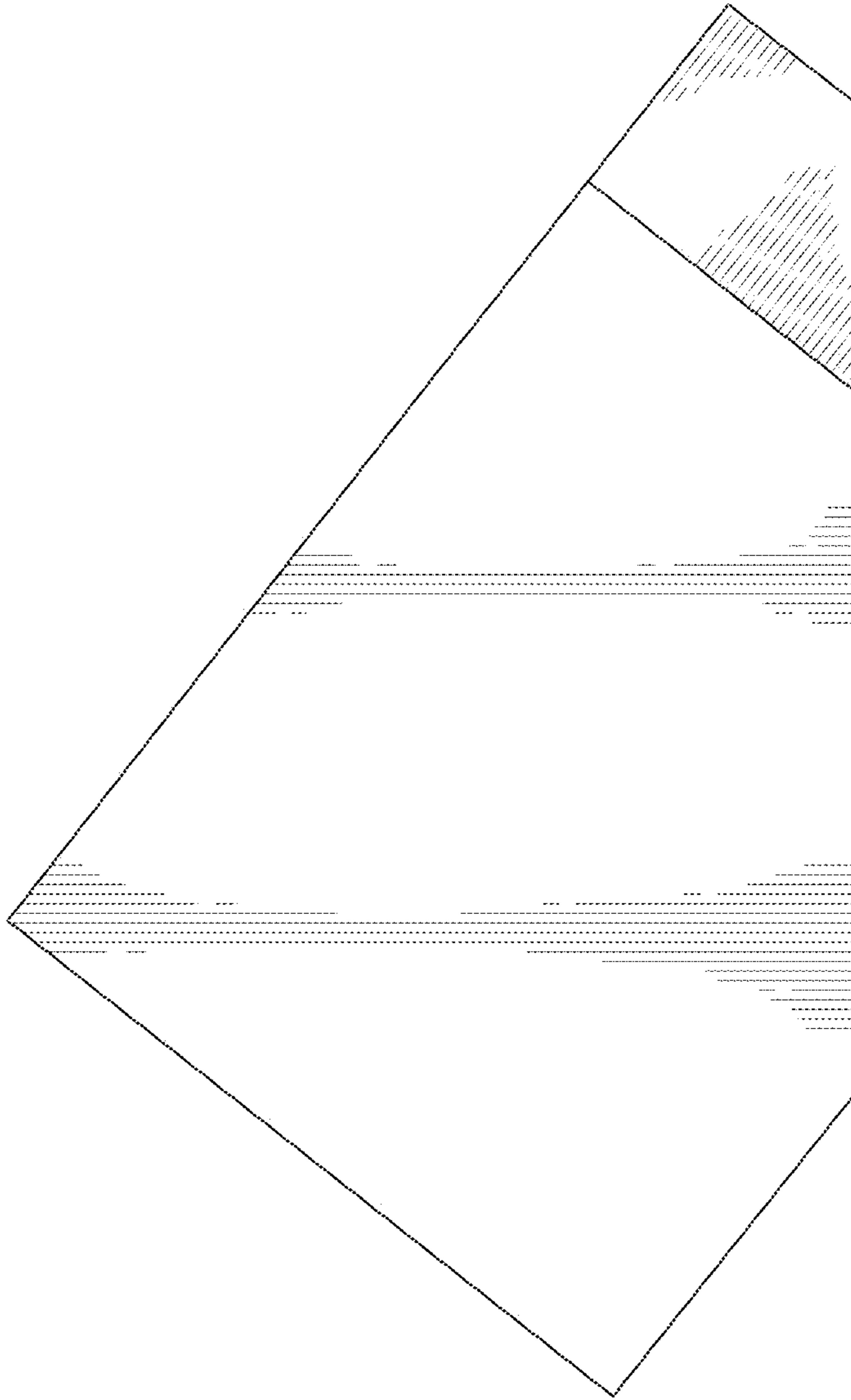


Fig. 4

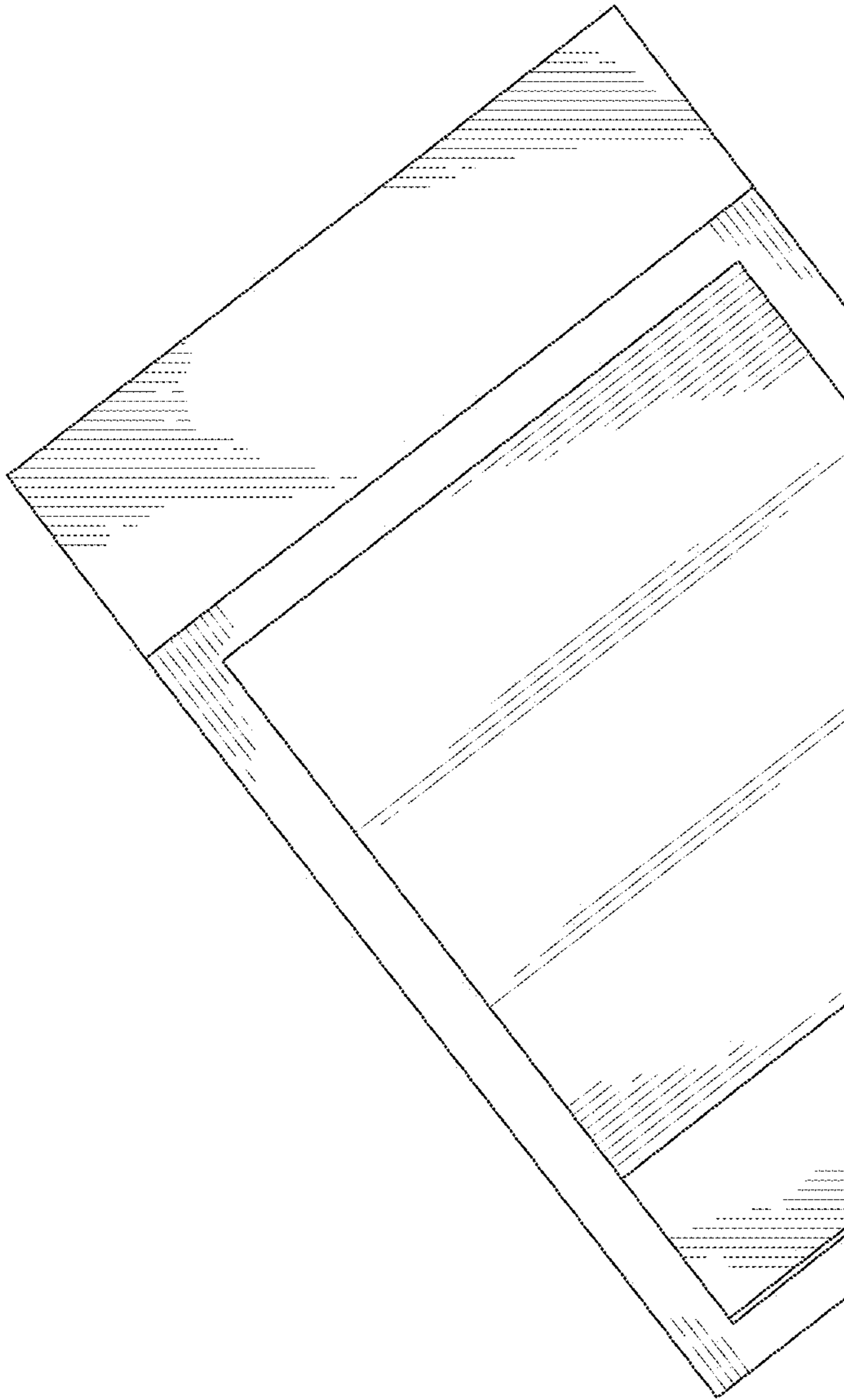


Fig. 5

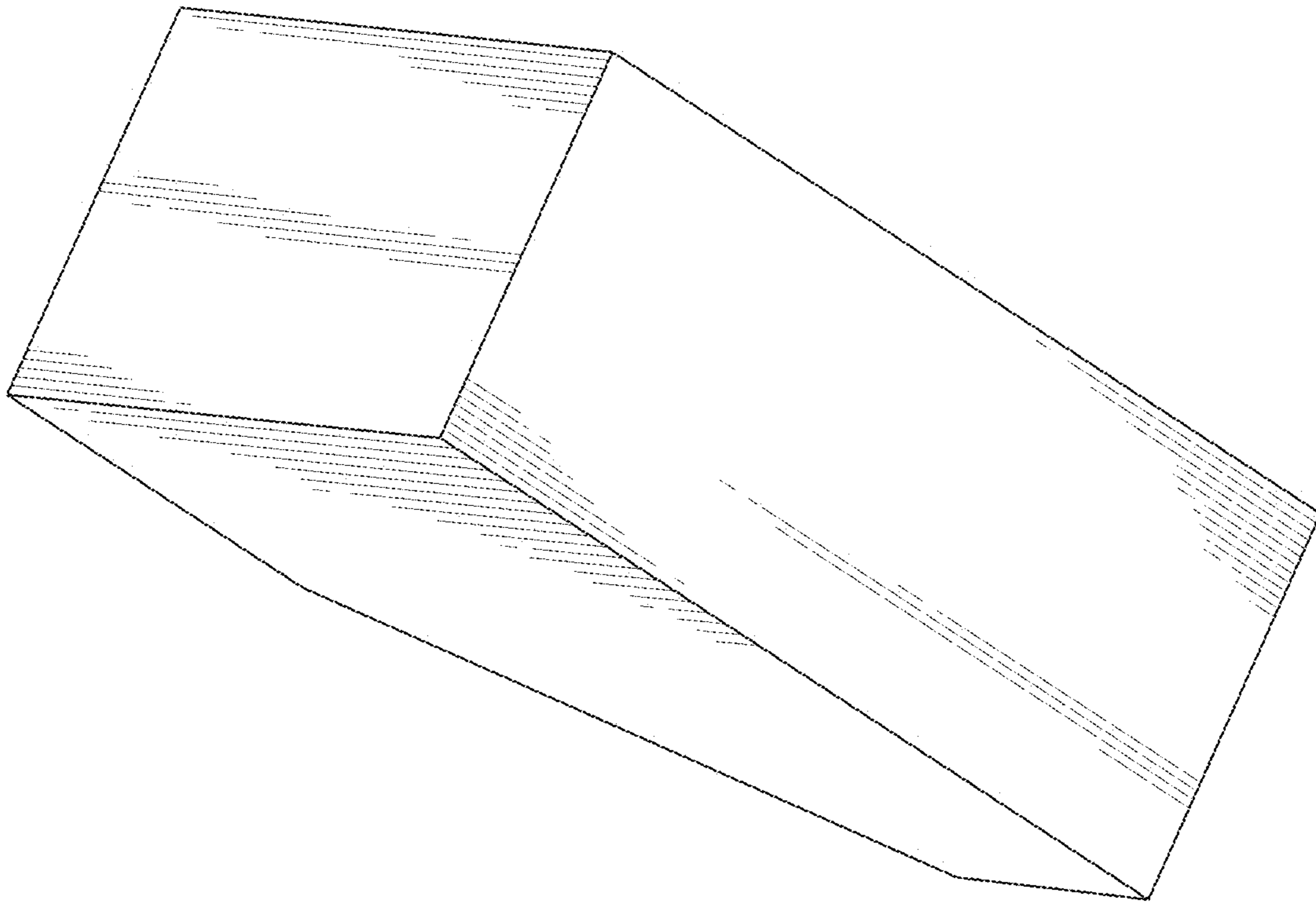


Fig. 6

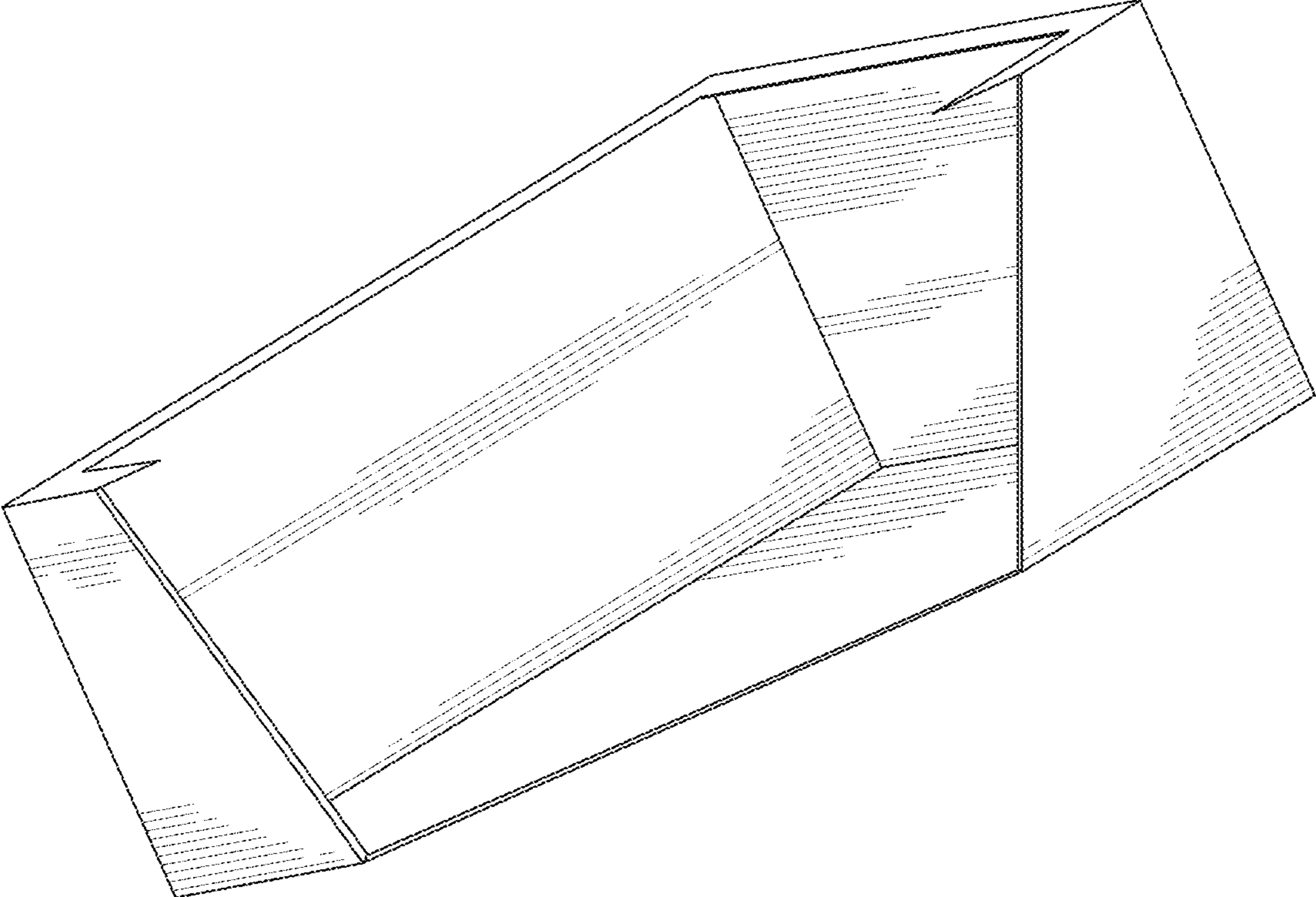


Fig. 7