



US00D925680S

(12) **United States Design Patent**
Ozden

(10) **Patent No.:** **US D925,680 S**
(45) **Date of Patent:** **** Jul. 20, 2021**

- (54) **RETRACTABLE GOLF CLUB HOLDER**
- (71) Applicant: **Brian A. Ozden**, Evans, GA (US)
- (72) Inventor: **Brian A. Ozden**, Evans, GA (US)
- (**) Term: **15 Years**
- (21) Appl. No.: **29/696,721**
- (22) Filed: **Jun. 30, 2019**
- (51) **LOC (13) Cl.** **21-02**
- (52) **U.S. Cl.**
USPC **D21/796**
- (58) **Field of Classification Search**
USPC D21/789, 796
CPC A63B 55/00; A63B 55/10; A63B 55/50
See application file for complete search history.

- 6,482,103 B1 * 11/2002 Vache A63B 55/10
473/282
- 6,497,327 B1 12/2002 Rindfleisch
- D480,776 S * 10/2003 Faulk D21/789
- 7,153,218 B1 * 12/2006 Elkin A63B 55/10
473/282
- 9,943,736 B1 * 4/2018 Luking F16M 11/041
- D857,138 S * 8/2019 Slyder D21/796
- 2007/0219011 A1 * 9/2007 Sheffield A63B 55/10
473/282
- 2012/0115629 A1 * 5/2012 McDowell A63B 55/10
473/286
- 2020/0001153 A1 * 1/2020 Ozden A63B 55/10

* cited by examiner

Primary Examiner — Mitchell I. Siegel

(74) *Attorney, Agent, or Firm* — Notio Law Group, LLC

(56) **References Cited**

U.S. PATENT DOCUMENTS

- 1,443,230 A 1/1923 Lockett
- 2,559,951 A 7/1951 Dunbar et al.
- 2,858,868 A 11/1958 Wallace
- 2,887,137 A 5/1959 Robb
- 3,219,083 A 11/1965 Asquith
- 4,063,731 A 12/1977 Kitay
- 4,210,334 A * 7/1980 Lind A63B 69/3632
473/282
- 4,545,579 A * 10/1985 McCain A63B 55/10
473/282
- 4,805,911 A * 2/1989 Ferlazzo A63B 55/10
473/282
- 4,832,338 A 5/1989 Magazzi
- 5,437,449 A * 8/1995 Zink A63B 55/10
248/156
- D366,685 S * 1/1996 Faulk D21/795
- D371,413 S * 7/1996 Crausby D21/795
- D387,117 S * 12/1997 Danyluk D21/795
- D410,518 S * 6/1999 Didier D21/789
- D431,624 S * 10/2000 Colonello D21/789
- 6,159,107 A * 12/2000 Walton A63B 60/42
473/282

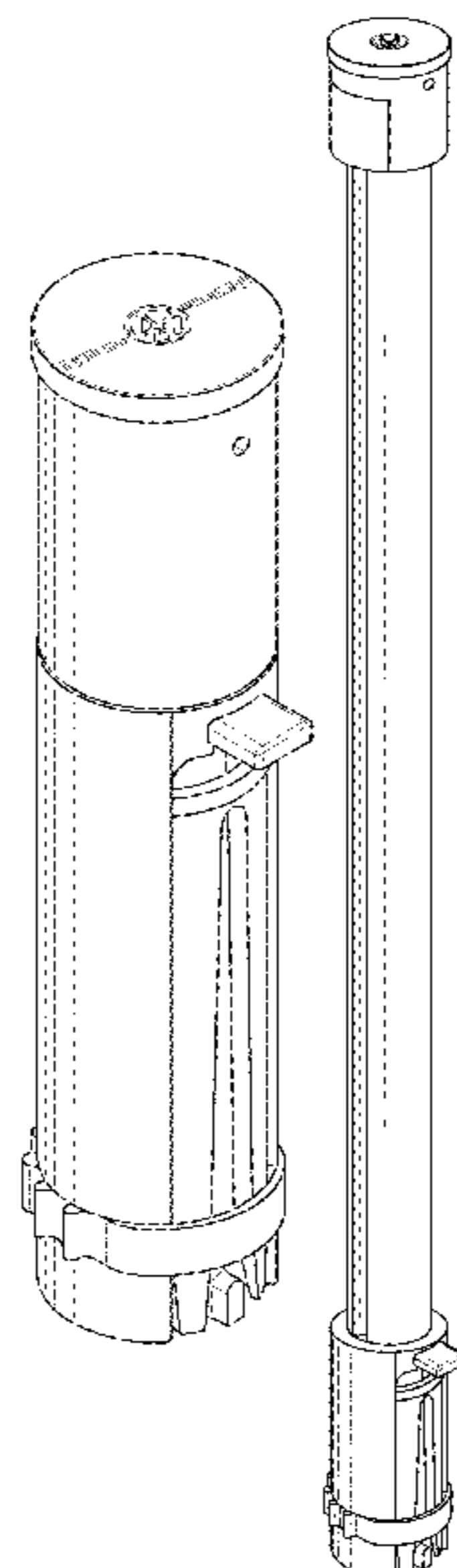
(57) **CLAIM**

The ornamental design for a retractable golf club holder, as shown and described.

DESCRIPTION

FIG. 1 is a top perspective view of a golf club holder in a retracted configuration.
 FIG. 2 is a side elevation view of a golf club holder in a retracted configuration.
 FIG. 3 is a front elevation view of a golf club holder in a retracted configuration.
 FIG. 4 is a top plan view of a golf club holder.
 FIG. 5 is a side elevation view of a golf club holder in an expanded configuration.
 FIG. 6 is a top perspective view of a golf club holder in an expanded configuration; and,
 FIG. 7 is a front elevation view of a golf club holder in an expanded configuration.
 The broken lines illustrating environment forms no part of the claimed design.

1 Claim, 4 Drawing Sheets



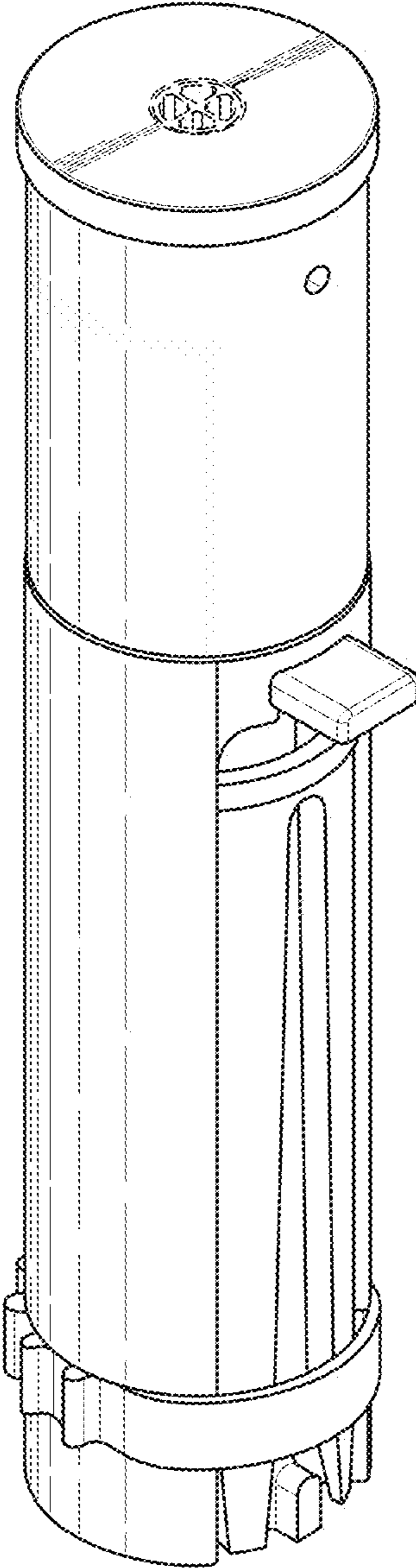


Figure 1

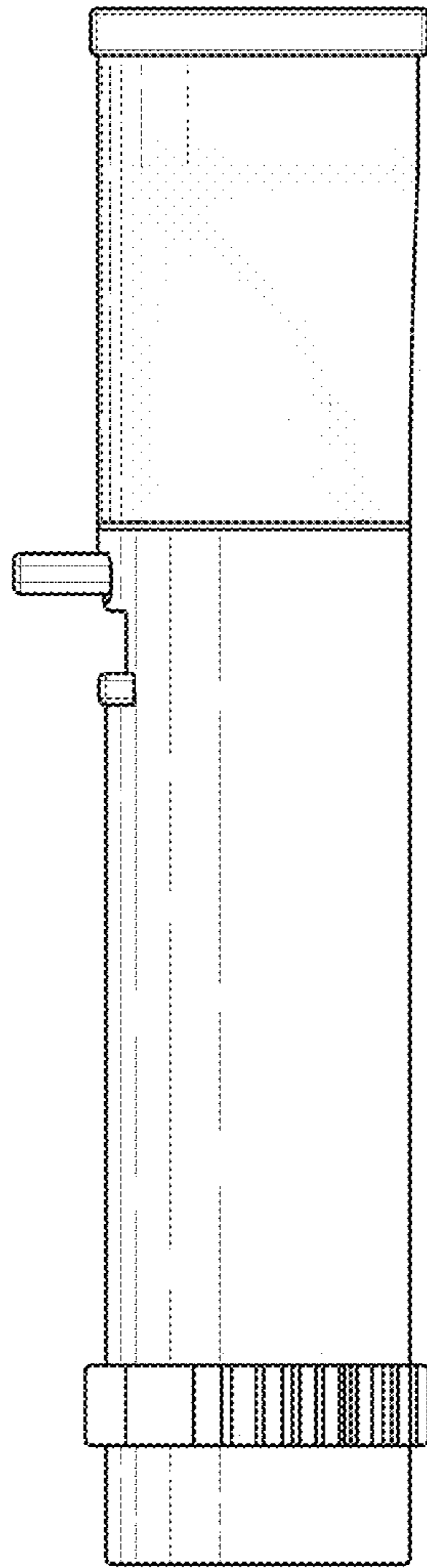


Figure 2

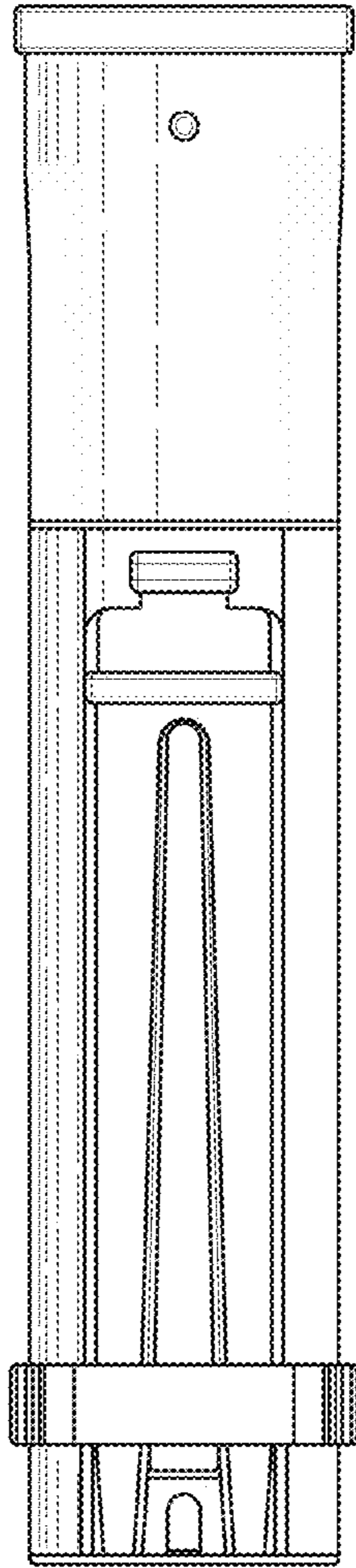


Figure 3

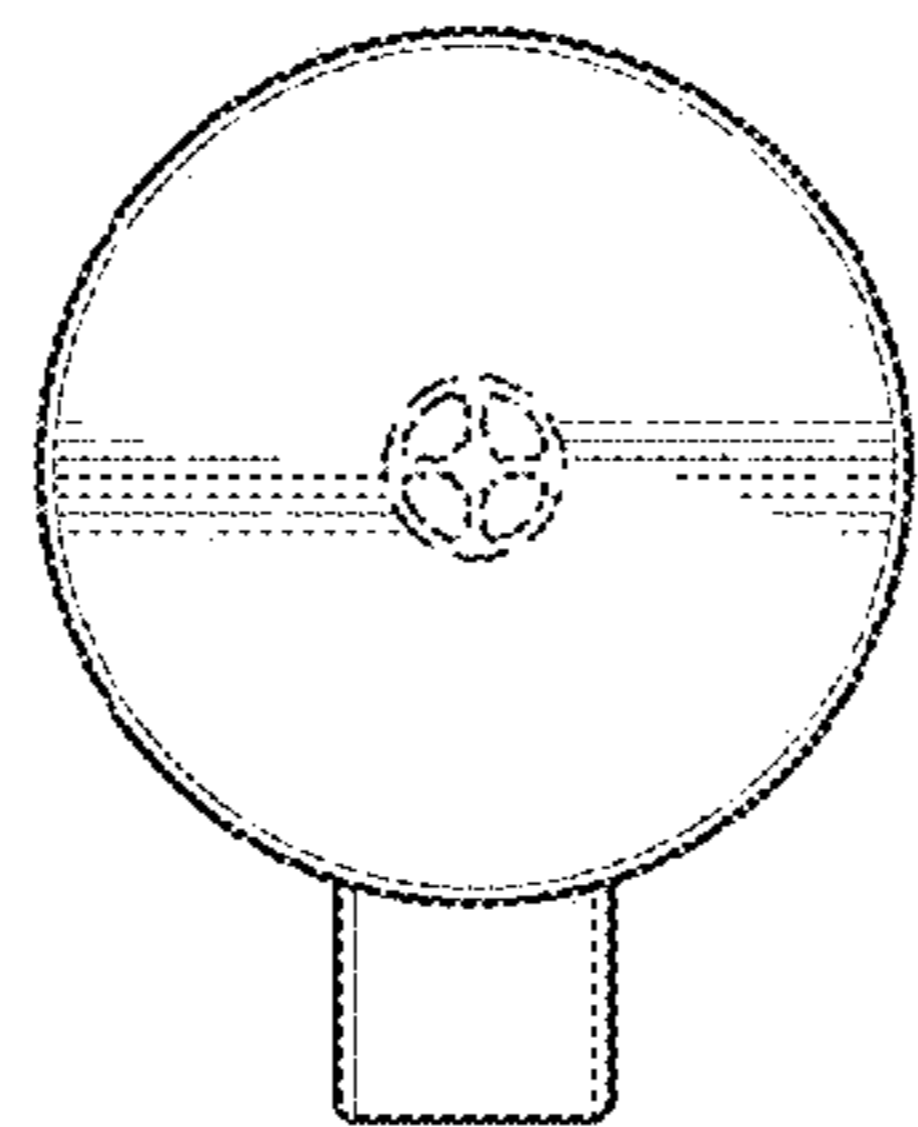


Figure 4

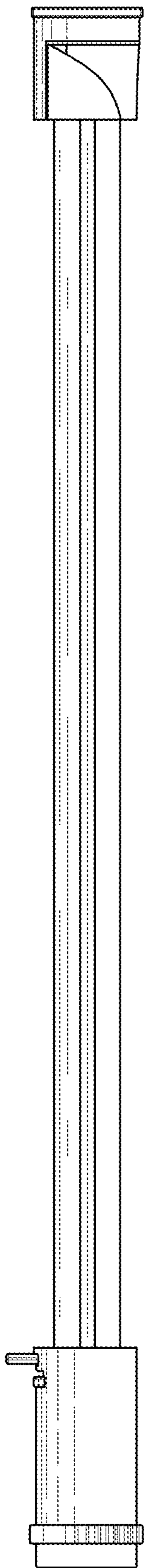


Figure 5

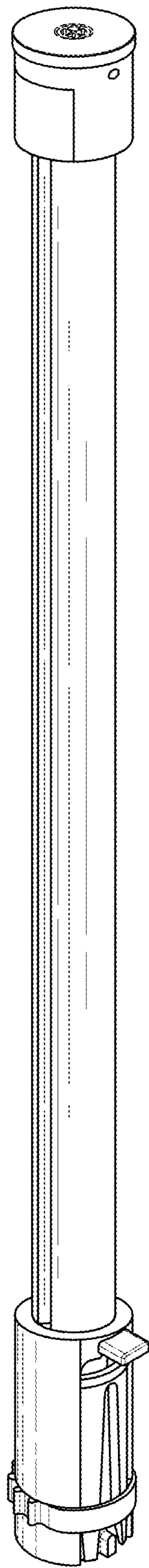


Figure 6

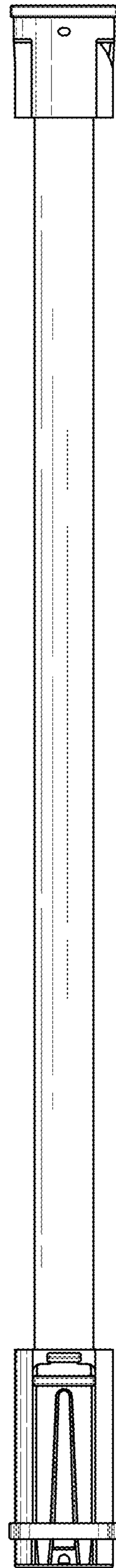


Figure 7