



US00D925679S

(12) **United States Design Patent**
Cameron et al.

(10) **Patent No.:** **US D925,679 S**

(45) **Date of Patent:** **** Jul. 20, 2021**

- (54) **GOLF CLUB FITTING TOOL**
- (71) Applicant: **Acushnet Company**, Fairhaven, MA (US)
- (72) Inventors: **Don T. Cameron**, Carlsbad, CA (US);
Nicholas C. Wade, Vista, CA (US)
- (73) Assignee: **Acushnet Company**, Fairhaven, MA (US)
- (**) Term: **15 Years**
- (21) Appl. No.: **29/715,560**
- (22) Filed: **Dec. 3, 2019**

Related U.S. Application Data

- (63) Continuation of application No. 16/693,036, filed on Nov. 22, 2019.
- (51) **LOC (13) Cl.** **21-02**
- (52) **U.S. Cl.**
USPC **D21/789**
- (58) **Field of Classification Search**
USPC D21/789, 791; D10/69
CPC A63B 69/3685; A63B 57/00; A63B 57/12;
A63B 57/16; A63B 57/20; A63B 57/30;
A63B 57/35; A63B 60/00; A63B 60/02;
A63B 60/46; A63B 60/42; A63B 59/20;
A63B 59/40; A63B 59/60-80; G01C 9/28
See application file for complete search history.

(56) **References Cited**

U.S. PATENT DOCUMENTS

- 297,719 A * 4/1884 Root G01C 9/28
33/371
- 4,885,847 A * 12/1989 Korfanta G01B 5/0023
33/508

- 4,934,706 A * 6/1990 Marshall A63B 69/3632
33/334
- 5,421,098 A * 6/1995 Muldoon G01B 5/0023
33/334
- 5,469,627 A * 11/1995 Denny A63B 60/42
33/508
- 5,782,005 A * 7/1998 Reilly, III A63B 60/02
33/508
- D405,145 S * 2/1999 Bac D21/793
- 6,779,277 B2 * 8/2004 Sones A63B 60/42
33/508
- 6,796,913 B2 * 9/2004 Tummillo A24F 13/22
473/408
- 9,885,571 B2 * 2/2018 Hoppe G01C 9/34
- 10,422,638 B2 * 9/2019 Burge G01C 9/02

* cited by examiner

Primary Examiner — Mitchell I. Siegel

(74) *Attorney, Agent, or Firm* — Randy K. Chang

(57) **CLAIM**

The ornamental design for golf club fitting tool, as shown and described.

DESCRIPTION

FIG. 1 is a perspective top view of a golf club fitting tool showing our design;
 FIG. 2 is a perspective bottom view thereof;
 FIG. 3 is a bottom plan view thereof;
 FIG. 4 is a top plan view thereof;
 FIG. 5 is a rear elevation view thereof;
 FIG. 6 is a front view thereof;
 FIG. 7 is a left side view thereof; and,
 FIG. 8 is a right side view thereof.

1 Claim, 4 Drawing Sheets

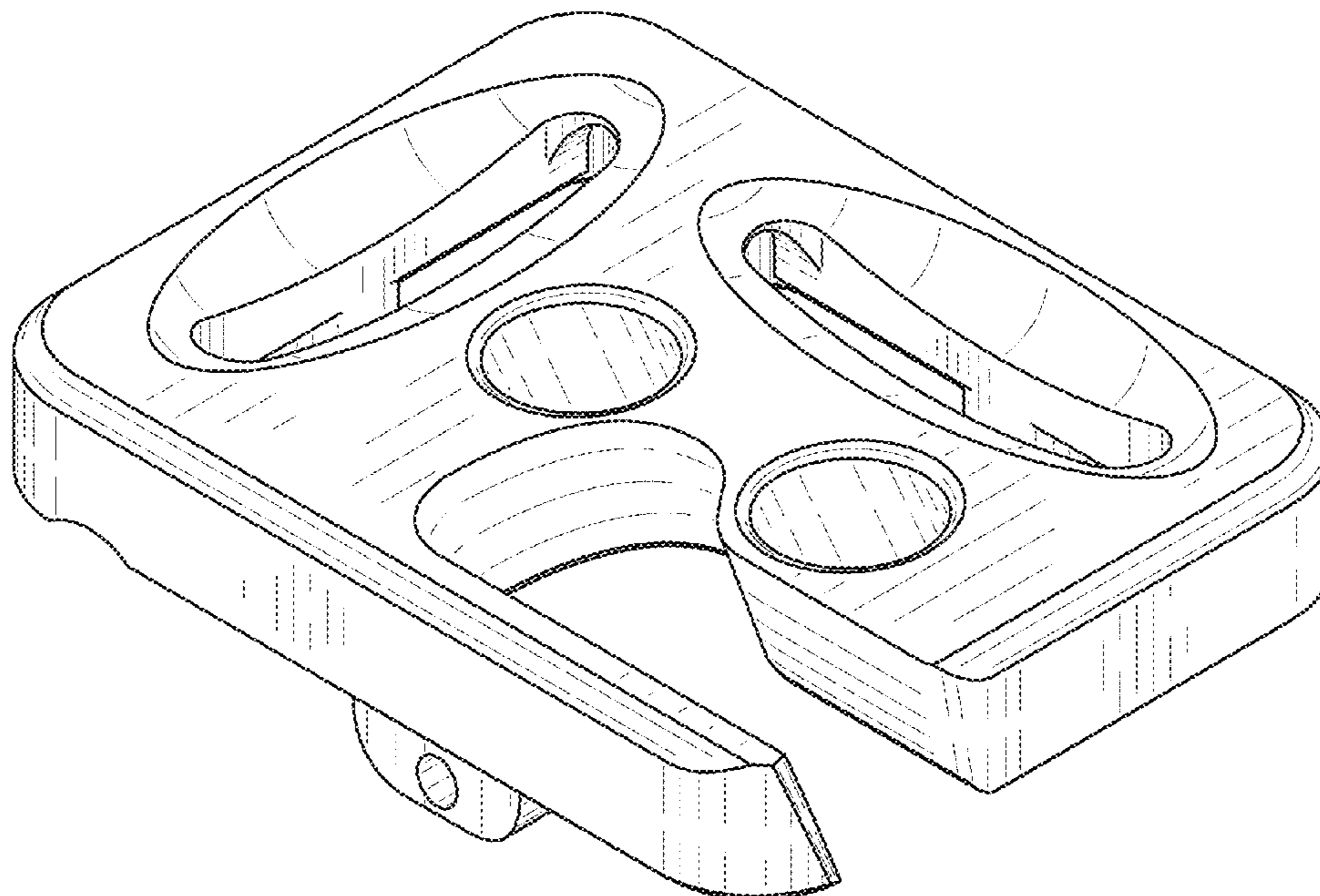


FIG. 1

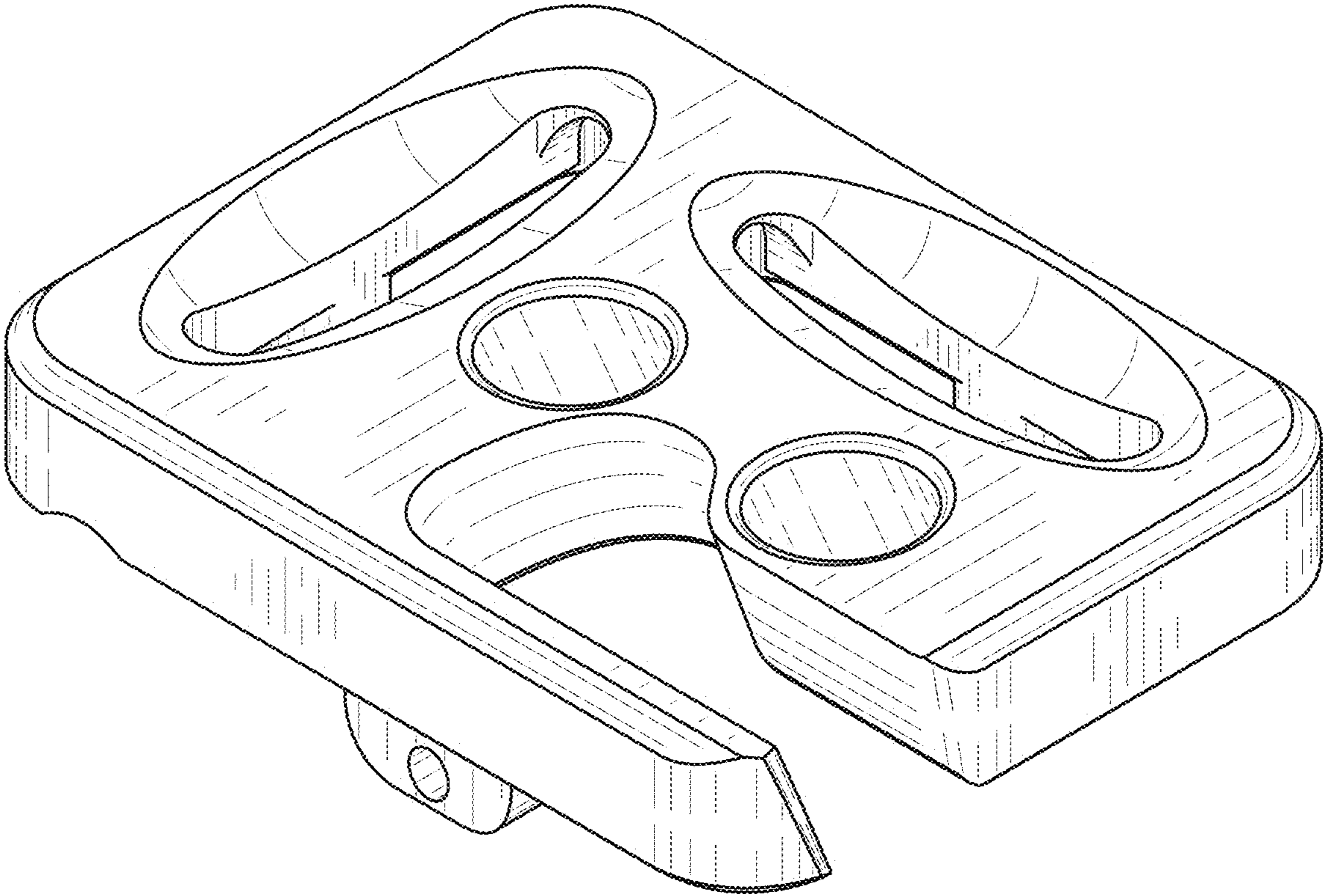


FIG. 2

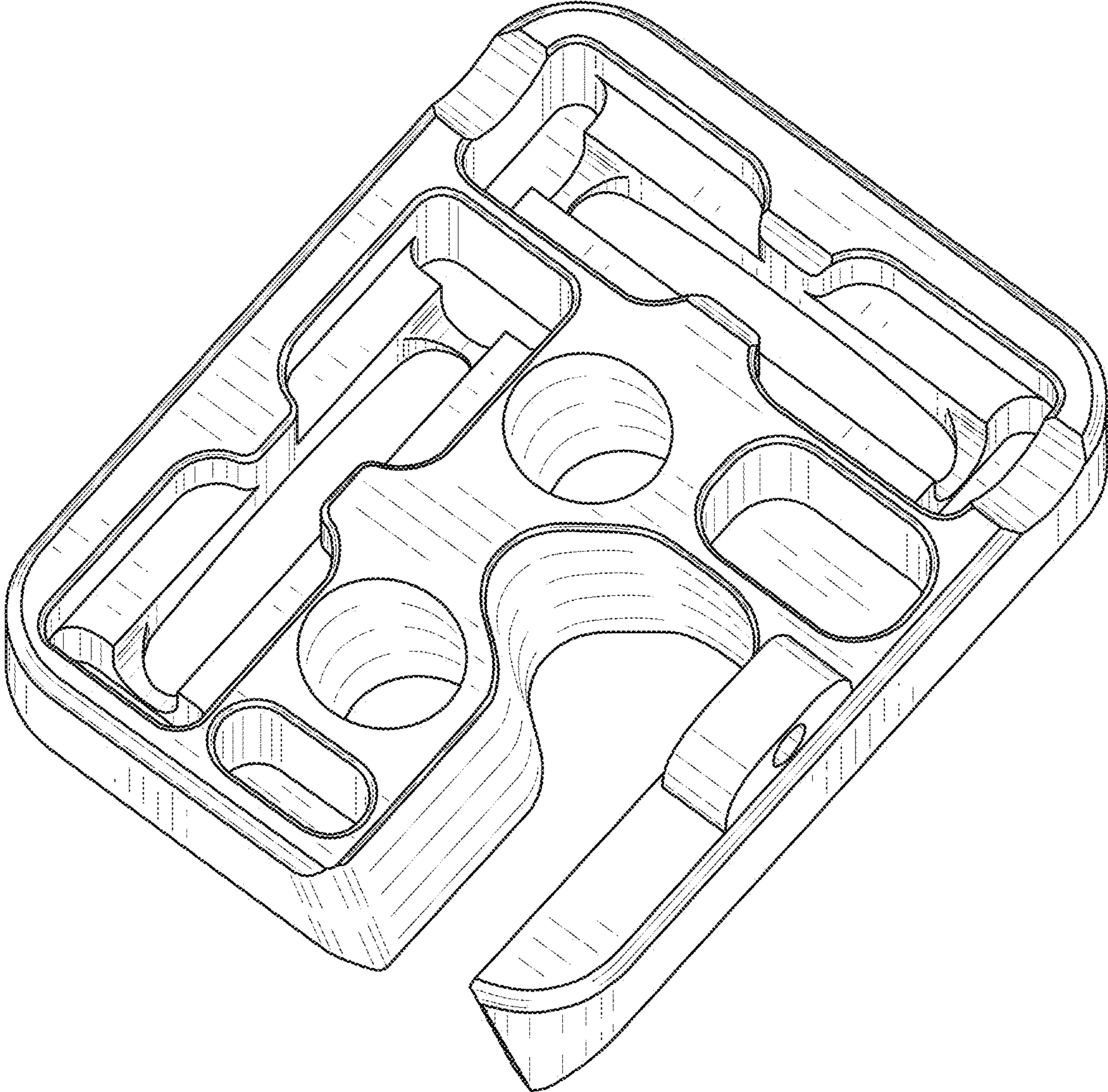


FIG. 4

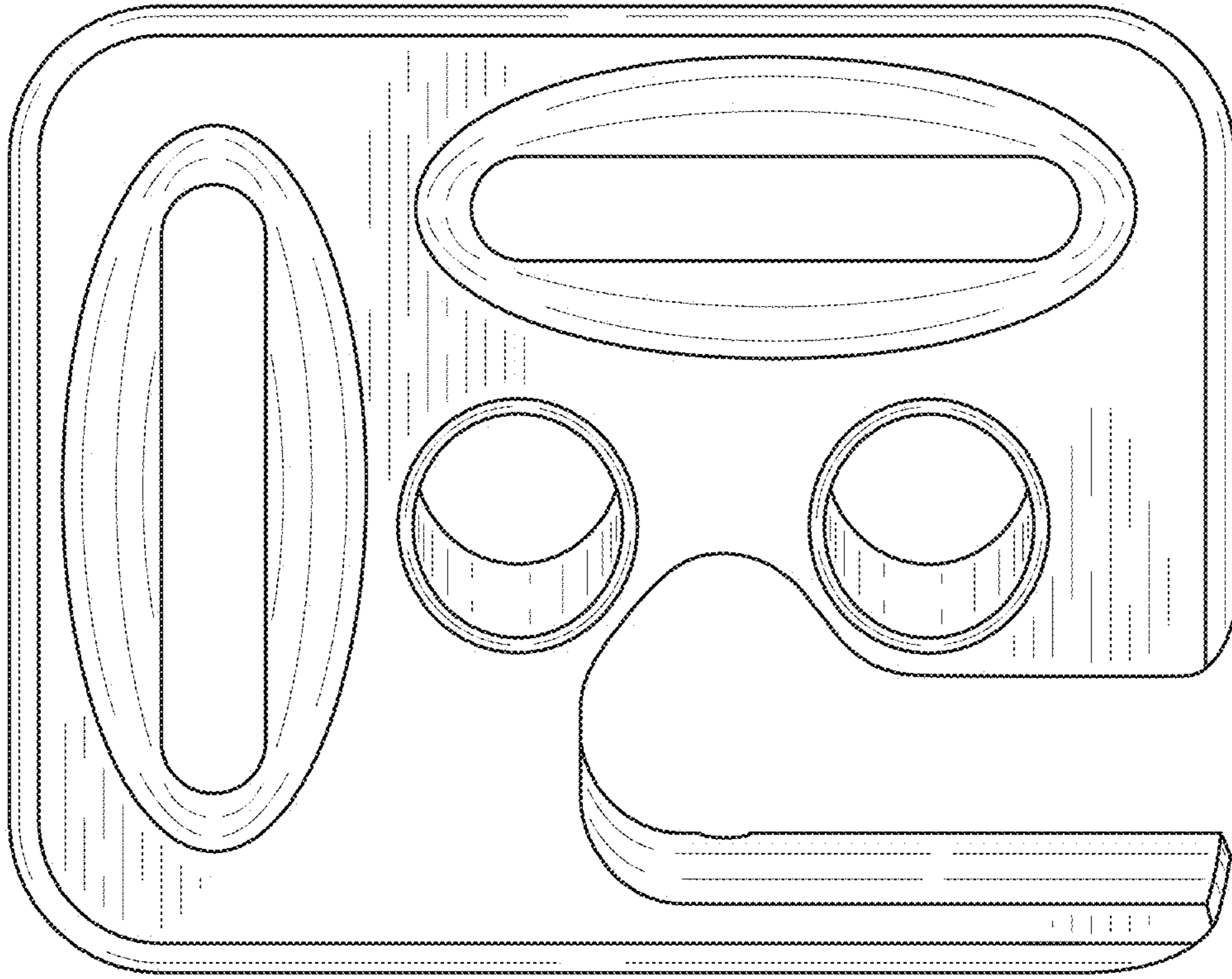


FIG. 3

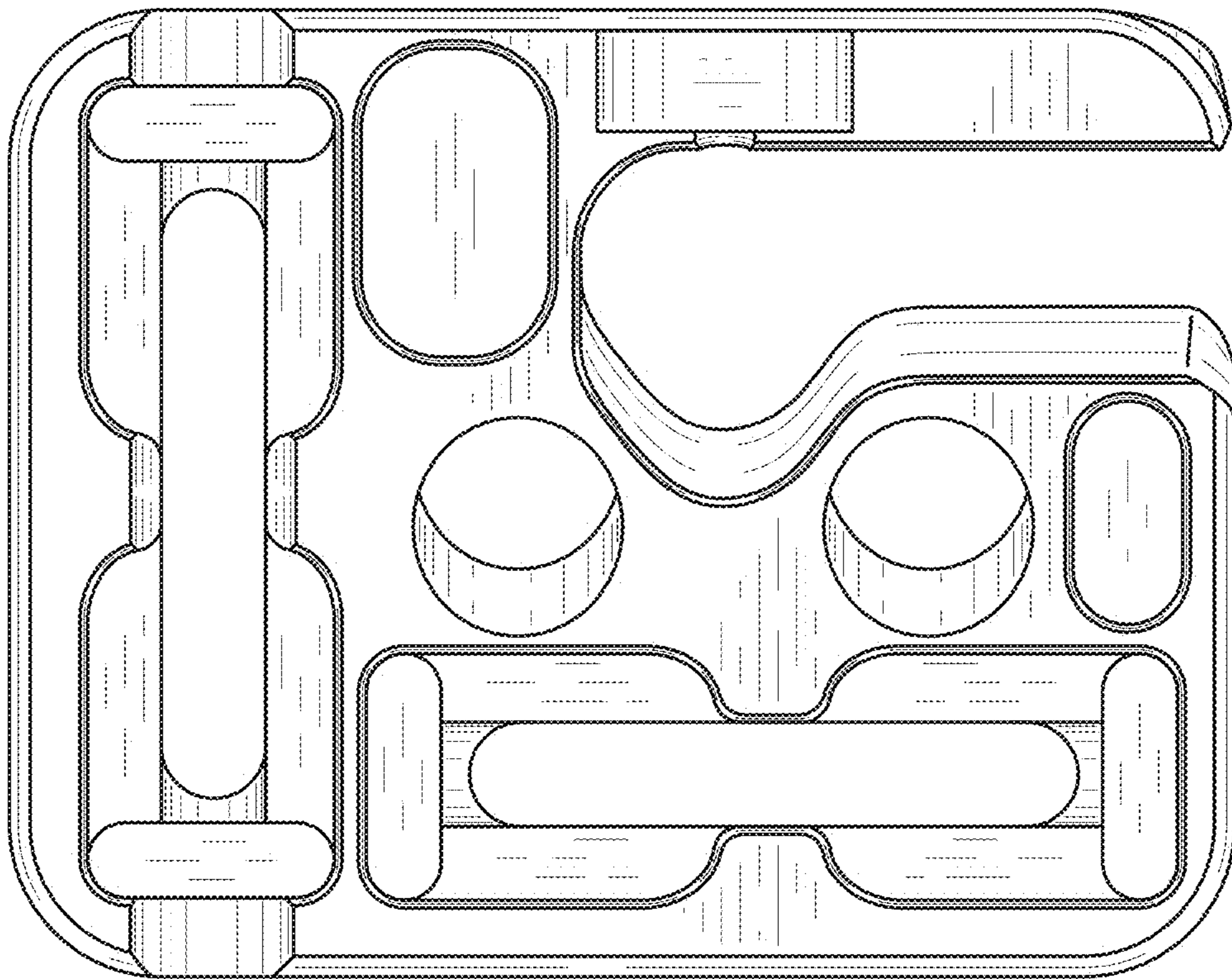


FIG. 5

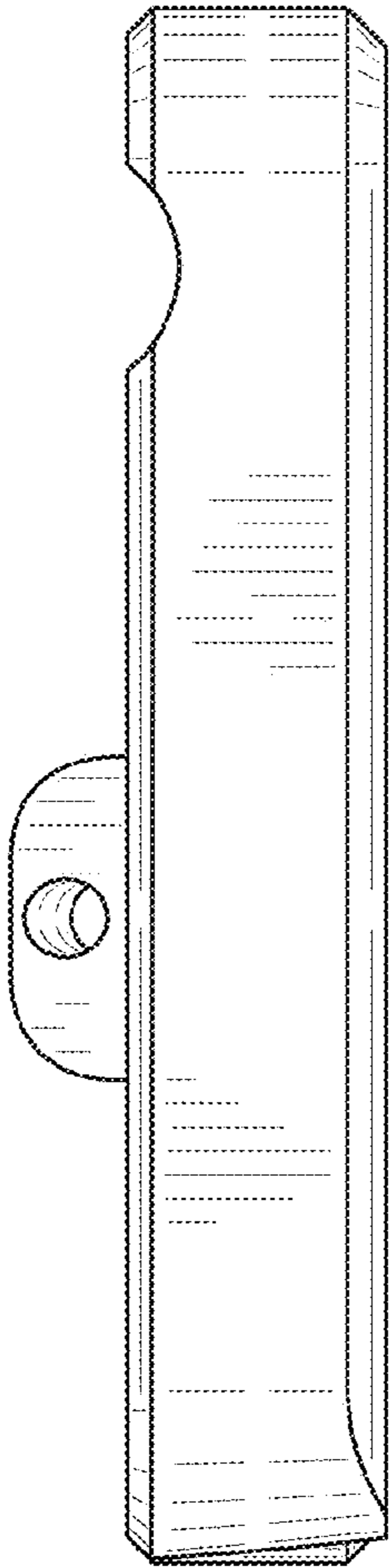


FIG. 6

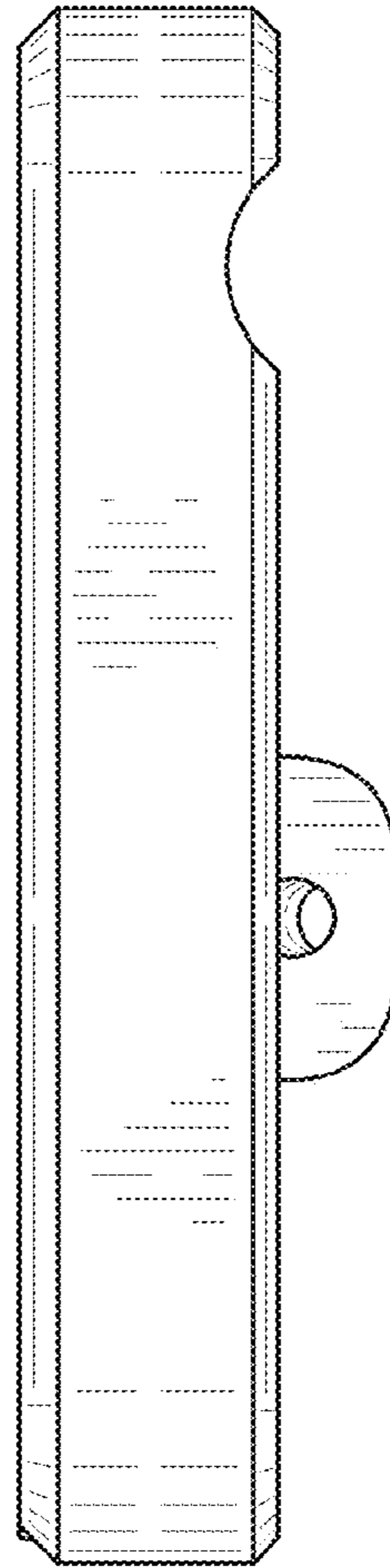


FIG. 7



FIG. 8

