



US00D925677S

(12) **United States Design Patent** (10) **Patent No.:** **US D925,677 S**
Demkowski et al. (45) **Date of Patent:** **** Jul. 20, 2021**

(54) **GOLF PUTTER**

FOREIGN PATENT DOCUMENTS

(71) Applicant: **Taylor Made Golf Company, Inc.**,
Carlsbad, CA (US)

WO WO 8403447 9/1984

(72) Inventors: **Paul M. Demkowski**, Cardiff, CA
(US); **Bill Price**, Santa Ana, CA (US);
Gustavo Eduardo Alisio, San Diego,
CA (US)

OTHER PUBLICATIONS

“Bermuda Triangle Grand Bahama,” Ashdon Golf, retrieved Aug. 21, 2019 from www.ashdongolf.com/putter_bermuda_grand_bahama_features.php (1 page). Applicant acknowledges this reference has an on sale or public use date prior to the filing date of the present application.

(73) Assignee: **Taylor Made Golf Company, Inc.**,
Carlsbad, CA (US)

(Continued)

(**) Term: **15 Years**

Primary Examiner — Mitchell I. Siegel

(21) Appl. No.: **29/702,585**

(74) *Attorney, Agent, or Firm* — Klarquist Sparkman LLP

(22) Filed: **Aug. 20, 2019**

(57) **CLAIM**

(51) **LOC (13) Cl.** **02-01**

We claim the ornamental design for a golf putter, as shown and described.

(52) **U.S. Cl.**
USPC **D21/759**

DESCRIPTION

(58) **Field of Classification Search**
USPC D21/736–746, 759
CPC A63B 53/00; A63B 53/04; A63B 53/007;
A63B 53/065; A63B 53/0487; A63B
60/00; A63B 60/46
See application file for complete search history.

FIG. 1 is a perspective view of a golf putter, as viewed from the rear, above and one side.
FIG. 2 is a front elevation view of a golf putter of FIG. 1.
FIG. 3 is a rear elevation view of the golf putter of FIG. 1.
FIG. 4 is a side elevation view of a toe side of the golf putter of FIG. 1.
FIG. 5 is a side elevation view of a heel side of the golf putter of FIG. 1.
FIG. 6 is a top plan view of the golf putter of FIG. 1.
FIG. 7 is a bottom plan view of the golf putter of FIG. 1; and,
FIG. 8 is a perspective view of the golf putter of FIG. 1, as viewed from the front and one side.

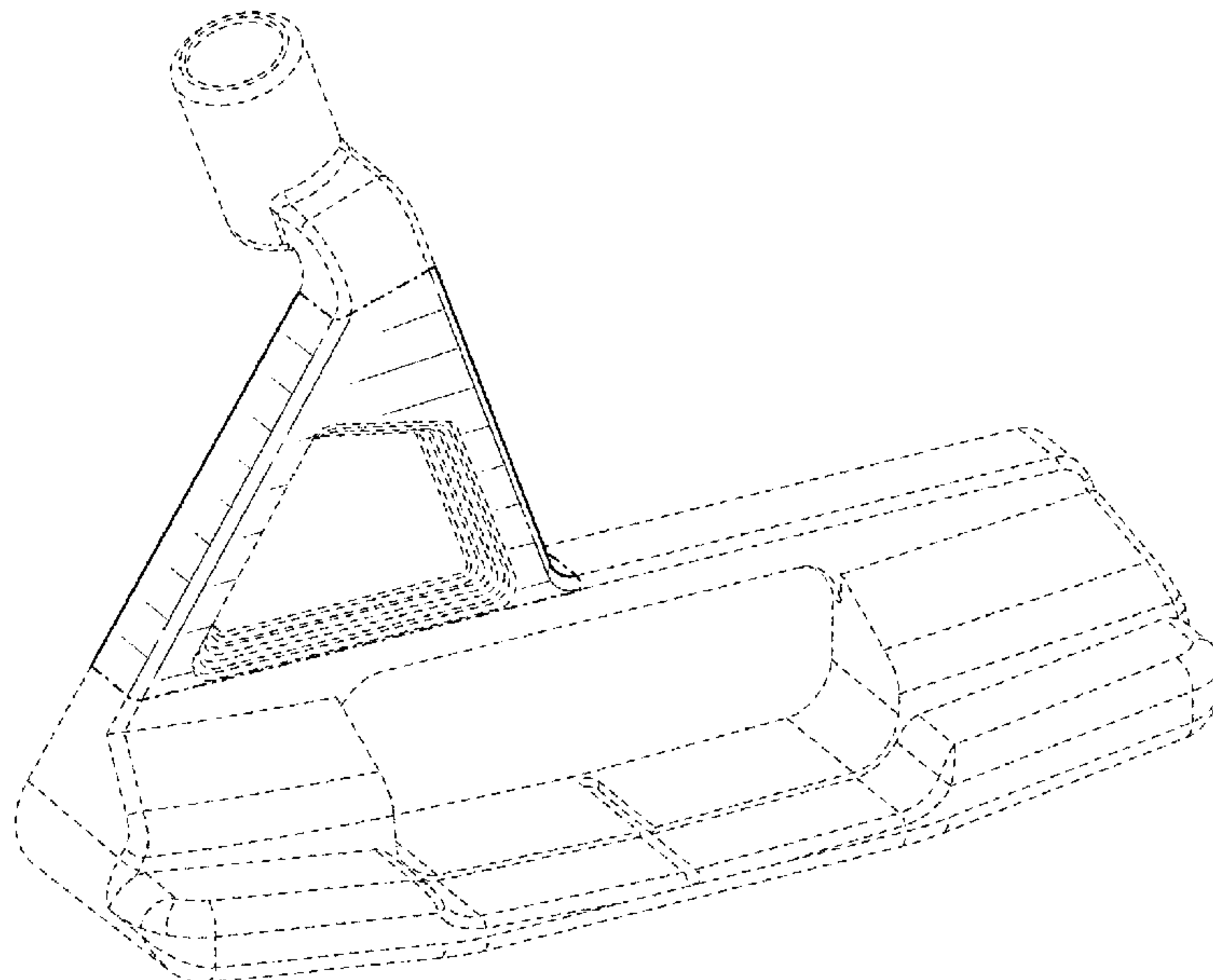
(56) **References Cited**

U.S. PATENT DOCUMENTS

1,116,417 A	11/1914	Hackbarth	
1,517,476 A	12/1924	Tyler	
2,991,082 A	7/1961	Handzlik	
3,206,202 A	9/1965	Evans	
D217,873 S *	6/1970	Steele	D21/740
3,578,332 A	5/1971	Caldwell	
D220,844 S *	6/1971	Letters	D21/740
D223,031 S *	2/1972	Ernst	D21/740
3,966,210 A	6/1976	Rozmus	

(Continued)

1 Claim, 5 Drawing Sheets



(56)

References Cited

U.S. PATENT DOCUMENTS

D240,749	S *	7/1976	Benson	D21/737
3,992,015	A *	11/1976	Benson	A63B 53/007 473/312
4,136,877	A	1/1979	Antonius		
D251,077	S *	2/1979	Strop	D21/740
4,147,357	A *	4/1979	Strop	A63B 53/0487 473/251
D282,556	S *	2/1986	Slagle	D21/740
D290,984	S *	7/1987	Antonious	D21/740
D291,106	S *	7/1987	Antonious	D21/740
D293,355	S *	12/1987	Wampler	D21/738
D293,809	S *	1/1988	Antonious	D21/740
D293,926	S *	1/1988	Antonious	D21/740
D293,927	S *	1/1988	Antonious	D21/738
D294,059	S *	2/1988	Antonious	D21/740
D294,158	S *	2/1988	Risk	D21/740
D294,377	S *	2/1988	Antonious	D21/740
D294,512	S *	3/1988	Antonious	D21/740
D294,513	S *	3/1988	Antonious	D21/738
D294,514	S *	3/1988	Antonious	D21/740
D299,043	S	12/1988	Antonius		
D305,055	S	12/1989	Antonius		
4,948,140	A	8/1990	Antonius		
4,951,949	A *	8/1990	Kastenhuber	A63B 53/0487 473/313
4,984,794	A	1/1991	Pernelle et al.		
D317,961	S	7/1991	Antonius		
D317,963	S	7/1991	Antonius		
D318,088	S	7/1991	Antonius		
D318,089	S	7/1991	Antonius		
D322,108	S	12/1991	Antonius		
D322,112	S *	12/1991	Kastenhuber	D21/740
D322,646	S	12/1991	Antonius		
D322,647	S	12/1991	Antonius		
5,083,778	A	1/1992	Douglass		
5,167,416	A	12/1992	Painter		
D362,705	S *	9/1995	Sprecher	D21/738
5,505,447	A *	4/1996	Mockovak	A63B 53/02 473/308
5,577,968	A *	11/1996	Pritchett	A63B 60/00 473/305
D397,751	S *	9/1998	Karagozian	D21/742
D400,629	S *	11/1998	Markwardt	D21/736
D410,054	S *	5/1999	Yu	D21/736
D419,213	S *	1/2000	Pritchett	D21/744
6,068,560	A	5/2000	DeLuca		
6,110,057	A	8/2000	McKinnon		
D434,819	S	12/2000	Hoare		
D616,052	S *	5/2010	Chung	D21/738
D728,046	S *	4/2015	Chung	D21/743
D797,871	S *	9/2017	Sebo	D21/736
2002/0086739	A1	7/2002	Chiu		
2005/0153792	A1	7/2005	Lacullo		
2010/0184531	A1	7/2010	Hwang		

OTHER PUBLICATIONS

“Bermuda Triangle Polar White,” Ashdon Golf, retrieved Aug. 21, 2019 from www.ashdongolf.com/putter_atlantis_polar_white_overview.php (1 page). Applicant acknowledges this reference has an on sale or public use date prior to the filing date of the present application.

“RH Titleist SP-203 Dead Center Putter, 34.25" Inch Steel Shaft #FL181,” Ebay, retrieved Aug. 21, 2019 from www.ebay.com/itm/RH-Titleist-SP-203-Dead-Center-Putter-34-25-Inch-Steel-Shaft-FL181/163599124769?hash=item2617448921:g:CoAAAOSwPtcjGUu (1 page). Applicant acknowledges this reference has an on sale or public use date prior to the filing date of the present application.

“Titleist Dead Center SP-301 Putter w/ Original Grip,” Ebay, retrieved Aug. 21, 2019 from www.ebay.com/itm/Titleist-Dead-Center-SP-301-Putter-w-Original-Grip/123704466306?hash=itemlccd5c5b82:g:9z8AAOSw7tcbdCK (1 page). Applicant acknowledges this reference has an on sale or public use date prior to the filing date of the present application.

“IDS Center Shot Putter Golf Club—Right or Left Hand!! Mirror Image,” Ebay, retrieved Aug. 21, 2019 from www.ebay.com/itm/IDS-CENTER-SHOT-PUTTER-GOLF-CLUB-RIGHT-OR-LEFT-AND-MIRROR-IMAGE/323772212591?hash=item4b6253e56f:g:D00AAOSw4EpbEp5F (1 page). Applicant acknowledges this reference has an on sale or public use date prior to the filing date of the present application.

“Taylormade Pro-Formance 205 Putter / Steel Shaft / 35" / RH,” Ebay, retrieved Aug. 21, 2019 from www.ebay.com/itm/TAYLORMADE-PRO-FORMANCE-205-PUTTER-STEEL-SHAFT-35-RH/123879904270?hash=itemlcd7d1540e:g:Yk8AAOSwtQZdWwhq (1 page). Applicant acknowledges this reference has an on sale or public use date prior to the filing date of the present application.

“Taylormade TC1 TC.1 Putter,” Ebay, retrieved Aug. 21, 2019 from www.ebay.com/itm/Taylormade-TC1-TC-1-Putter/352393586927?hash=item520c4b68ef:g:rQ0AAOSwZKRbN-EK (1 page). Applicant acknowledges this reference has an on sale or public use date prior to the filing date of the present application.

“Golf Putter Taylor Made Hb.1 — Original 35,” Ebay, retrieved Aug. 21, 2019 from www.ebay.com/itm/Golf-Putter-TAYLORMADE-Hb-1-Original-35/362396368592?hash=item54608lbed0:g:TaMAAOSwafhbWK35:sc:USPSPriority!97204!US!-1 (1 page). Applicant acknowledges this reference has an on sale or public use date prior to the filing date of the present application.

“Taylormade Cb.1 Golf Club Putter,” Ebay, retrieved Aug. 21, 2019 from www.ebay.com/itm/TAYLORMADE-Cb-1-Golf-Club-Putter/283195539148?hash=item4lefc4fecc:g:QGgAAOSw2DdbPqc4:sc:USPSPriority!97204!US!-1 (1 page). Applicant acknowledges this reference has an on sale or public use date prior to the filing date of the present application.

“Taylormade Cb.1 Golf Club Putter,” Ebay, retrieved Aug. 21, 2019 from www.ebay.com/itm/TAYLORMADE-Cb-1-Golf-Club-Putter/283195539148?hash=item4lefc4fecc:g:QGgAAOSw2DdbPqc4:sc:USPSPriority!97204!US!-1 (1 page). Applicant acknowledges this reference has an on sale or public use date prior to the filing date of the present application.

“Taylormade Cb.1 Golf Club Putter,” Ebay, retrieved Aug. 21, 2019 from www.ebay.com/itm/TAYLORMADE-Cb-1-Golf-Club-Putter/283195539148?hash=item4lefc4fecc:g:QGgAAOSw2DdbPqc4:sc:USPSPriority!97204!US!-1 (1 page). Applicant acknowledges this reference has an on sale or public use date prior to the filing date of the present application.

“Taylormade Cb.1 Golf Club Putter,” Ebay, retrieved Aug. 21, 2019 from www.ebay.com/itm/TAYLORMADE-Cb-1-Golf-Club-Putter/283195539148?hash=item4lefc4fecc:g:QGgAAOSw2DdbPqc4:sc:USPSPriority!97204!US!-1 (1 page). Applicant acknowledges this reference has an on sale or public use date prior to the filing date of the present application.

* cited by examiner

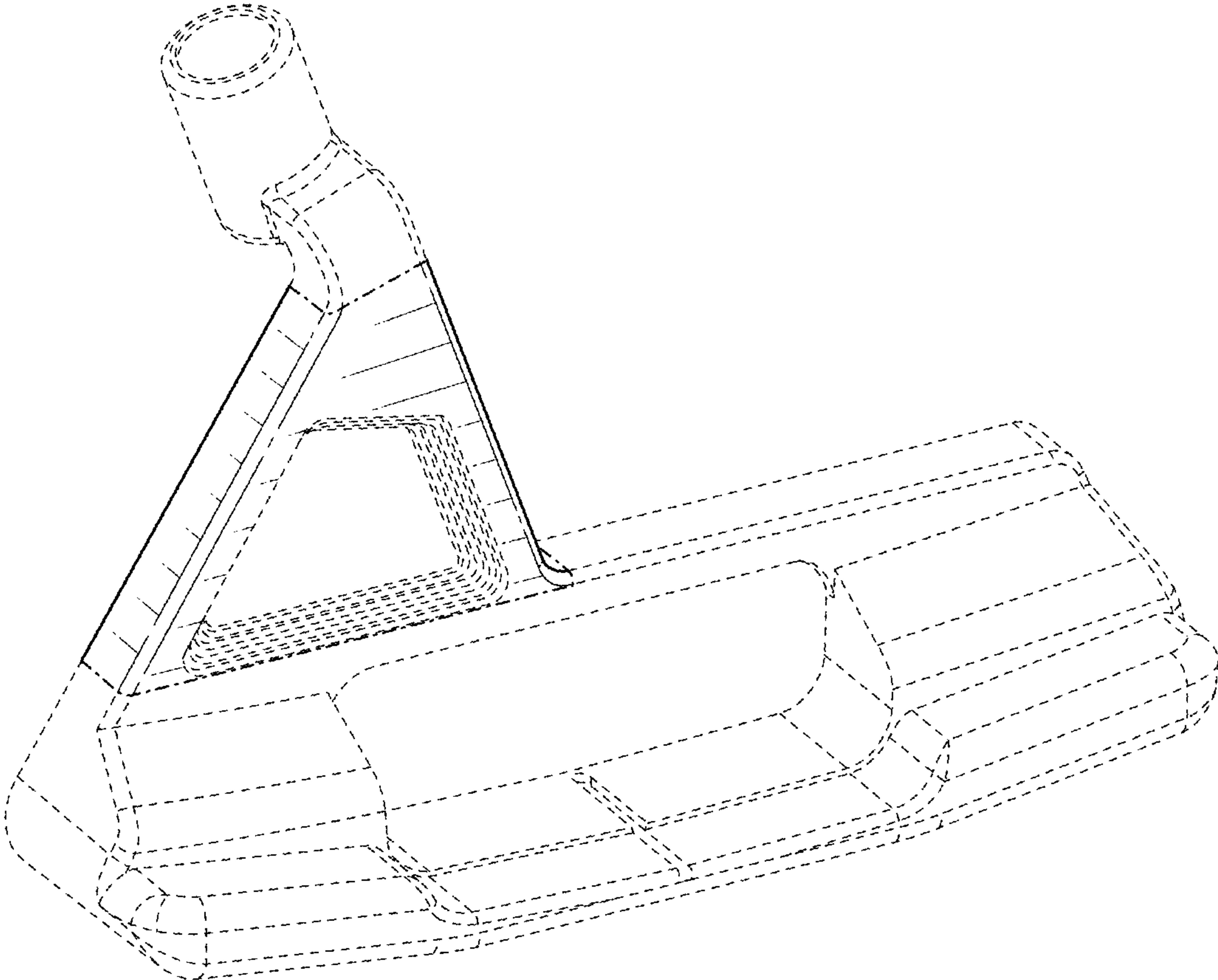


FIG. 1

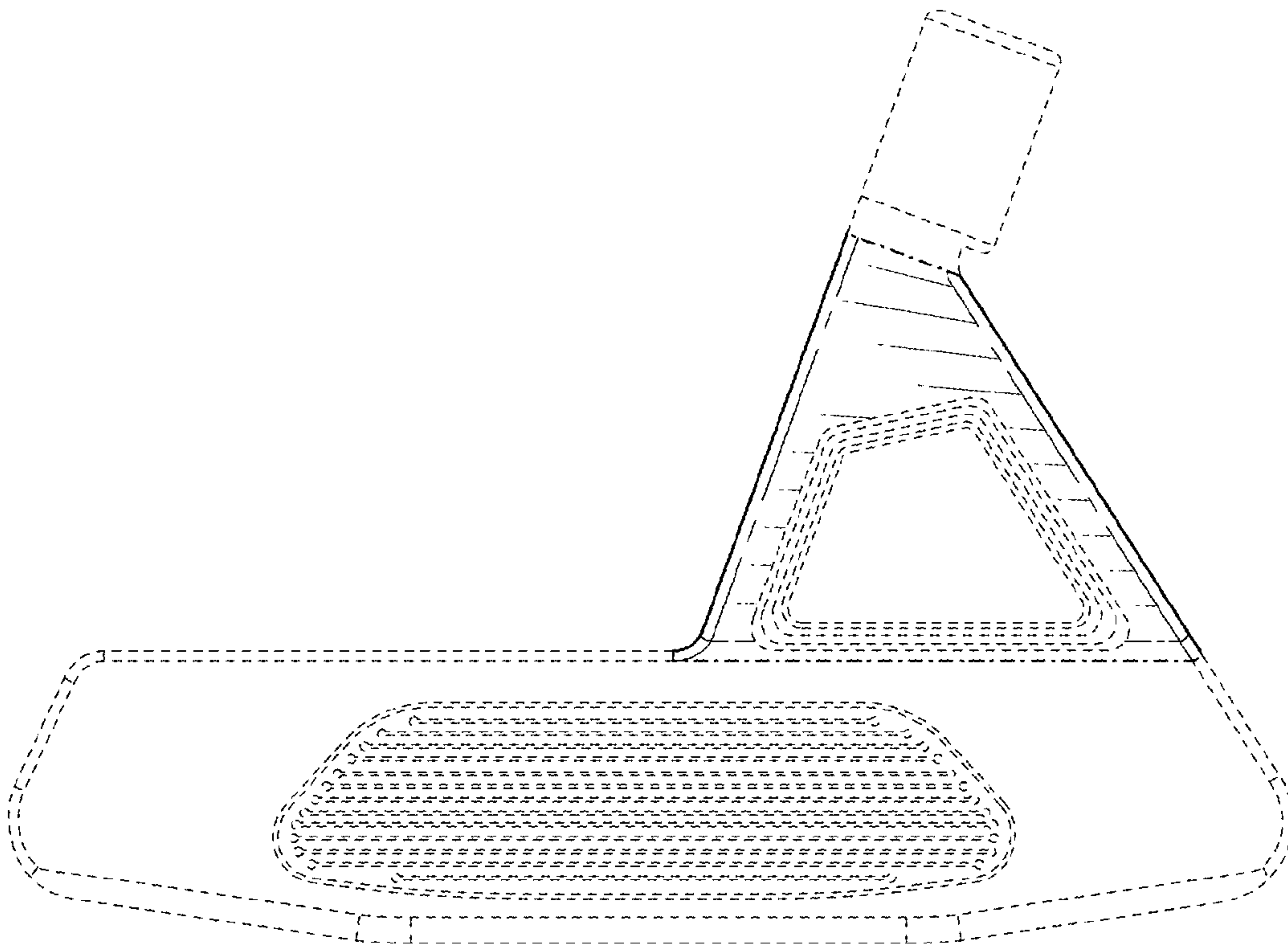


FIG. 2

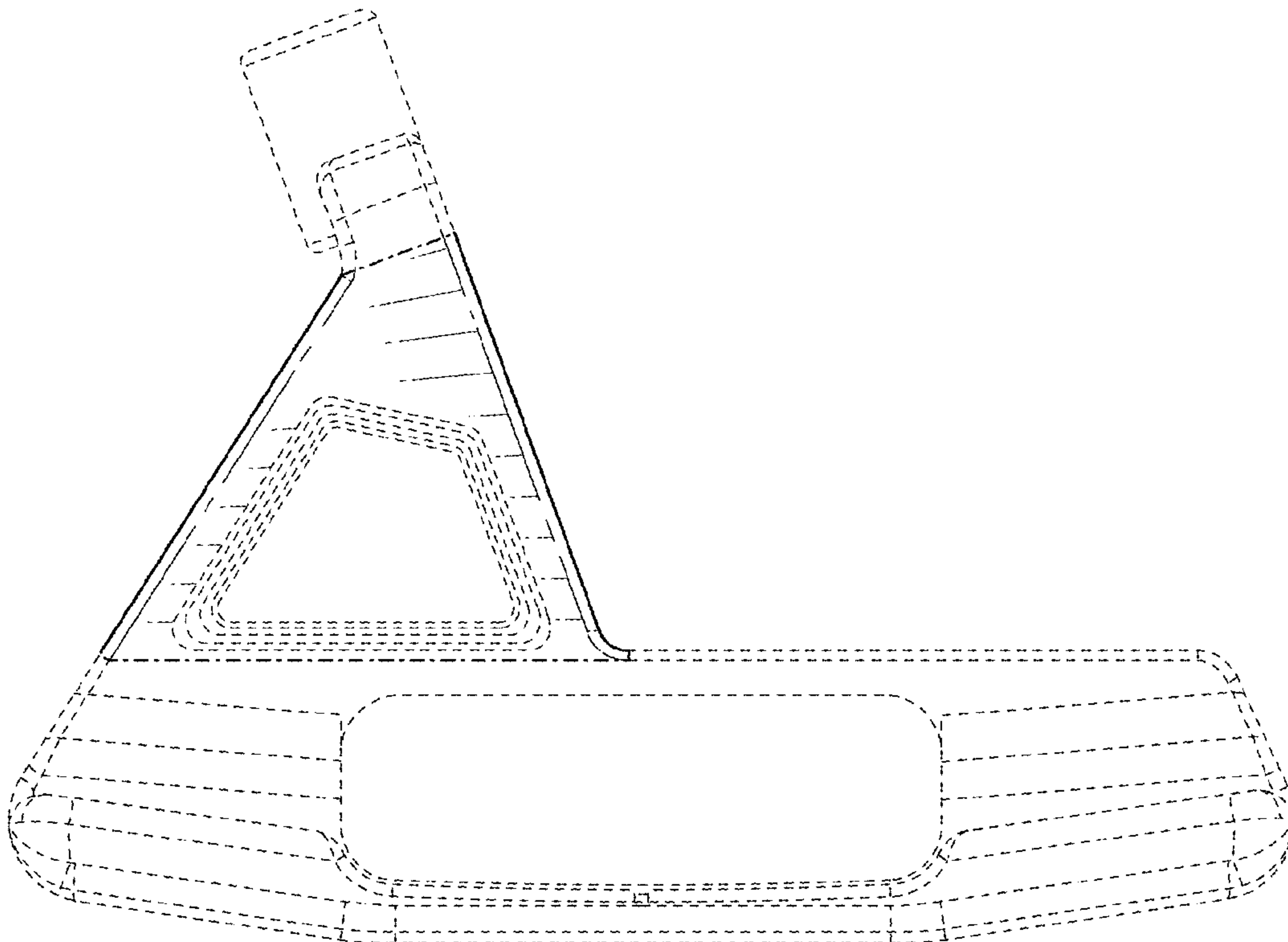


FIG. 3

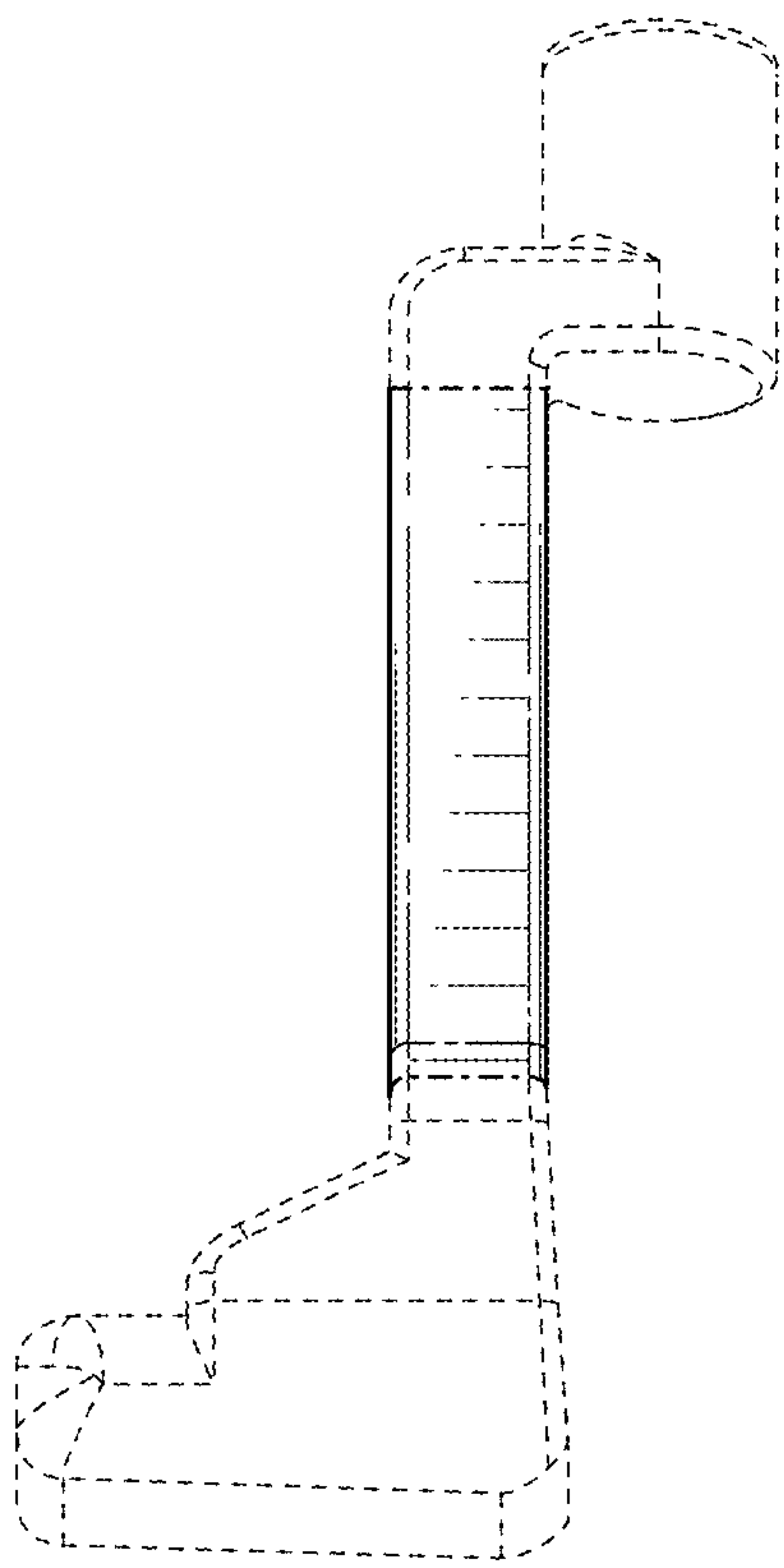


FIG. 4

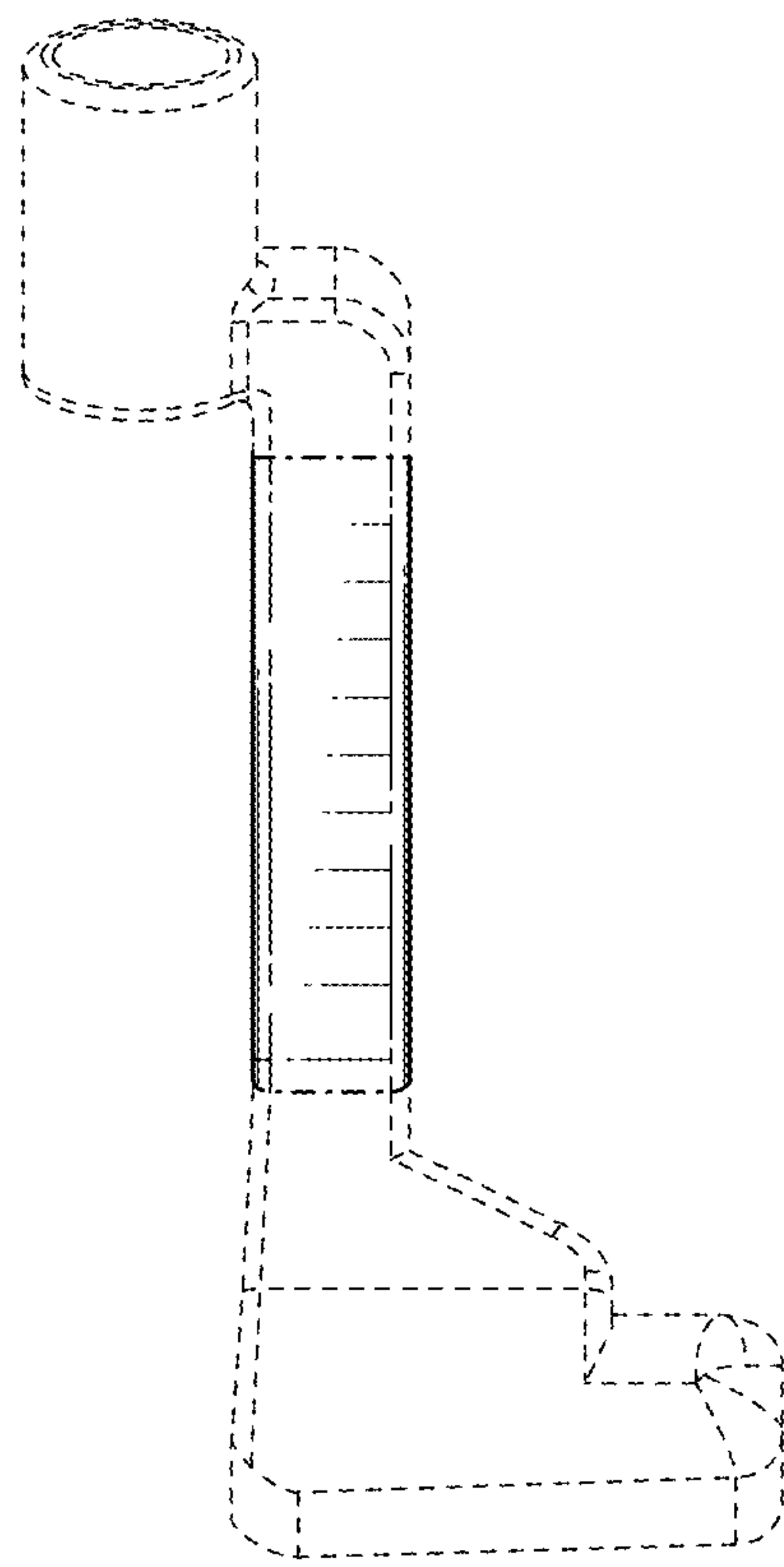


FIG. 5

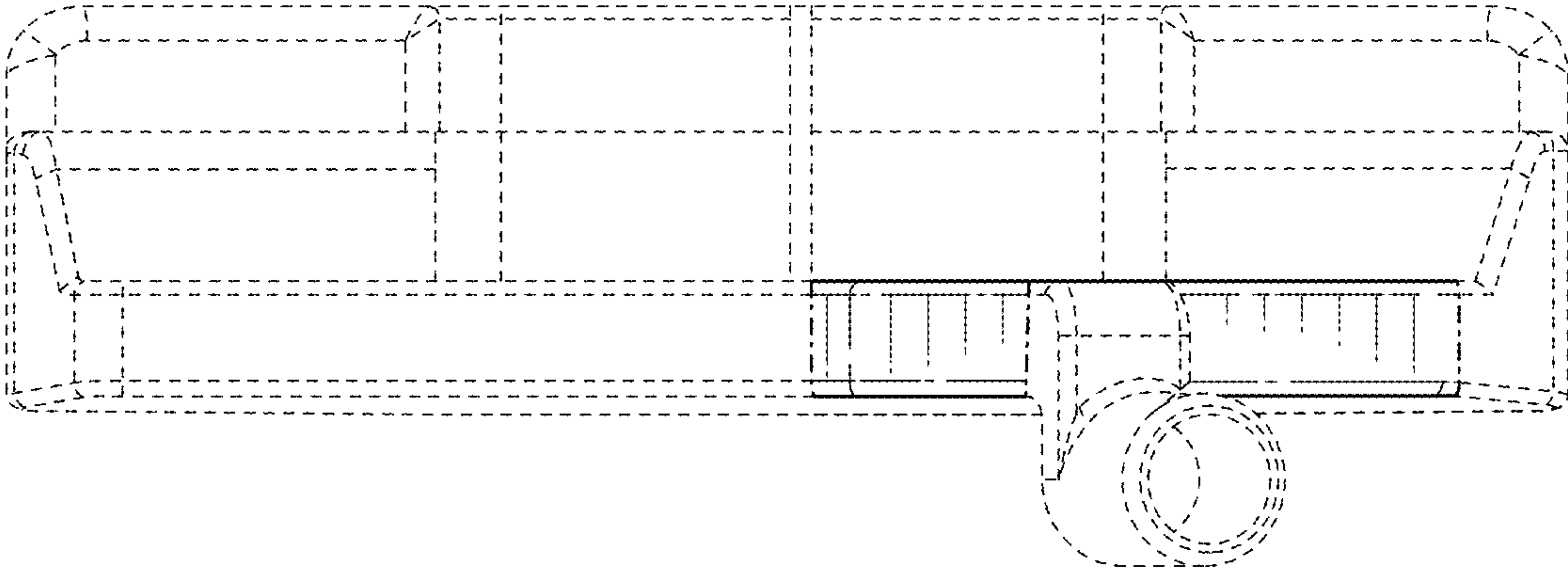


FIG. 6

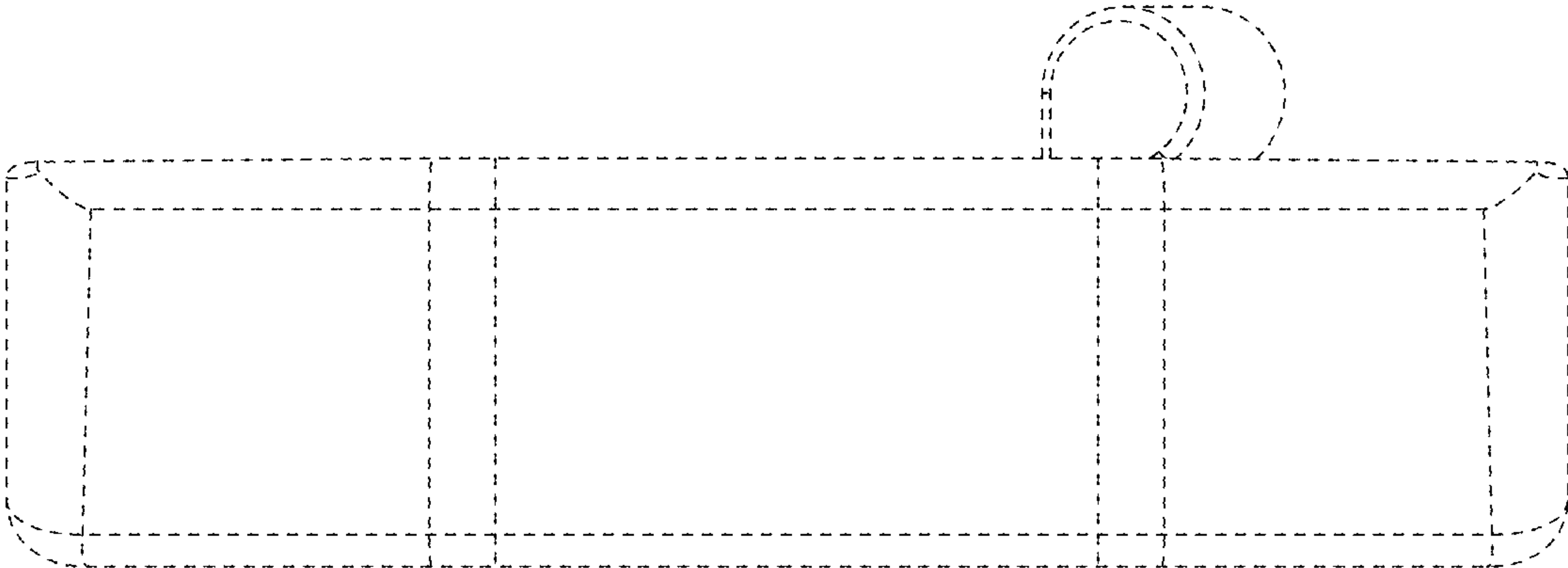


FIG. 7

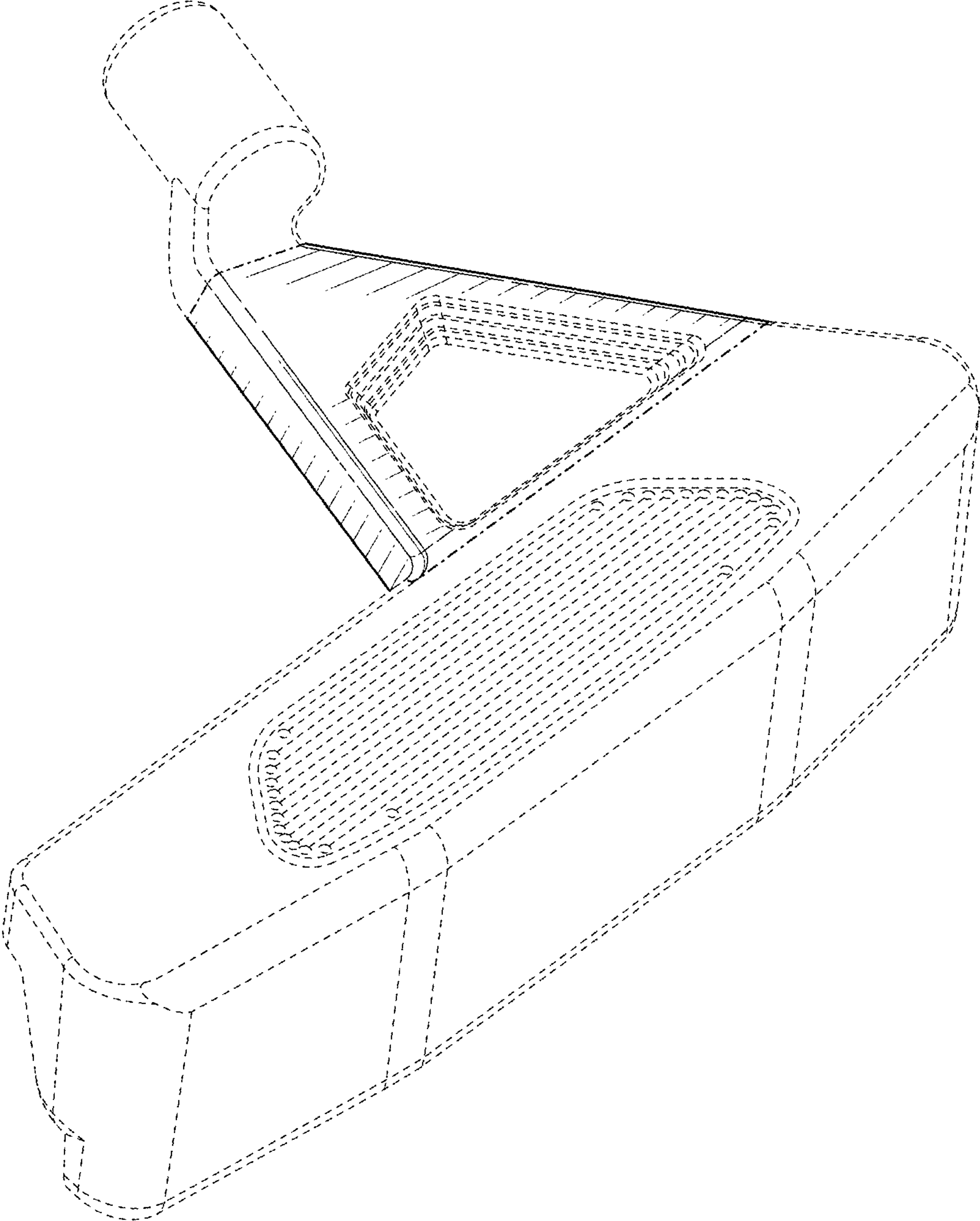


FIG. 8