



US00D925676S

(12) **United States Design Patent**  
**Hargraves et al.**

(10) **Patent No.:** **US D925,676 S**

(45) **Date of Patent:** **\*\* Jul. 20, 2021**

(54) **PUTTER HEAD COVER**

(71) Applicant: **CALLAWAY GOLF COMPANY,**  
Carlsbad, CA (US)

(72) Inventors: **Sean Hargraves,** Carlsbad, CA (US);  
**Matt Kovacevich,** Oceanside, CA (US);  
**Christian D. Maki,** San Diego, CA  
(US); **M. Grace Hohn,** Escondido, CA  
(US); **Mark Leposky,** Carlsbad, CA  
(US)

(73) Assignee: **Callaway Golf Company,** Carlsbad,  
CA (US)

(\*\*) Term: **15 Years**

(21) Appl. No.: **29/718,162**

(22) Filed: **Dec. 20, 2019**

(51) **LOC (13) Cl.** ..... **21-02**

(52) **U.S. Cl.**  
USPC ..... **D21/754**

(58) **Field of Classification Search**  
USPC ..... D21/754  
CPC ..... A63B 60/00; A63B 60/62; A63B 60/64  
See application file for complete search history.

(56) **References Cited**

**U.S. PATENT DOCUMENTS**

D484,210 S *	12/2003	Oldknow	.....	D21/754
D485,879 S *	1/2004	Cameron	.....	D21/754
D508,101 S *	8/2005	Chen	.....	D21/754
D527,435 S *	8/2006	Chen	.....	D21/754
D527,779 S *	9/2006	Chen	.....	D21/754
D529,113 S *	9/2006	Chen	.....	D21/754
D549,294 S *	8/2007	Cameron	.....	D21/754
D561,858 S *	2/2008	Chen	.....	D21/754
D576,238 S *	9/2008	Chen	.....	D21/754
D576,239 S *	9/2008	Chen	.....	D21/754
D585,512 S *	1/2009	Quartarone, III	.....	D21/754
D590,901 S *	4/2009	Chen	.....	D21/754

D617,404 S *	6/2010	McGuire	.....	D21/754
D617,862 S *	6/2010	McGuire	.....	D21/754
D631,113 S *	1/2011	Chen	.....	D21/754
D631,114 S *	1/2011	Chen	.....	D21/754
D634,802 S *	3/2011	Chen	.....	D21/754
D635,210 S *	3/2011	Chen	.....	D21/754

(Continued)

*Primary Examiner* — Mitchell I. Siegel

(74) *Attorney, Agent, or Firm* — Rebecca Hanovice;  
Michael Catania; Sonia Lari

(57) **CLAIM**

The ornamental design for a putter head cover, as shown and described.

**DESCRIPTION**

FIG. 1 is a top perspective view of the first embodiment of the putter head cover claimed herein in an open configuration;

FIG. 2 is a front elevational view thereof;

FIG. 3 is a rear elevational view thereof;

FIG. 4 is a left side elevational view thereof;

FIG. 5 is a right side elevational view thereof;

FIG. 6 is a top plan view thereof;

FIG. 7 is a bottom plan view thereof;

FIG. 8 is a rear perspective view thereof in a closed configuration;

FIG. 9 is a top perspective view of a second embodiment of the putter head cover claimed herein;

FIG. 10 is a front elevational view of FIG. 9;

FIG. 11 is a rear elevational view of FIG. 9;

FIG. 12 is a left side elevational view of FIG. 9;

FIG. 13 is a right side elevational view of FIG. 9;

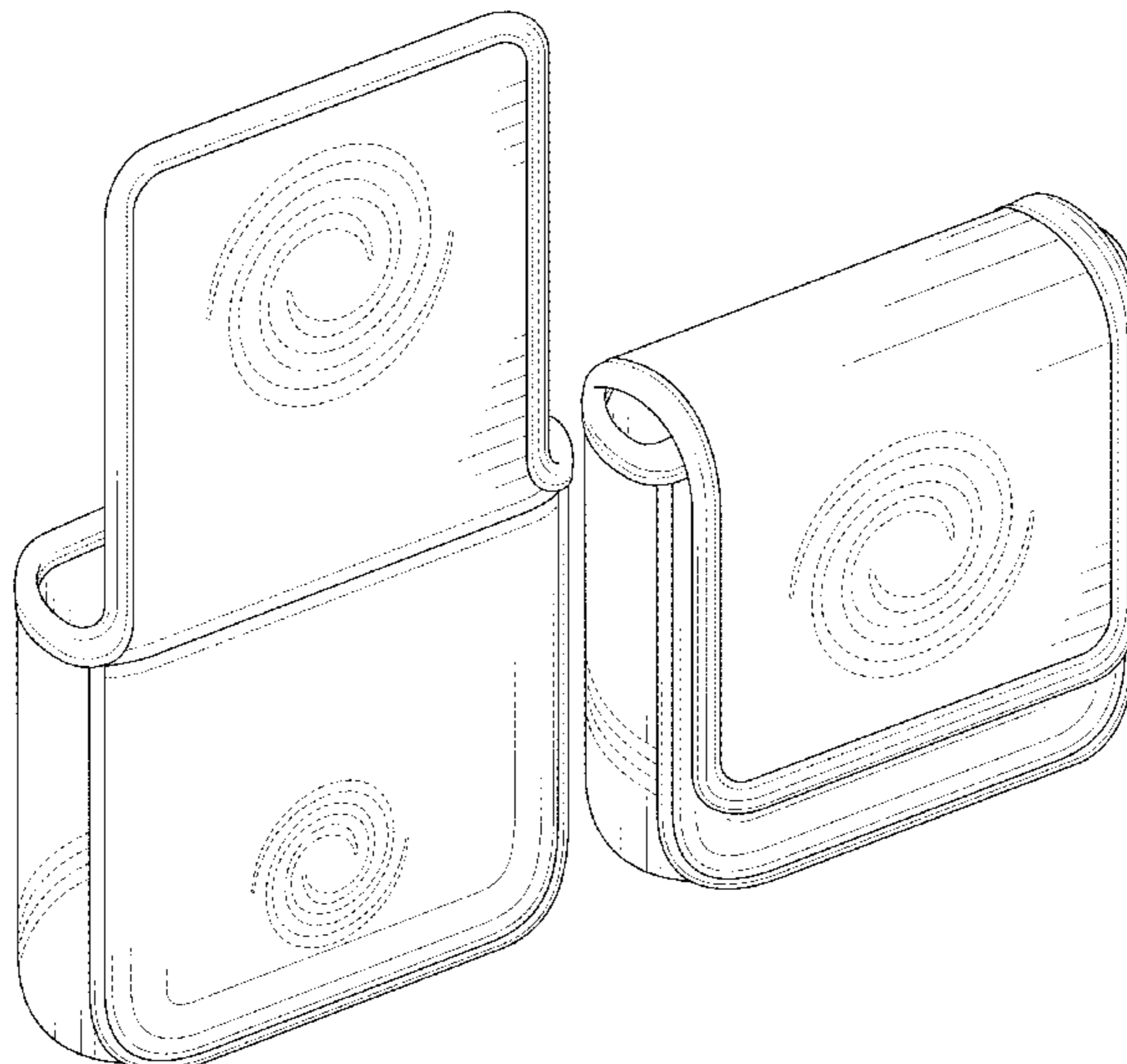
FIG. 14 is a top plan view of FIG. 9;

FIG. 15 is a bottom plan view of FIG. 9; and,

FIG. 16 is a rear perspective view of FIG. 9 in a closed configuration.

The broken lines shown in the drawings form no part of the claimed design.

**1 Claim, 12 Drawing Sheets**



(56)

**References Cited**

U.S. PATENT DOCUMENTS

D639,365	S *	6/2011	Chen	.....	D21/754
D647,154	S *	10/2011	Low	.....	D21/754
D656,571	S *	3/2012	Low	.....	D21/754
D659,783	S *	5/2012	Serrano	.....	D21/754
D790,643	S *	6/2017	Harris	.....	D21/754
D796,607	S *	9/2017	Gaffney	.....	D21/754
D820,930	S *	6/2018	Gaffney	.....	D21/754
D860,361	S *	9/2019	Cameron	.....	D21/754
D881,305	S *	4/2020	Cho	.....	D21/754
2011/0048596	A1 *	3/2011	Low	.....	A63B 57/60 150/160
2017/0216693	A1 *	8/2017	Gaffney	.....	A63B 60/62
2019/0358509	A1 *	11/2019	Gaffney	.....	A63B 60/64

\* cited by examiner

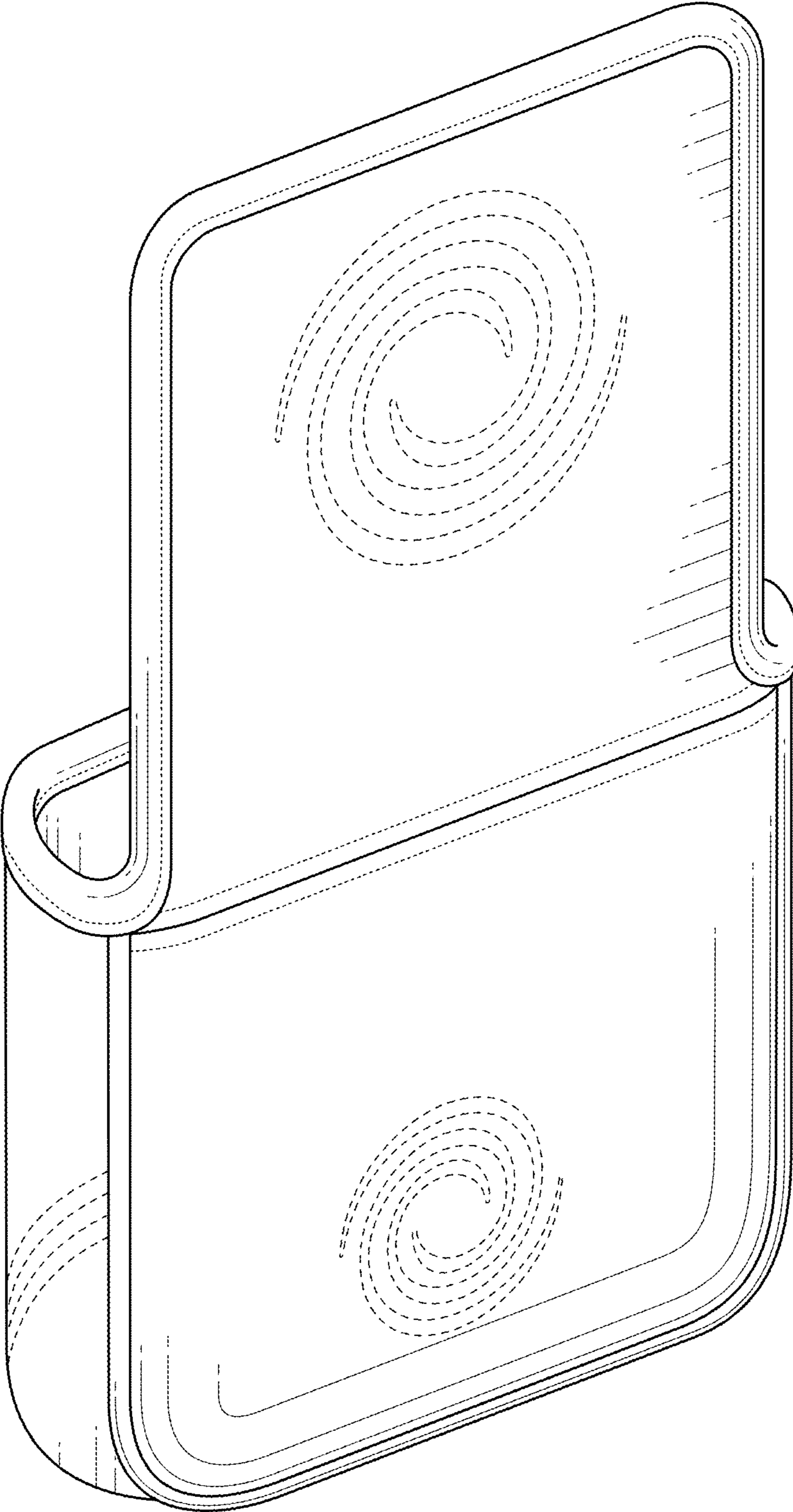


FIG. 1

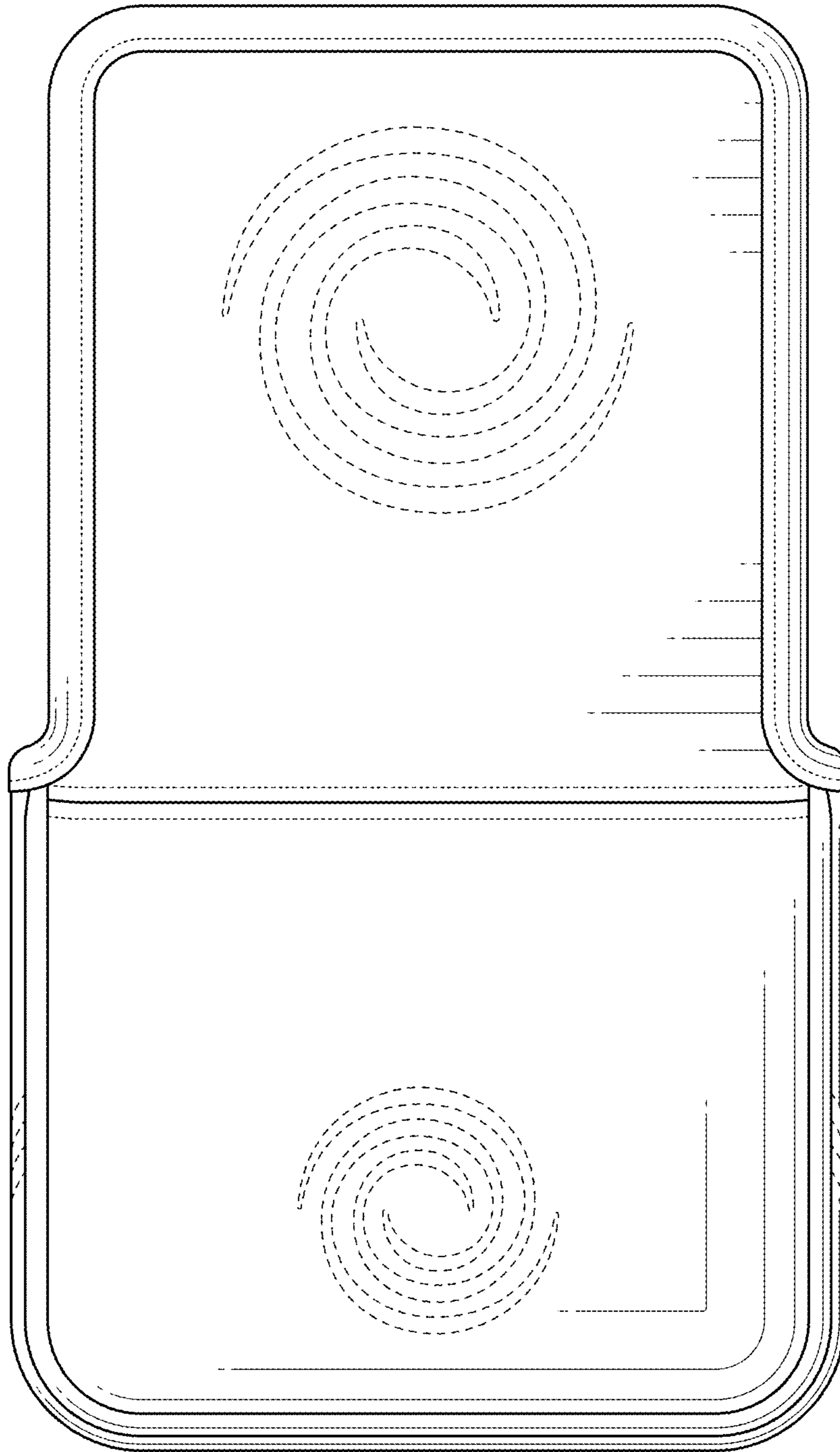


FIG. 2



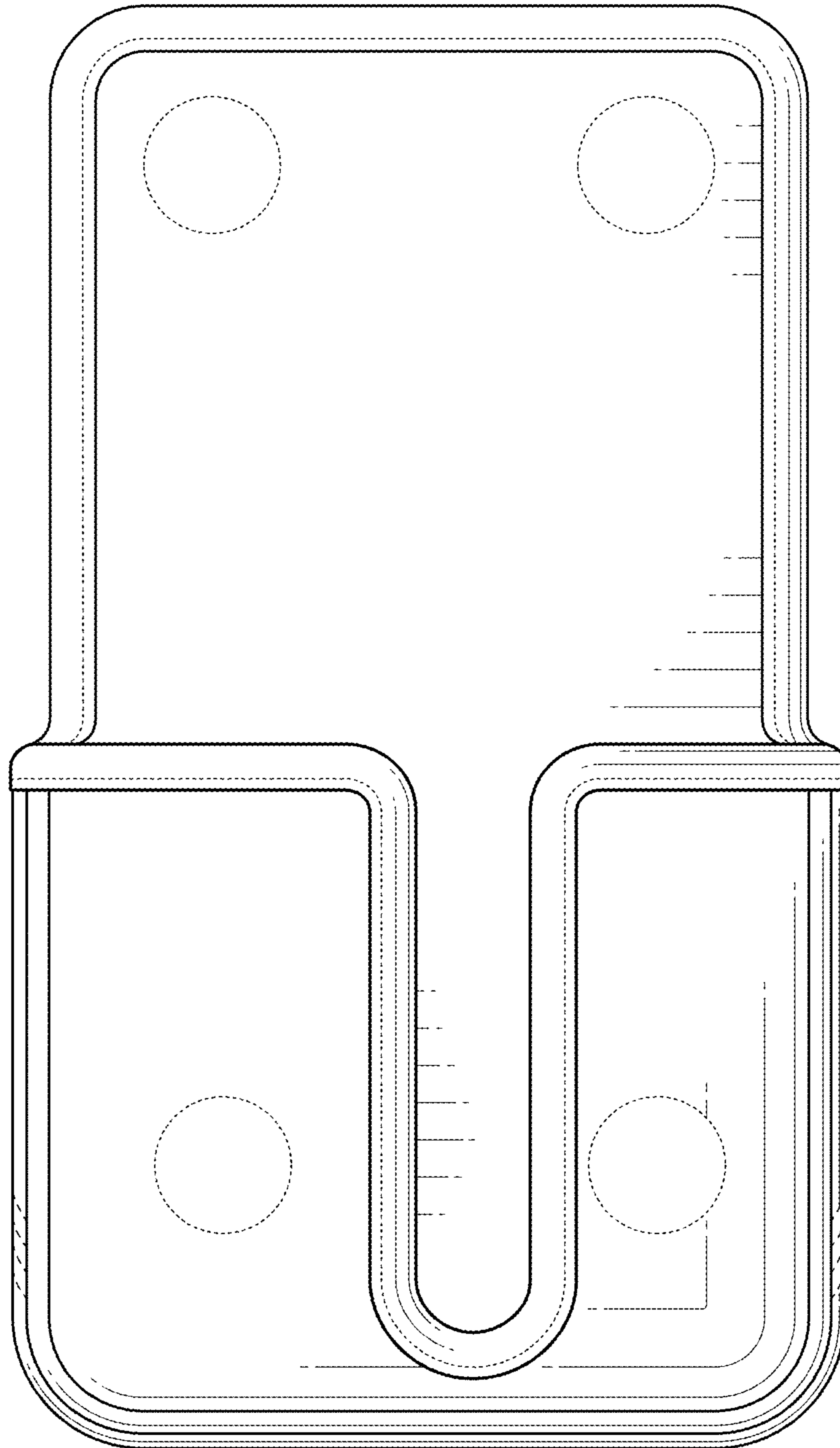


FIG. 3

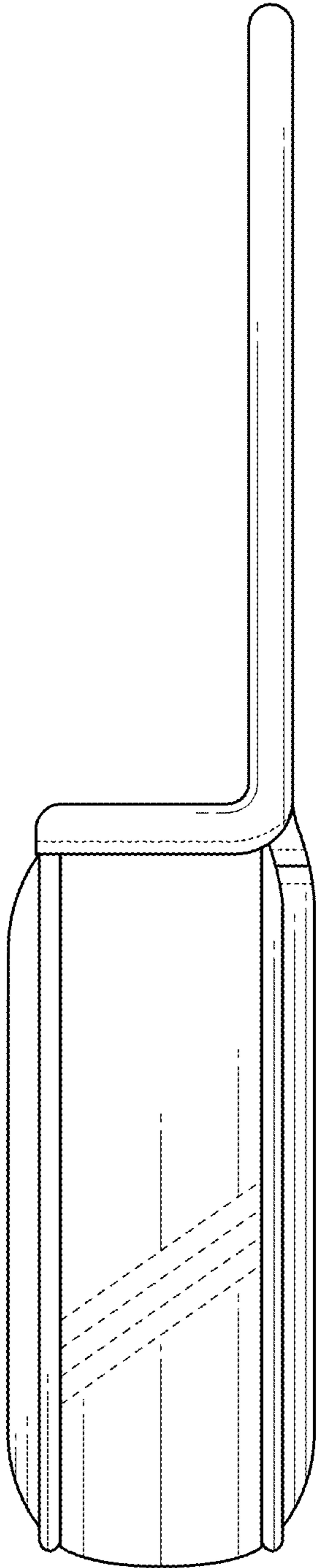


FIG. 4

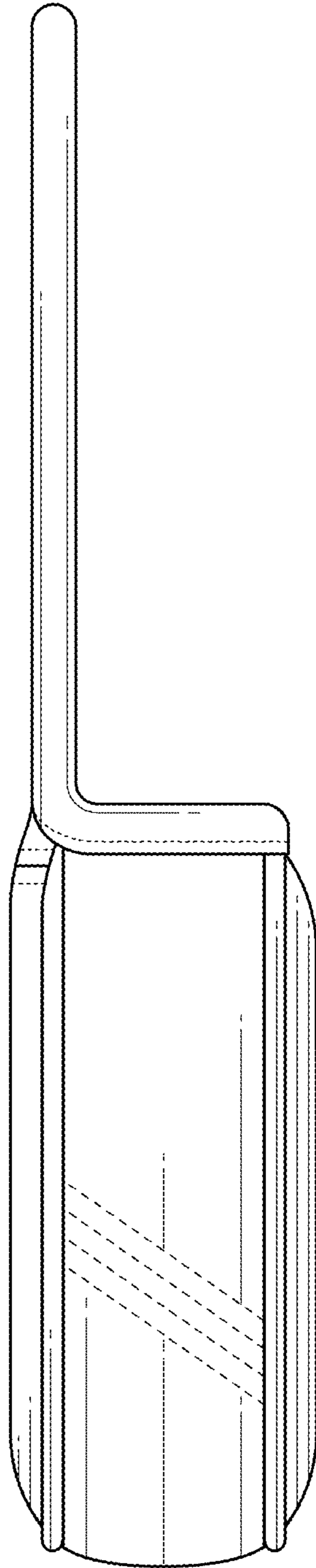


FIG. 5

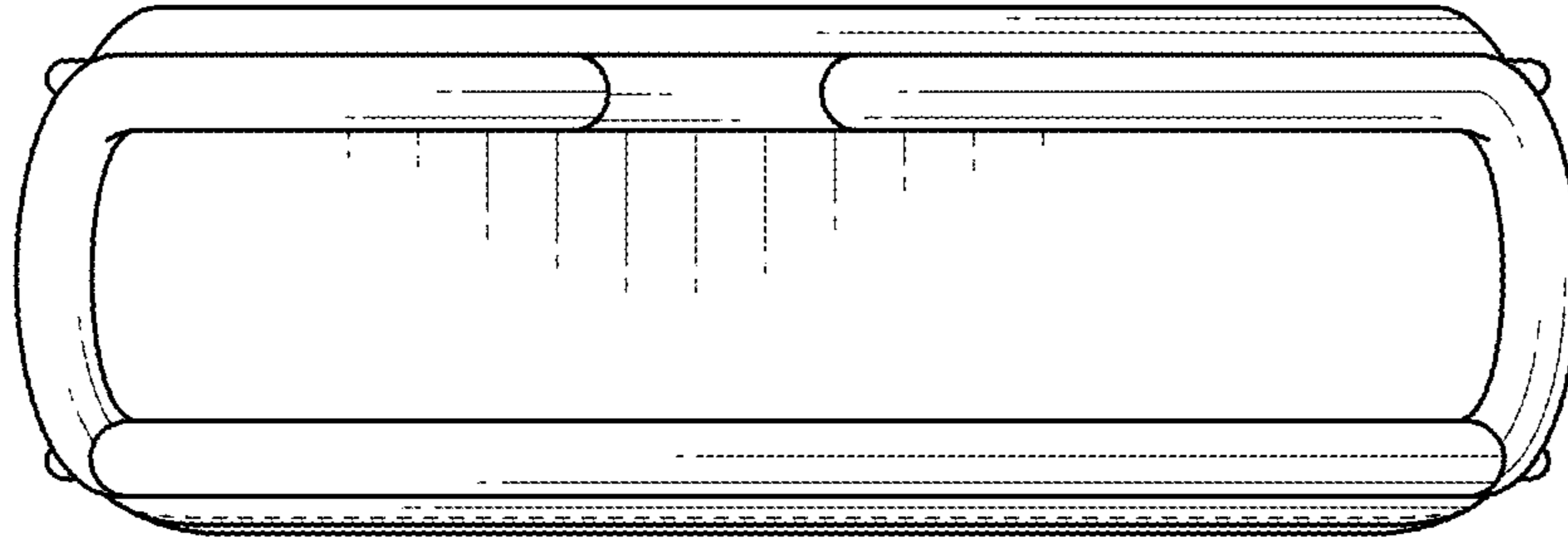


FIG. 6

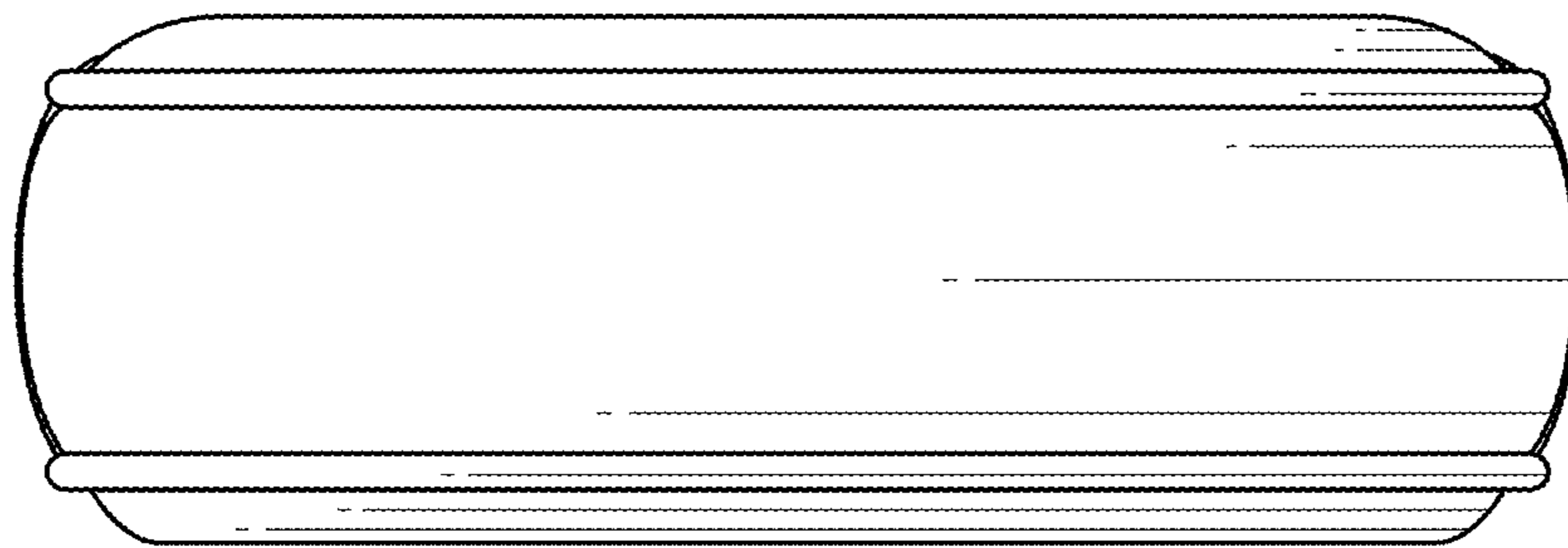


FIG. 7

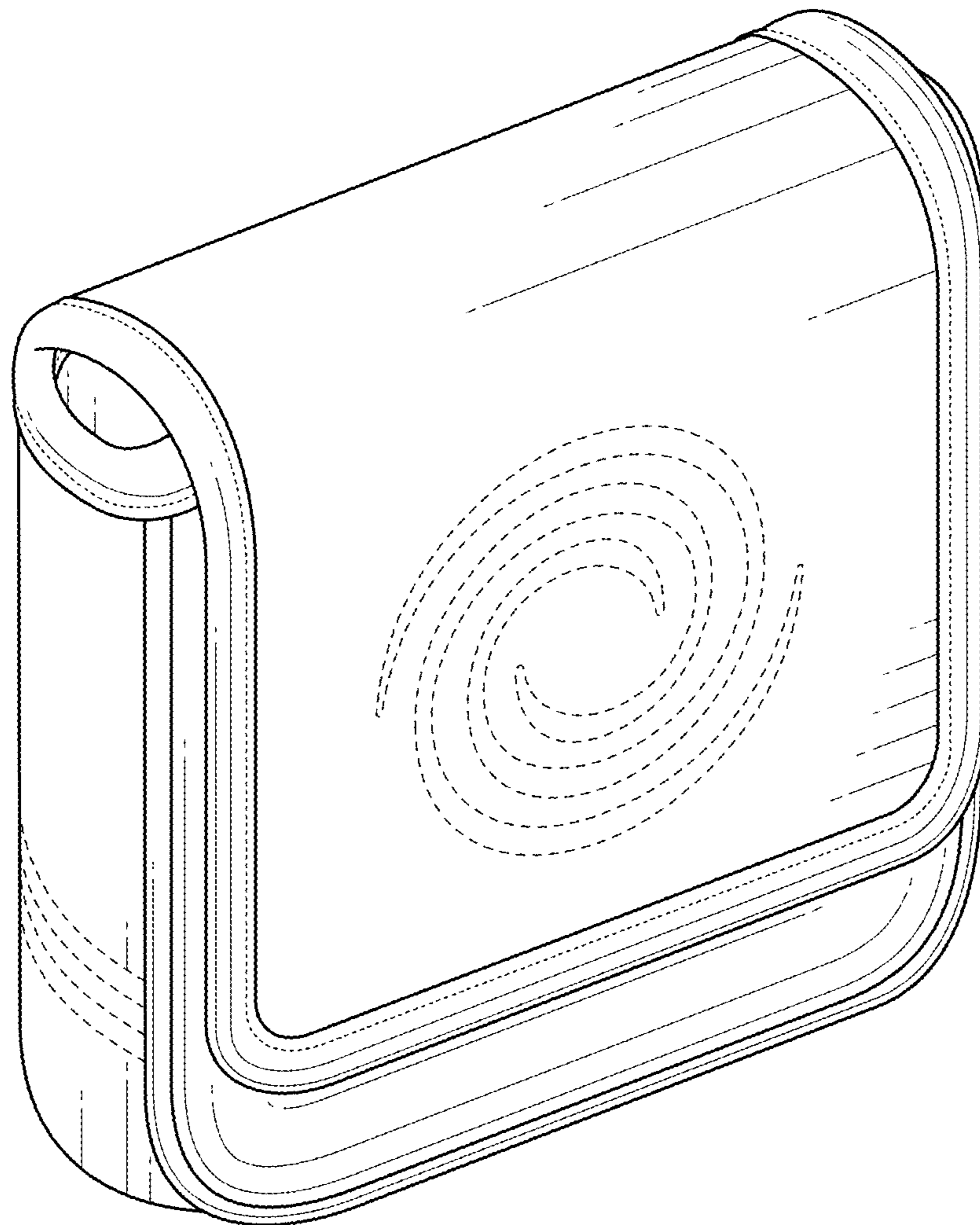


FIG. 8



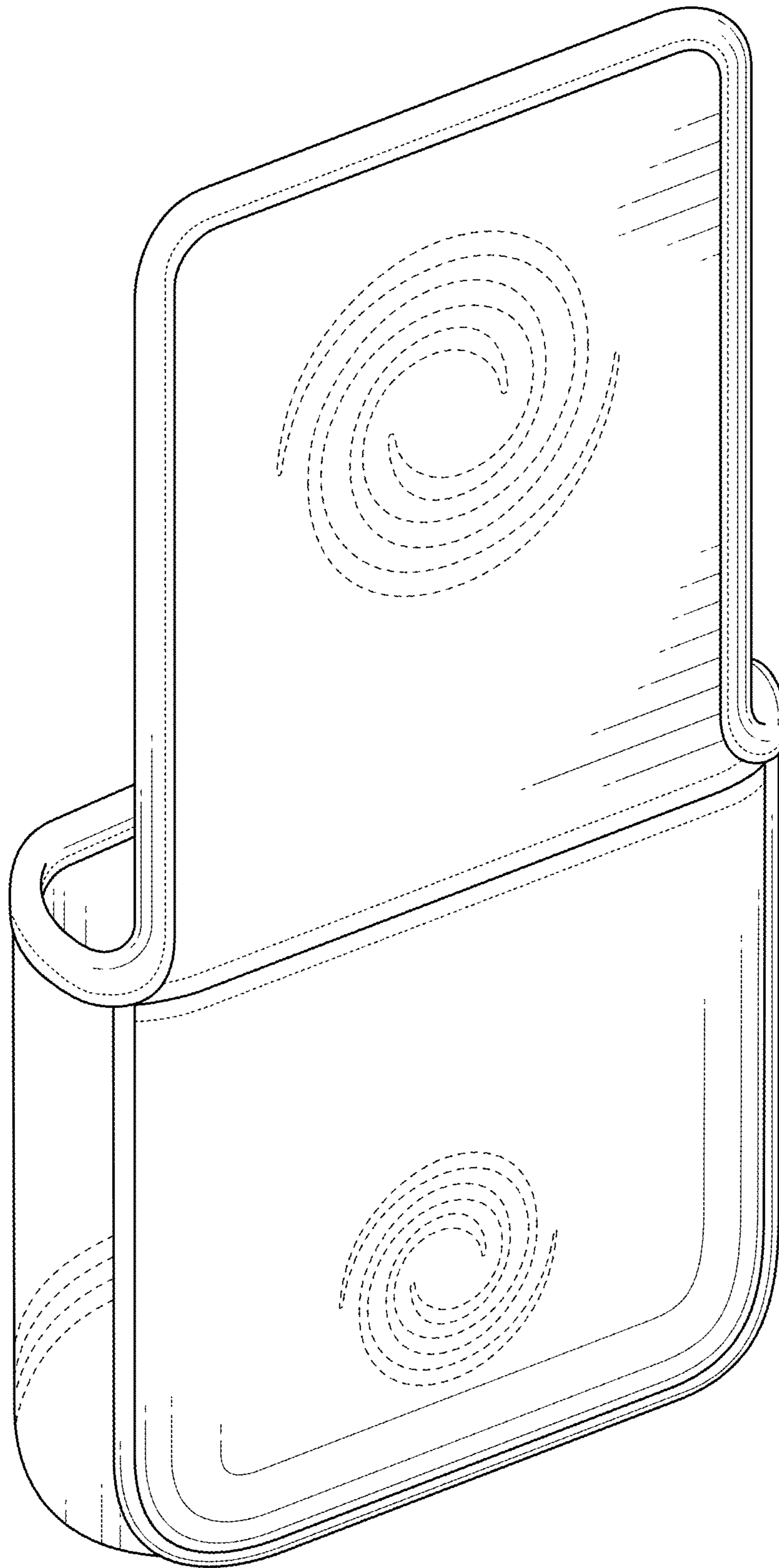


FIG. 9

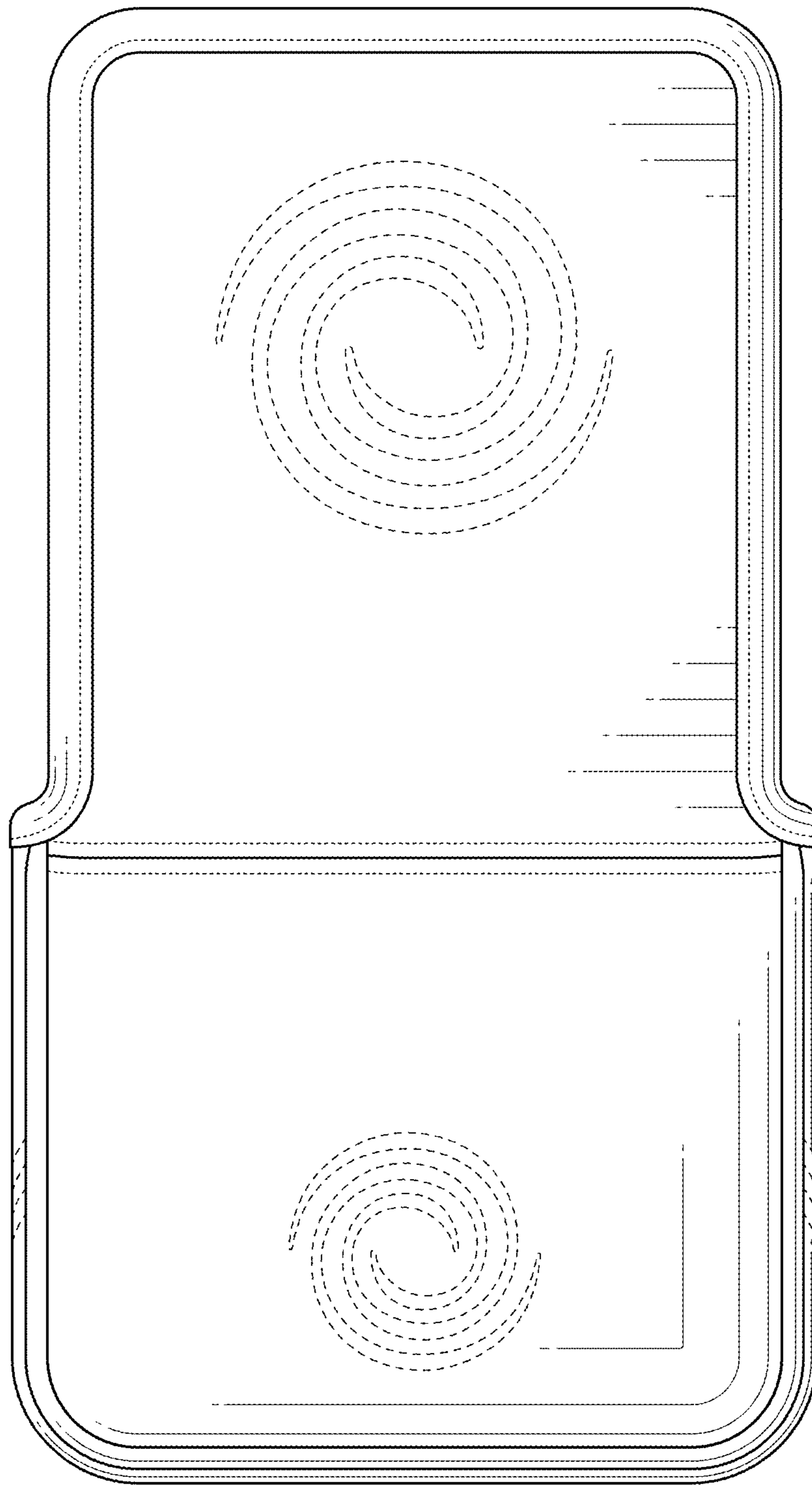


FIG. 10

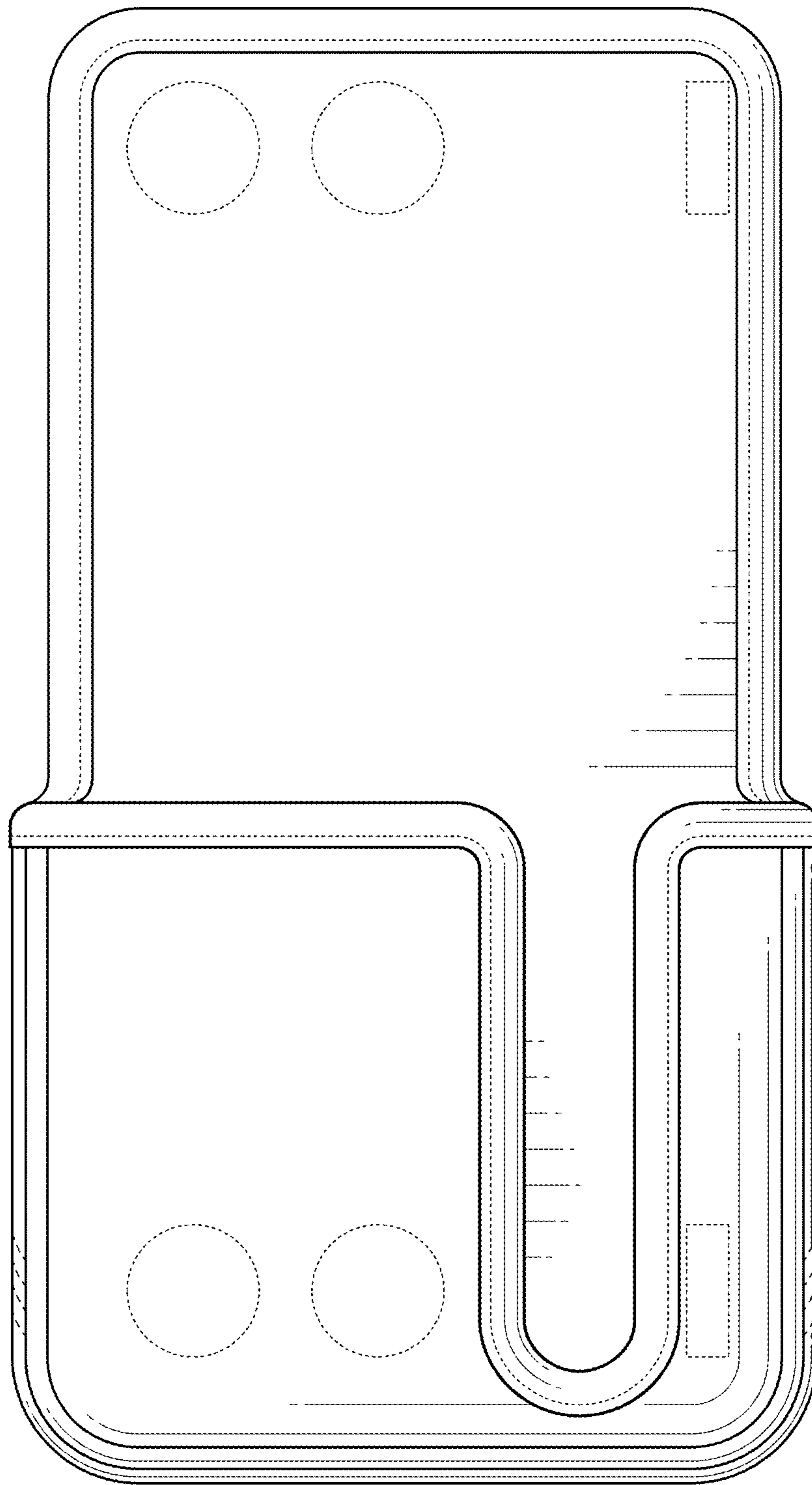


FIG. 11

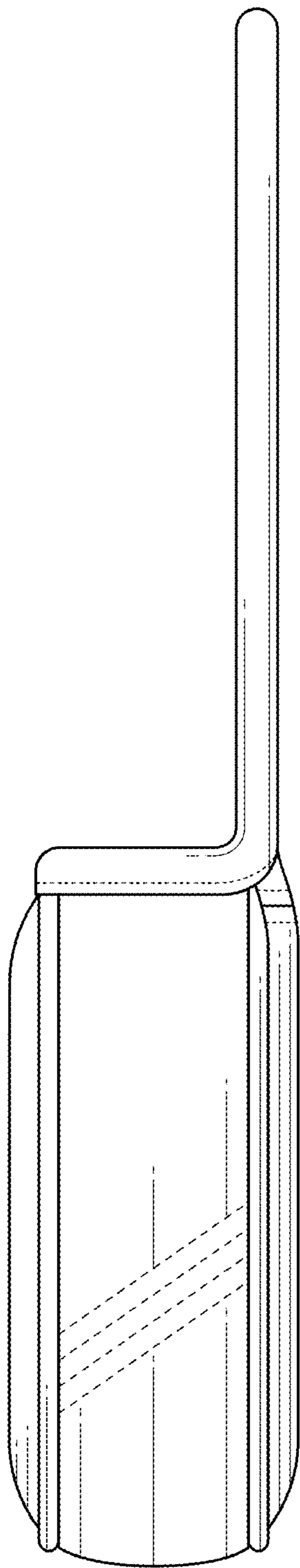


FIG. 12

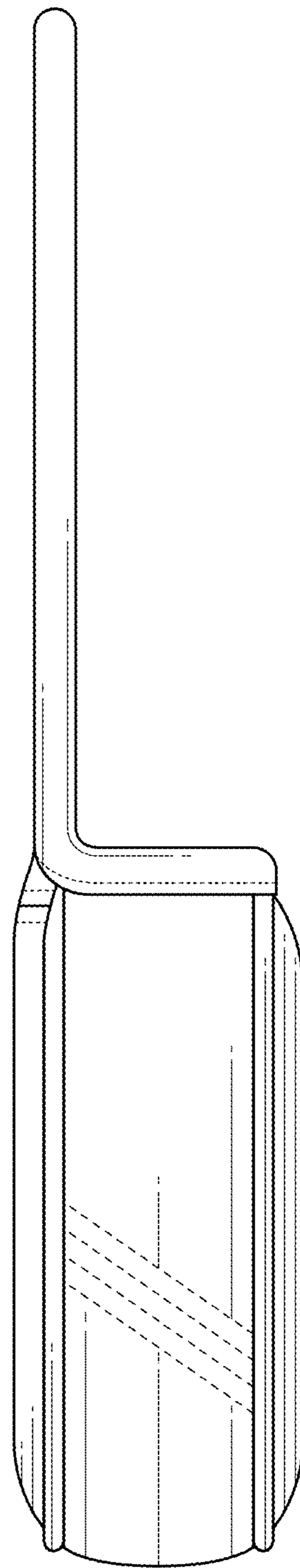


FIG. 13

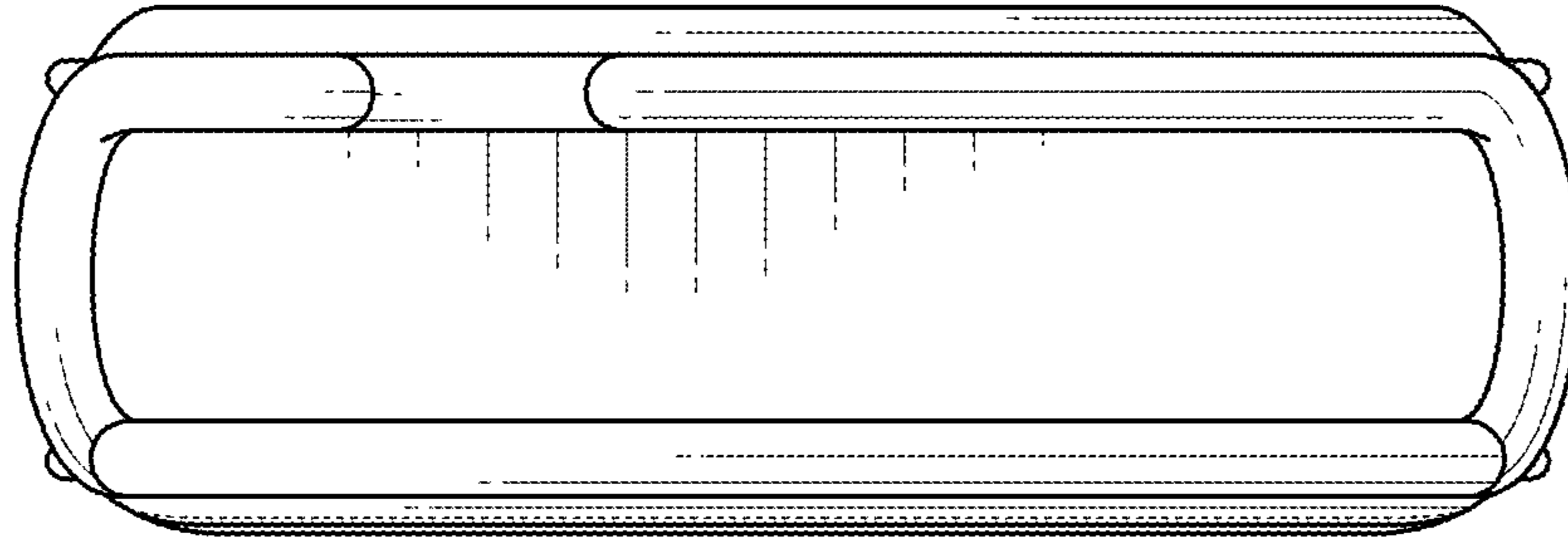


FIG. 14

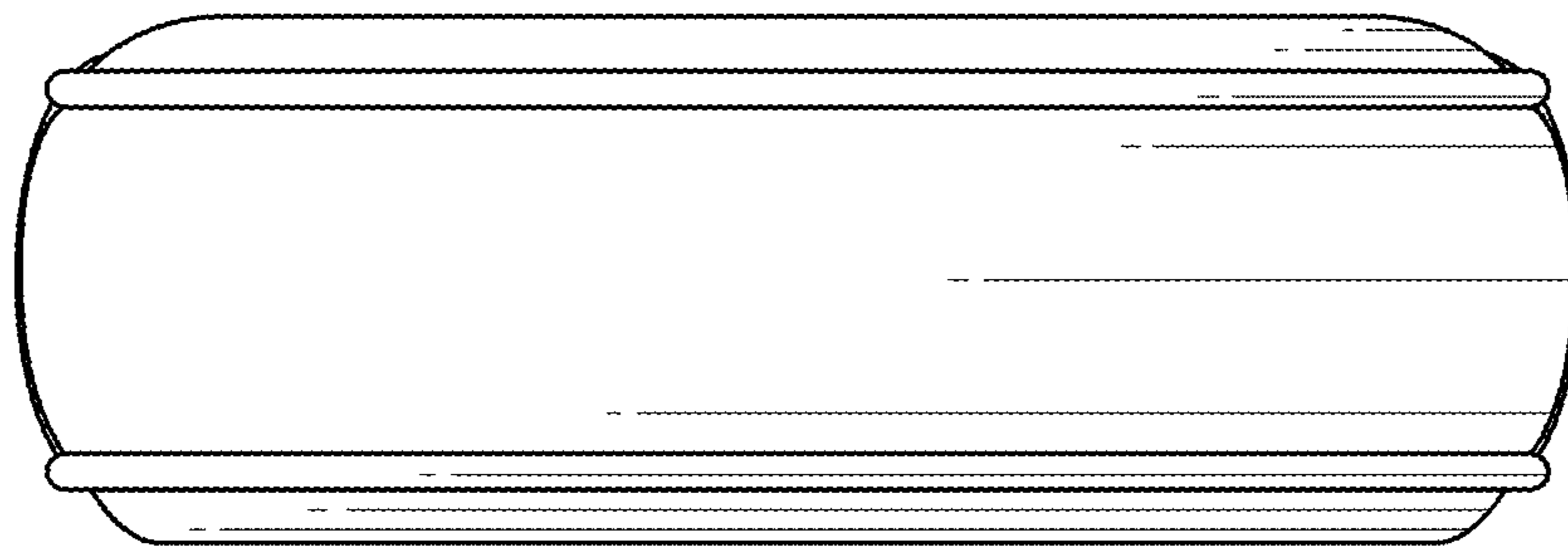


FIG. 15



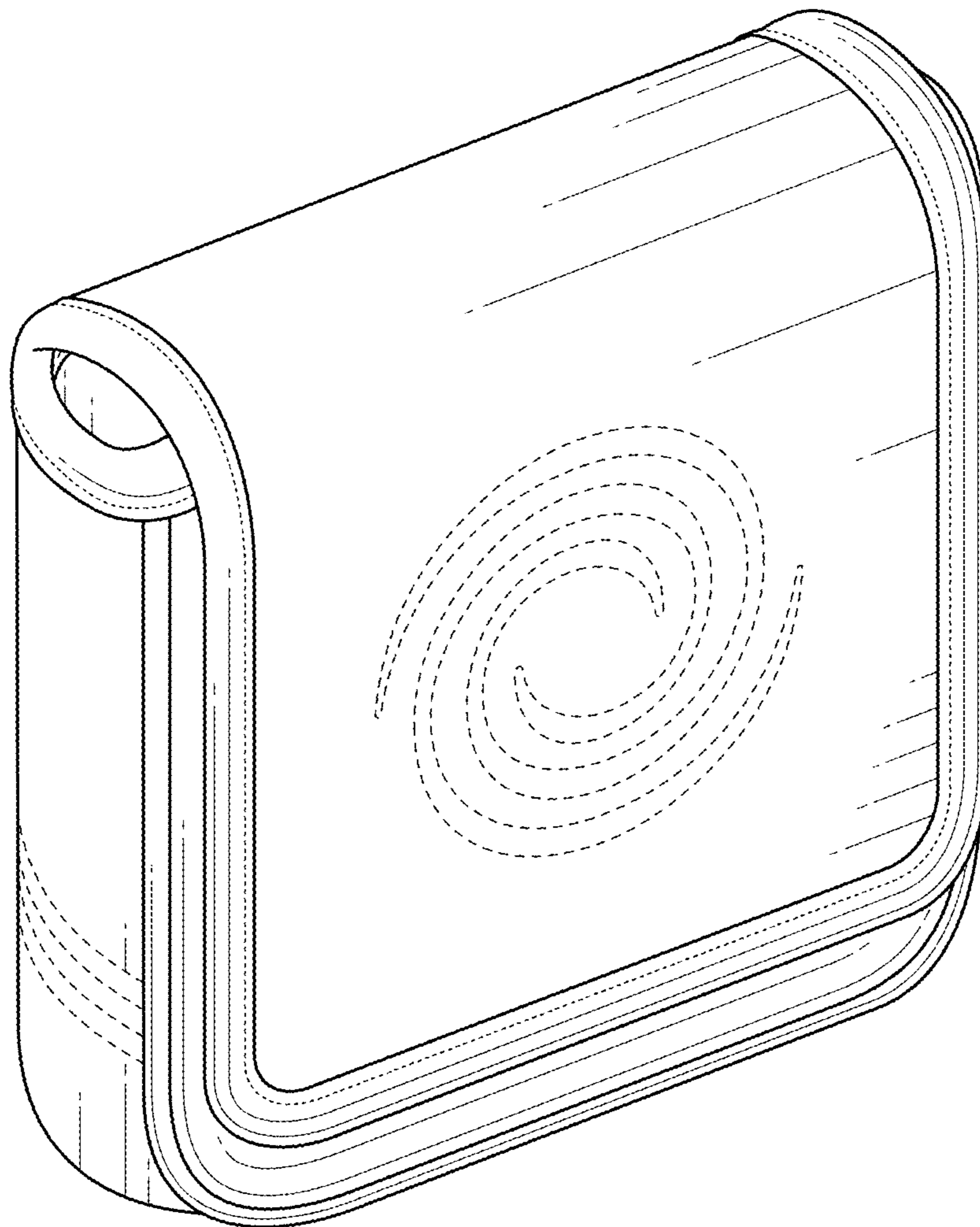


FIG. 16