



US00D925672S

(12) **United States Design Patent**
Chong

(10) **Patent No.:** **US D925,672 S**

(45) **Date of Patent:** **** Jul. 20, 2021**

(54) **ANKLE HOLDER FOR AN INVERSION THERAPY TABLE**

(71) Applicant: **On Chong**, Sunnyvale, CA (US)

(72) Inventor: **On Chong**, Sunnyvale, CA (US)

(73) Assignee: **Innova Products, Inc.**, Sunnyvale, CA (US)

(**) Term: **15 Years**

(21) Appl. No.: **29/717,841**

(22) Filed: **Dec. 19, 2019**

(51) **LOC (13) Cl.** **21-02**

(52) **U.S. Cl.**
USPC **D21/694**

(58) **Field of Classification Search**
USPC D21/686, 687, 662, 694, 692, 797, 689,
D21/698, 788; D6/349, 330, 335, 336,
D6/337, 338, 340, 350, 351, 352, 353,
D6/354, 355, 358, 359, 364, 366, 376,
D6/491, 495, 500, 501, 502; D24/190,
D24/191, 192, 167
CPC A63B 26/00; A63B 69/0093
See application file for complete search history.

(56) **References Cited**

U.S. PATENT DOCUMENTS

D334,623 S *	4/1993	Burton	D24/188
D460,508 S *	7/2002	Ish, III	D21/694
D471,042 S *	3/2003	Schmitz	D6/366
7,399,260 B1 *	7/2008	Chen	A61H 1/0218 403/109.3
D597,754 S *	8/2009	Lukic	D6/349
D599,025 S *	8/2009	Mayhew	D24/192
D606,601 S *	12/2009	Muramatsu	D21/686
D610,853 S *	3/2010	Straub	D6/601
D631,109 S *	1/2011	Morin	D21/694
D665,089 S *	8/2012	Brown	D24/190
D673,401 S *	1/2013	Diffrient	D6/716.4
D675,686 S *	2/2013	Maki	A63B 21/4043 D21/662
D678,536 S *	3/2013	Niefer	D24/190

D746,620 S *	1/2016	King	D6/682
D752,162 S *	3/2016	Adrig	D21/694
D798,397 S *	9/2017	Bellevue	D21/686
D807,448 S *	1/2018	Tseng	D21/694

(Continued)

OTHER PUBLICATIONS

Air soft ankle holder, announced [2019], [site visited Apr. 13, 2021]. Available on internet, URL:https://www.amazon.com/IRONMAN-Gravity-Capacity-Inversion-SURELOCK/dp/B07TQWFMS3/ref=sr_1_2_sspa?dchild=1&keywords=ankle+holder+for+inversion+table&qid=1618363356&sr=8-2-spons&psc=1&spLa=ZW5jcnlwdGVkUXVhbGlmaWVyPUEwNjE1NDkyMVJKQ0RQSjc0T1INUSZ3aWRnZXR RBZEikPUEwNjE1NDkyMVJKQ0RQSjc0T1INUSZ3aWRnZXR OYWlIPXNwX2F0ZiZhY3Rpb249Y2xpY2tSZWRpcmVjdCZkb0 5vdExvZ0NsaWNrPXRydWU=(Year: 2019).*

(Continued)

Primary Examiner — Khawaja Anwar
Assistant Examiner — Julice Seung Eun Oum

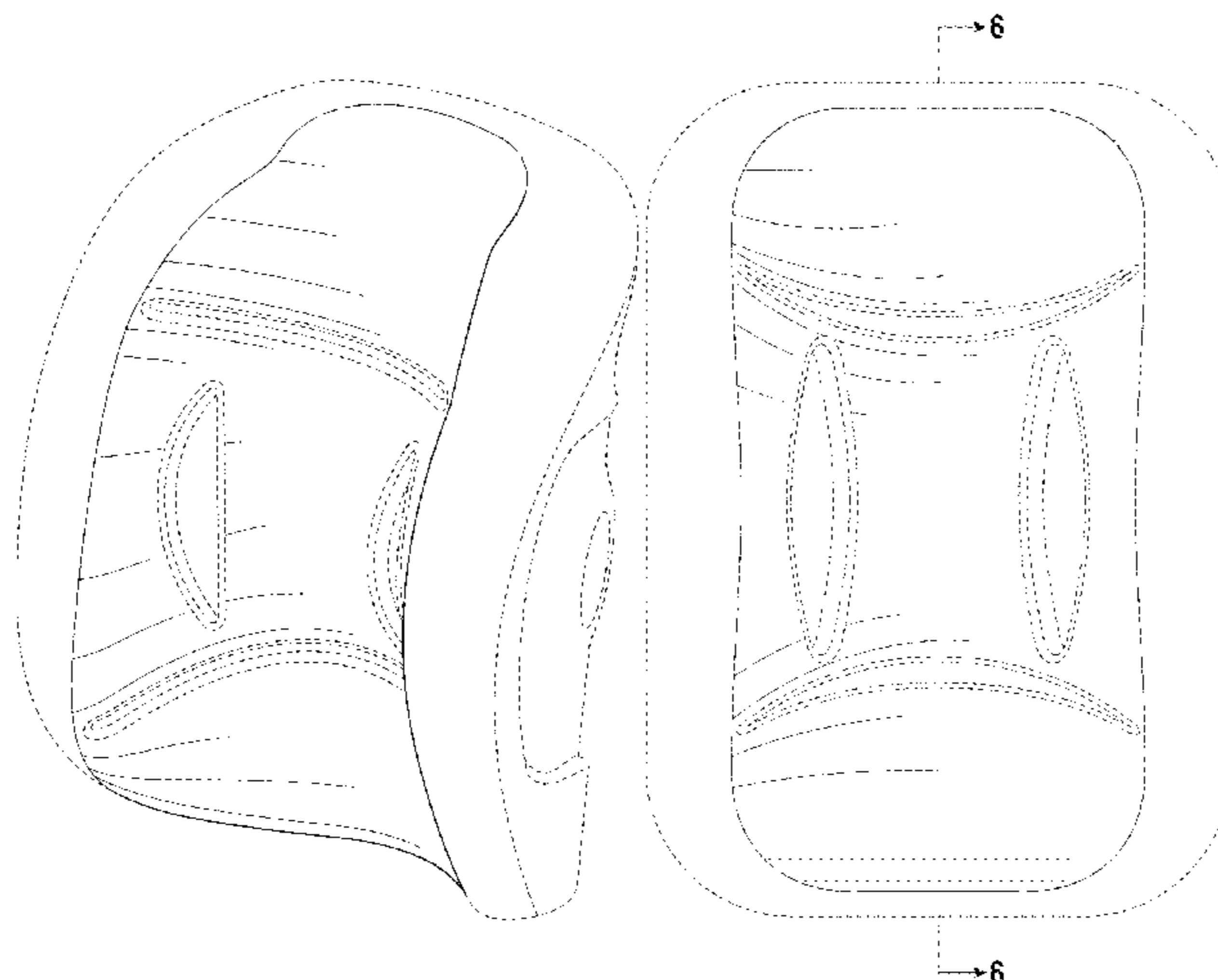
(57) **CLAIM**

The ornamental design for an ankle holder for an inversion therapy table, as shown and described.

DESCRIPTION

FIG. 1 is a perspective view of an ankle holder for an inversion table showing my new design. FIG. 2 is a front view thereof. FIG. 3 is a top view thereof. FIG. 4 is a bottom view thereof. FIG. 5 is a side view thereof. FIG. 6 is a cross section view thereof; and, FIG. 7 is another perspective view of the ankle holder shown in FIG. 1 in an environment as part of an inversion therapy table. The evenly spaced lines shown in the drawing are for illustrative purposes only and form no part of the claimed design. The unevenly spaced lines represent surface shading.

1 Claim, 6 Drawing Sheets



(56)

References Cited

U.S. PATENT DOCUMENTS

D813,571 S * 3/2018 Weiss G01G 19/52
D6/596
D846,325 S * 4/2019 Tsai D6/716.4
D896,461 S * 9/2020 Troyan D34/11
2010/0075819 A1 * 3/2010 Maki A63B 21/4035
482/139
2021/0093503 A1 * 4/2021 Restiano A61H 7/001

OTHER PUBLICATIONS

Everlasting comfort memory cushion, announced [2016], [site visited Apr. 13, 2021]. Available on internet, URL:https://www.amazon.com/Everlasting-Comfort-100-Memory-Cushion/dp/B01IJNJAZ0/ref=sr_1_36?dchild=1&keywords=backrest&qid=1618941577&sr=8-36 (Year: 2016).*

* cited by examiner

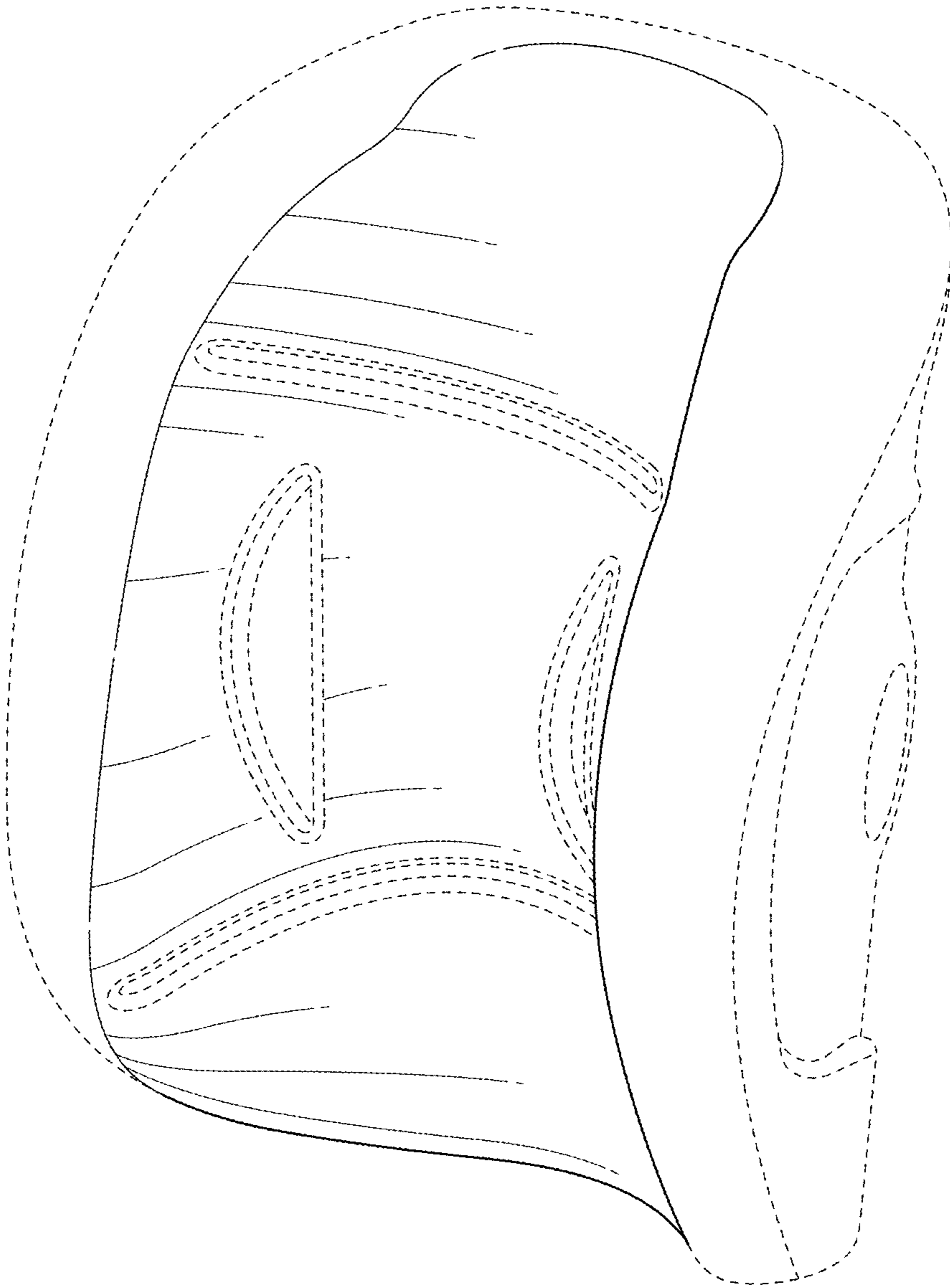


FIG. 1

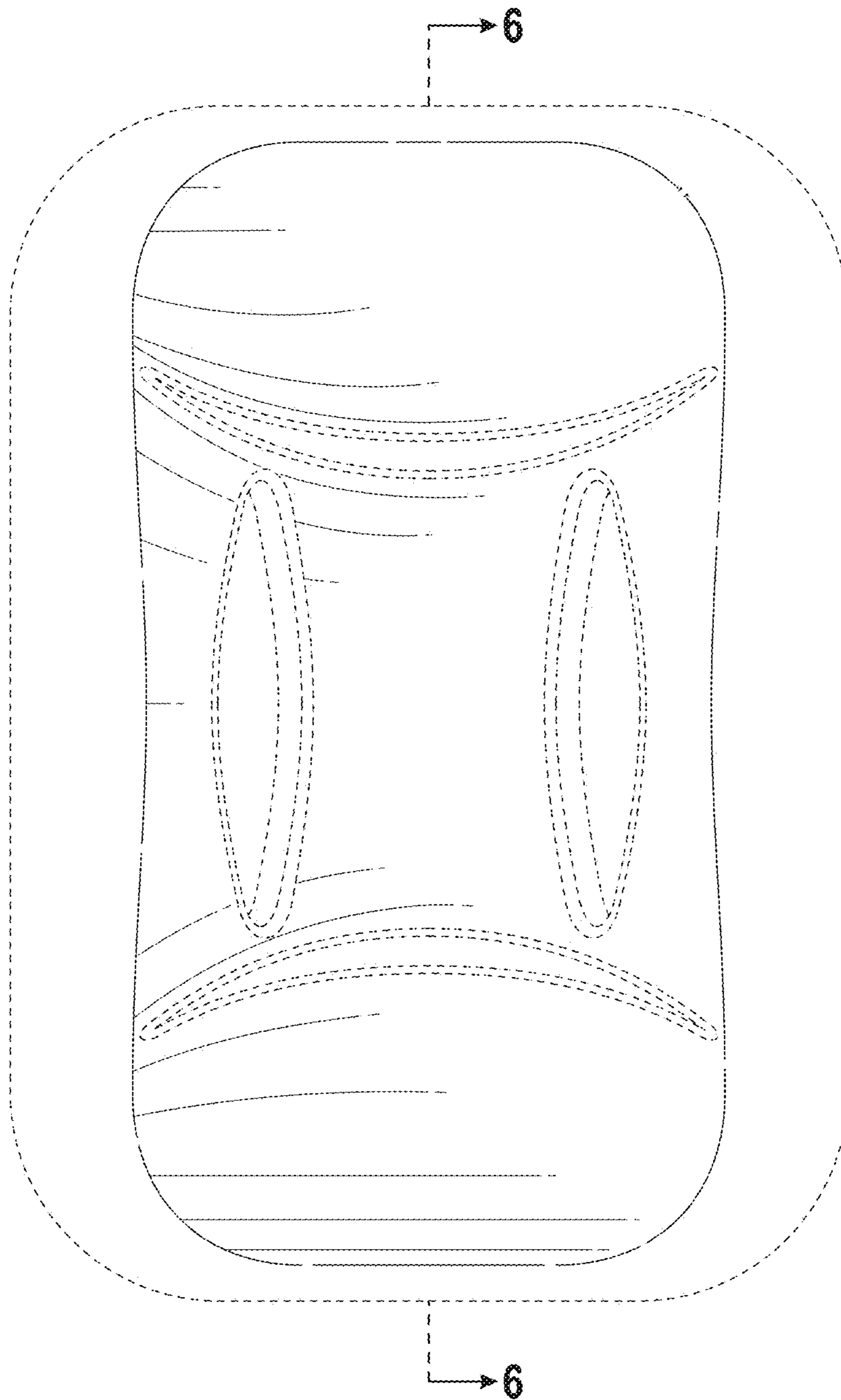


FIG. 2

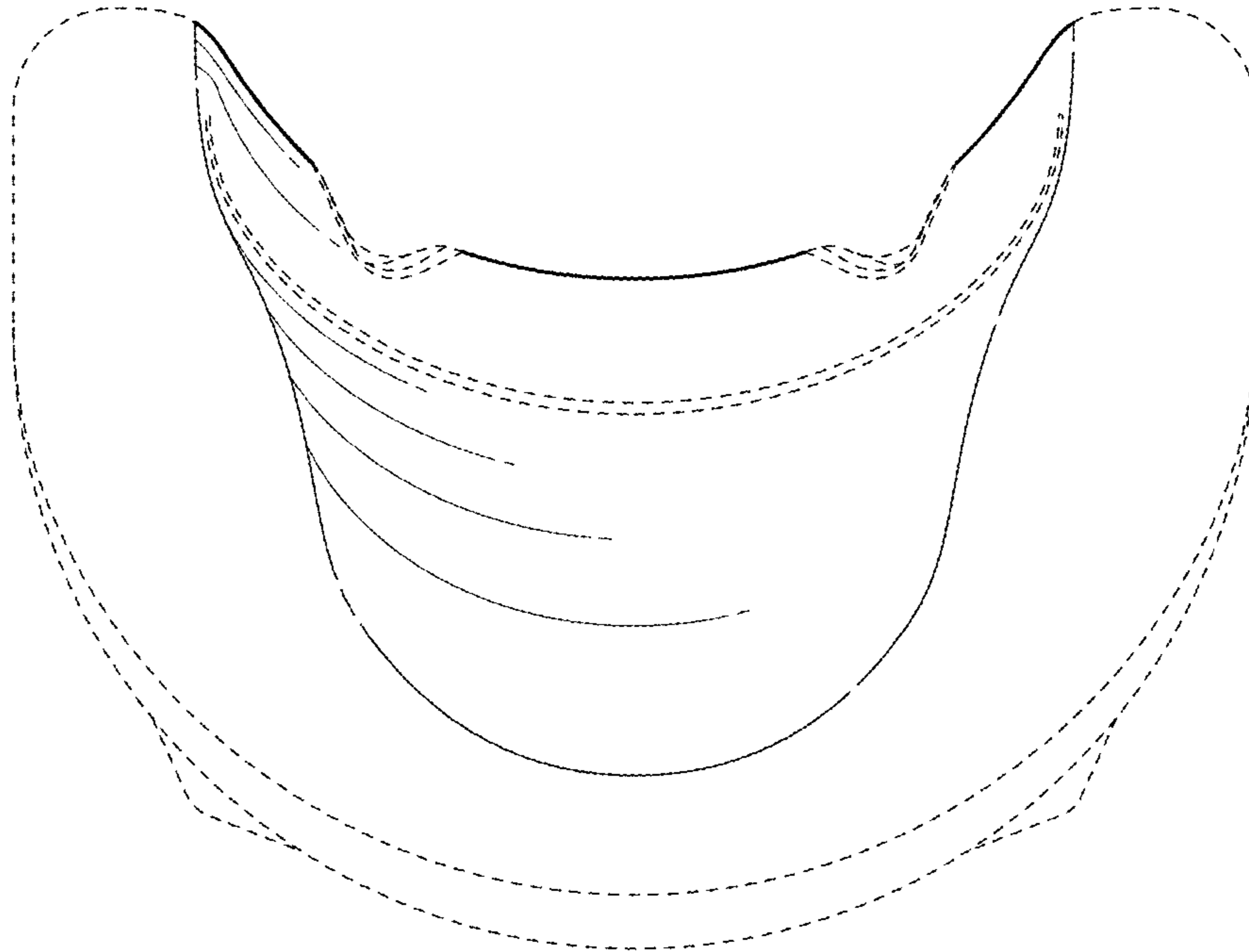


FIG. 3

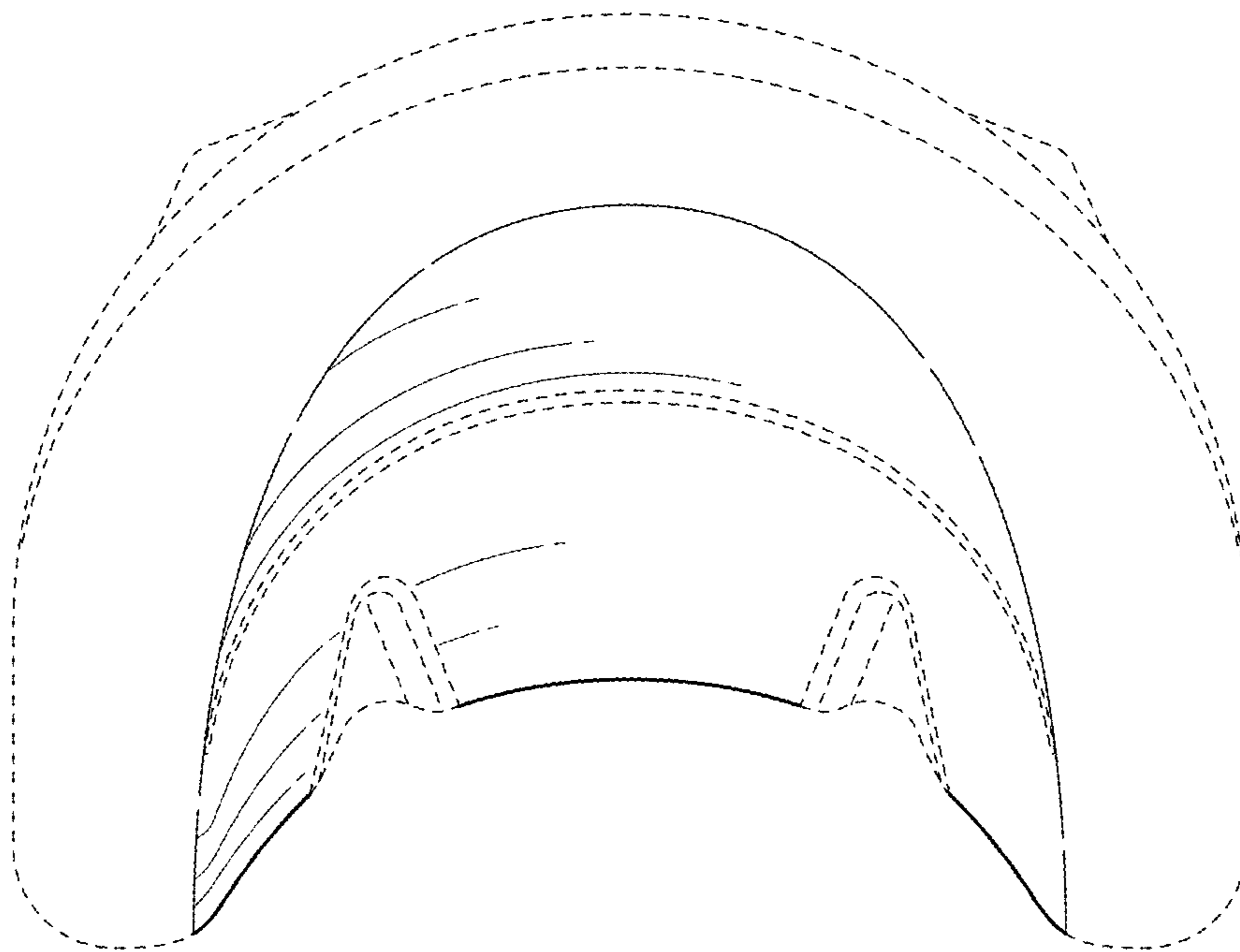


FIG. 4

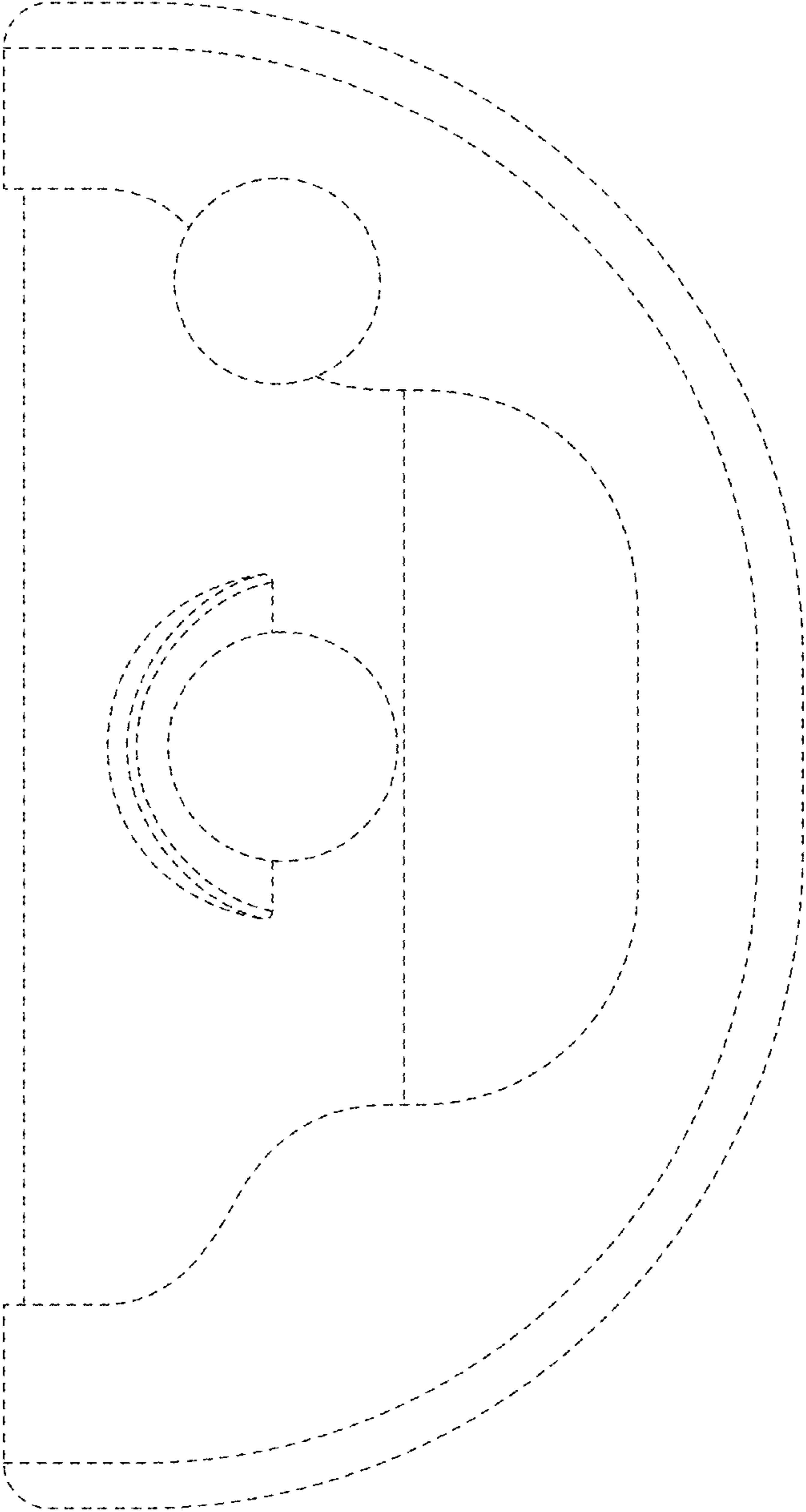


FIG. 5

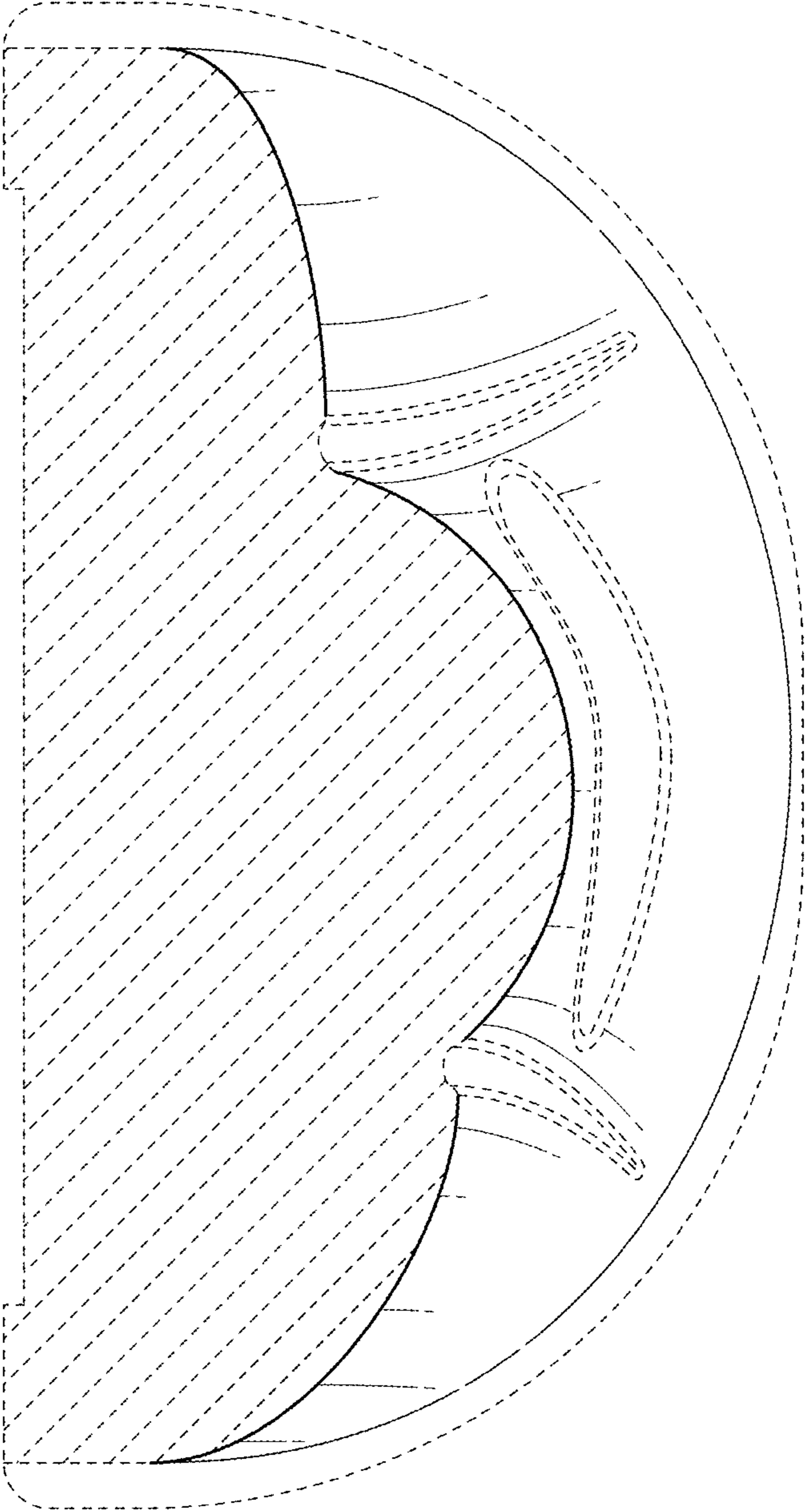


FIG. 6

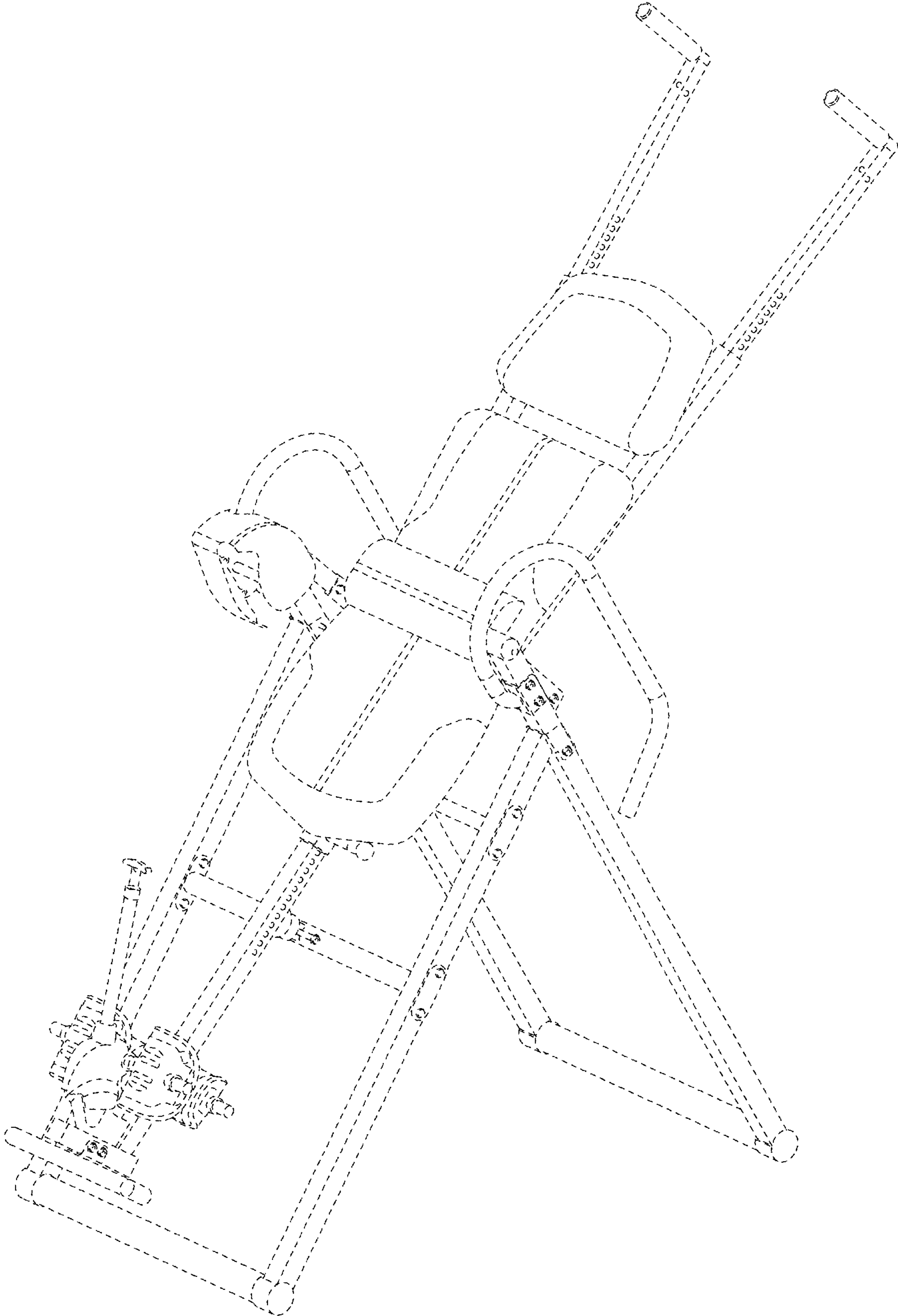


FIG. 7