

US00D925671S

(12) **United States Design Patent** (10) **Patent No.:** **US D925,671 S**
Hadlock (45) **Date of Patent:** **** Jul. 20, 2021**

(54) **TRAY FOR A STATIONARY BICYCLE**

(71) Applicant: **Russel F. Hadlock**, Yakima, WA (US)

(72) Inventor: **Russel F. Hadlock**, Yakima, WA (US)

(**) Term: **15 Years**

(21) Appl. No.: **29/710,127**

(22) Filed: **Oct. 21, 2019**

(51) **LOC (13) Cl.** **21-02**

(52) **U.S. Cl.**
USPC **D21/694**

(58) **Field of Classification Search**
USPC D21/696, 697, 666, 686, 690, 676, 662,
D21/691, 673, 797, 826, 694, 671, 685,
D21/688, 689; D14/315, 318, 323, 324,
D14/328, 338, 345, 374, 405, 432, 439,
D14/440, 451

CPC B60N 3/0051
See application file for complete search history.

(56) **References Cited**

U.S. PATENT DOCUMENTS

5,722,586	A *	3/1998	Hansen	B60N 3/004
					108/44
5,749,305	A *	5/1998	Jacovelli	B60N 3/005
					108/44
6,036,158	A *	3/2000	Raasch	B60N 3/005
					108/44
7,017,878	B2 *	3/2006	Guo	B60N 3/005
					108/42
D577,912	S *	10/2008	Sween	D3/282
8,079,312	B2 *	12/2011	Long	B60N 3/005
					108/44
D695,855	S *	12/2013	Bernard	D21/662
D703,672	S *	4/2014	Kim	D14/440
D829,720	S *	10/2018	Zhang	D14/440
10,369,935	B1 *	8/2019	Petrie	B60N 3/005
D906,336	S *	12/2020	Li	D14/440
D906,719	S *	1/2021	Sullins	D6/406.5

OTHER PUBLICATIONS

Spintray for peloton, announced 2019 [online], [site visited Jan. 6, 2021], Available from internet, URL: https://www.amazon.com/Spintray-for-Peloton/dp/B07VRX48Q1/ref=sr_1_9?dchild=1&keywords=HUSTLE+TRAY&qid=1609978449&sr=8-9 (Year: 2019).*

AutoExec-wheelmate, announced 2003 [online], [site visited Jan. 6, 2021], Available from internet, URL: https://www.amazon.com/AutoExec-Wheelmate-Steering-Attachable-Surface/dp/B00PXX3FYC/ref=sr_1_25?dchild=1&keywords=steering%2Bwheel%2Btray&qid=1609978969&sr=8-25&th=1 (Year: 2003).*

* cited by examiner

Primary Examiner — Khawaja Anwar

Assistant Examiner — Julice Seung Eun Oum

(74) *Attorney, Agent, or Firm* — Svendsen Legal, LLC

(57) **CLAIM**

The ornamental design for a tray for a stationary bicycle, as shown and described.

DESCRIPTION

FIG. 1 is an isometric view of a tray for a stationary bicycle, showing my new design as mounted upon a stationary bicycle;

FIG. 2 is a top view of a tray for a stationary bicycle, showing my new design;

FIG. 3 is a front end view thereof;

FIG. 4 is a left side view thereof;

FIG. 5 is a right side view thereof;

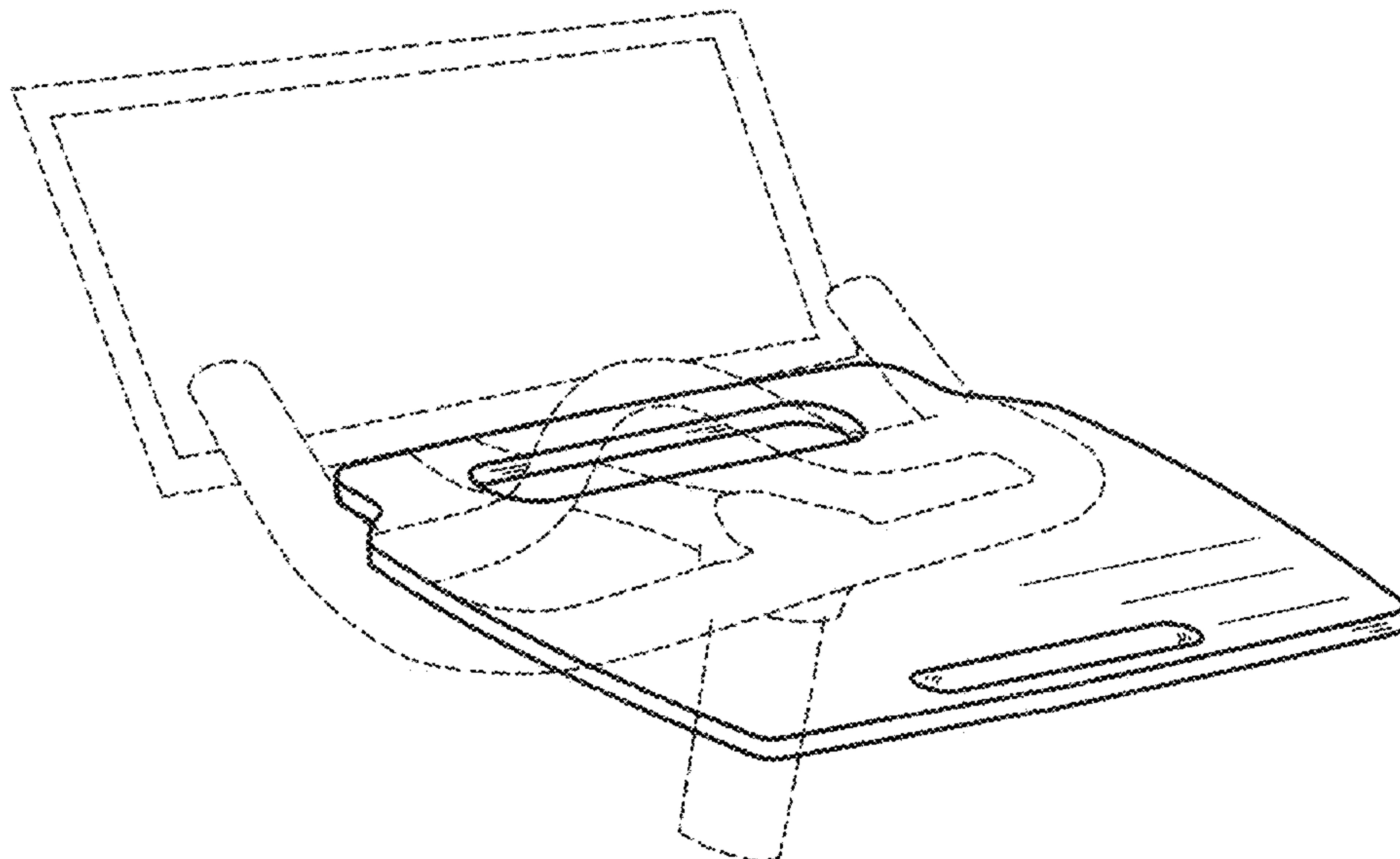
FIG. 6 is a rear end view thereof;

FIG. 7 is a bottom view thereof; and,

FIG. 8 is an isometric view thereof.

The broken lines in FIG. 1 are included for the purpose of illustrating the invention in use, and form no part of the claimed design.

1 Claim, 5 Drawing Sheets



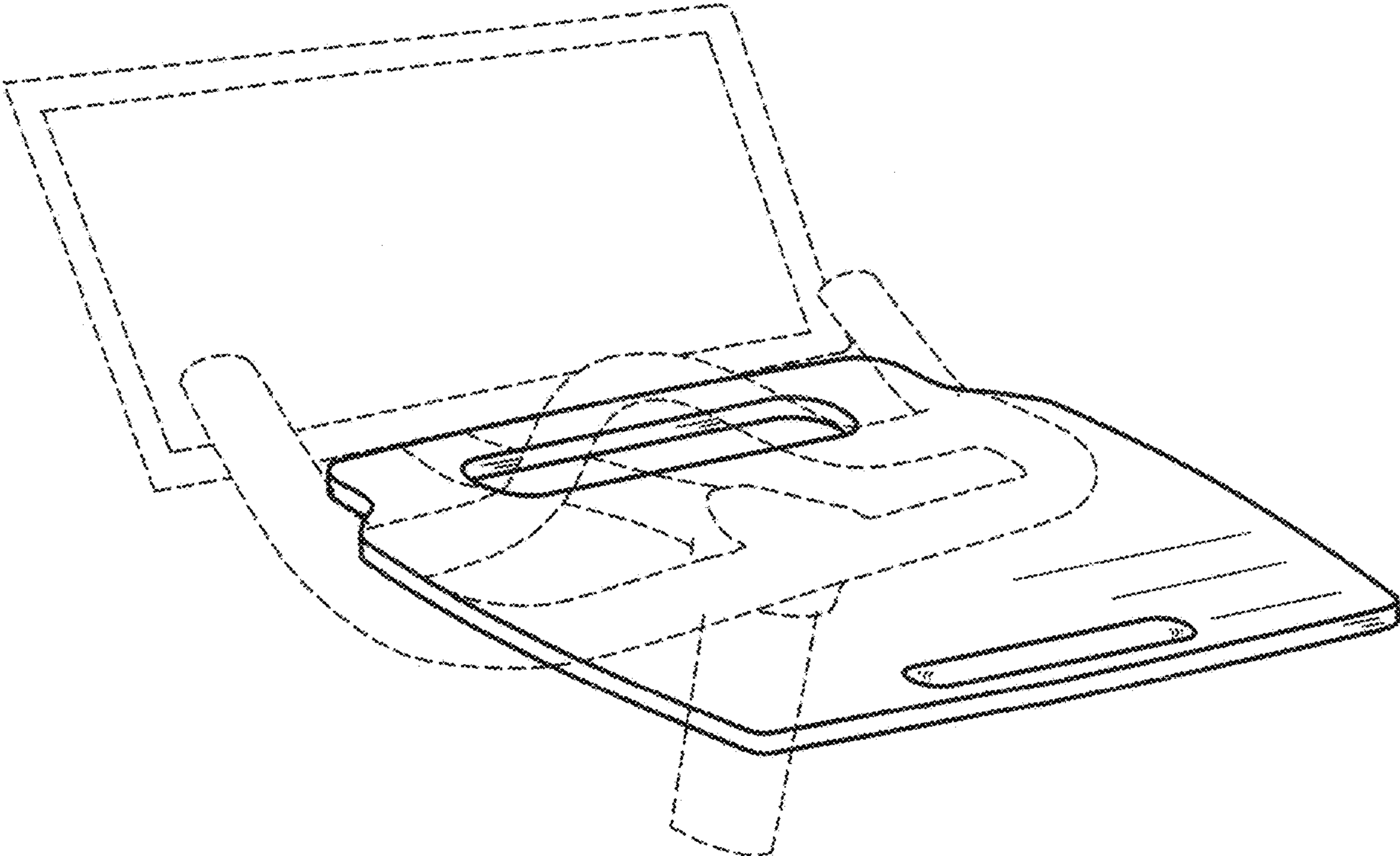


FIG. 1

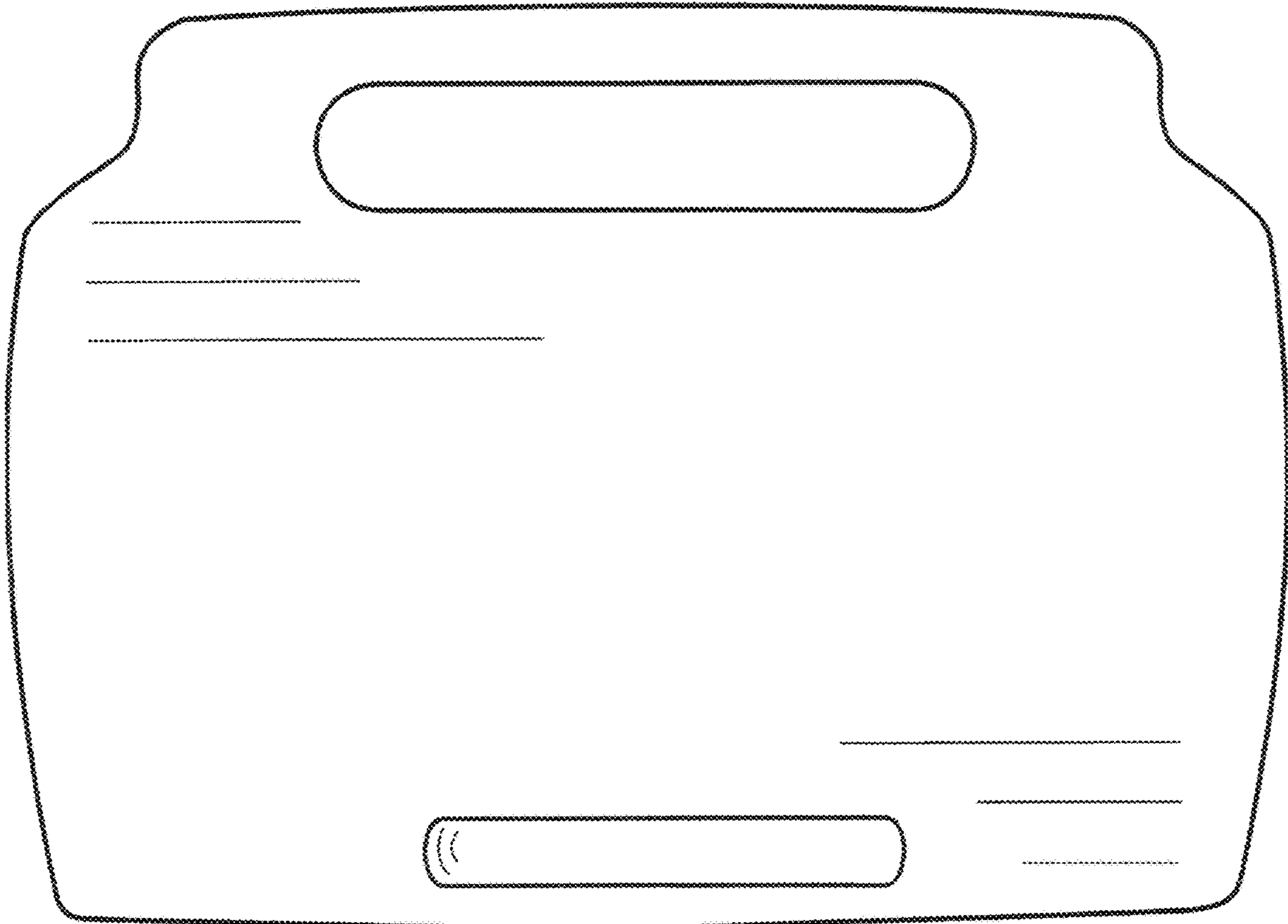


FIG. 2



FIG. 3

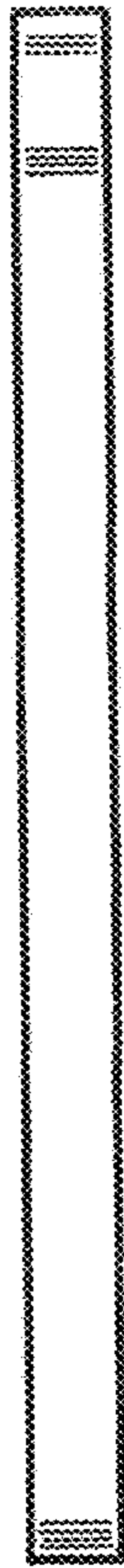


FIG. 4



FIG. 5

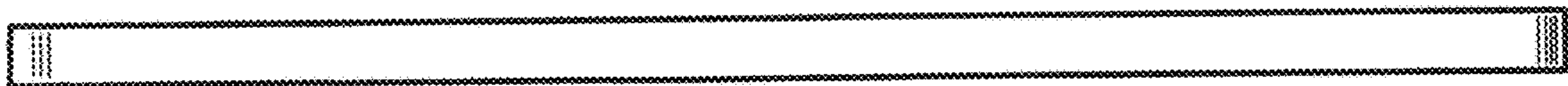
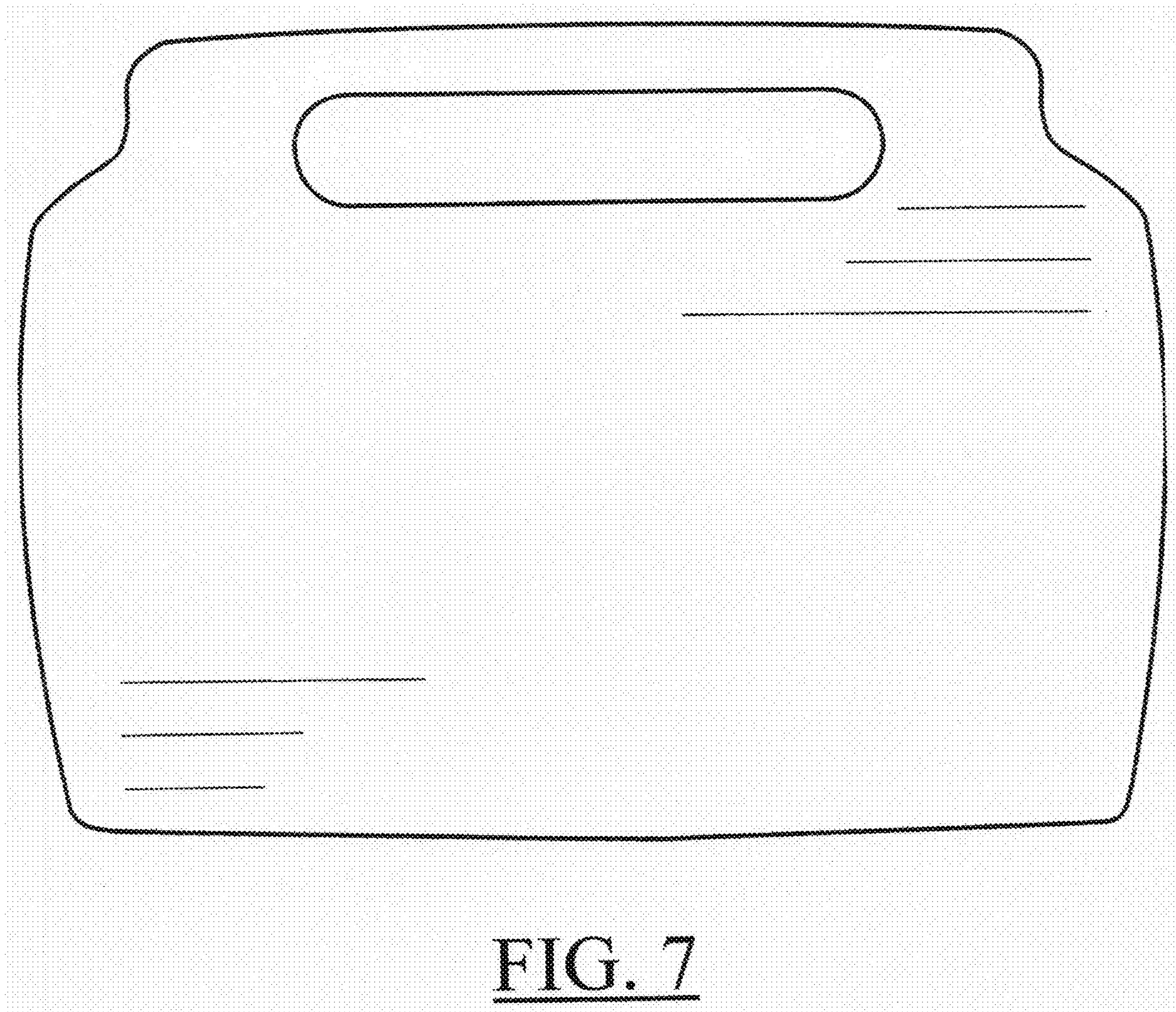


FIG. 6



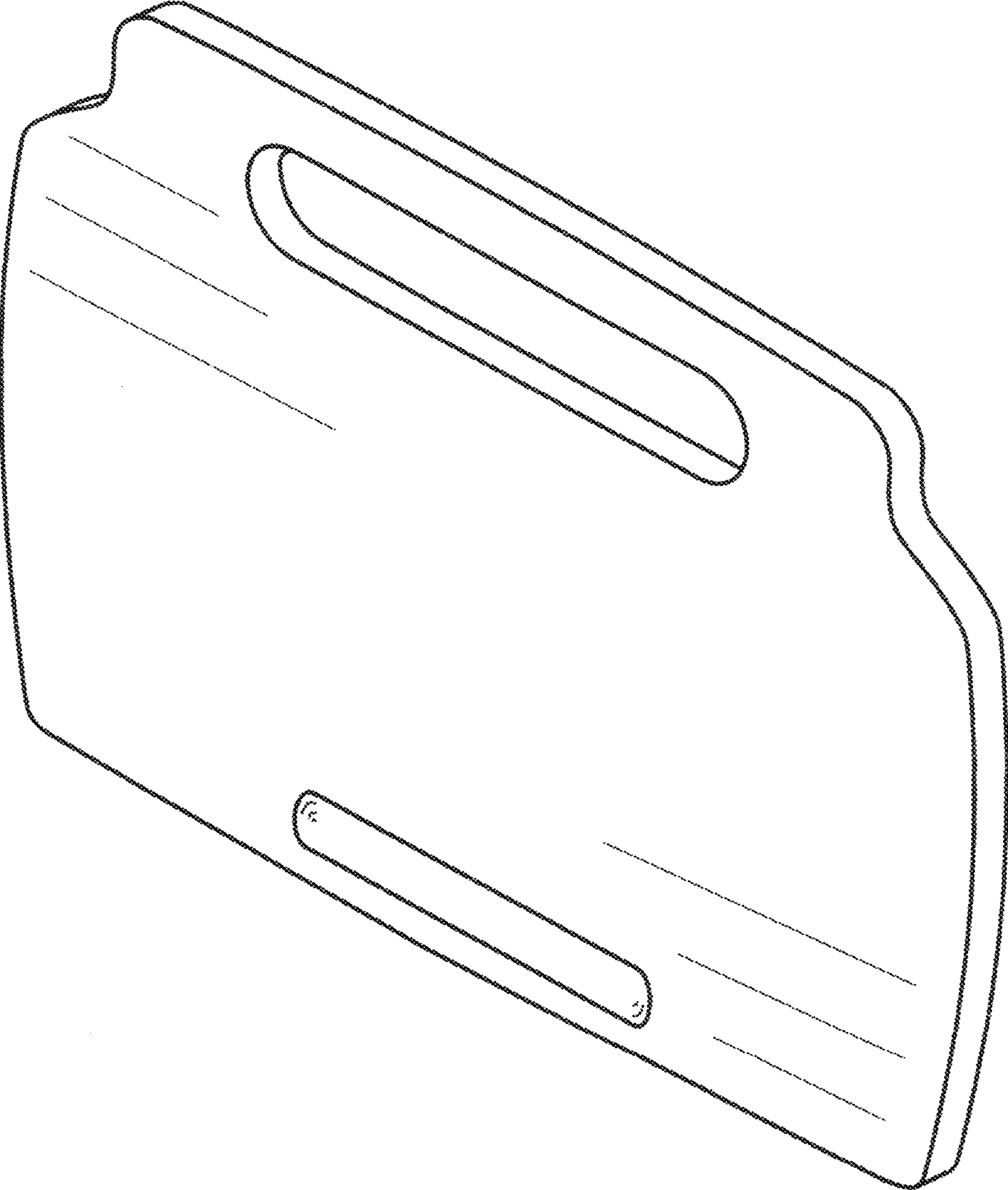


FIG. 8