



US00D925670S

(12) **United States Design Patent**  
**Lee**

(10) **Patent No.:** **US D925,670 S**  
(45) **Date of Patent:** **\*\* Jul. 20, 2021**

(54) **WHOLE BODY EXERCISE DEVICE**

(71) Applicant: **Myung Soo Lee**, Seoul (KR)

(72) Inventor: **Myung Soo Lee**, Seoul (KR)

(\*\*) Term: **15 Years**

(21) Appl. No.: **35/509,559**

(22) Filed: **Sep. 5, 2019**

(80) **Hague Agreement Data**

Int. Filing Date: **Sep. 5, 2019**

Int. Reg. No.: **DM/208520**

Int. Reg. Date: **Sep. 5, 2019**

Int. Reg. Pub. Date: **Jun. 12, 2020**

(51) **LOC (13) Cl.** ..... **21-02**

(52) **U.S. Cl.**

USPC ..... **D21/691; D21/797**

(58) **Field of Classification Search**

USPC ..... D21/686, 691, 797

CPC .... A63B 26/003; A63B 2026/006; A63B 4/00

See application file for complete search history.

(56) **References Cited**

**U.S. PATENT DOCUMENTS**

- 826,609 A \* 7/1906 Reach ..... A63B 5/12  
482/25
- 2,817,347 A \* 12/1957 Hilt ..... A61H 3/00  
135/65
- D314,219 S \* 1/1991 Lo ..... D21/670
- D355,005 S \* 1/1995 Voohanel, Jr. .... A63B 5/12  
D21/691

6,168,549 B1 \* 1/2001 Squibb ..... A63B 4/00  
482/34

D536,753 S \* 2/2007 Rongo ..... D21/685

D566,800 S \* 4/2008 St. Jules ..... D21/691

D605,721 S \* 12/2009 Simpson ..... D21/797

D619,669 S \* 7/2010 Mesirow ..... A61H 3/00  
D21/797

D666,684 S \* 9/2012 Meininger ..... A63B 71/023  
D21/662

D913,385 S \* 3/2021 Trenkle ..... A63B 4/00  
D21/686

2009/0093343 A1 \* 4/2009 Gallus ..... A63B 4/00  
482/34

2020/0078627 A1 \* 3/2020 Landsman ..... A63B 71/023

**FOREIGN PATENT DOCUMENTS**

KR 301086359.0000 \* 4/2020

\* cited by examiner

*Primary Examiner* — George D. Kirschbaum

*Assistant Examiner* — Joseph J Kukella

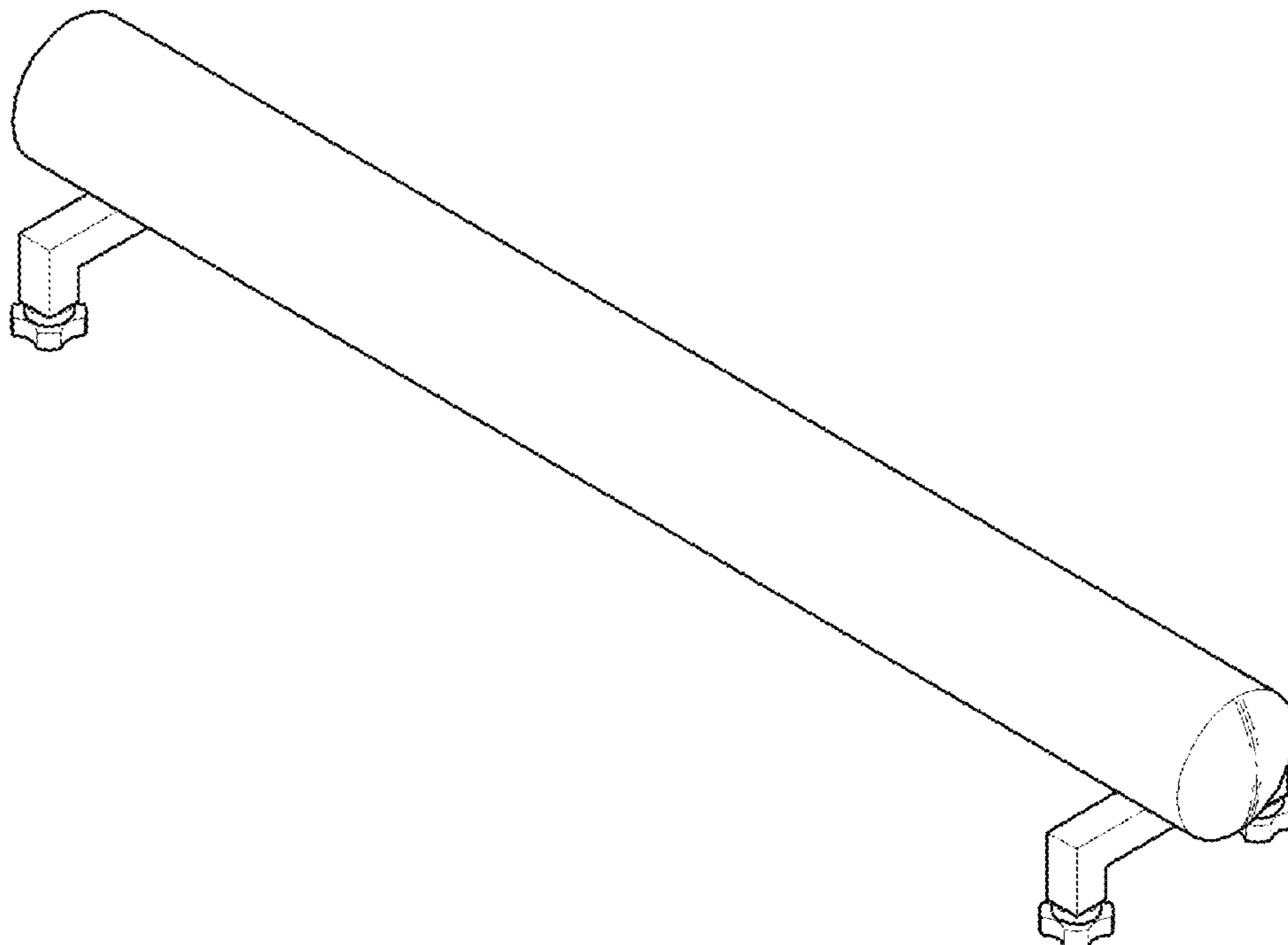
(57) **CLAIM**

The ornamental design for a whole body exercise device, as shown and described.

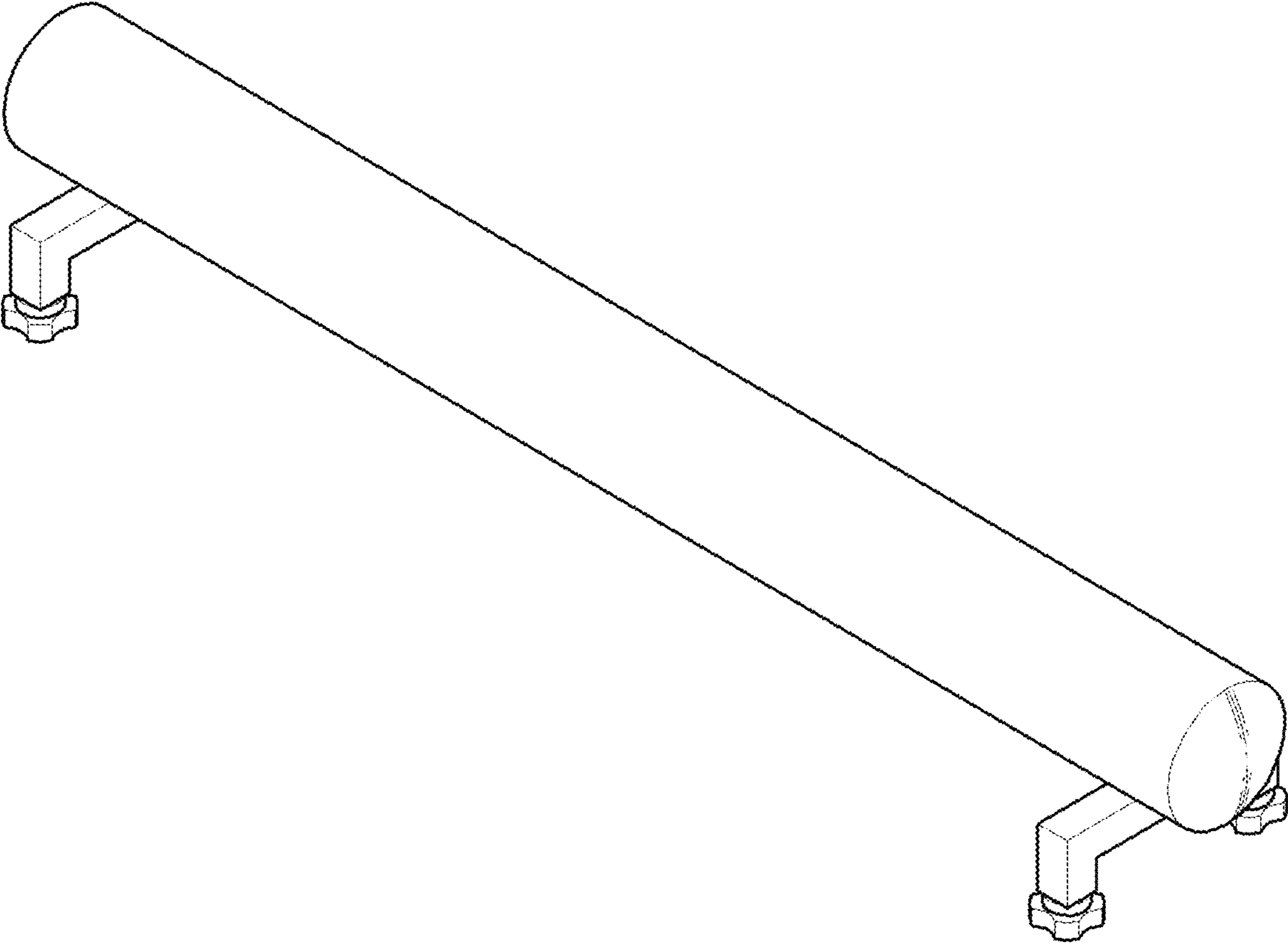
**DESCRIPTION**

- 1. Whole body exercise device
- 1.1 : Perspective
- 1.2 : Front
- 1.3 : Back
- 1.4 : Left
- 1.5 : Right
- 1.6 : Top
- 1.7 : Bottom

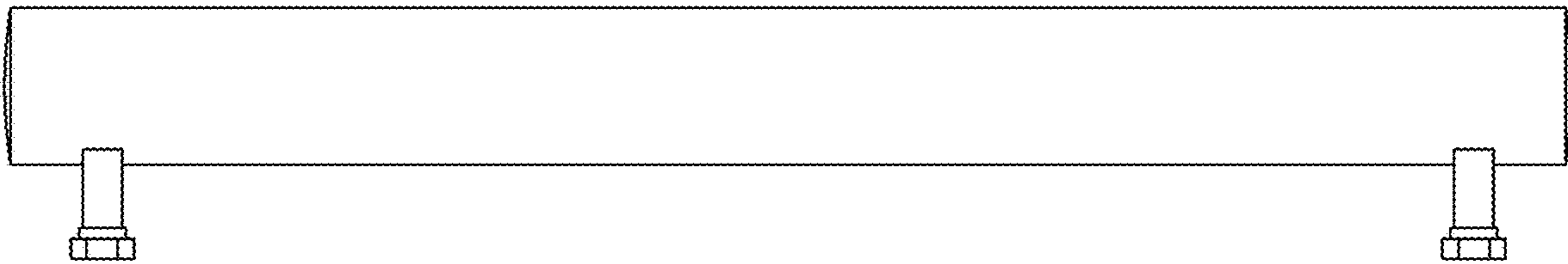
**1 Claim, 7 Drawing Sheets**



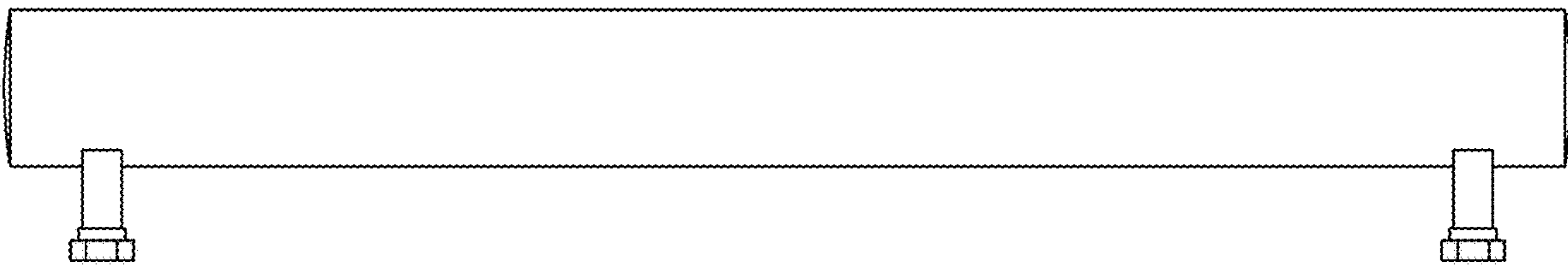
1.1

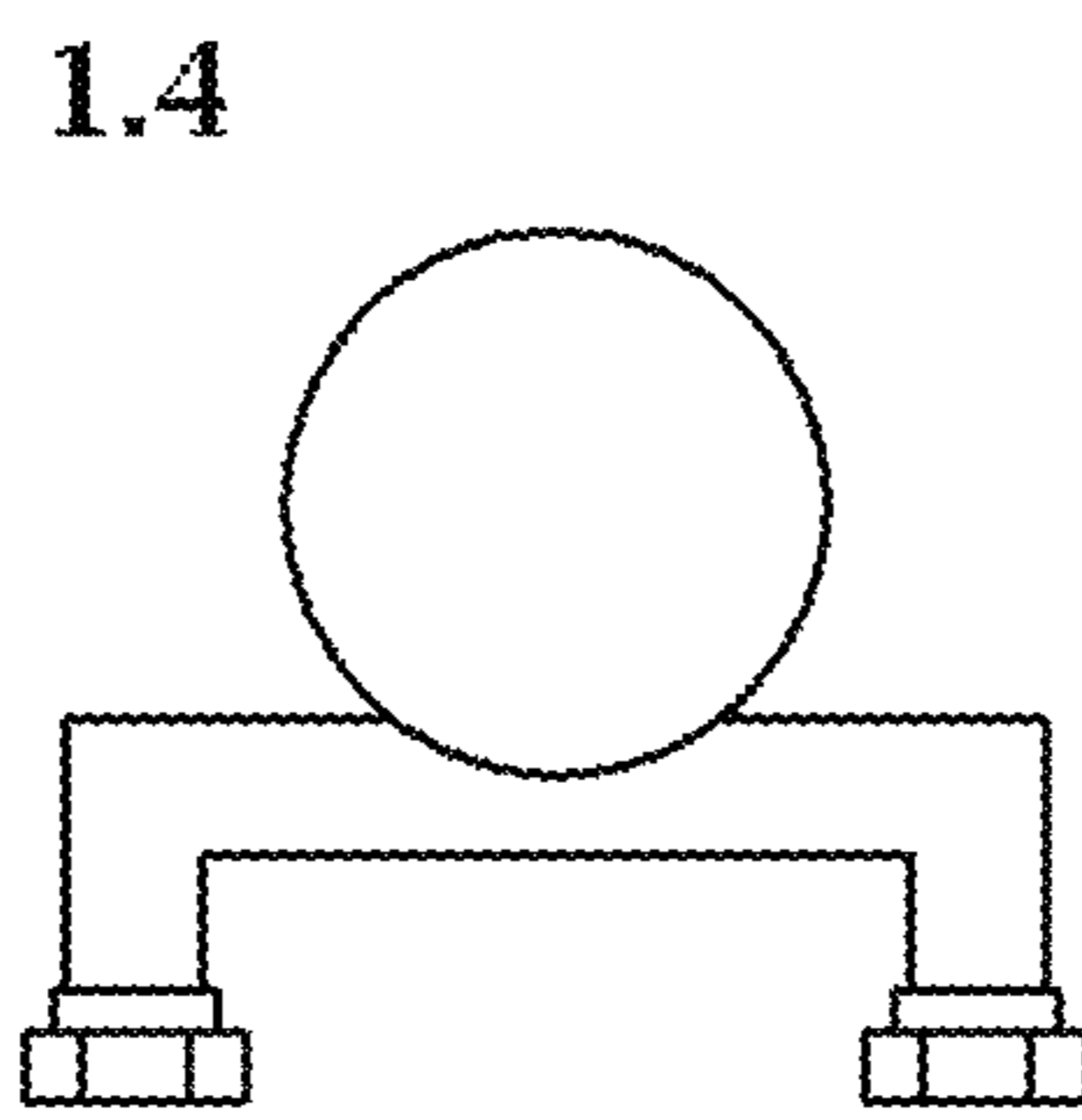


1.2

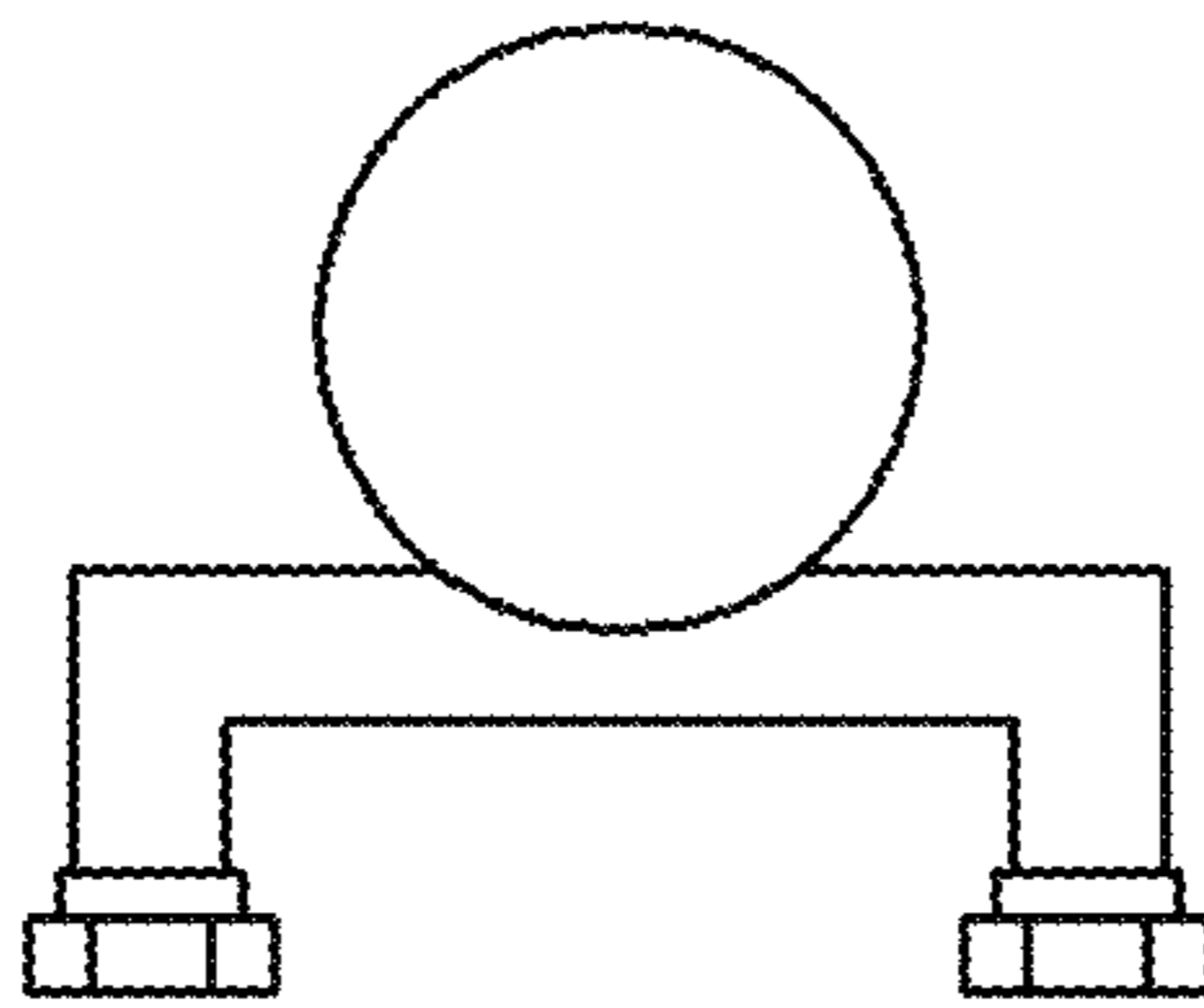


1.3

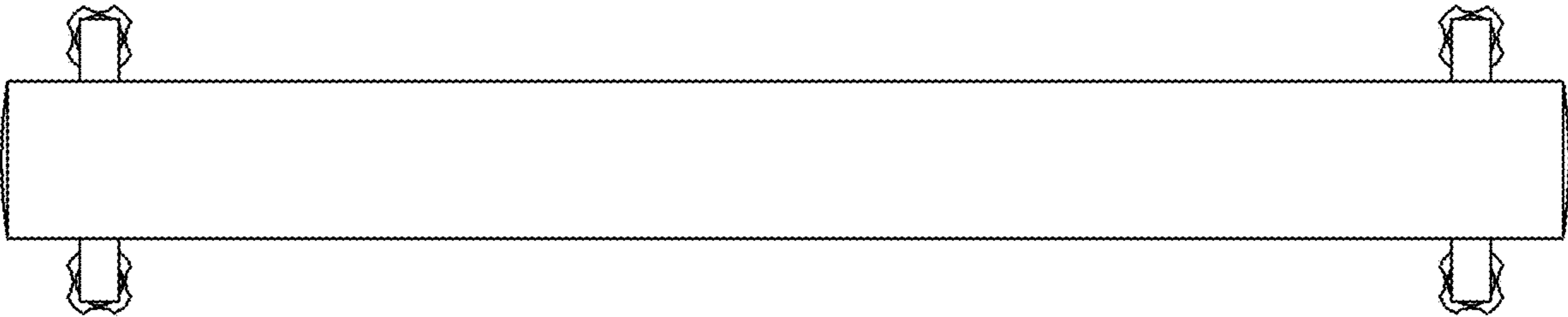




1.5



1.6



1.7

