

US00D925669S

(12) **United States Design Patent** (10) **Patent No.:** **US D925,669 S**
Richardson (45) **Date of Patent:** **** Jul. 20, 2021**

(54) **BODYBUILDING HAMMER**
(71) Applicant: **Shawn Richardson**, Decatur, GA (US)
(72) Inventor: **Shawn Richardson**, Decatur, GA (US)
(**) Term: **15 Years**
(21) Appl. No.: **29/684,479**
(22) Filed: **Mar. 21, 2019**

7,553,239 B2 6/2009 Pullaro
D649,246 S * 11/2011 Prichett D24/142
D651,886 S * 1/2012 Clement D8/77
D652,703 S * 1/2012 Onello D8/77
D653,094 S * 1/2012 Onello D8/77
D653,095 S * 1/2012 Onello D8/77
8,529,365 B1 9/2013 Davis
(Continued)

Related U.S. Application Data

(63) Continuation-in-part of application No. 15/667,132, filed on Aug. 2, 2017, now abandoned.
(51) **LOC (13) Cl.** **21-02**
(52) **U.S. Cl.**
USPC **D21/680**
(58) **Field of Classification Search**
USPC D21/680; D8/1, 11, 14, 75-81, 105, 107, D8/303
CPC A63B 15/00; A63B 21/072; B25D 1/00
See application file for complete search history.

OTHER PUBLICATIONS

Youtube, "Lesson 4 Warm Up Part 2", Jun. 25, 2017. <https://www.youtube.com/watch?v=T06rZwvdJAA>. Shown at the 00:29 minute mark. (Year: 2017).*

(Continued)

Primary Examiner — Cynthia Ramirez
Assistant Examiner — Michael A Maharajh
(74) *Attorney, Agent, or Firm* — Boudwin Intellectual Property; Daniel Boudwin

(57) **CLAIM**

The ornamental design for a body building hammer, as shown and described.

DESCRIPTION

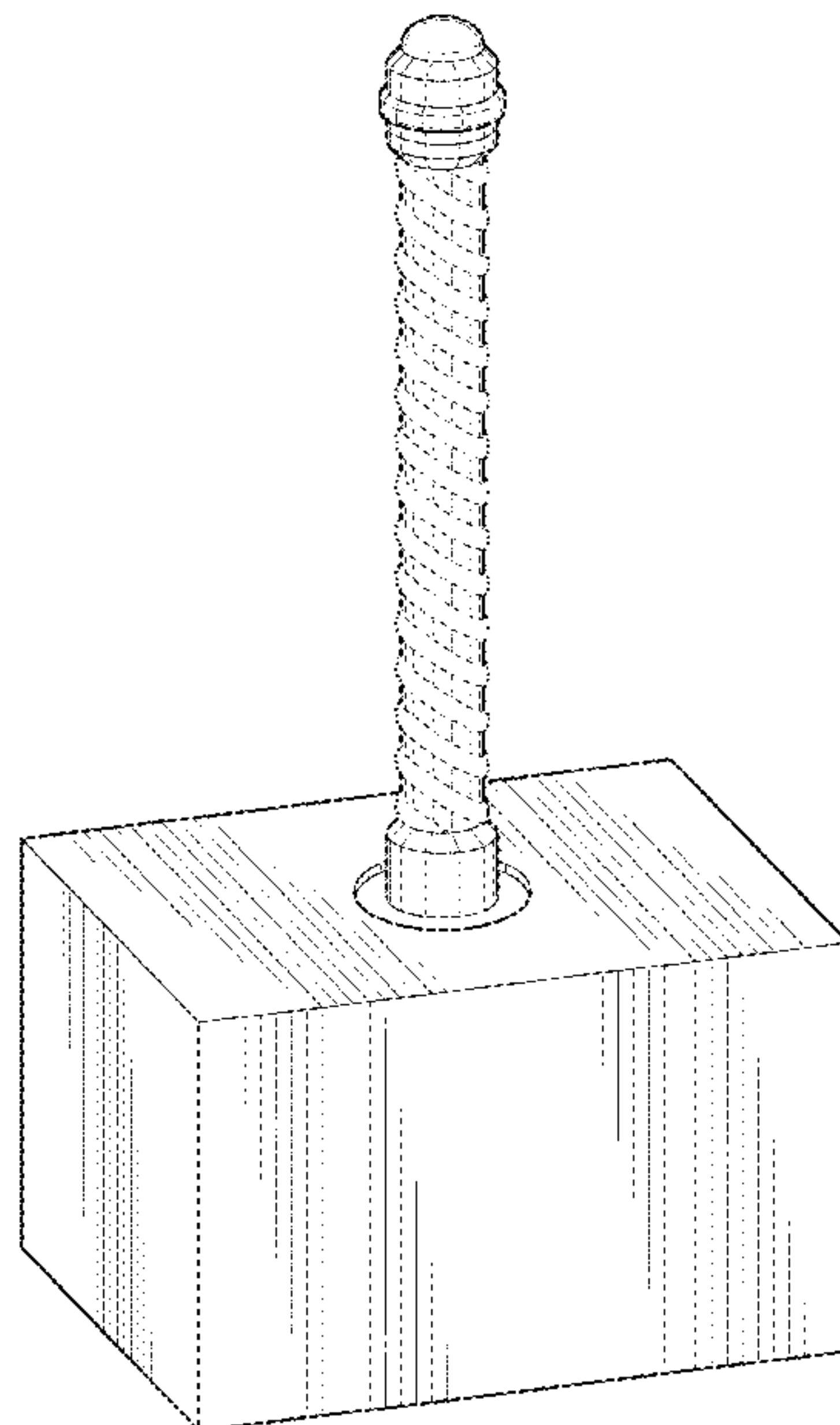
FIG. 1 shows a perspective view of a body building hammer. FIG. 2 shows a front view of the body building hammer. FIG. 3 shows a rear view of the body building hammer. FIG. 4 shows a right side view of the body building hammer. FIG. 5 shows a left side view of the body building hammer. FIG. 6 shows a top plan view of the body building hammer; and, FIG. 7 shows a bottom plan view of the body building hammer. The broken lines in the drawings are for the purpose of illustrating portions of a bodybuilding hammer which form no part of the claimed design.

(56) **References Cited**

U.S. PATENT DOCUMENTS

3,743,297 A 7/1973 Dennis
4,172,483 A 10/1979 Bereskin
4,302,008 A 11/1981 Lard
4,819,921 A 4/1989 Takahashi
D367,416 S * 2/1996 Gustafson D8/107
5,537,896 A * 7/1996 Halder B25D 1/00
81/22
D388,303 S * 12/1997 Berggren D8/75
D428,461 S 7/2000 Koszalinski
6,314,617 B1 11/2001 Hastings
D530,582 S * 10/2006 Sleiman D8/77
7,285,080 B1 10/2007 Chiu
D573,670 S 7/2008 Mullins
D574,690 S * 8/2008 Chen D8/77

1 Claim, 5 Drawing Sheets



(56)

References Cited

U.S. PATENT DOCUMENTS

D696,736 S * 12/2013 Preston D21/680
 D770,257 S * 11/2016 Stokes D8/75
 D808,761 S * 1/2018 Nelson D8/77
 10,016,647 B1 7/2018 Perez
 D826,677 S * 8/2018 Nelson D8/77
 D826,678 S * 8/2018 Nelson D8/77
 D833,245 S * 11/2018 Sung D8/77
 D837,018 S * 1/2019 Goldiner D8/77
 D888,525 S * 6/2020 Montoli D8/77
 RE48,180 E * 9/2020 Stokes B25D 1/00
 D8/75
 D904,606 S * 12/2020 Gloess D24/133
 2001/0001094 A1 5/2001 Panes
 2003/0134109 A1 7/2003 Chen et al.
 2003/0163896 A1 9/2003 Rabello
 2003/0215629 A1 11/2003 Chen
 2004/0009826 A1 1/2004 Aisenberg
 2004/0142777 A1 7/2004 Chen et al.
 2012/0149539 A1 6/2012 Quader

2012/0297931 A1* 11/2012 Rivard B25D 1/00
 81/20
 2013/0267394 A1 10/2013 Duke
 2014/0051554 A1 2/2014 Walker
 2014/0057763 A1 2/2014 Fritsch
 2014/0213422 A1 7/2014 Marcus
 2014/0309081 A1 10/2014 Gavigan
 2015/0045192 A1 2/2015 Weck et al.
 2015/0148202 A1 5/2015 Henry et al.
 2016/0089586 A1 3/2016 Sawyer et al.
 2016/0096057 A1 4/2016 Gavigan
 2016/0184679 A1 6/2016 Bramhall et al.
 2018/0036576 A1* 2/2018 Richardson A63B 21/4043

OTHER PUBLICATIONS

Bamfhammer, "BAMF Hammer", Jan. 6, 2020. <https://bamfhammer.com/> Shown on p. 1. (Year: 2020).*
 Facebook, "BAMF Hammer_facebook", Dec. 27, 2017. <https://www.facebook.com/BAMFHammer/photos/a.1100683346688337/1561234740633193/?type=3&theater>. Shown on p. 1. (Year: 2017).*

* cited by examiner

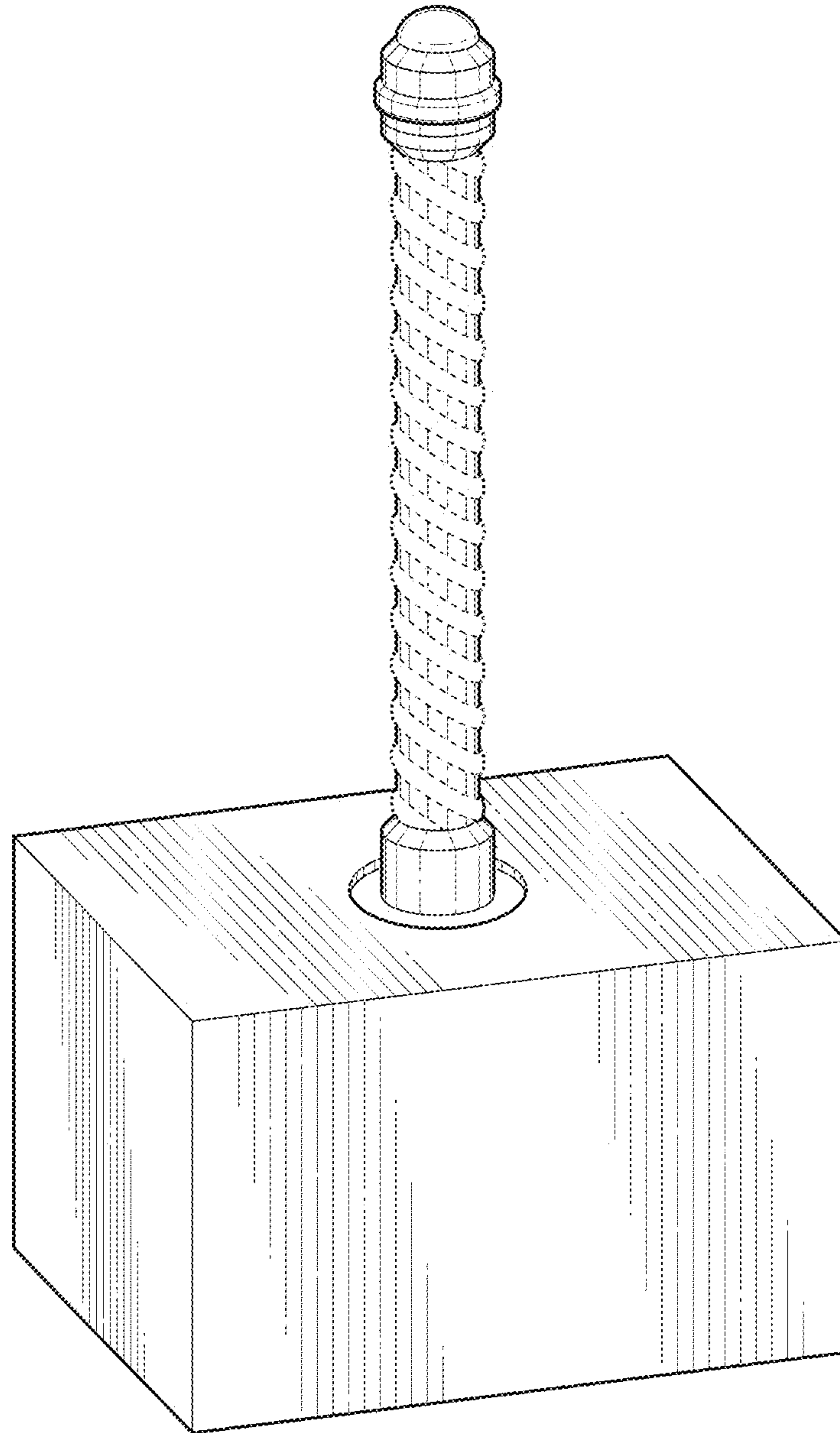


FIG. 1

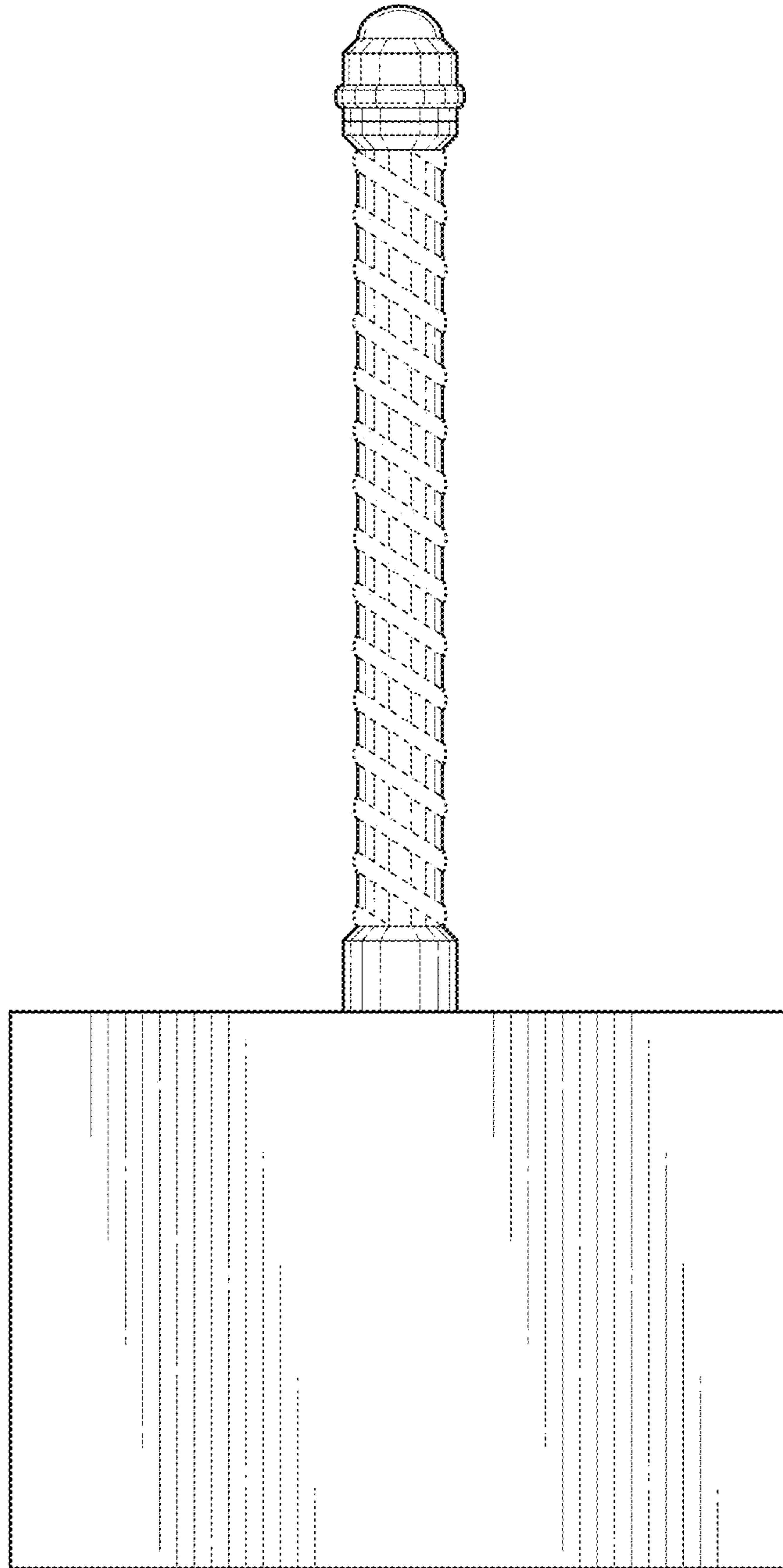


FIG. 2

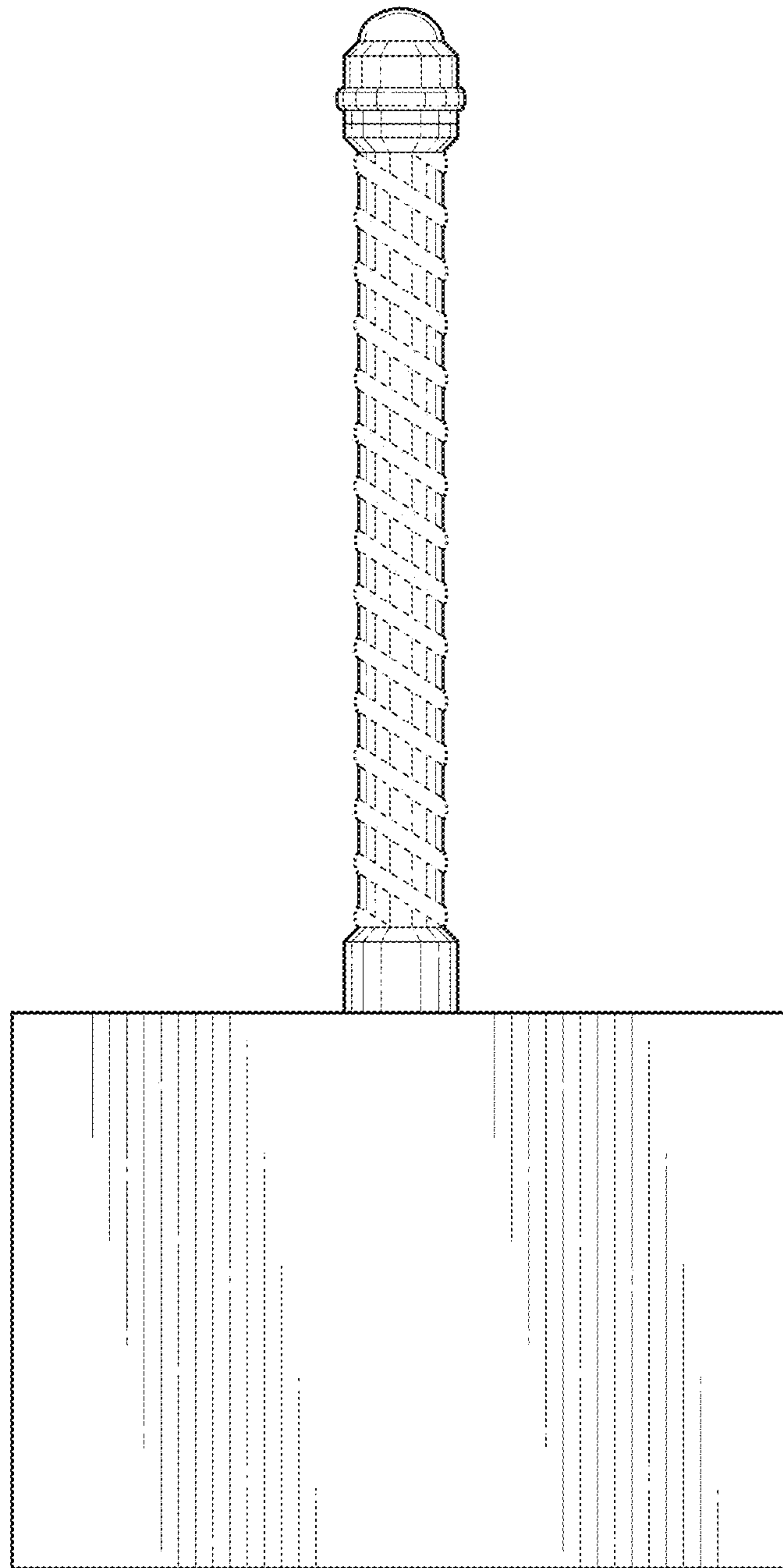


FIG. 3

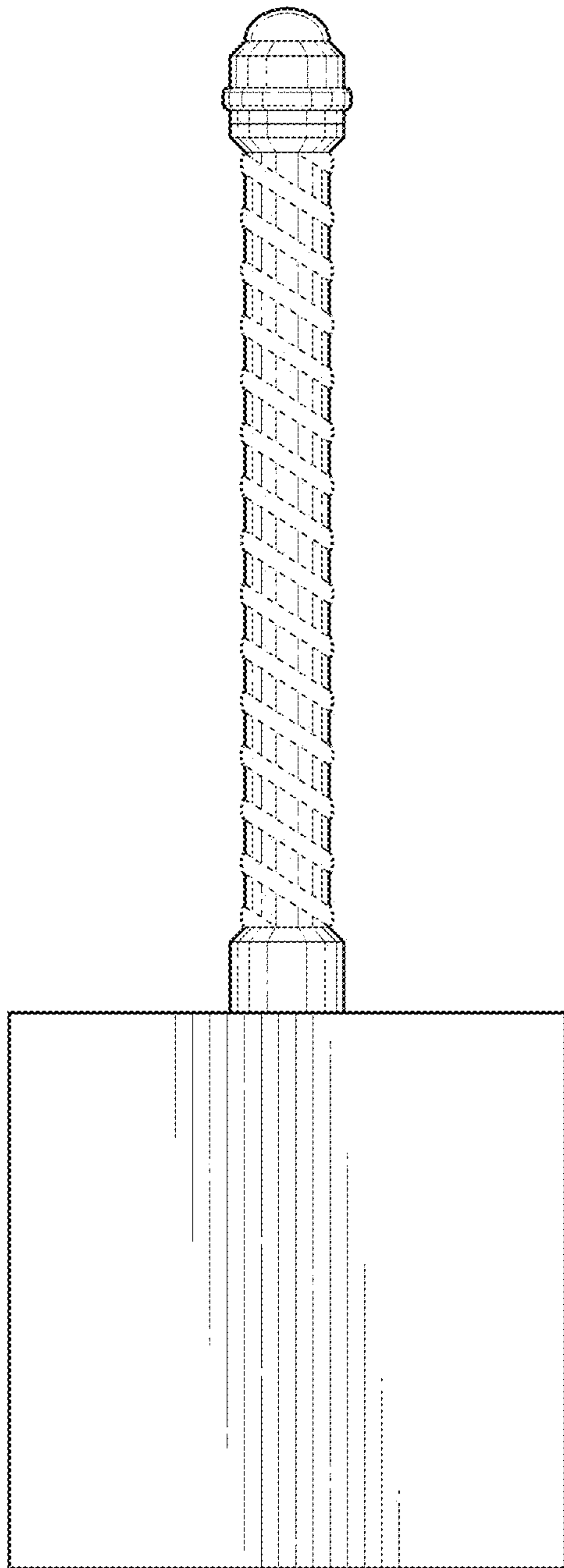


FIG. 4

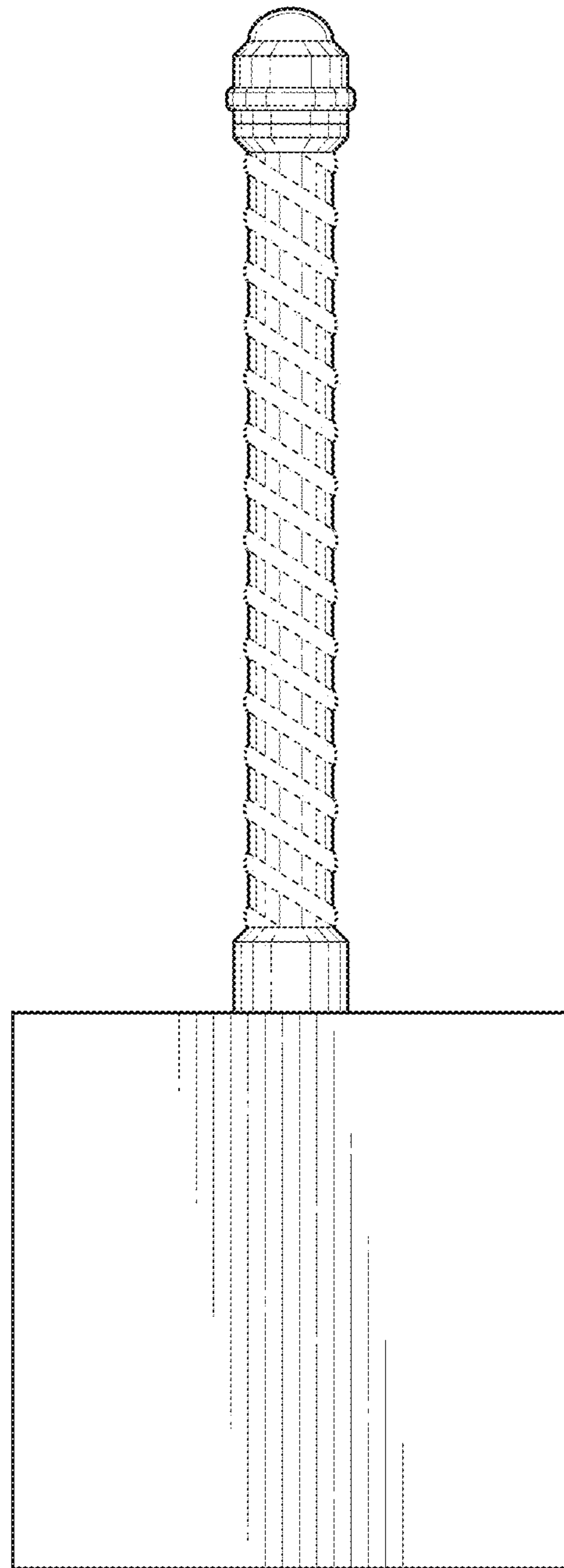


FIG. 5

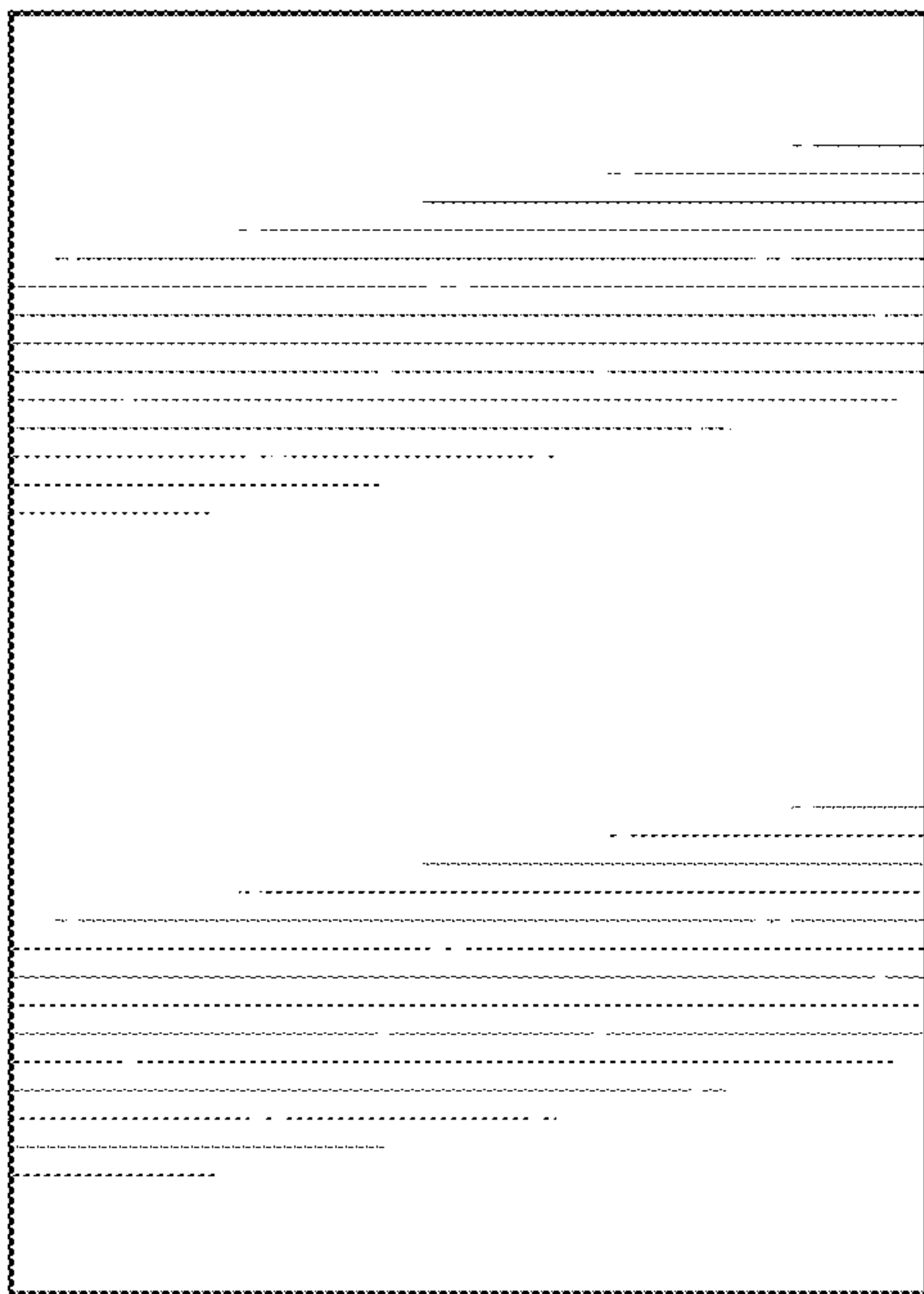


FIG. 6

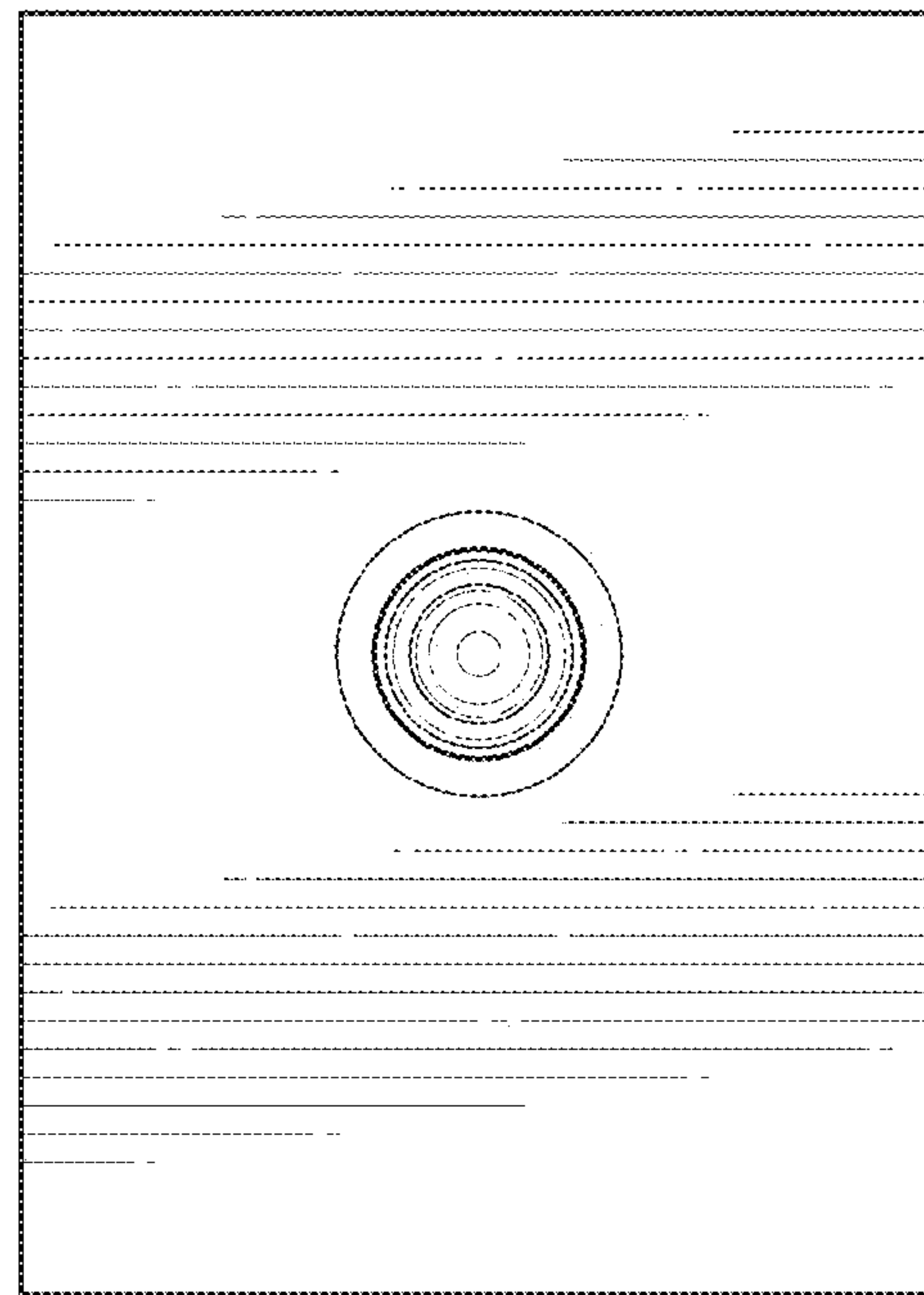


FIG. 7