



US00D925666S

(12) **United States Design Patent** (10) **Patent No.:** **US D925,666 S**
Jaquish et al. (45) **Date of Patent:** **** Jul. 20, 2021**

(54) **EXERCISE APPARATUS**

D263,327 S 3/1982 Cooper
4,441,707 A 4/1984 Bosch
D287,283 S * 12/1986 Johnson E04F 11/0201
182/228.1

(71) Applicant: **Jaquish Biomedical Corporation**,
Nevada City, CA (US)

(Continued)

(72) Inventors: **John Paul Jaquish**, Nevada City, CA
(US); **Paul Edward Jaquish**, Nevada
City, CA (US); **Henry David Alkire**,
Nevada City, CA (US)

FOREIGN PATENT DOCUMENTS

EP 2764896 A1 8/2014
KR 10200000 5/2000

(73) Assignee: **Jaquish Biomedical Corporation**,
Nevada City, CA (US)

OTHER PUBLICATIONS

Youtube, "Introducing the GHAccelerator", Nov. 12, 2018. <https://www.youtube.com/watch?v=IL-CahGcpOI>. Shown at the 2:00 minute mark. (Year: 2018).*

(Continued)

(**) Term: **15 Years**

(21) Appl. No.: **29/730,876**

(22) Filed: **Apr. 9, 2020**

Primary Examiner — Cynthia Ramirez
Assistant Examiner — Michael A Maharajh
(74) *Attorney, Agent, or Firm* — Morgan, Lewis &
Bockius LLP

Related U.S. Application Data

(63) Continuation of application No. 29/681,204, filed on
Feb. 22, 2019, now Pat. No. Des. 914,113.

(51) **LOC (13) Cl.** **21-02**

(52) **U.S. Cl.**
USPC **D21/679**

(58) **Field of Classification Search**
USPC D25/65; D21/675, 676, 679, 673, 674,
D21/681, 686, 687, 690, 668, 688, 685,
D21/689, 670, 671; D6/350
CPC A63B 21/4033; A63B 2071/027; A63B
23/0458

See application file for complete search history.

(56) **References Cited**

U.S. PATENT DOCUMENTS

1,019,861 A 3/1912 Titus
3,117,781 A 1/1964 Vargo
3,193,288 A 7/1965 Vell
4,200,281 A 4/1980 Wang
4,257,592 A 3/1981 Jones

(57) **CLAIM**

The ornamental design for an exercise apparatus, as shown
and described.

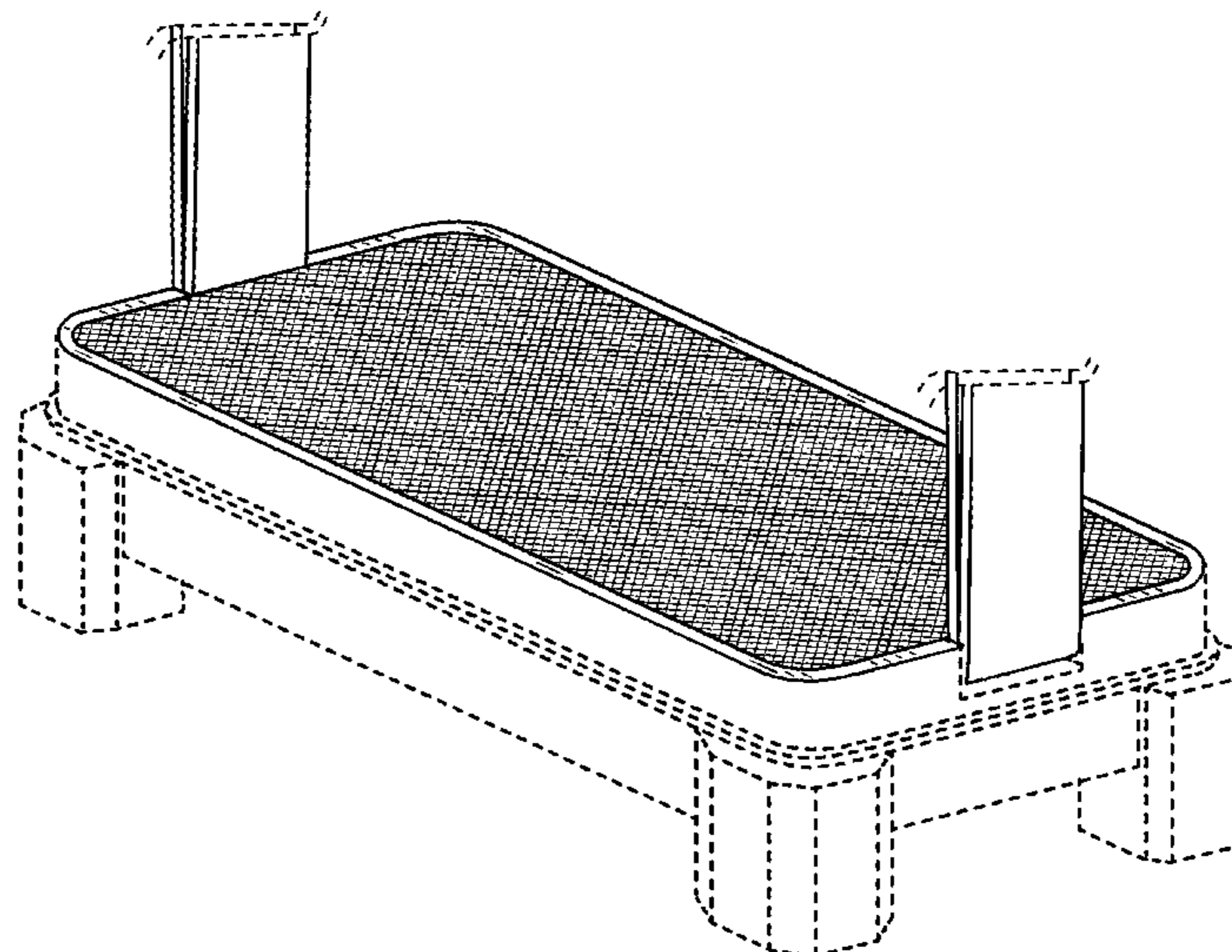
DESCRIPTION

FIG. 1 is a perspective view of an exercise apparatus
showing our new design;
FIG. 2 is a front view, the back view is a mirror image
thereof,
FIG. 3 is a top view thereof,
FIG. 4 is a bottom view thereof; and,
FIG. 5 is a side view, the opposite side is a mirror image
thereof.

The band is shown with a symbolic break in its length. The
appearance of any portion of the article beyond the break
lines forms no part of the claimed design.

The broken lines shown in the figures are for the purposes
of illustrating portions of the exercise apparatus which form
no part of the claimed design.

1 Claim, 5 Drawing Sheets



(56)

References Cited

U.S. PATENT DOCUMENTS

D289,538 S 4/1987 Wilson
 D309,933 S 8/1990 Brown, Jr.
 D320,428 S 10/1991 Rust
 D330,057 S * 10/1992 Saunders D21/671
 D330,234 S * 10/1992 Saunders D21/671
 D330,235 S * 10/1992 Traetta D21/671
 5,154,678 A * 10/1992 Adamczyk A63B 23/0458
 108/90
 5,178,596 A 1/1993 McIntire
 5,197,934 A 3/1993 Wirtz
 5,213,554 A * 5/1993 Goldstein A63B 23/0458
 108/19
 D337,362 S * 7/1993 Goldstein D21/671
 5,226,865 A * 7/1993 Chin A63B 23/0458
 108/144.11
 D339,179 S * 9/1993 Wilkinson D21/671
 D339,619 S * 9/1993 Bugnaski D21/689
 D342,298 S * 12/1993 Schnabel, Jr. D21/671
 D342,771 S 12/1993 Tandberg
 D349,540 S * 8/1994 Hand D21/671
 D353,419 S 12/1994 Sprague
 D353,637 S * 12/1994 Huang D21/690
 5,472,390 A * 12/1995 Faye A63B 23/0458
 482/27
 D365,861 S 1/1996 Moss, Jr.
 D369,627 S 5/1996 Thor
 5,514,058 A 5/1996 Buoni
 D371,176 S * 6/1996 Furner D21/671
 5,540,642 A 7/1996 Sprague
 5,645,511 A * 7/1997 Le Roux A63B 23/0458
 482/142
 5,653,665 A 8/1997 Neeley
 5,688,213 A 11/1997 Recker
 5,746,687 A 5/1998 Vial
 5,776,041 A 7/1998 Fisher
 5,885,196 A 3/1999 Gvoich
 D408,555 S * 4/1999 Albrecht D25/65
 6,203,476 B1 3/2001 Wang et al.
 6,280,366 B1 8/2001 Hsieh
 D474,818 S 5/2003 Yu
 D482,748 S 11/2003 Flynt
 D495,379 S * 8/2004 Dubus D21/686
 D519,172 S * 4/2006 Penat D21/671
 7,052,449 B2 5/2006 Chen
 D526,367 S 8/2006 Loccarini
 7,175,574 B2 2/2007 Carmel et al.
 D542,867 S * 5/2007 Teruo D21/686
 D556,841 S 12/2007 Oates
 D564,604 S * 3/2008 Mikail D21/688
 7,387,599 B1 6/2008 Hsu
 D583,883 S 12/2008 Thomas
 D590,457 S 4/2009 Mishan
 7,578,775 B2 8/2009 Terry
 7,601,101 B2 10/2009 Jackson
 D604,374 S 11/2009 Bizzell
 D610,638 S * 2/2010 Friess A63B 21/0552
 D21/686
 D626,607 S * 11/2010 Kim D21/671
 D633,155 S 2/2011 Brun
 7,922,624 B1 4/2011 Fairhurst
 D655,356 S 3/2012 Sandman

D657,008 S 4/2012 Markovic
 D670,345 S 11/2012 Guarrasi
 D680,599 S * 4/2013 Orenstein D21/671
 D681,138 S * 4/2013 Hodgkins D21/671
 D681,750 S * 5/2013 Meyer-Hayoz D21/686
 D682,374 S 5/2013 Wilkinson
 D694,348 S 11/2013 Rankin
 D695,367 S * 12/2013 Lovegrove D21/671
 8,870,722 B2 10/2014 Kassel
 D717,381 S * 11/2014 Orenstein D21/671
 D723,637 S 3/2015 Mercado
 D724,163 S 3/2015 Kelley
 D733,226 S 6/2015 Abbate
 D739,481 S * 9/2015 Glickfield D21/671
 D748,744 S 2/2016 Hansen
 D748,745 S 2/2016 Hansen
 9,254,405 B1 2/2016 Marji
 D764,607 S 8/2016 Beckford
 D778,374 S 2/2017 Jaquish
 D785,106 S * 4/2017 Panes D21/688
 D785,731 S * 5/2017 Stack D21/688
 D798,396 S 9/2017 Agate
 D804,590 S * 12/2017 Hillson D21/671
 D806,806 S * 1/2018 Chen D21/671
 D825,696 S * 8/2018 Mercenari Uribe D21/671
 D825,697 S * 8/2018 Mercenari Uribe D21/687
 D834,115 S 11/2018 Gilbert
 D842,940 S 3/2019 Harden
 D853,505 S 7/2019 Toueg
 D855,718 S * 8/2019 Hsu D21/671
 D864,316 S * 10/2019 Brown D21/671
 D865,084 S 10/2019 Croxton
 D875,194 S * 2/2020 Zhou D21/688
 2002/0137609 A1 9/2002 Rosati
 2005/0101453 A1 5/2005 Jeneve
 2005/0239617 A1 10/2005 Tenaglia
 2006/0128540 A1 * 6/2006 Engle A63B 21/04
 482/123
 2007/0207903 A1 9/2007 Csabai
 2007/0207905 A1 9/2007 Winston
 2009/0093349 A1 4/2009 Cooper
 2010/0227747 A1 9/2010 Cook
 2011/0207583 A1 * 8/2011 Elpers A63B 23/04
 482/52
 2011/0256987 A1 * 10/2011 Lepore A63B 23/0458
 482/52
 2014/0228180 A1 8/2014 Walker
 2015/0367159 A1 12/2015 Harris
 2016/0199689 A1 * 7/2016 Irwin B32B 21/14
 482/142
 2017/0080284 A1 * 3/2017 Hillson A63B 23/0458
 2018/0236299 A1 8/2018 Warriner
 2019/0069650 A1 3/2019 Walker
 2019/0217147 A1 7/2019 Garcia

OTHER PUBLICATIONS

Jaquishbiomedical, "GH Accelerator", Nov. 13, 2019. <https://www.jaquishbiomedical.com/products/gh-accelerator/#reviews>. Shown on p. 1. (Year: 2019).
 Jaquishbiomedical, "X Bar Elite", Apr. 20, 2020. <https://www.jaquishbiomedical.com/products>, Shown on p. 1. (Year 2020).

* cited by examiner

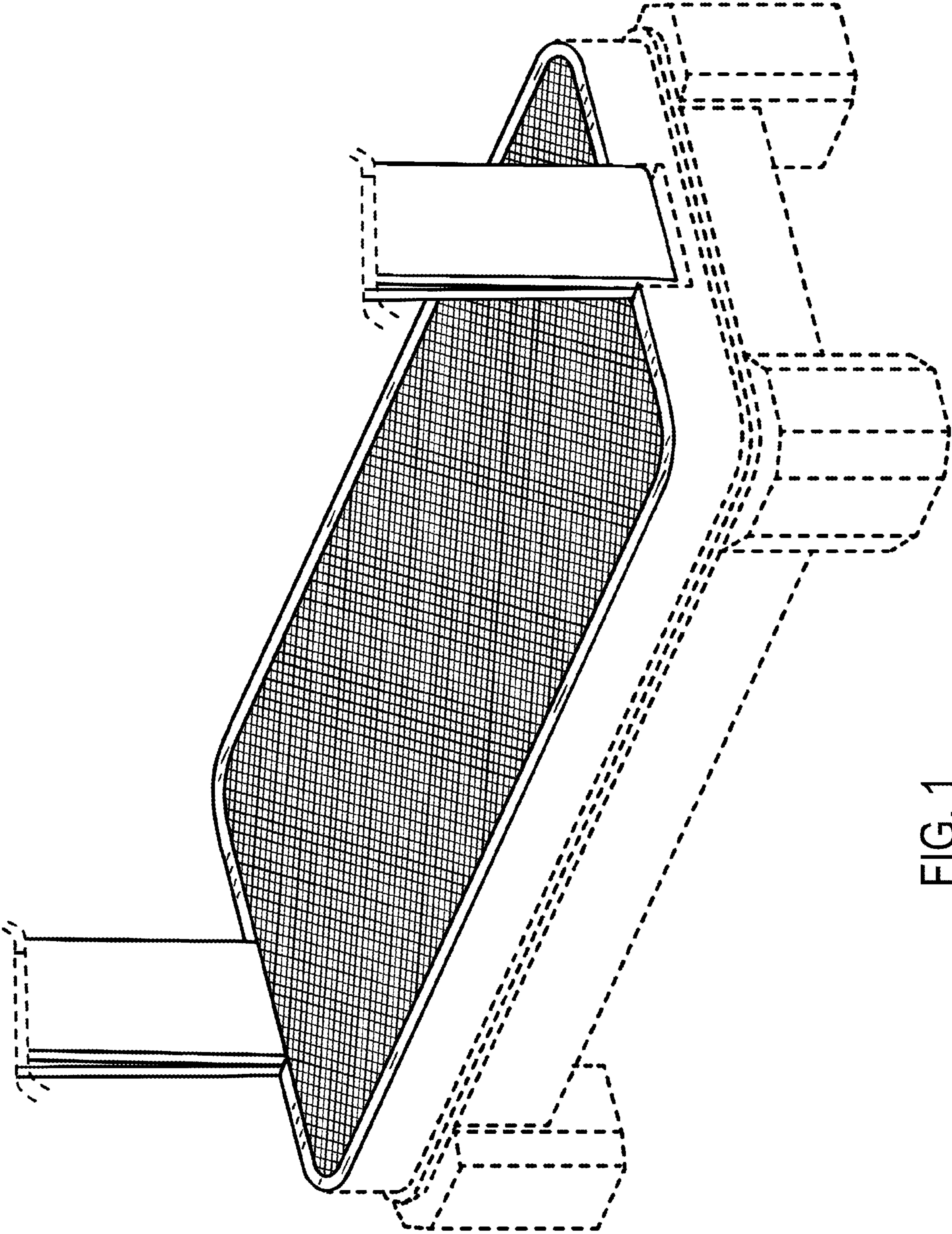


FIG. 1

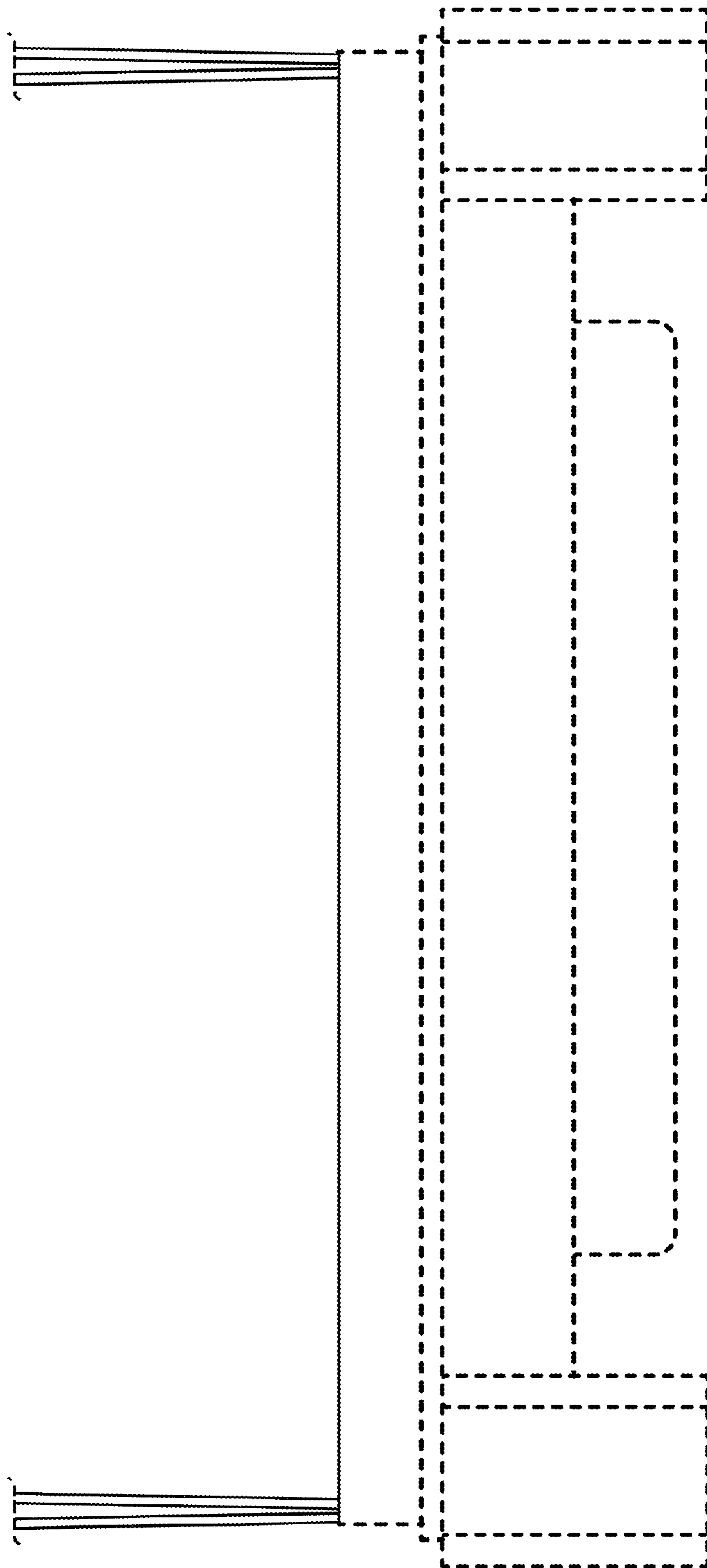


FIG. 2

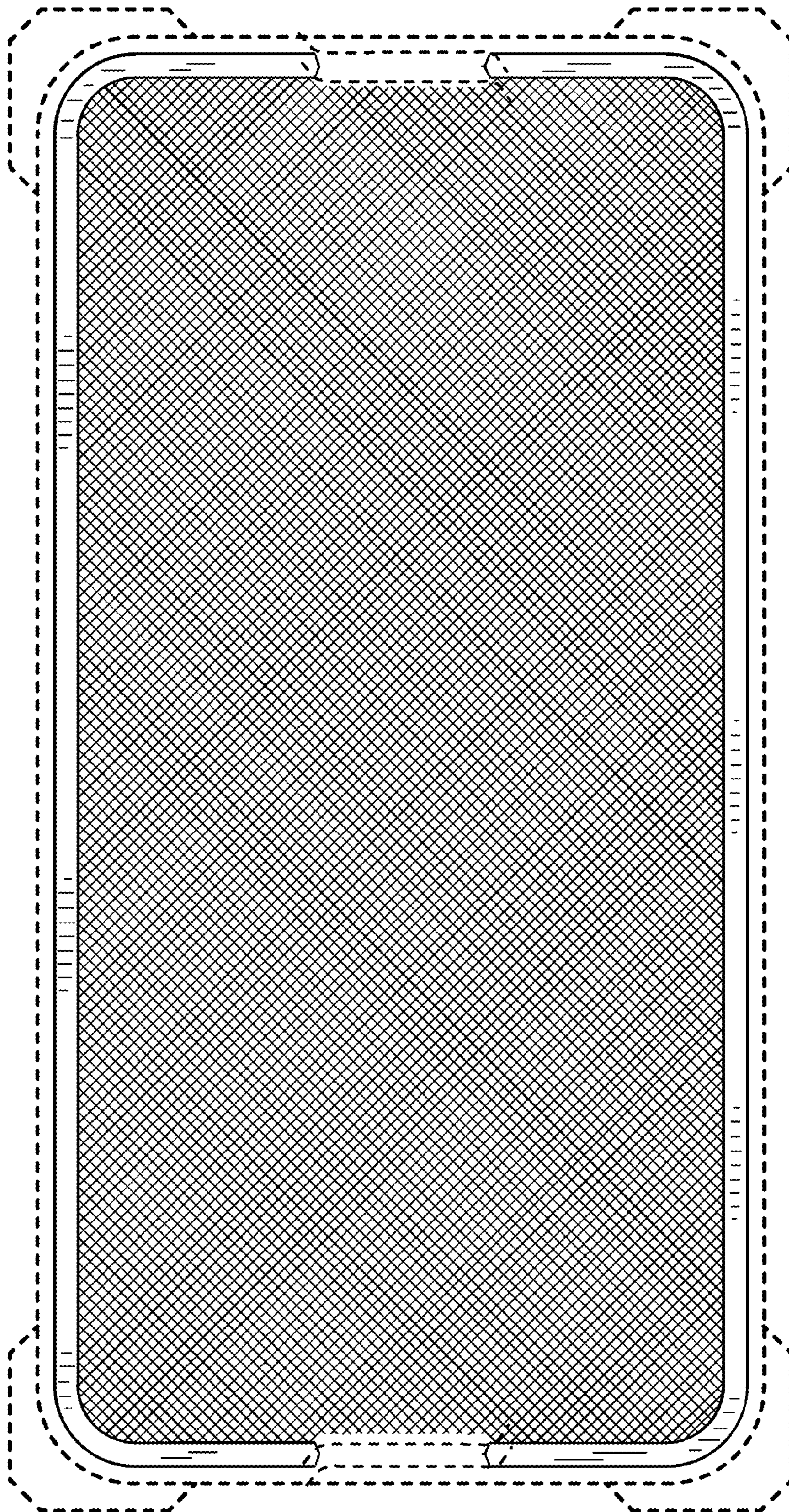


FIG. 3

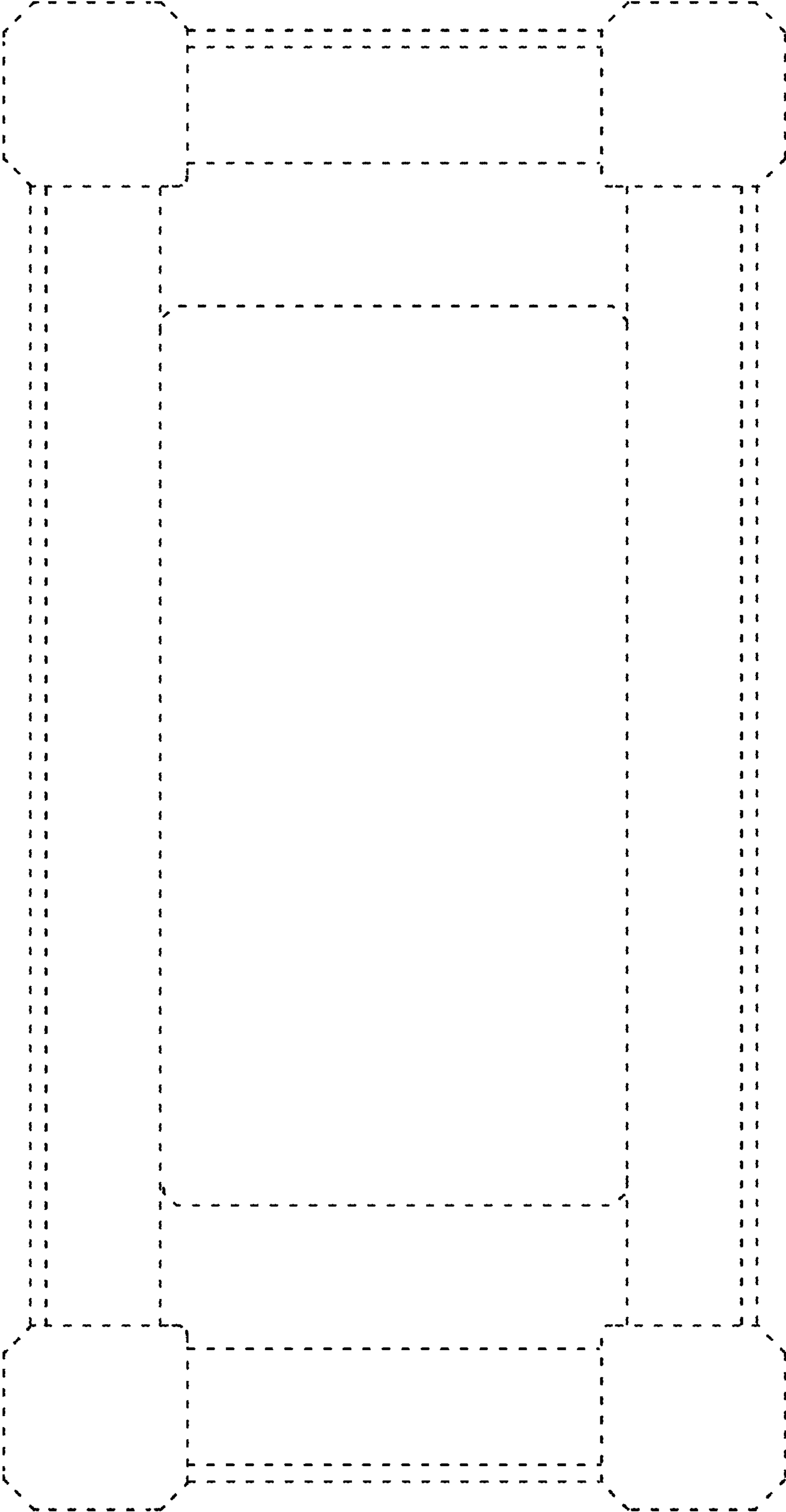


FIG. 4

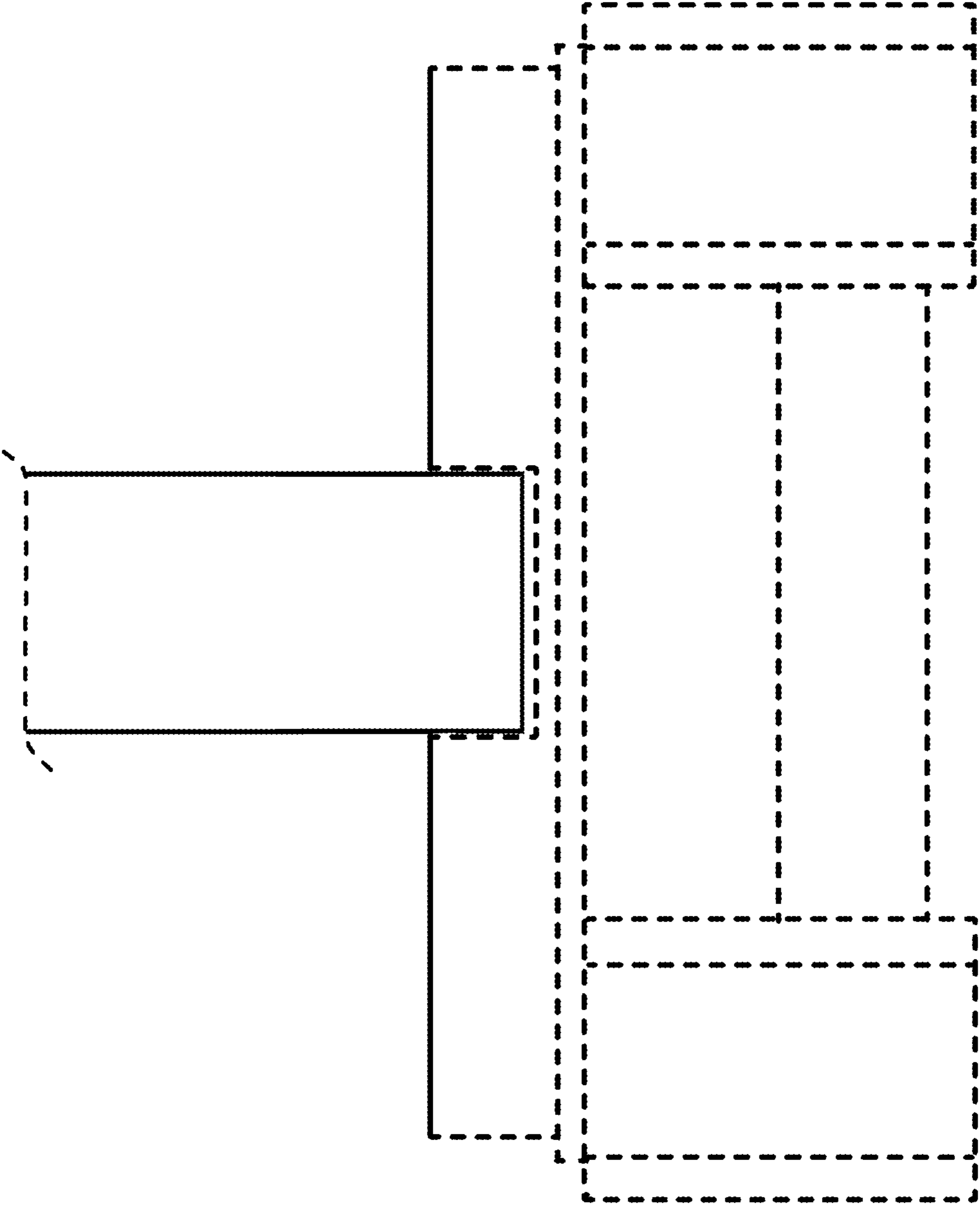


FIG. 5