



US00D925663S

(12) **United States Design Patent**
Schwarz

(10) **Patent No.: US D925,663 S**

(45) **Date of Patent: ** Jul. 20, 2021**

- (54) **EXERCISE MACHINE**
- (71) Applicant: **Magic by Magic, Inc.**, Austin, TX (US)
- (72) Inventor: **Magic Schwarz**, Austin, TX (US)
- (73) Assignee: **Magic By Magic, INC.**, Austin, TX (US)
- (**) Term: **15 Years**
- (21) Appl. No.: **29/704,379**

- 5,279,530 A 1/1994 Hess
 - D355,228 S * 2/1995 Hung D21/670
 - 5,492,515 A * 2/1996 Charnitski A63B 22/001
482/37
 - 5,499,958 A * 3/1996 Hess A63B 21/0552
482/123
 - 5,549,529 A 8/1996 Rasmussen
 - 5,941,800 A 8/1999 Laconis
 - 6,042,523 A 3/2000 Graham
 - 6,149,554 A 11/2000 Ferguson
 - 6,186,929 B1 2/2001 Endelman et al.
 - 6,440,042 B2 8/2002 Eschenbach
- (Continued)

- (22) Filed: **Sep. 4, 2019**
 - (51) **LOC (13) Cl. 21-02**
 - (52) **U.S. Cl.**
USPC **D21/670**
 - (58) **Field of Classification Search**
USPC D21/676, 674, 695, 666, 694, 686, 690,
D21/688, 662, 675, 679; 482/72, 100,
482/121, 70, 73, 96, 71, 9, 5, 142, 112,
482/130, 140, 131, 57, 95, 53, 98, 138,
482/60, 114, 104, 137, 51, 136, 97, 8
CPC A63B 23/0211; A63B 22/0076; A63B
21/068; A63B 2208/0233; A63B
2022/0079; A63B 21/225; A63B 22/0087;
A63B 21/153; A63B 21/00069; A63B
69/06
- See application file for complete search history.

- (56) **References Cited**
U.S. PATENT DOCUMENTS
- 326,247 A * 9/1885 Root A63B 22/0056
482/56
- 2,720,396 A 10/1955 Pfaus
- 4,695,050 A 9/1987 Smith et al.
- 4,781,372 A 11/1988 McCormack
- D323,008 S * 1/1992 Wang D21/670
- D326,695 S * 6/1992 Evans D21/670
- 5,199,932 A * 4/1993 Liao A63B 22/001
482/113
- 5,221,242 A 6/1993 Weber et al.

OTHER PUBLICATIONS

Even Got by Jason Cecil dated May 29, 2019. Found online [Feb. 8, 2021] <https://twitter.com/hashtag/prostrider>.*

(Continued)

Primary Examiner — Ryan Harvey
(74) *Attorney, Agent, or Firm* — Hall Estill Law Firm

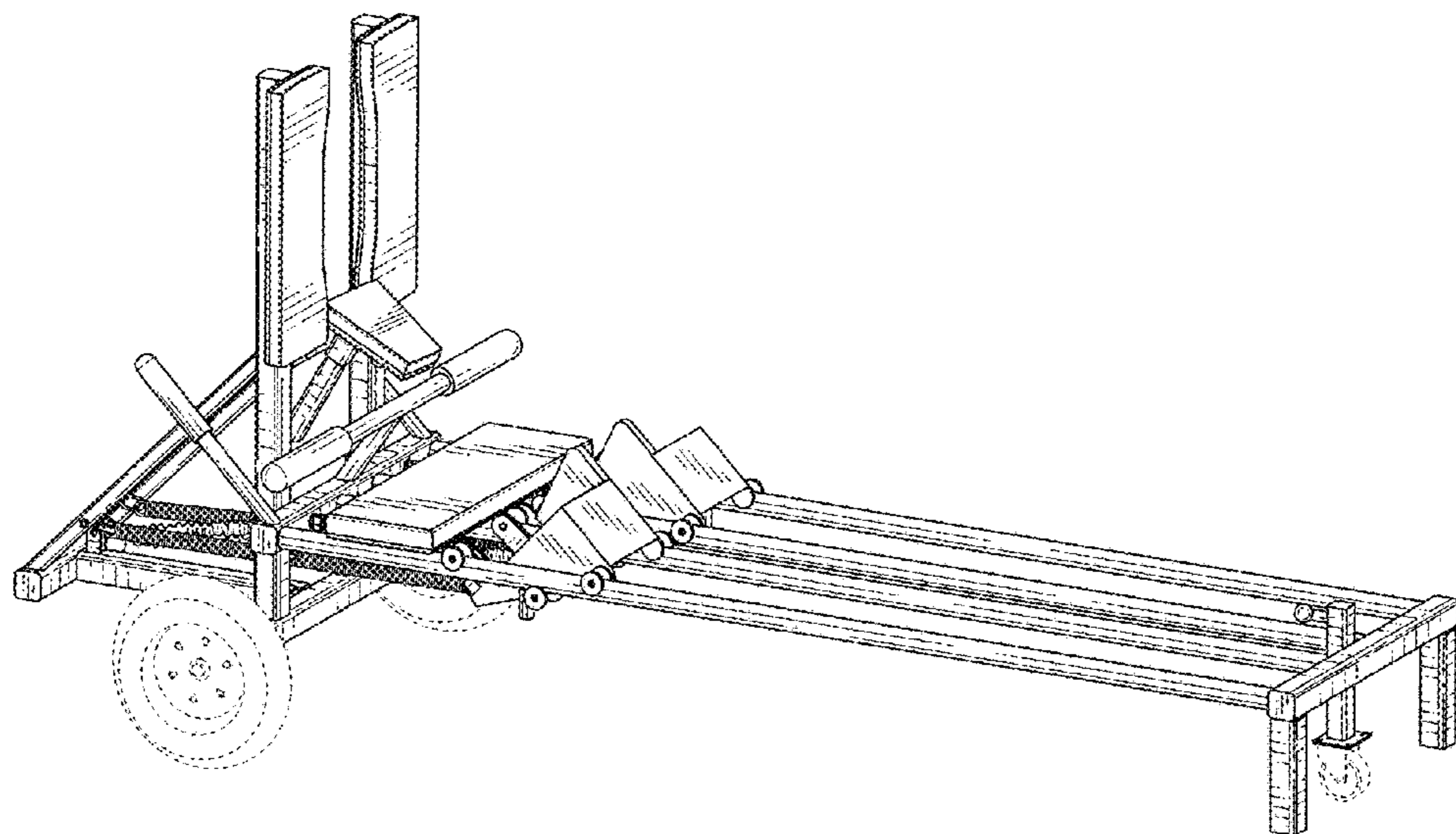
(57) **CLAIM**

The ornamental design for an exercise machine, as shown and described.

DESCRIPTION

FIG. 1 shows an isometric view of the design.
FIG. 2 shows a rear end view of the design.
FIG. 3 shows a front end view of the design.
FIG. 4 shows a right side view of the design.
FIG. 5 shows a left side view of the design.
FIG. 6 shows a top plan view of the design; and,
FIG. 7 shows a bottom plan view of the design.
The broken lines in these drawings serve to illustrate the environment in which the claimed design is associated. The broken lines form no part of the claimed design.

1 Claim, 7 Drawing Sheets



(56)

References Cited

U.S. PATENT DOCUMENTS

7,662,076 B1 * 2/2010 Ho A63B 22/205
482/130

7,803,095 B1 9/2010 LaGree

8,137,250 B1 * 3/2012 Caban A63B 21/4045
482/140

8,641,585 B2 2/2014 LaGree

9,108,078 B1 * 8/2015 Young A63B 21/4034

D759,169 S * 6/2016 Humberto Mercenari Uribe
D21/670

D802,687 S * 11/2017 Diallo D21/668

D802,688 S * 11/2017 Sun D21/670

D834,659 S * 11/2018 Chen D21/670

D837,907 S * 1/2019 Chen D21/670

D838,789 S * 1/2019 Hu D21/670

10,179,260 B1 * 1/2019 Stearns A63B 22/04

D840,480 S * 2/2019 Mercenari Uribe D21/670

D842,939 S * 3/2019 Mercenari Uribe D21/670

D853,502 S * 7/2019 Chen D21/670

D853,504 S * 7/2019 Mercenari Uribe D21/670

2004/0167000 A1 * 8/2004 Schwarz A63B 23/03541
482/123

2010/0248919 A1 * 9/2010 Zhou A63B 22/203
482/139

2013/0296137 A1 * 11/2013 Liang A63B 21/0053
482/2

2014/0094721 A1 * 4/2014 Diallo A63B 21/0058
601/5

2016/0279464 A1 * 9/2016 Liu A63B 21/005

2020/0001130 A1 * 1/2020 Schwarz A63B 22/203

2020/0197739 A1 * 6/2020 Hsieh A63B 21/025

2020/0269085 A1 * 8/2020 Pfaff A63B 21/154

OTHER PUBLICATIONS

Crossings Football by CCSKnightsFB dated Aug. 26, 2019. Found online [Feb. 8, 2021] <https://twitter.com/CCSKnightsFB/status/1165998397805006848>.*

Connally Cougar Football by Connally Cougar Football dated May 29, 2019. Found online [Feb. 8, 2021] <https://www.facebook.com/ConnallyCougarFootball/photos/a.677325195678055/2261356440608248>.*

* cited by examiner

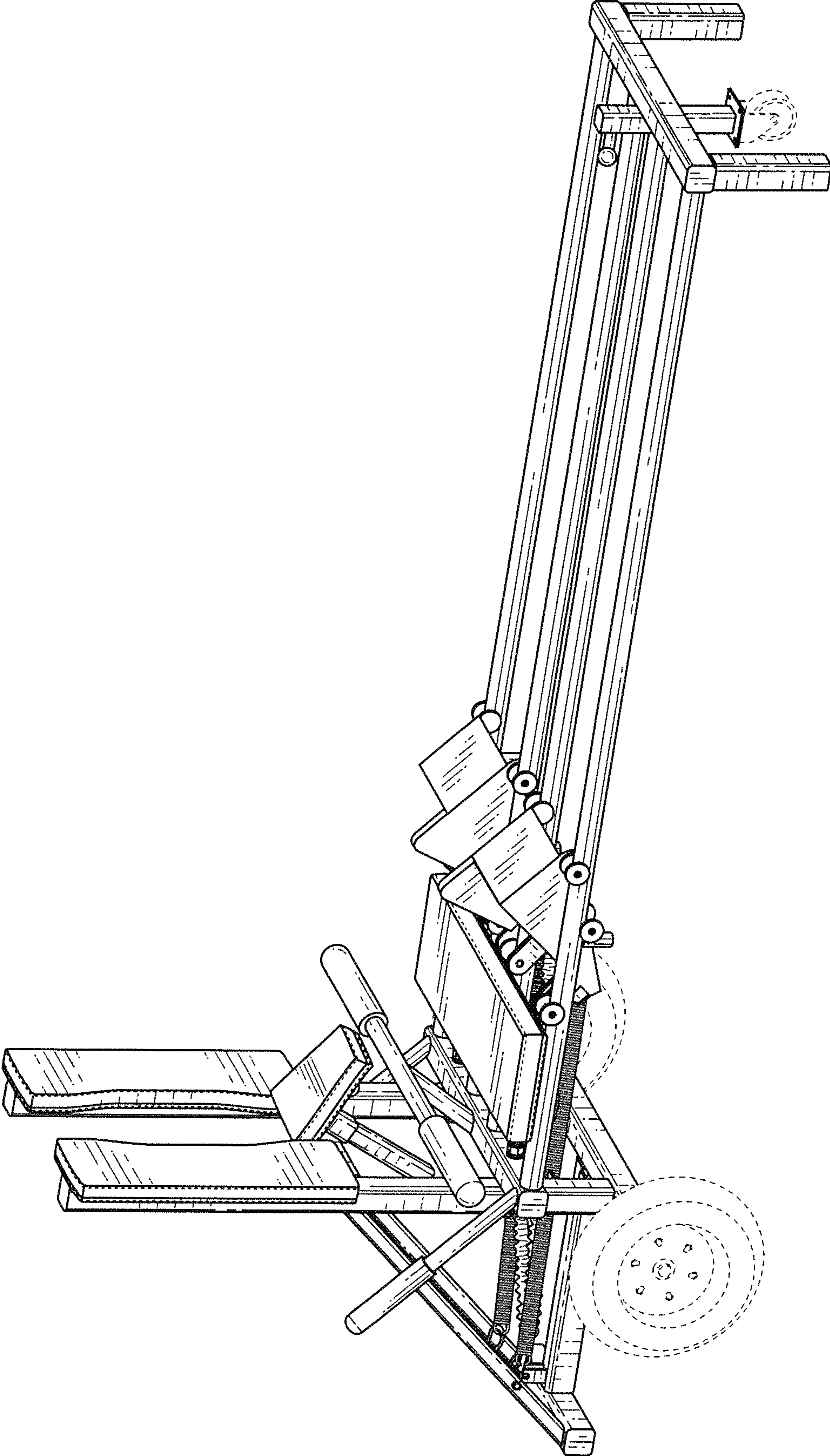


FIG. 1

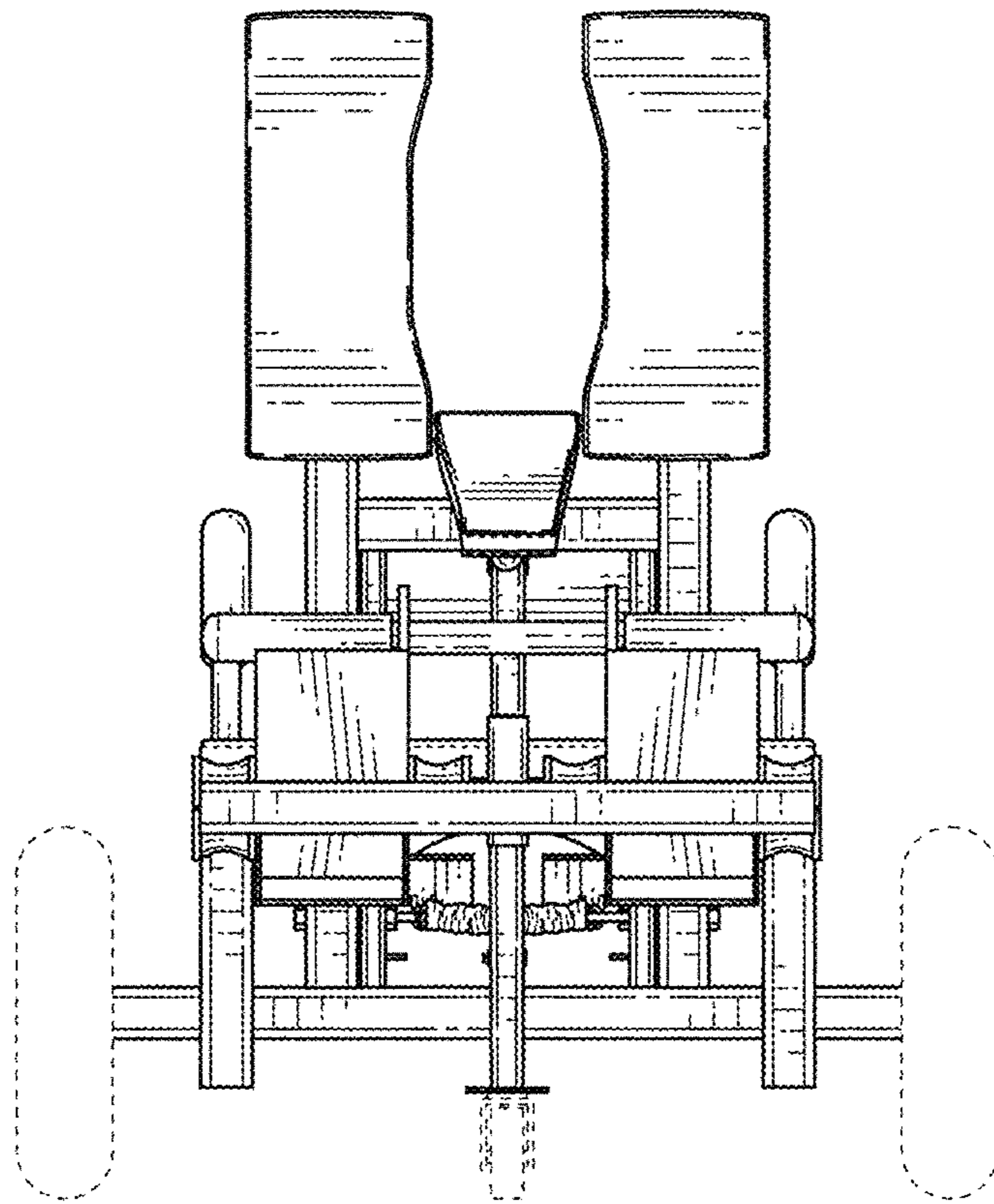


FIG. 2

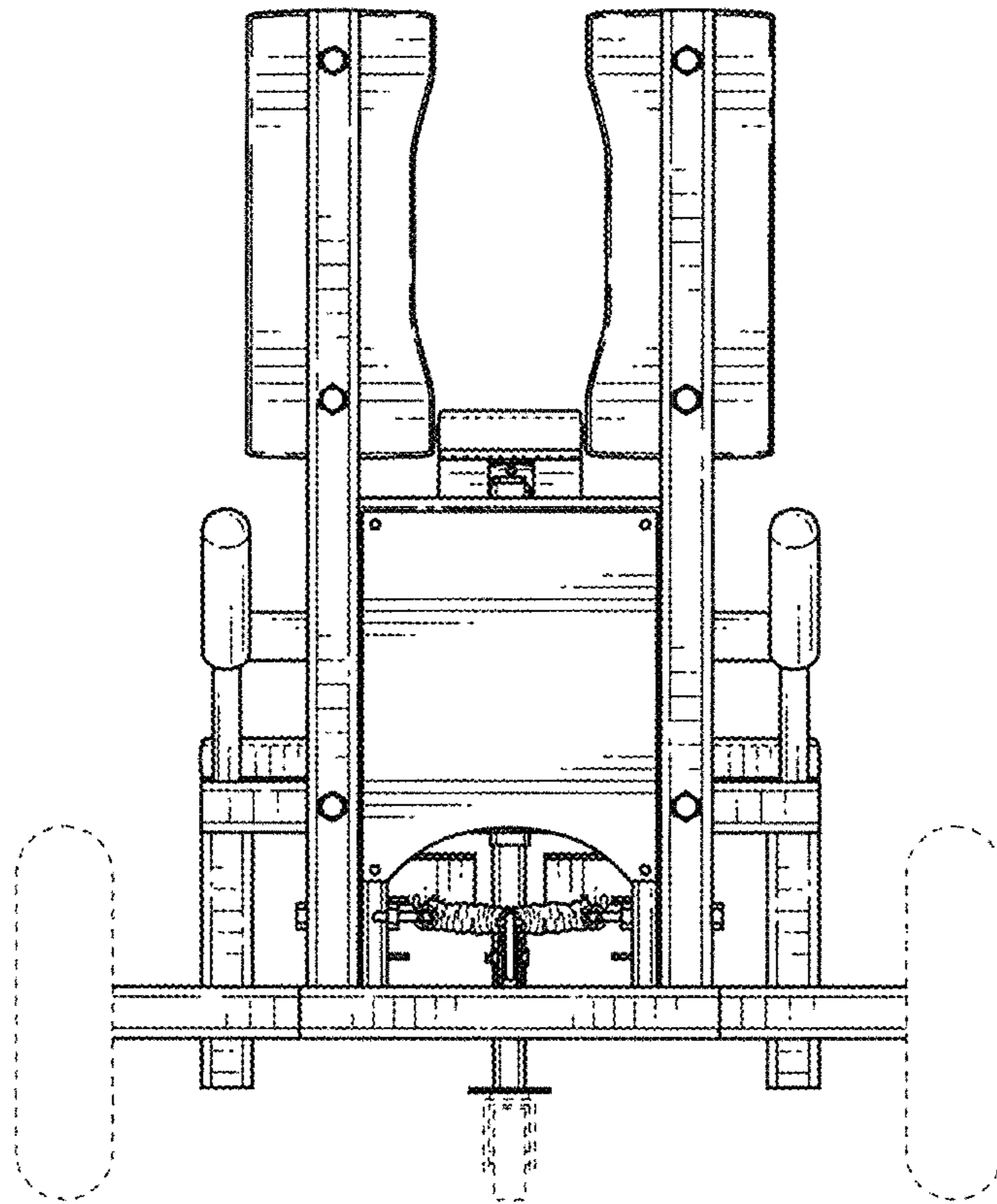


FIG. 3

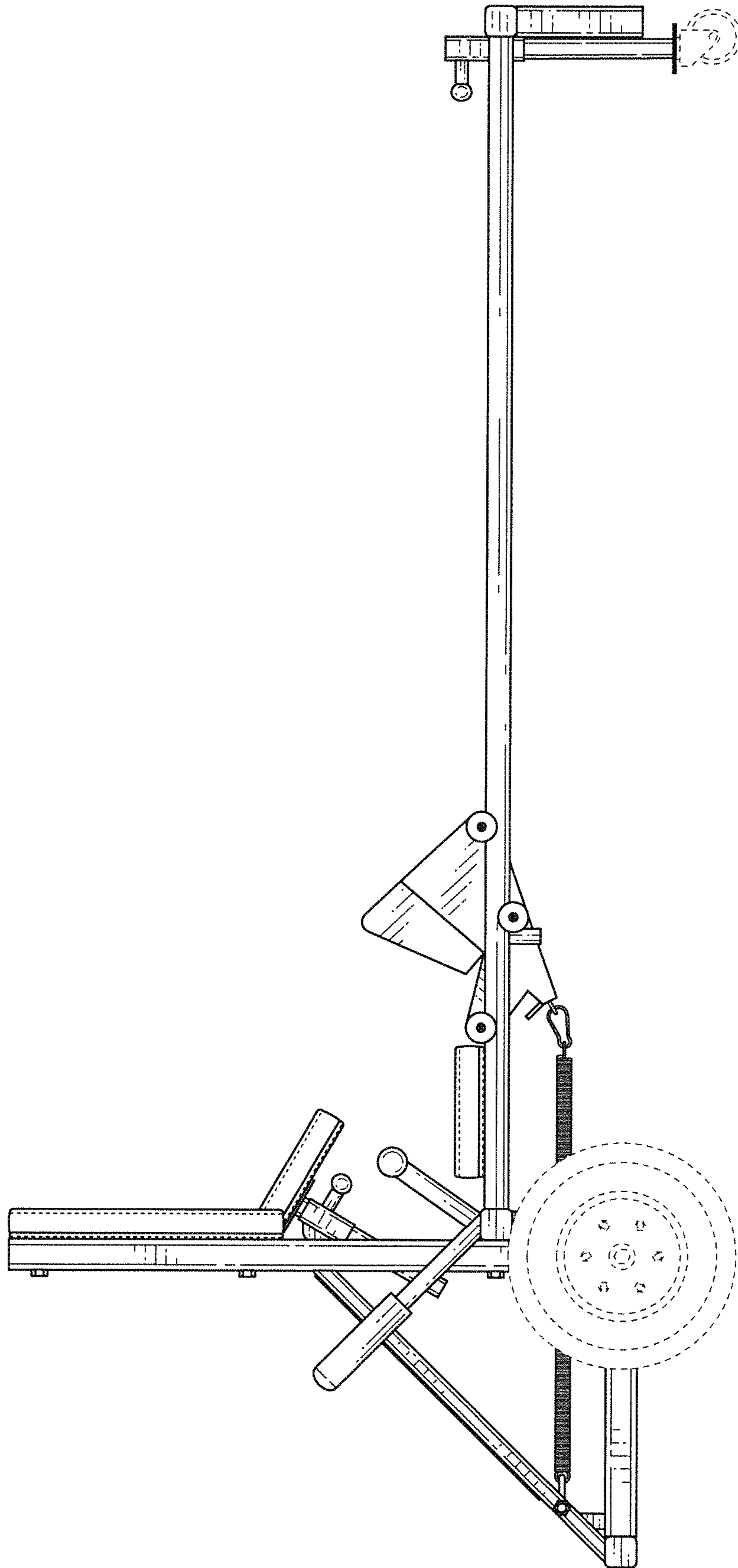


FIG. 4

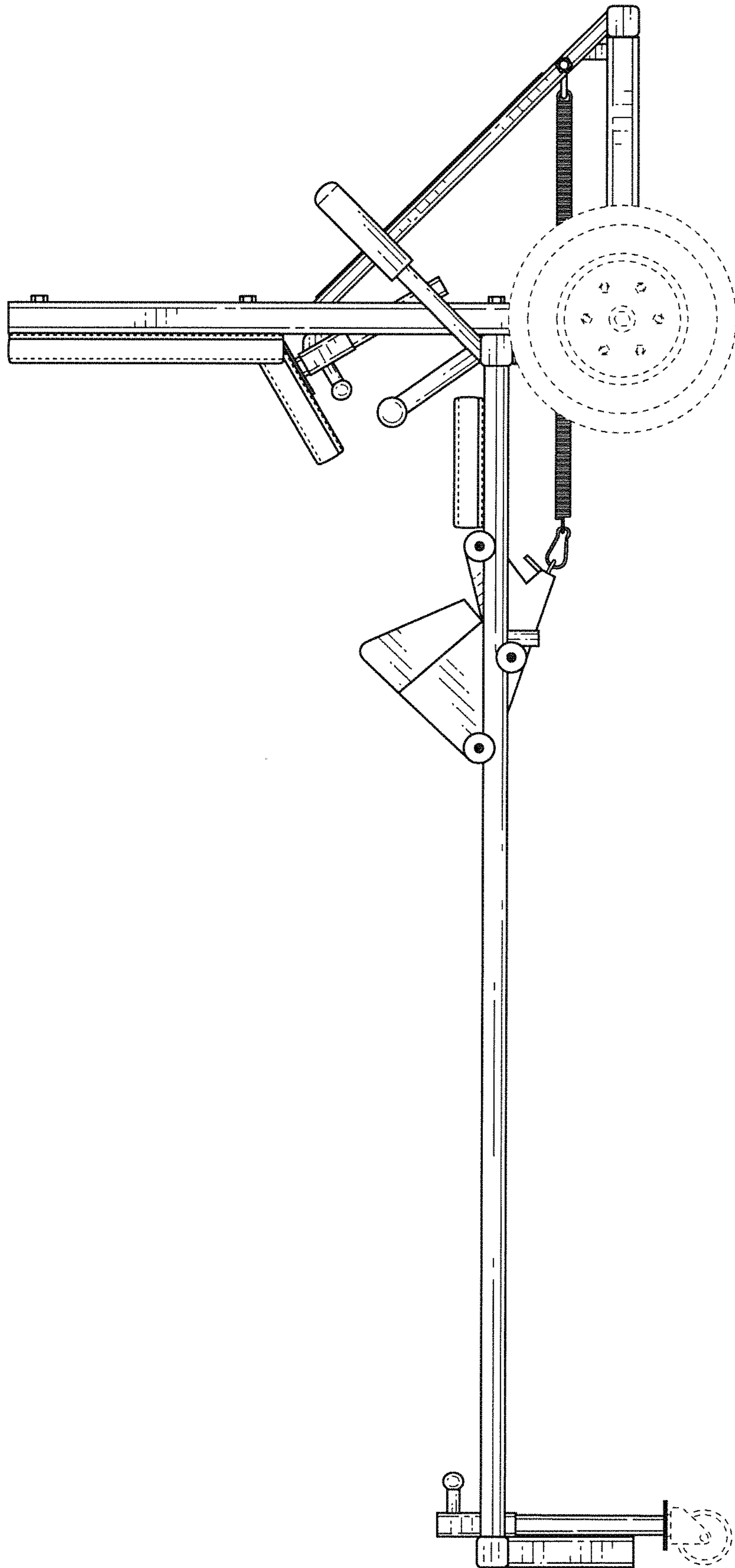


FIG. 5

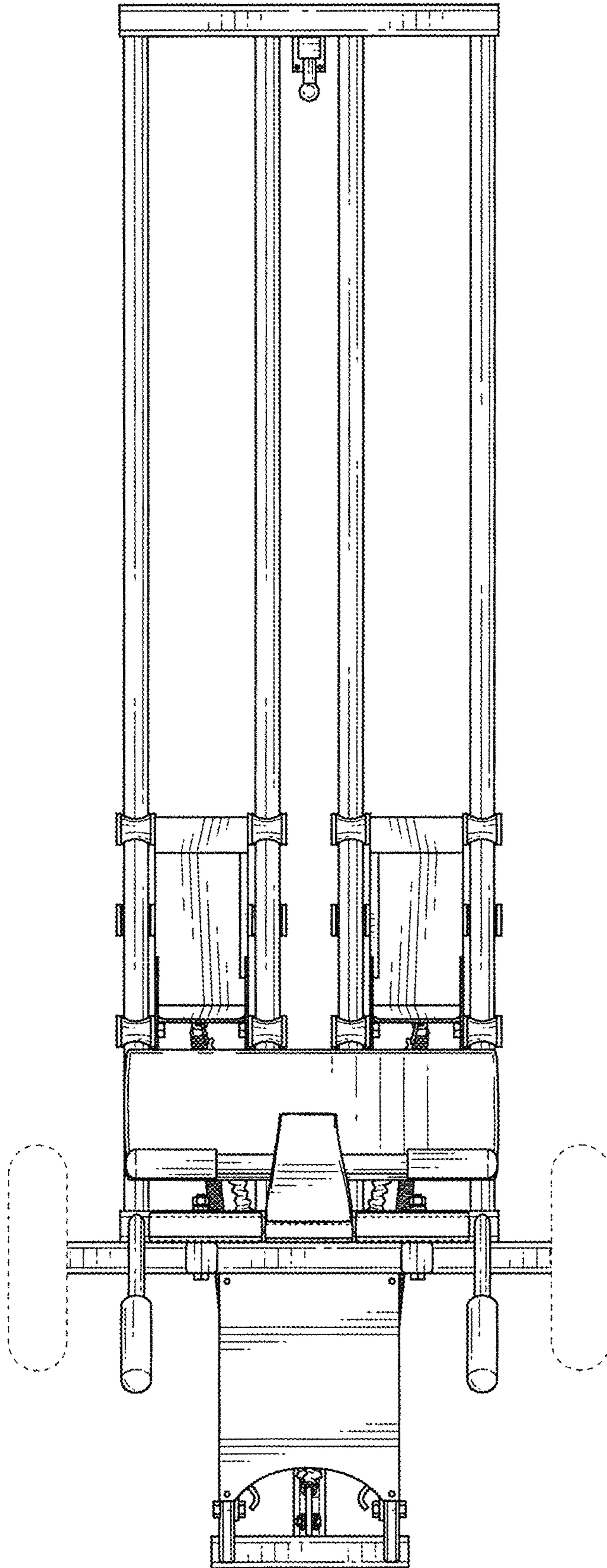


FIG. 6

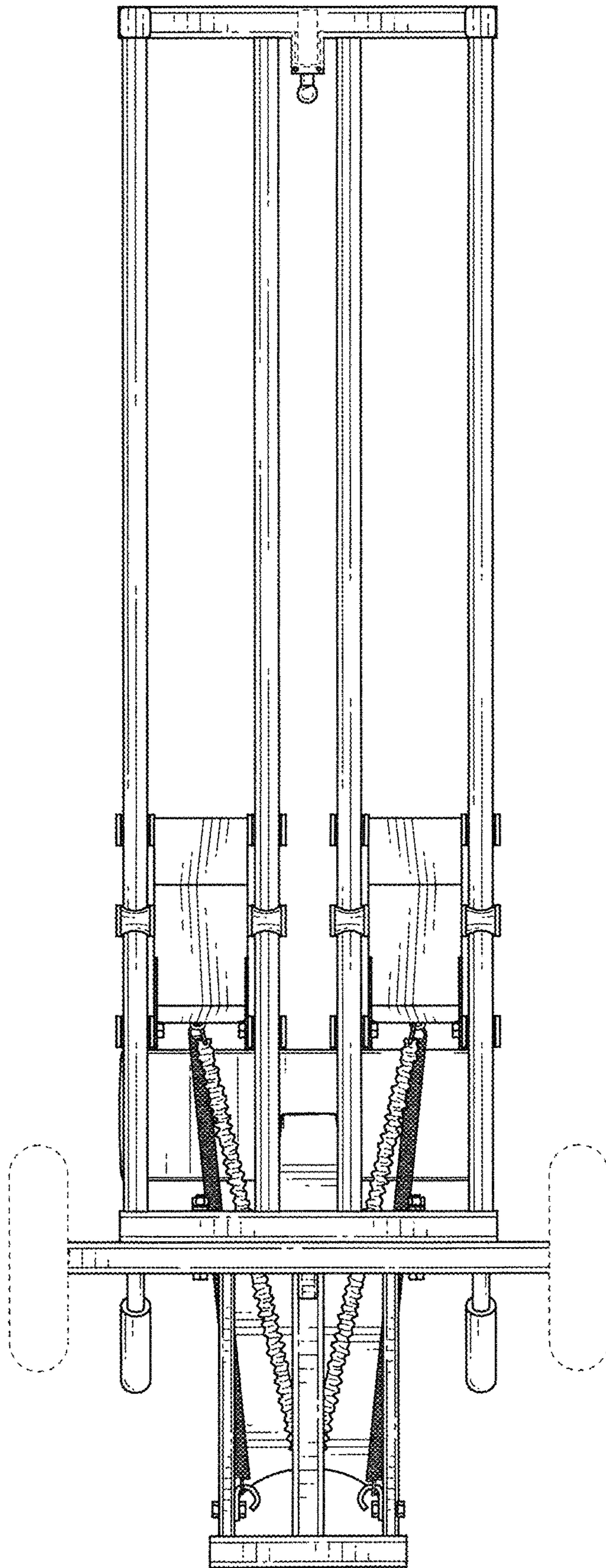


FIG. 7