



US00D925662S

(12) **United States Design Patent** (10) **Patent No.:** **US D925,662 S**
Spillman et al. (45) **Date of Patent:** **** Jul. 20, 2021**

(54) **EXERCISE DEVICE**
(71) Applicant: **CHOPFIT, LLC**, Austin, TX (US)
(72) Inventors: **Jonathan Spillman**, Austin, TX (US);
Anna D. Cardinal, Austin, TX (US);
Deepak Selvaraj, Austin, TX (US);
Paul T. Williams, Austin, TX (US)
(73) Assignee: **ChopFit, LLC**, Austin, TX (US)
(**) Term: **15 Years**
(21) Appl. No.: **29/709,334**
(22) Filed: **Oct. 14, 2019**
(51) **LOC (13) Cl.** **21-02**
(52) **U.S. Cl.**
USPC **D21/662**
(58) **Field of Classification Search**
USPC D21/680, 682, 662; D8/75, 76, 77, 78,
D8/80
CPC A63B 21/072
See application file for complete search history.

D862,191 S * 10/2019 Caglar D8/76
D909,845 S * 2/2021 Masalin D8/76
2005/0176561 A1 8/2005 Soukeras
2010/0204020 A1 8/2010 Thomas et al.
2012/0149539 A1 6/2012 Quader
2014/0051554 A1 2/2014 Walker
2014/0057763 A1 2/2014 Fritsch
2014/0213422 A1 7/2014 Marcus
2014/0309081 A1 10/2014 Gavigan
2015/0045192 A1 2/2015 Weck et al.
2020/0376314 A1* 12/2020 Spillman A63B 21/151

OTHER PUBLICATIONS

Fiskars chopping axe, announced 2014 [online], [site visited May 13, 2021]. Available on internet, URL:https://www.amazon.com/Fiskars-2-Lb-Chopping-Axe/dp/B00D8GC5TM/ref=sr_1_66?dchild=1&keywords=chopping+axe&qid=1620751572&sr=8-66 (Year: 2014).*

(Continued)

Primary Examiner — Khawaja Anwar
Assistant Examiner — Julice Seung Eun Oum
(74) *Attorney, Agent, or Firm* — Dickinson Wright, PLLC; Michael E. Noe, Jr.

(57) **CLAIM**

The ornamental design for an exercise device, as shown and described.

DESCRIPTION

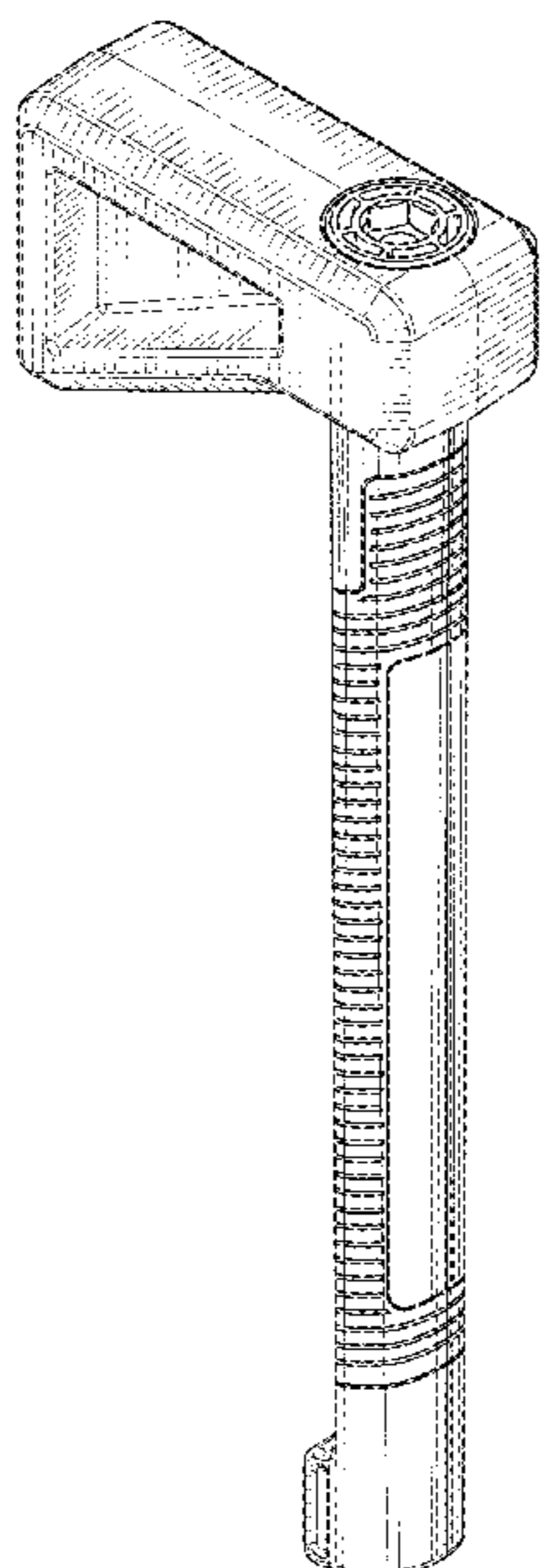
FIG. 1 is a top, rear perspective view of a first embodiment of an exercise device;
FIG. 2 is a front view of the exercise device of FIG. 1;
FIG. 3 is a rear view of the exercise device of FIG. 1;
FIG. 4 is left side view of the exercise device of FIG. 1;
FIG. 5 is right side view of the exercise device of FIG. 1;
FIG. 6 is top view of the exercise device of FIG. 1; and,
FIG. 7 is bottom view of the exercise device of FIG. 1.
The dashed lines form no part of the claimed design.

1 Claim, 6 Drawing Sheets

(56) **References Cited**

U.S. PATENT DOCUMENTS

3,231,281 A 1/1966 Wall
4,302,008 A 11/1981 Lard
D356,480 S * 3/1995 Ronnholm D8/76
6,692,386 B2 2/2004 Brundage
D510,691 S * 10/2005 Storm D8/76
D519,813 S * 5/2006 Hung D8/76
7,766,760 B2 8/2010 Priester et al.
D648,610 S * 11/2011 Paloheimo D8/78
8,491,422 B2 7/2013 Deschesnes et al.
8,864,608 B2 10/2014 Rockhill
9,446,280 B2 9/2016 Feinman et al.
D818,337 S * 5/2018 Nelson D8/76
10,029,134 B2 7/2018 Gavigan
D854,903 S * 7/2019 Nelson D8/76



(56)

References Cited

OTHER PUBLICATIONS

Wakeman axe, announced 2017 [online], [site visited May 13, 2021]. Available on internet, URL: https://www.amazon.com/Wakeman-Outdoors-Camping-Accessories-Combo/dp/B01N703UF1/ref=sr_1_295?dchild=1&keywords=chopping+axe&qid=1620752357&sr=8-295 (Year: 2017).*

* cited by examiner

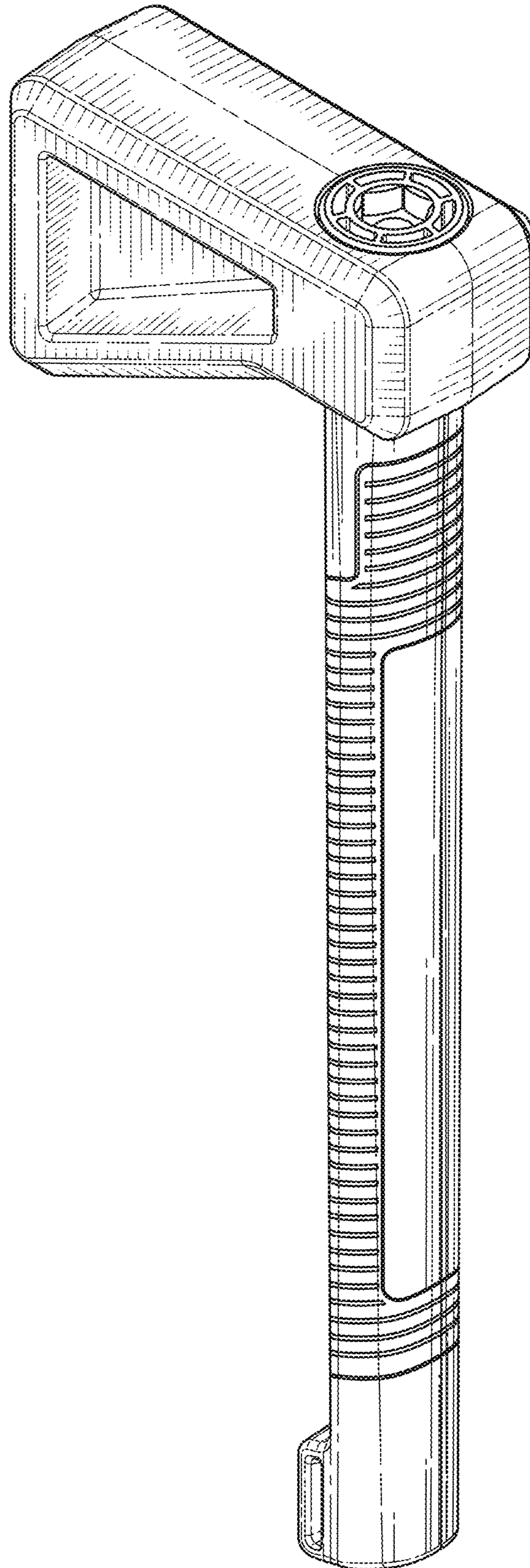


FIG. 1

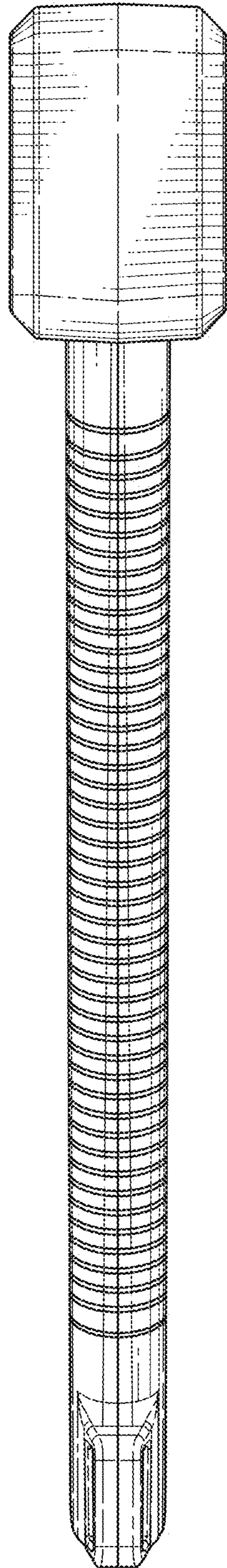


FIG. 2

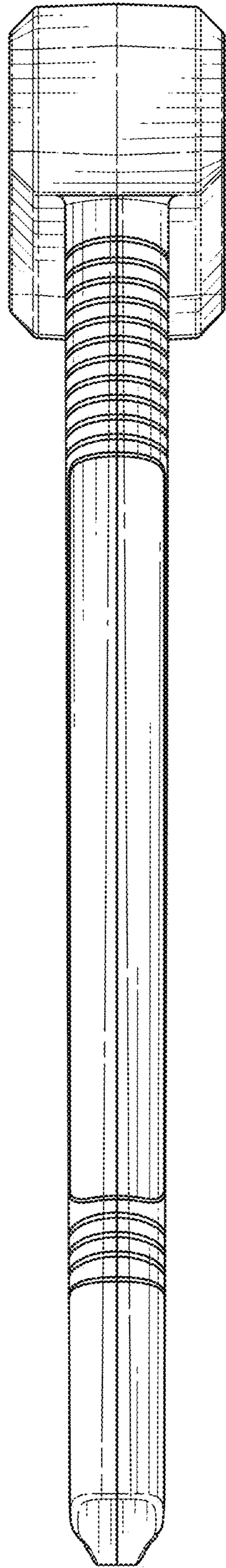


FIG. 3

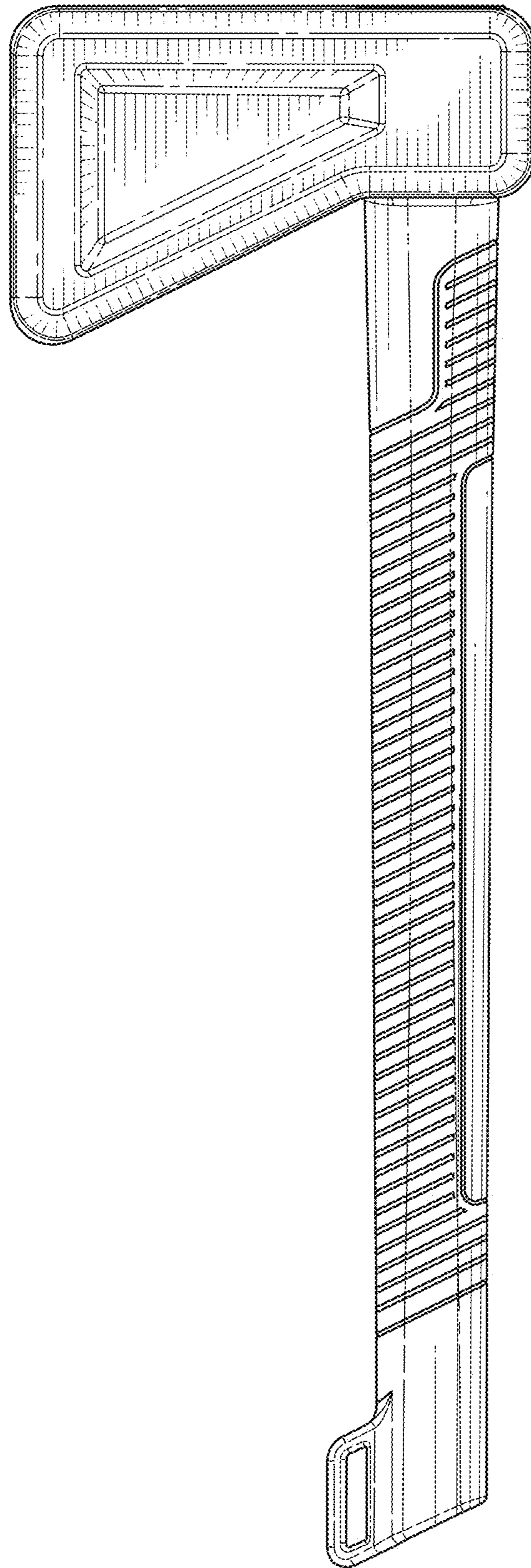


FIG. 4

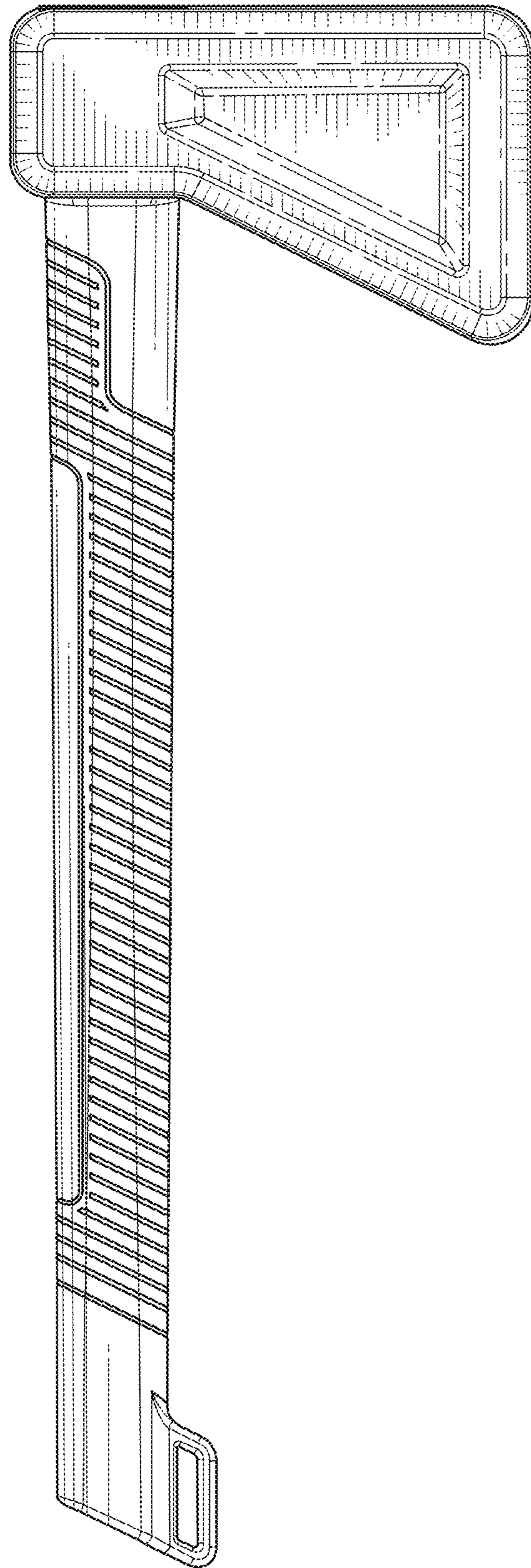


FIG. 5

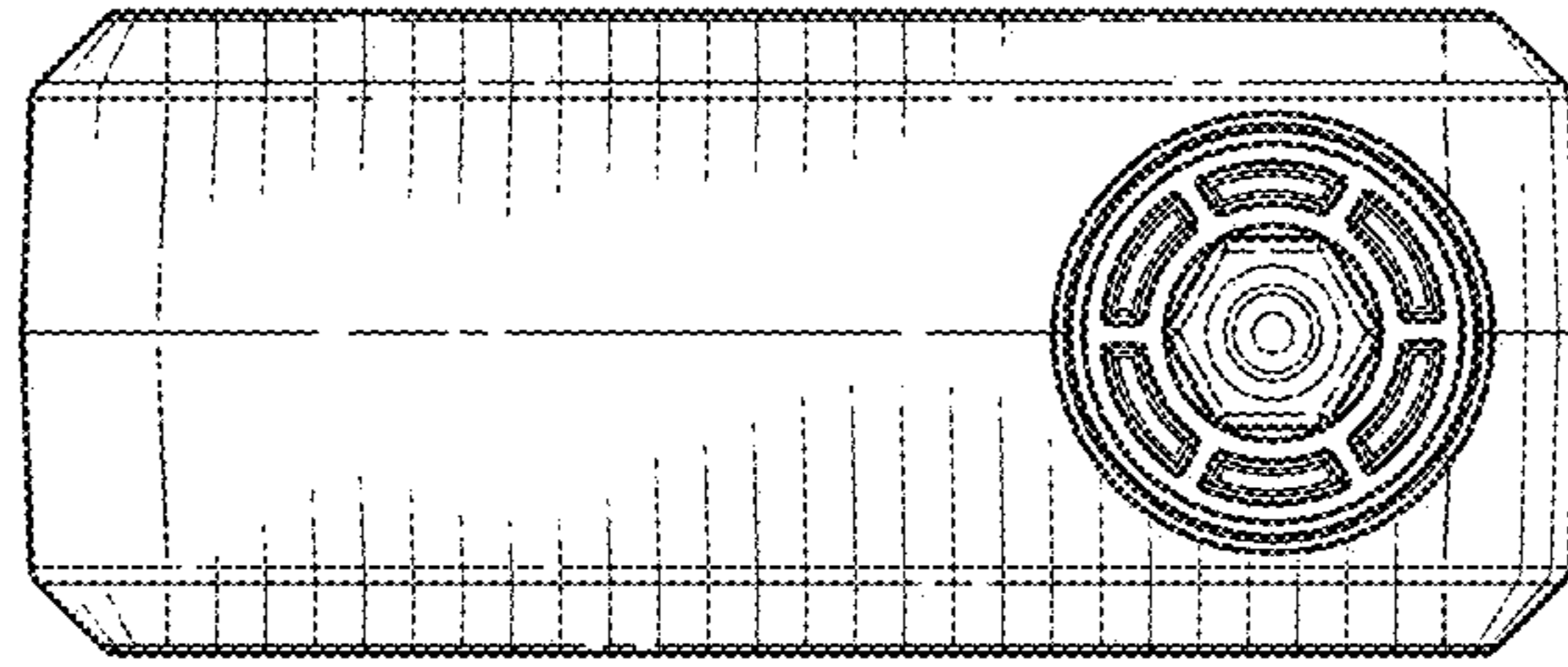


FIG. 6

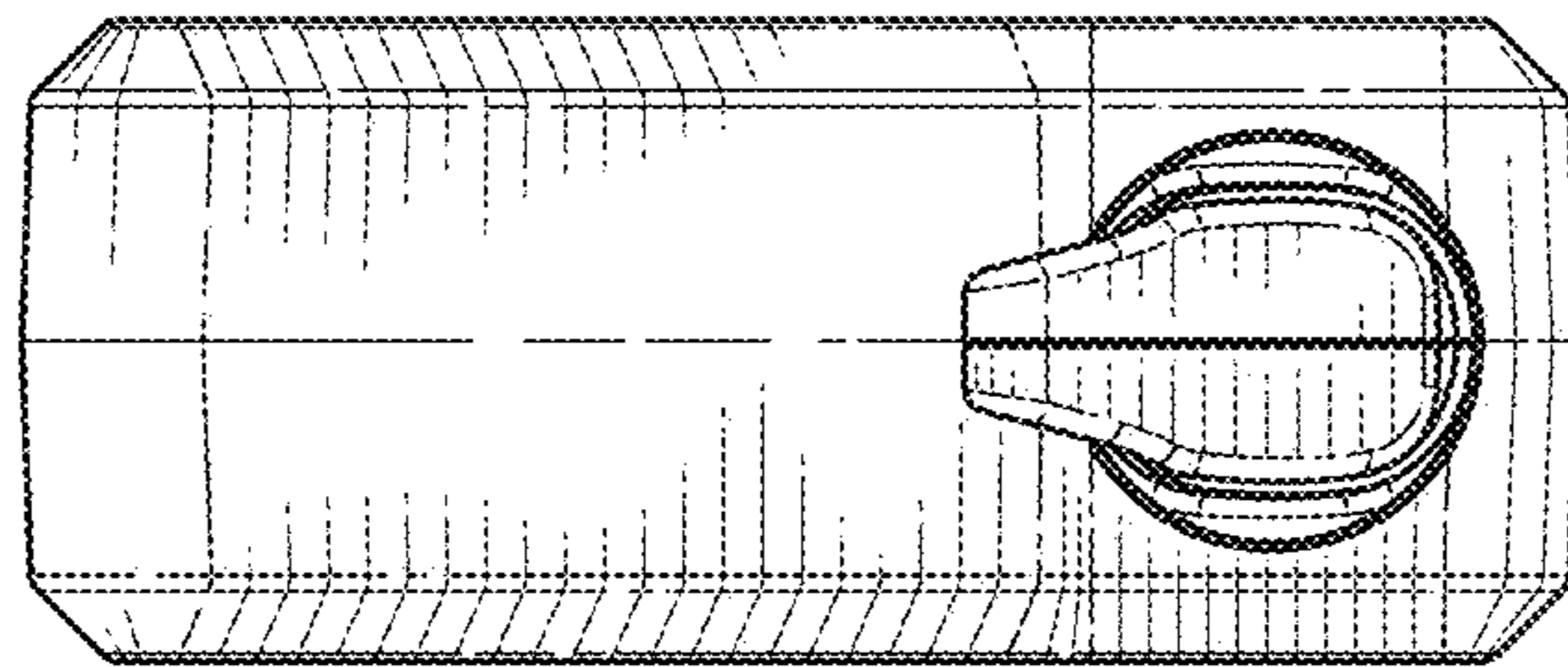


FIG. 7