



US00D925661S

(12) **United States Design Patent** (10) **Patent No.:** **US D925,661 S**
Hagler et al. (45) **Date of Patent:** **** Jul. 20, 2021**

(54) **MODEL VEHICLE BODY REINFORCEMENT**

(71) Applicant: **TRAXXAS, LP**, McKinney, TX (US)

(72) Inventors: **Skylar Hagler**, Anna, TX (US); **Otto Karl Allmendinger**, Rowlett, TX (US); **Jory Sprowl**, Honey Grove, TX (US); **Jaime Felix Barajas**, Dallas, TX (US)

(73) Assignee: **TRAXXAS LP**, Mckinney, TX (US)

(**) Term: **15 Years**

(21) Appl. No.: **29/708,799**

(22) Filed: **Oct. 9, 2019**

(51) **LOC (13) Cl.** **21-01**

(52) **U.S. Cl.**
USPC **D21/561**

(58) **Field of Classification Search**
USPC D21/424, 433, 434, 483, 495, 522,
D21/533-562; D12/86-93, 98, 159,
D12/163-173, 401, 190, 400; 446/431,
446/448, 454-456, 465-466, 470-471;
D08/399; 623/22.36
CPC B60G 2204/128; B60G 13/003; B62D
25/00; B62D 35/00; A63H 17/262; A63H
17/00; A63H 17/395; A63H 17/38; A63H
17/26; A63H 17/28; A63H 33/042; A63H
3/16; A63H 3/50; A63H 30/00; A63H
7/04; A63H 17/36; A63H 17/264; A63H
17/004; A63H 30/04; B60R 19/02; B60R
19/023; B60R 19/18; B60R 19/24; B60R
19/44; B60R 19/48; B60R 19/56; B60R
2019/527; B60R 2019/1886

See application file for complete search history.

(56) **References Cited**

U.S. PATENT DOCUMENTS

4,371,293 A 2/1983 Wilcox et al.
D284,165 S 6/1986 Brilando et al.

D364,084 S 11/1995 Yaich
D373,370 S * 9/1996 Anthony D15/148
D399,730 S 10/1998 Pitre
D404,128 S 1/1999 Huebner
D429,254 S * 8/2000 Bisschop D15/5
D445,805 S 7/2001 Bruns
D479,793 S 9/2003 Jones
D484,037 S 12/2003 Fleetwood

(Continued)

OTHER PUBLICATIONS

RPM Body Savers for Traxxas Rustler 4x4, Tin-Eye Date Aug. 15, 2019 [Online], [Site Visited Nov. 3, 2020] Available From Internet, URL: <<https://www.modelsport.co.uk/rpm-body-savers-for-traxxas-rustler-4x4/rc-car-products/442109>> (Year: 2019).*

(Continued)

Primary Examiner — Cynthia M. Chin

(74) *Attorney, Agent, or Firm* — Daryl R. Wright; Greg Carr

(57) **CLAIM**

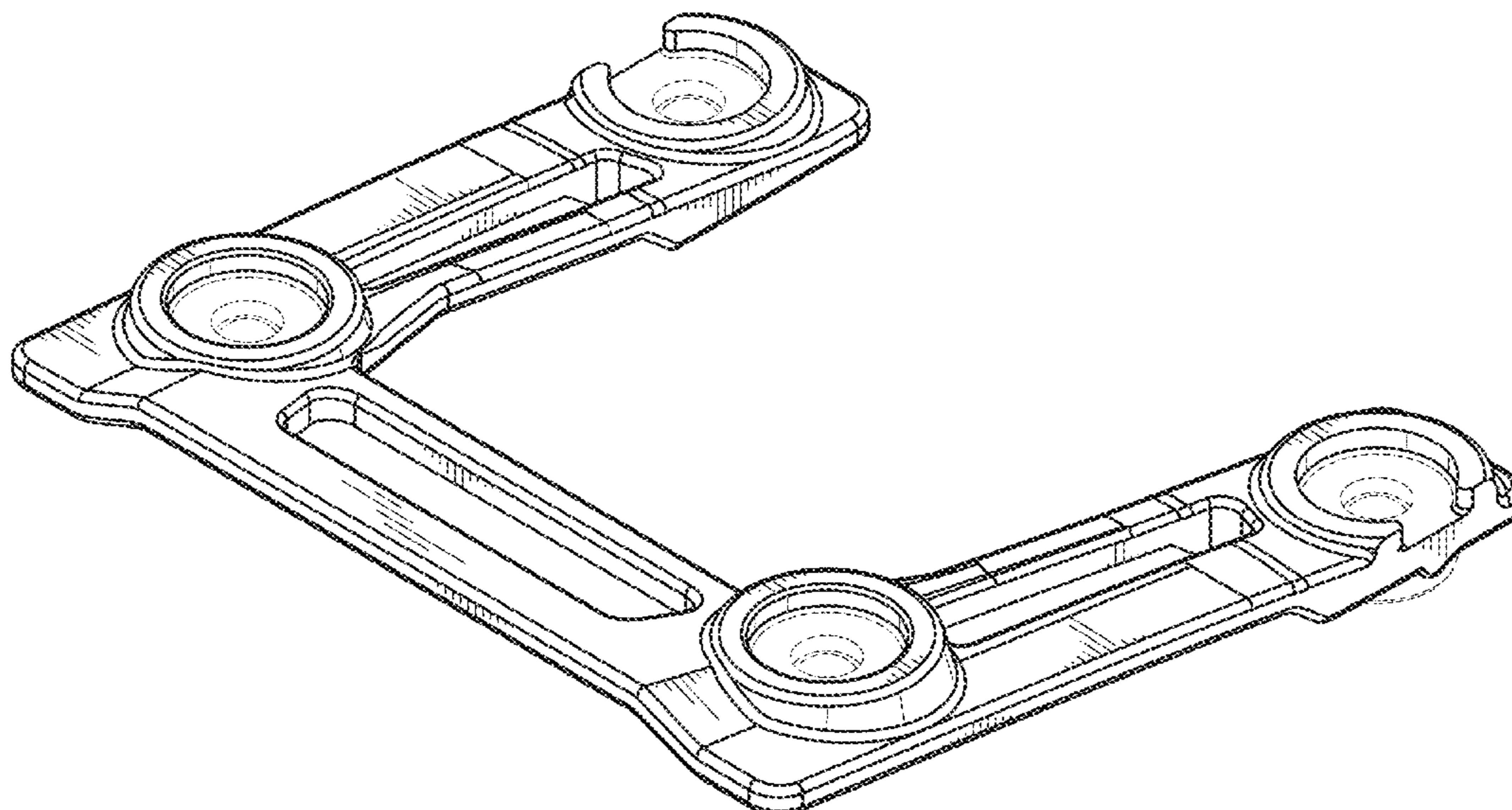
We claim the ornamental design for a model vehicle body reinforcement, as shown and described.

DESCRIPTION

FIG. 1 is an upper, left, front perspective view of a model vehicle body reinforcement, showing our new design; FIG. 2 is a right side elevation view thereof; FIG. 3 is a left side elevation view thereof; FIG. 4 is a front elevation view thereof; FIG. 5 is a rear elevation view thereof; FIG. 6 is an upper plan view thereof; and, FIG. 7 is a lower plan view of the model vehicle body reinforcement.

In the drawings, the broken lines showing features of the model vehicle body reinforcement form no part of the claimed design.

1 Claim, 5 Drawing Sheets



(56)

References Cited

U.S. PATENT DOCUMENTS

D500,536 S * 1/2005 Broberg D21/561
 D515,910 S 2/2006 Gates et al.
 D532,291 S 11/2006 Geers
 D562,187 S 2/2008 Tiede
 D571,640 S 6/2008 Misch
 D628,047 S 11/2010 Craig
 D647,789 S 11/2011 McGowan
 D654,937 S 2/2012 Fader et al.
 D674,350 S 1/2013 Hodge et al.
 D682,124 S 5/2013 Small
 D691,034 S 10/2013 Field et al.
 D708,043 S 7/2014 Sonnendorfer et al.
 D713,237 S 9/2014 Towner
 D713,240 S 9/2014 Chance et al.
 D741,338 S 10/2015 Hoshikugi
 D749,708 S * 2/2016 Smith D23/269
 D778,702 S 2/2017 Mouthaan
 D805,223 S 12/2017 DeBellis
 D812,109 S 3/2018 Cross et al.
 D817,140 S 5/2018 Mouthaan

D835,503 S 12/2018 Votel et al.
 D835,504 S 12/2018 Votel et al.
 D840,779 S 2/2019 Votel et al.
 D845,100 S 4/2019 Gonzalez Garcia
 D857,491 S 8/2019 Bell et al.
 D880,625 S 4/2020 Romanoff et al.
 D899,917 S * 10/2020 Sprowl D8/399
 D899,918 S * 10/2020 Sprowl D8/399
 2011/0129318 A1 6/2011 Davies
 2012/0199530 A1 * 8/2012 Kim B29C 45/14311
 210/444
 2013/0046389 A1 * 2/2013 Fierlbeck A61F 2/34
 623/22.36
 2017/0321434 A1 11/2017 Shadwell et al.

OTHER PUBLICATIONS

Product Spotlight: Body Reinforcements, Earliest Available Date Nov. 3, 2020 [Online], [Site Visited Nov. 3, 2020] Available From Internet, URL: <<https://traxxas.com/news/body-reinforcements>> (Year: 2020).*

* cited by examiner

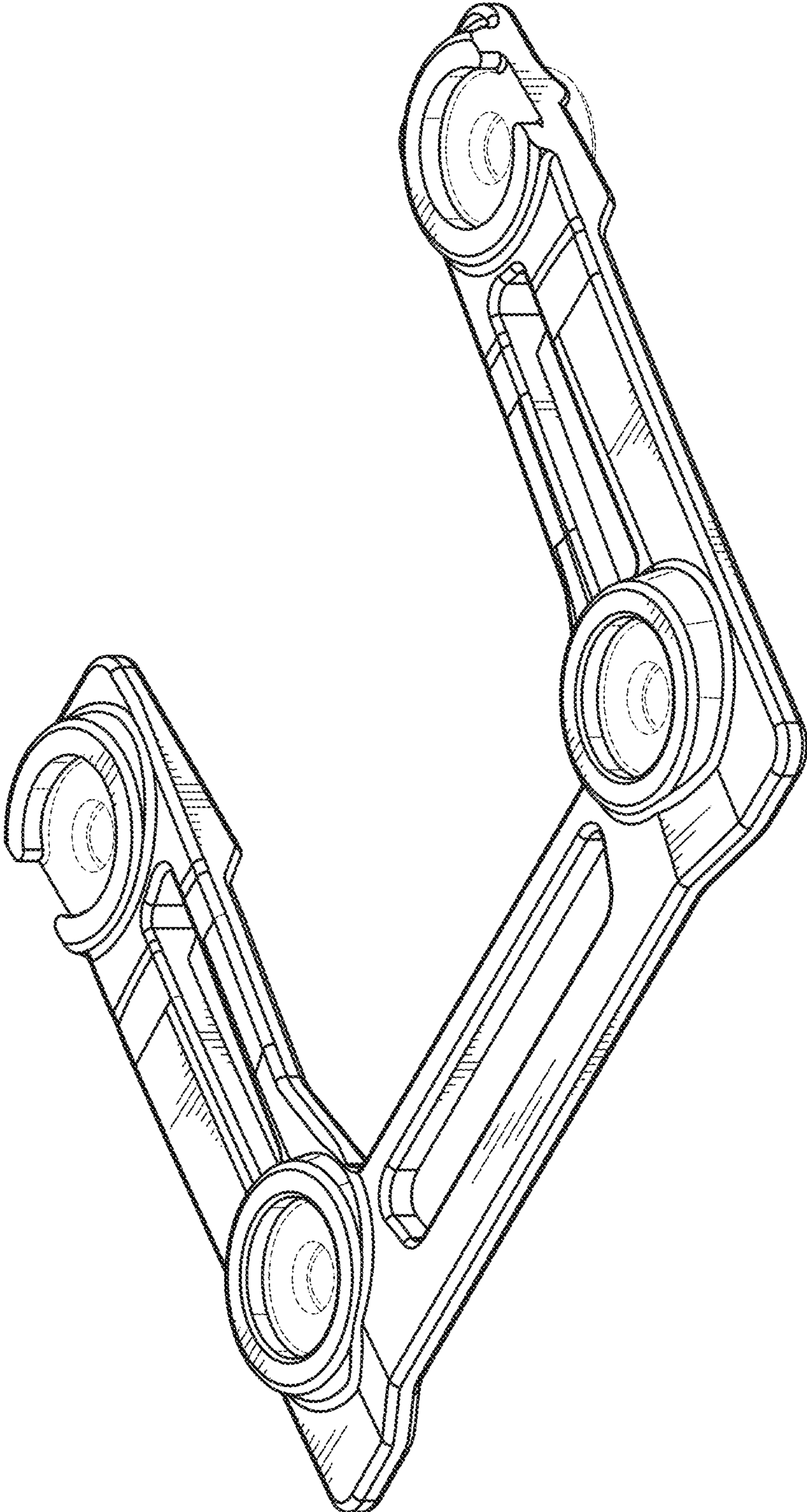
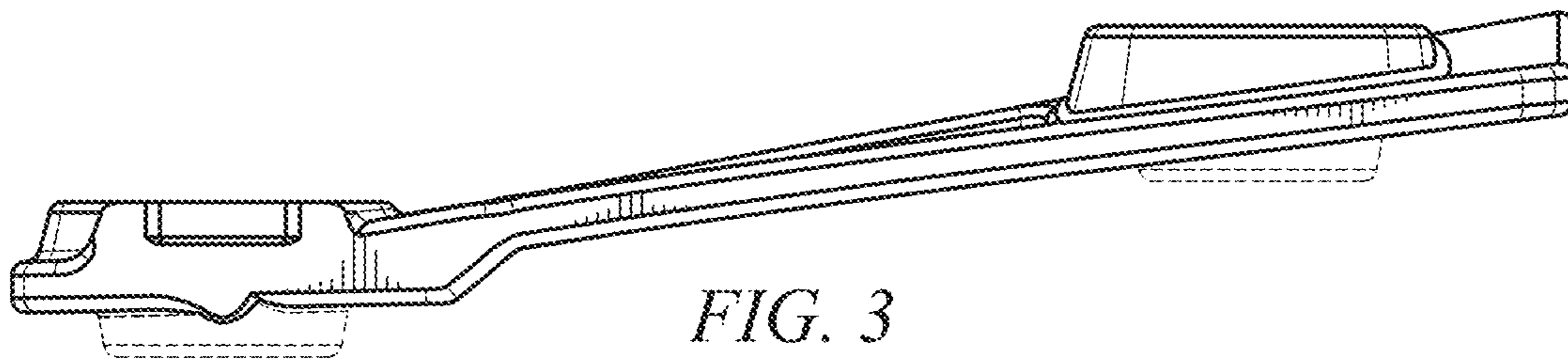
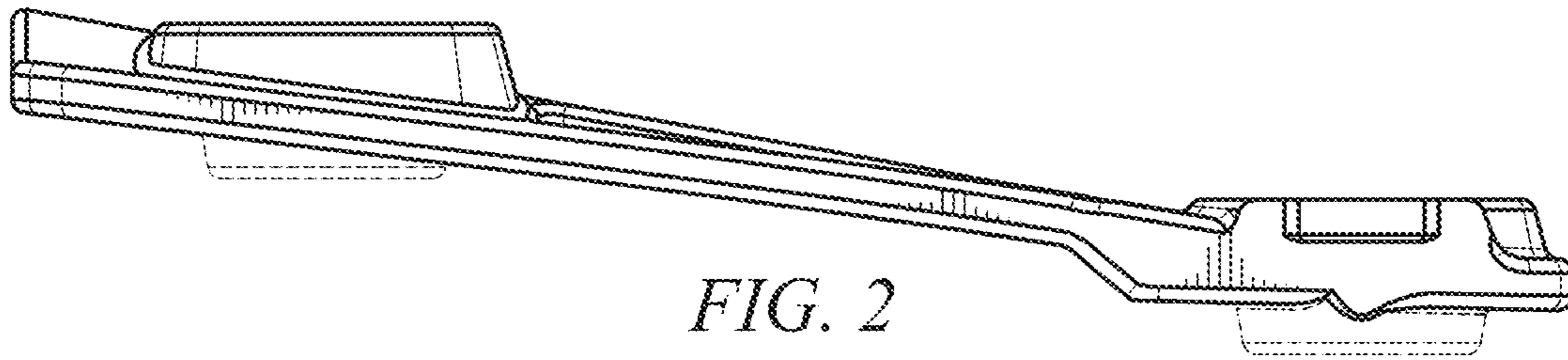


FIG. 1





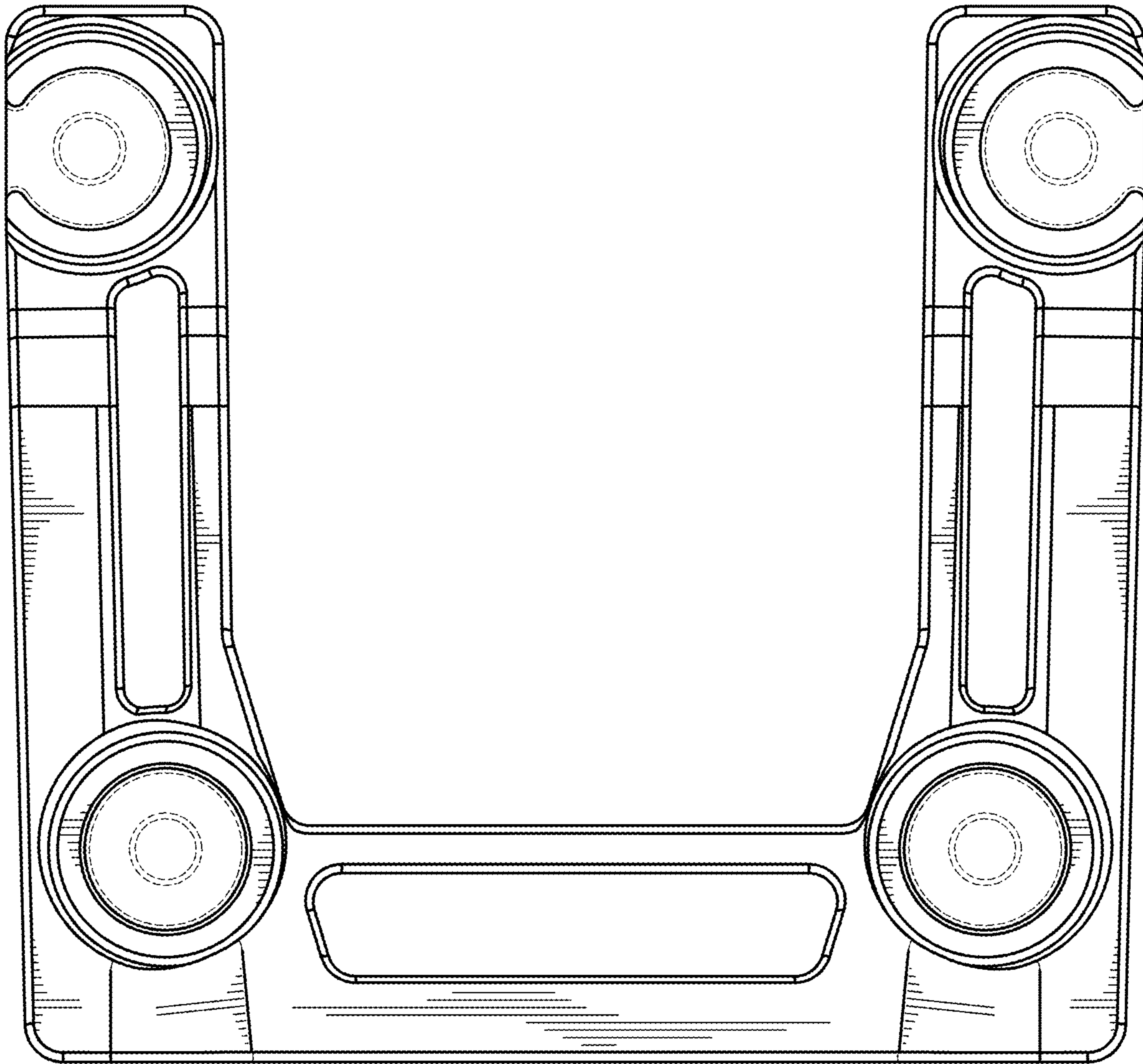


FIG. 6

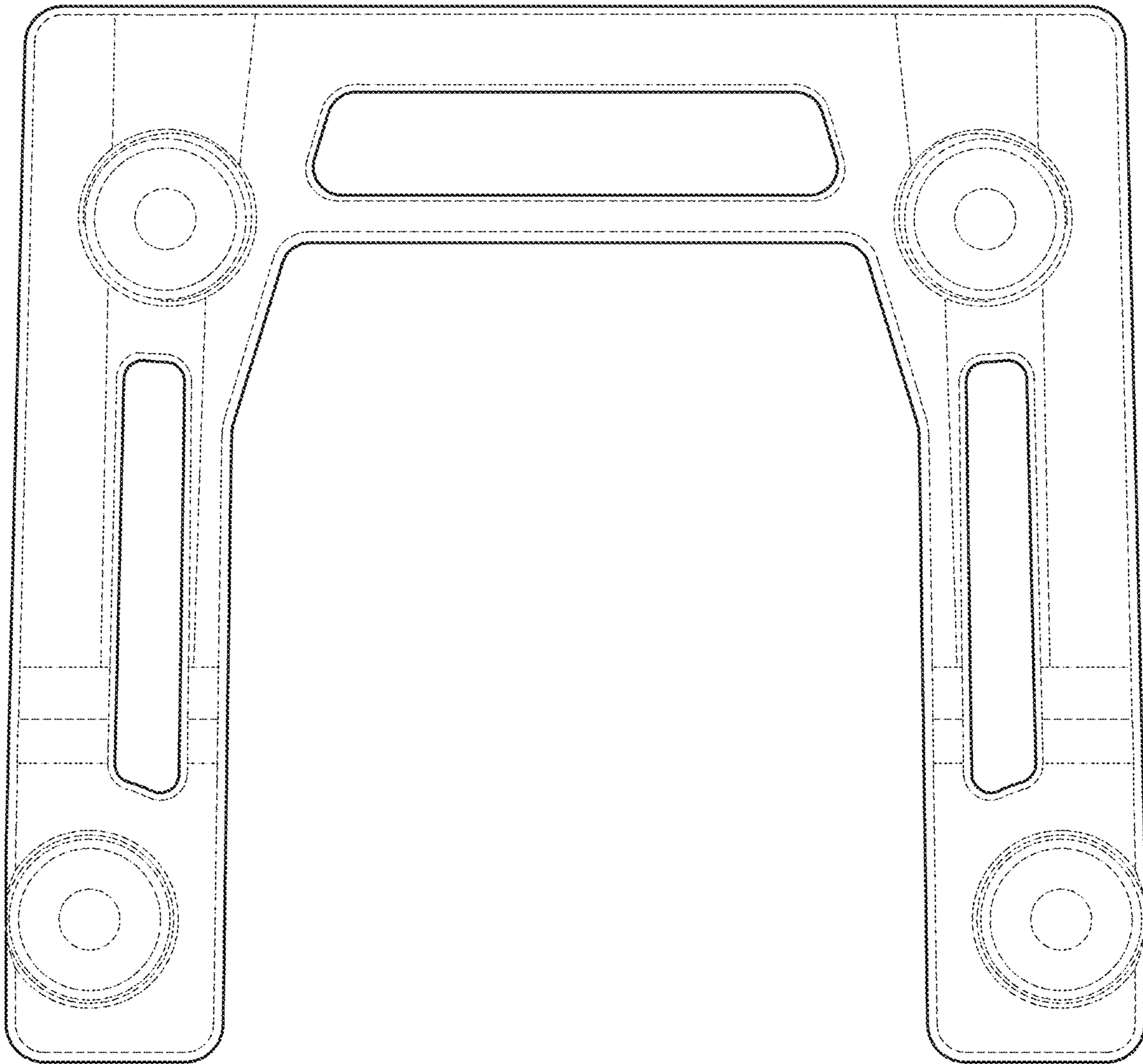


FIG. 7