



US00D925660S

(12) **United States Design Patent**
Wang

(10) **Patent No.:** **US D925,660 S**
(45) **Date of Patent:** **** Jul. 20, 2021**

- (54) **3D PUZZLE TOY**
- (71) Applicant: **Al E Wang**, Jingzhou (CN)
- (72) Inventor: **Al E Wang**, Jingzhou (CN)
- (**) Term: **15 Years**
- (21) Appl. No.: **29/769,006**
- (22) Filed: **Feb. 2, 2021**
- (51) **LOC (13) Cl.** **21-01**
- (52) **U.S. Cl.**
USPC **D21/479**; D21/618; D11/158
- (58) **Field of Classification Search**
USPC D21/478–480, 484, 485, 490, 493,
D21/576–661; D11/142, 157–163;
446/72, 79, 97, 99, 100, 108, 112, 114,
446/115, 124, 127, 387; 273/153 R, 156,
273/157 R, 160
CPC .. A63F 9/06; A63F 9/12; A63F 9/1288; A63F
2009/1228; A63F 2009/1232; A63F
2250/30; A63F 2250/307; A63F 2250/50;
A63F 2250/505; A63H 3/08; A63H 3/10;
A63H 3/16; A63H 33/04; A63H 33/06;
A63H 33/08; A63H 33/082; A63H
33/084; A63H 33/086
See application file for complete search history.

(56) **References Cited**

U.S. PATENT DOCUMENTS

- 1,227,129 A * 5/1917 Fruer A63H 3/16
446/100
- D54,940 S * 4/1920 Malone D21/585
- D63,951 S * 2/1924 Marchant D21/592
- D72,991 S * 7/1927 De Lemme D21/592
- 2,035,353 A * 3/1936 Torme A63H 15/02
446/316
- 2,036,302 A * 4/1936 Salazar A63H 3/16
446/100
- D136,040 S * 7/1943 Rebholz D21/611
- D136,920 S * 12/1943 Rebholz D21/611

- 2,338,738 A * 1/1944 Rebholz A63H 3/16
446/100
 - D158,256 S * 4/1950 Geromanos D21/617
 - D193,722 S * 10/1962 Him D21/585
- (Continued)

FOREIGN PATENT DOCUMENTS

- CN 302850429 * 6/2014
 - CN 303276903 * 7/2015
- (Continued)

OTHER PUBLICATIONS

DIY Miniature Tiger—3D Woodcraft Construction Kit. YouTube video published on Jan. 27, 2018 at: <https://www.youtube.com/watch?v=3FaAsK5_pdl>. Screen shots: :06, :25, :31, :33, :34, :37, 5:19, 5:30, 5:32 & 5:40. 10 pages. [accessed Jun. 4, 2021] (Year: 2018).*

(Continued)

Primary Examiner — Catherine A Tuttle

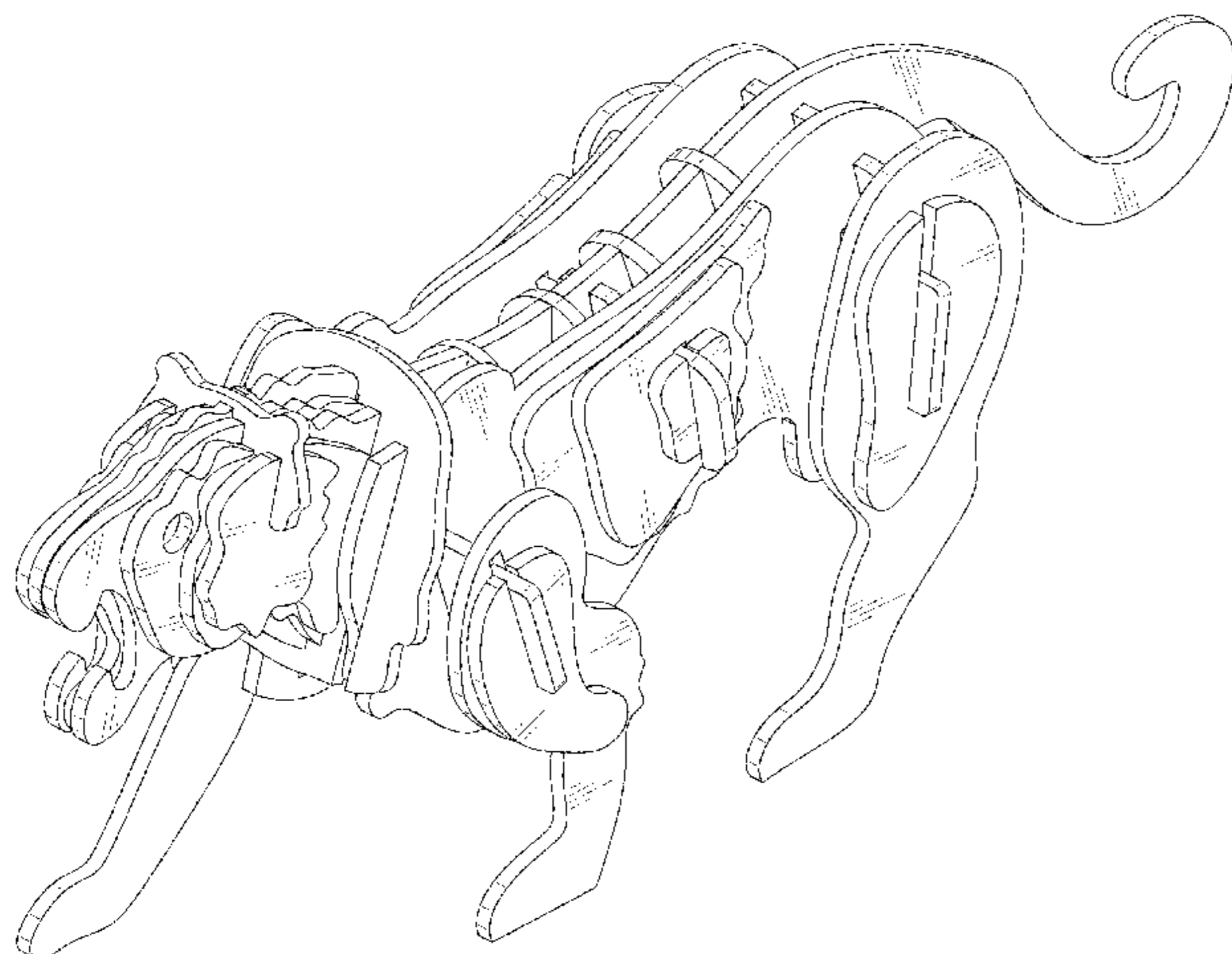
(57) **CLAIM**

The ornamental design for a 3D puzzle toy, as shown and described.

DESCRIPTION

FIG. 1 is a top, front and left perspective view of a 3D puzzle toy showing my new design;
 FIG. 2 is a rear, bottom and right perspective view thereof;
 FIG. 3 is a front elevational view thereof;
 FIG. 4 is a rear elevational view thereof;
 FIG. 5 is a left side elevational view thereof;
 FIG. 6 is a right side elevational view thereof;
 FIG. 7 is a top plan view thereof;
 FIG. 8 is a bottom plan view thereof; and,
 FIG. 9 is a perspective view showing the puzzle pieces in a separated state.

1 Claim, 9 Drawing Sheets



(56)

References Cited

U.S. PATENT DOCUMENTS

D219,986 S * 2/1971 Horwitz et al. D11/158
 D223,936 S * 6/1972 Meth D21/616
 D228,075 S * 8/1973 Zelenko D21/478
 4,192,509 A * 3/1980 Singh A63F 9/12
 273/157 R
 D257,373 S * 10/1980 Kodaka D21/615
 D272,893 S * 3/1984 Kodaka D11/158
 D295,542 S * 5/1988 Matsuda D21/584
 D359,084 S * 6/1995 Bertrand D21/618
 D381,929 S * 8/1997 Lal D11/121
 5,681,041 A * 10/1997 Coon A63F 9/12
 273/157 R
 6,234,858 B1 * 5/2001 Nix A63H 3/08
 446/101
 2005/0113177 A1 * 5/2005 Kuo A63H 33/086
 472/1
 2010/0194039 A1 * 8/2010 Thrush A63F 9/1288
 273/153 R
 2012/0045962 A1 * 2/2012 Guo A63H 33/042
 446/358
 2019/0344188 A1 * 11/2019 Gutierrez A63H 33/084

FOREIGN PATENT DOCUMENTS

CN 303669537 * 5/2016
 CN 303824830 * 8/2016
 DE 2703905 A1 * 8/1978 A63H 3/16
 DE 202015002649 U1 * 8/2015 A63H 3/16
 FR 1002115 A * 3/1952 A63H 3/16
 GB 648025 A * 12/1950 A63H 33/084
 JP 4999097 B2 * 8/2012 A63F 9/12

OTHER PUBLICATIONS

Saber-Tooth Tiger 3D Puzzle Walking Wooden Robot Toy featured on webpage: <<https://www.amazon.de/-/en/Saber-Tooth-Walking-Children-Architectural-Education/dp/B07L74S8LC>> Date first available: Dec. 8, 2018 [Accessed Jun. 4, 2021] (Year: 2018).*

Robotime 3D Wooden Painting Puzzle—HC209 Tiger. YouTube video published on May 11, 2018 at: <<https://www.youtube.com/watch?v=Ruy0ymggv4g>> Screen shots: :02, :26, :34, :34, :35, :36, :36, :37, :38, :56 & 1:08. 11 pages. [accessed Jun. 4, 2021] (Year: 2018).*

Legler—2019708—Puzzle 3D—Tigre featured on webpage: <<https://www.amazon.fr/Legler-2019708-Puzzle-3d-Tigre/dp/B001HN9UQO>> Date first available: Jan. 2009 [Accessed Jun. 4, 2021] (Year: 2021).*

The lovely 3D wooden tiger model featured on webpage: <<https://web.archive.org/web/20201128235631/https://www.dhgate.com/product/the-lovely-3d-wooden-tiger-model-is-worth/445868866.html>> Web Archive capture date: Nov. 28, 2020 [accessed Jun. 4, 2021] (Year: 2020).*

“ROBOTIME 3D Puzzle Music Box Wooden Craft Kit Robot Machinarium Toy with Light”, Retrieved Feb. 2, 2021]. Retrieved from Internet, https://www.amazon.com/ROBOTIME-Puzzle-Music-Wooden-Machinerium/dp/B074QP24SN/ref=sr_1_2?crid=23PITWHNP07GB&dchild=1&keywords=3D+PUZZLE+TOY&qid=1612239236&spretix=PUZZLE+TOY%2Caps%2C360&sr=8-2.

“Rolife 3D Wooden Puzzles Wood Wolf Model Kit for Adults and Teens to Build Educational STEM Toy”, Retrieved Feb. 2, 2021]. Retrieved from Internet, https://www.amazon.com/Rolife-Wooden-Puzzles-Educational-STEM/dp/B0088D53TK/ref=sr_1_97_sspa?crid=23PITWHNP07GB&dchild=1&keyw.

* cited by examiner

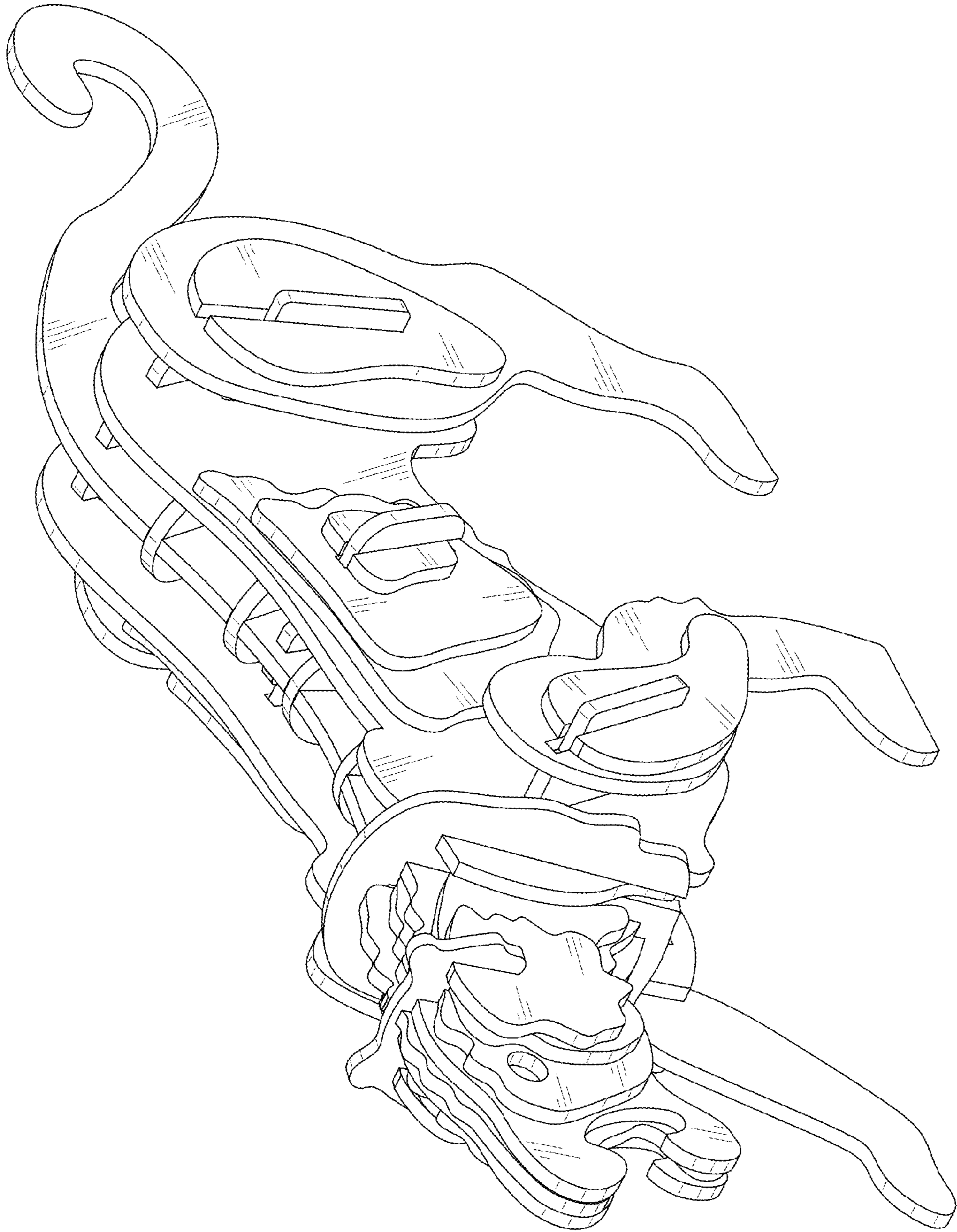


FIG. 1

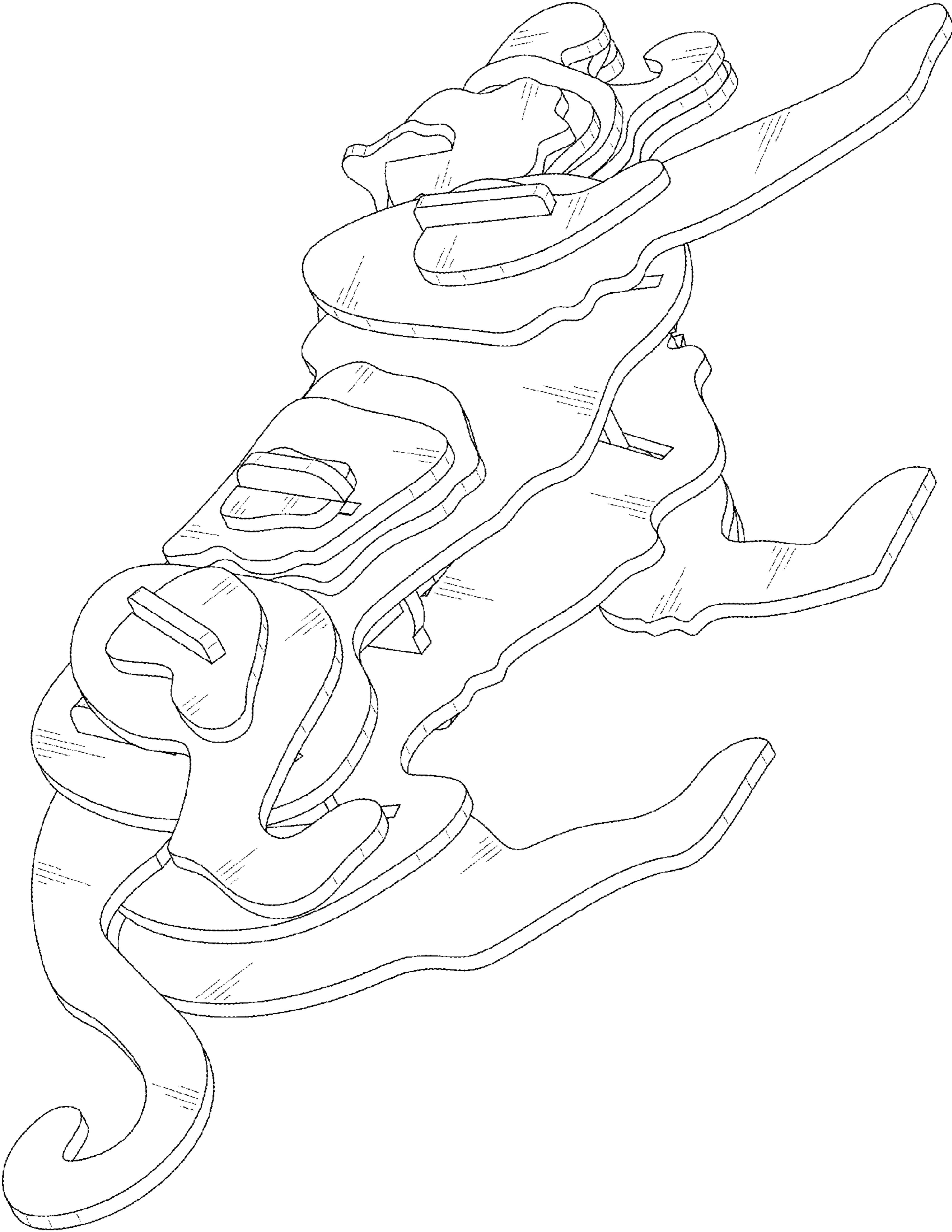


FIG. 2

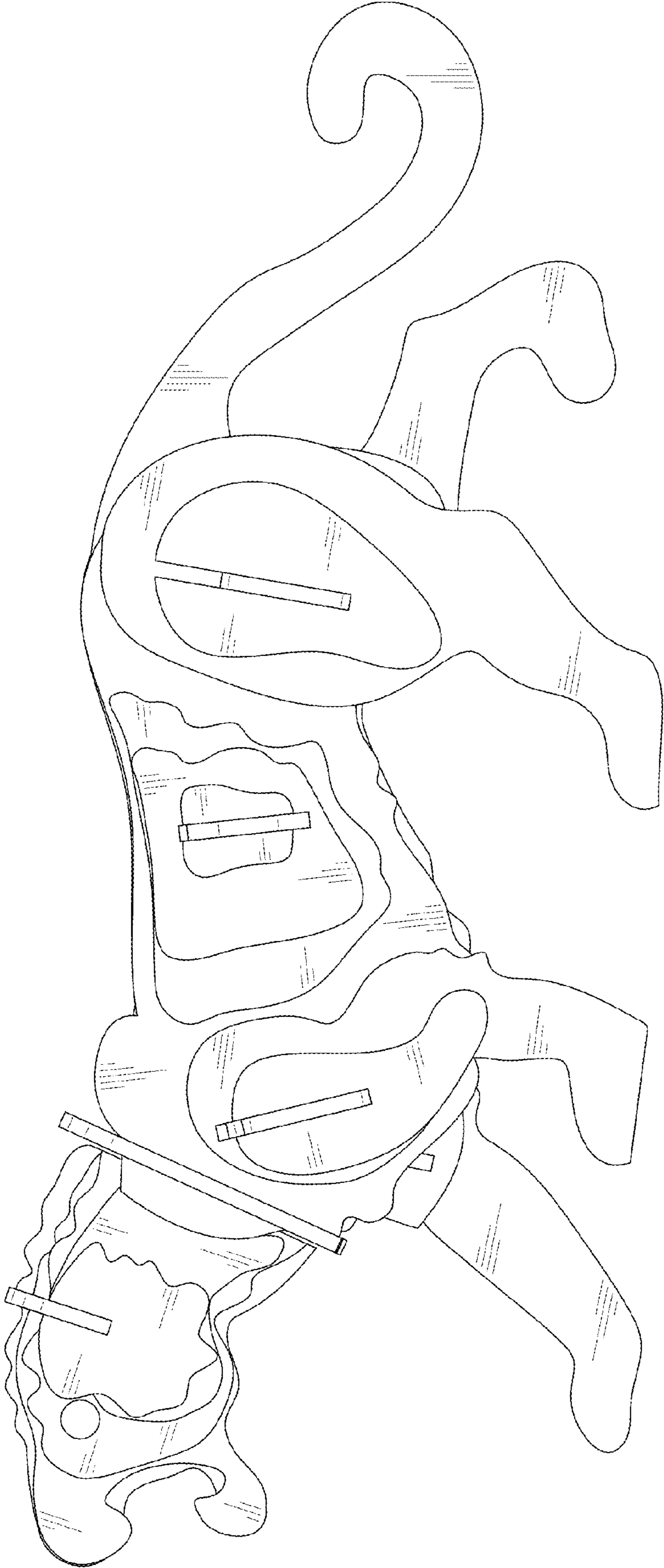


FIG. 3

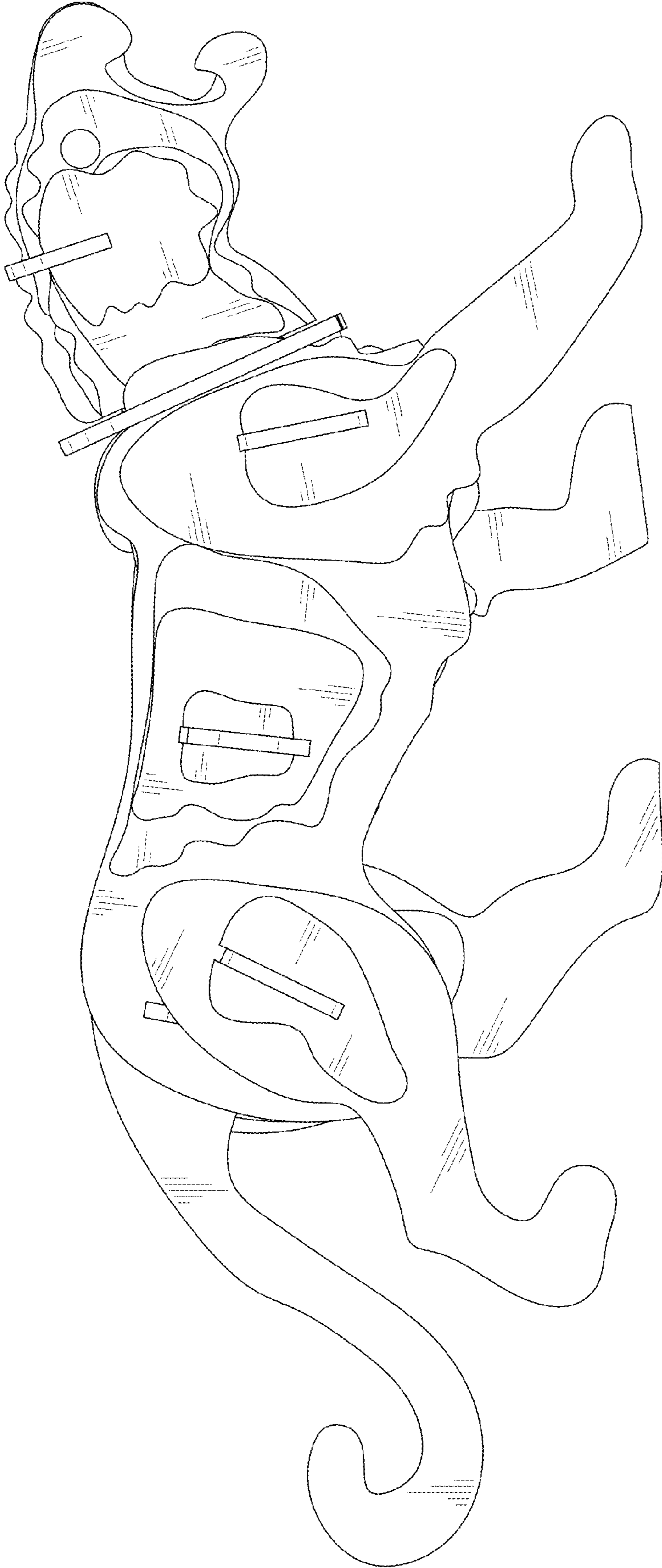


FIG. 4

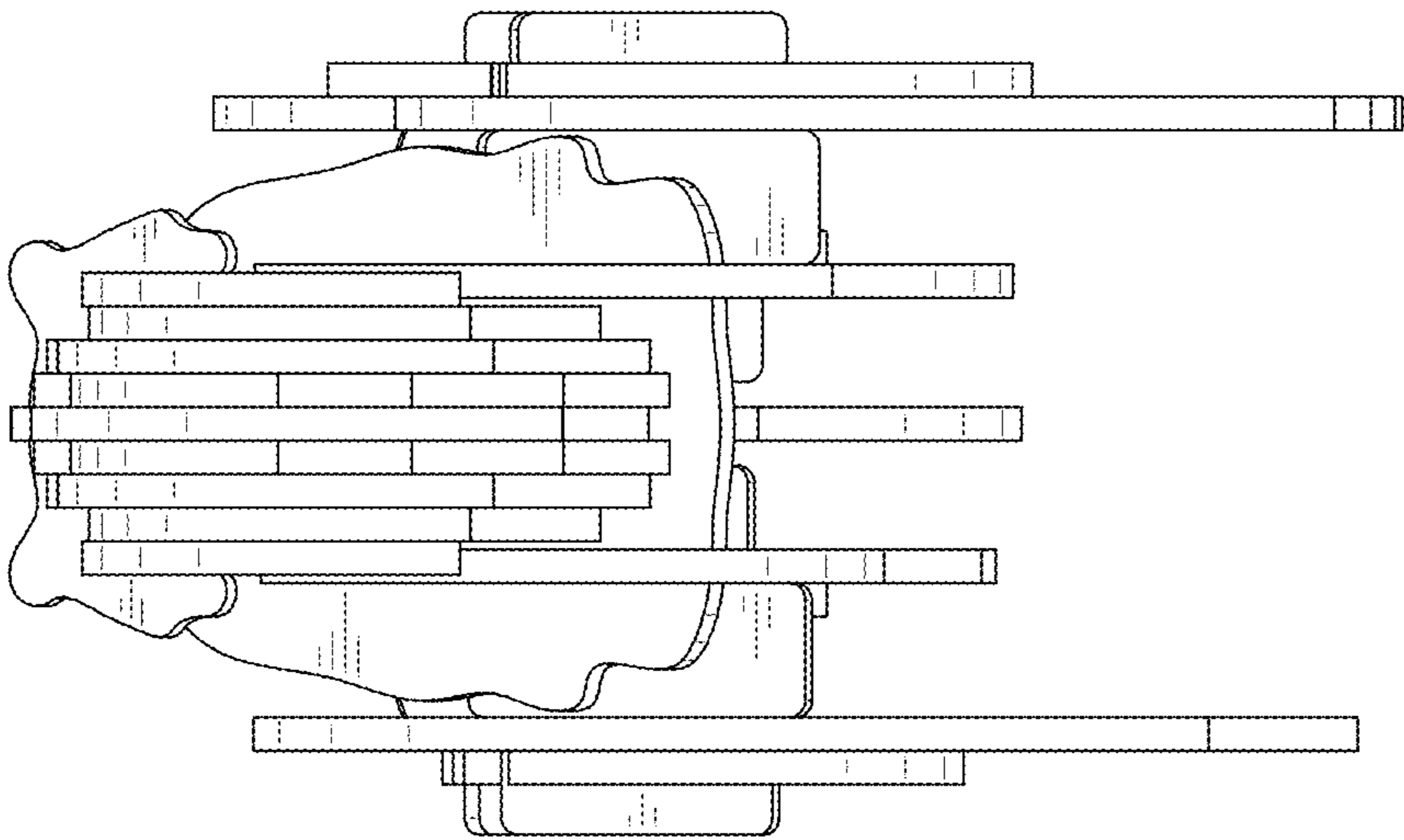


FIG. 5

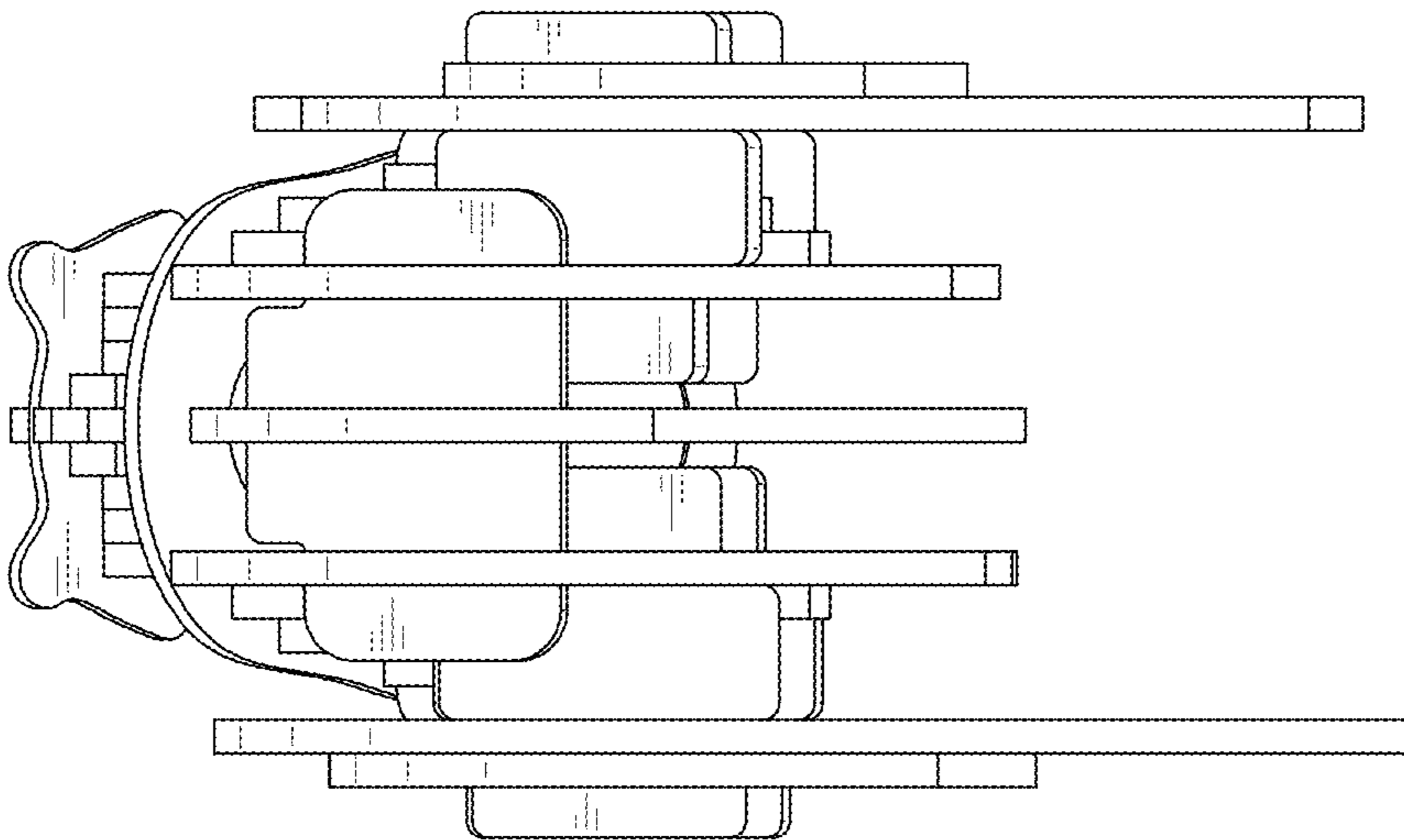


FIG. 6

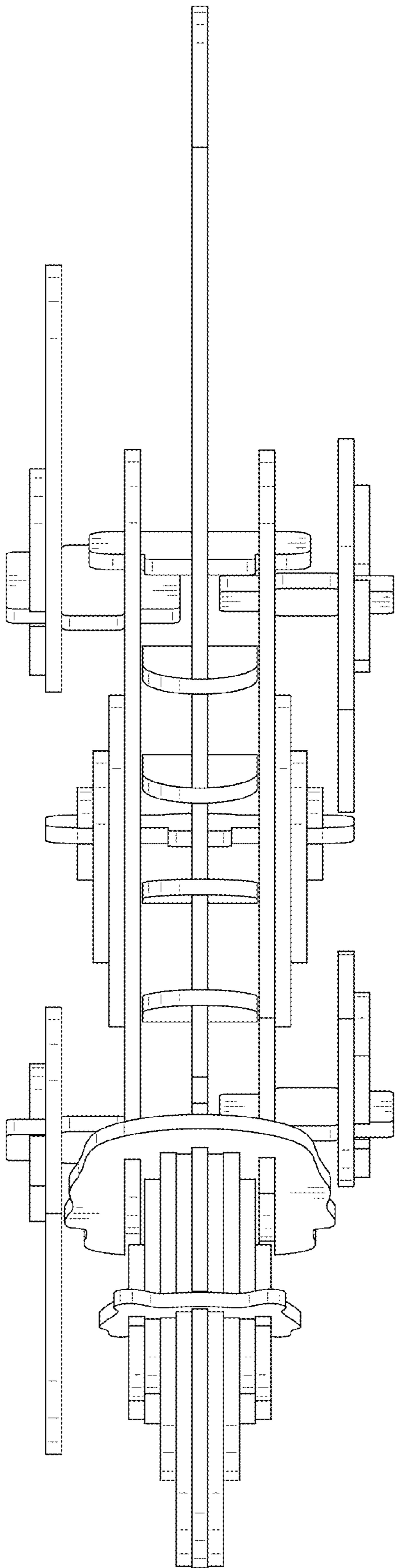


FIG. 7

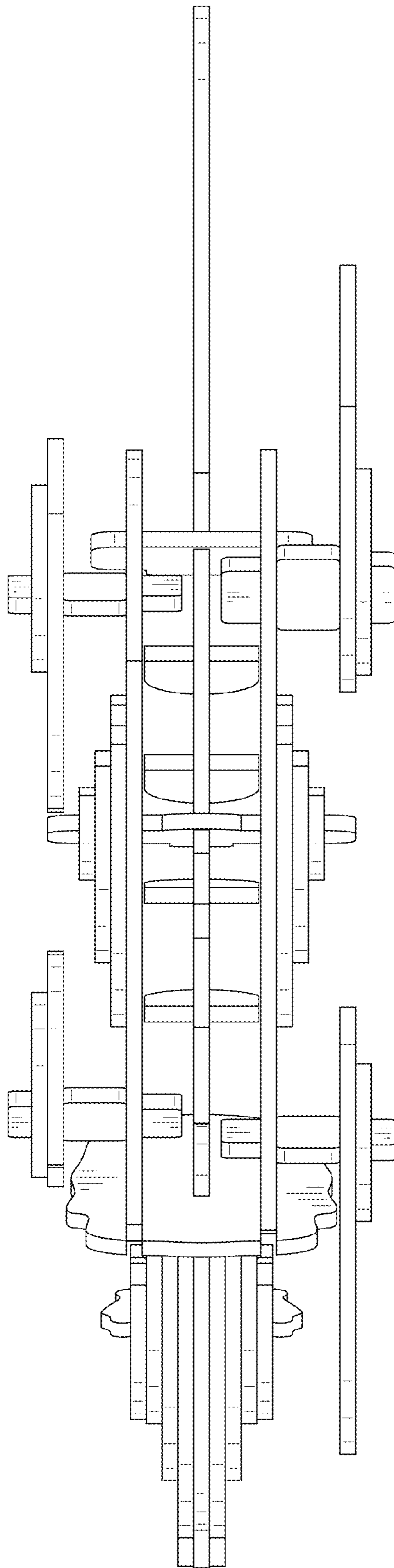


FIG. 8



FIG. 9