



US00D925658S

(12) **United States Design Patent** (10) **Patent No.:** **US D925,658 S**
Lewis et al. (45) **Date of Patent:** **** Jul. 20, 2021**

(54) **DISPLAY HOLDER FOR GARMENT AND ACCESSORIES**

G09F 13/24; G09F 13/26; G09F 2013/1895; G09F 15/00; B29C 65/52; B29C 65/56; B23P 19/00; B32B 37/02; B32B 38/00

(71) Applicants: **Stephen Lewis**, Pacific Palisades, CA (US); **Arthur Snyder**, Los Angeles, CA (US)

See application file for complete search history.

(72) Inventors: **Stephen Lewis**, Pacific Palisades, CA (US); **Arthur Snyder**, Los Angeles, CA (US)

(56) **References Cited**

U.S. PATENT DOCUMENTS

(**) Term: **15 Years**

(21) Appl. No.: **29/705,041**

(22) Filed: **Sep. 9, 2019**

D325,400	S	*	4/1992	Wolff	D20/22
D348,384	S	*	7/1994	Karsten	D8/363
6,443,402	B1	*	9/2002	Ferrill	H02G 3/32 248/65
D588,616	S	*	3/2009	Tanaka	D15/139
D647,810	S	*	11/2011	Bohrer	D10/106.9
D676,773	S	*	2/2013	Kim	D10/106.91
D679,209	S	*	4/2013	Reynolds	D10/106.91
D710,231	S	*	8/2014	Barksdale	D10/106.9

(Continued)

Related U.S. Application Data

(63) Continuation-in-part of application No. 29/605,563, filed on May 26, 2017, now Pat. No. Des. 858,639, which is a continuation-in-part of application No. 15/593,664, filed on May 12, 2017, now Pat. No. 10,420,383, and a continuation-in-part of application No. 29/605,561, filed on May 26, 2017, now Pat. No. Des. 859,528, application No. 29/705,041, filed on Sep. 9, 2019, which is a continuation-in-part of application No. 15/593,664, filed on May 12, 2017, now Pat. No. 10,420,383.

Primary Examiner — Mary Ann Calabrese

Assistant Examiner — Catherine Ho

(51) **LOC (13) Cl.** **20-03**

(52) **U.S. Cl.**
USPC **D20/43**

(58) **Field of Classification Search**
USPC D6/325, 328; D8/321, 349, 354, 355, D8/366, 371, 373, 380, 381, 400; D10/106.9, 106.91, 106.92; D20/10, D20/40-44, 99; D25/119
CPC .. G09F 17/00; G09F 2007/1834; G09F 15/02; G09F 15/0075; G09F 15/0018; G09F 7/18; G09F 2007/186; G09F 7/16; G09F 2007/122; G09F 13/00; G09F 13/04; G09F 13/06; G09F 13/18; G09F 13/22;

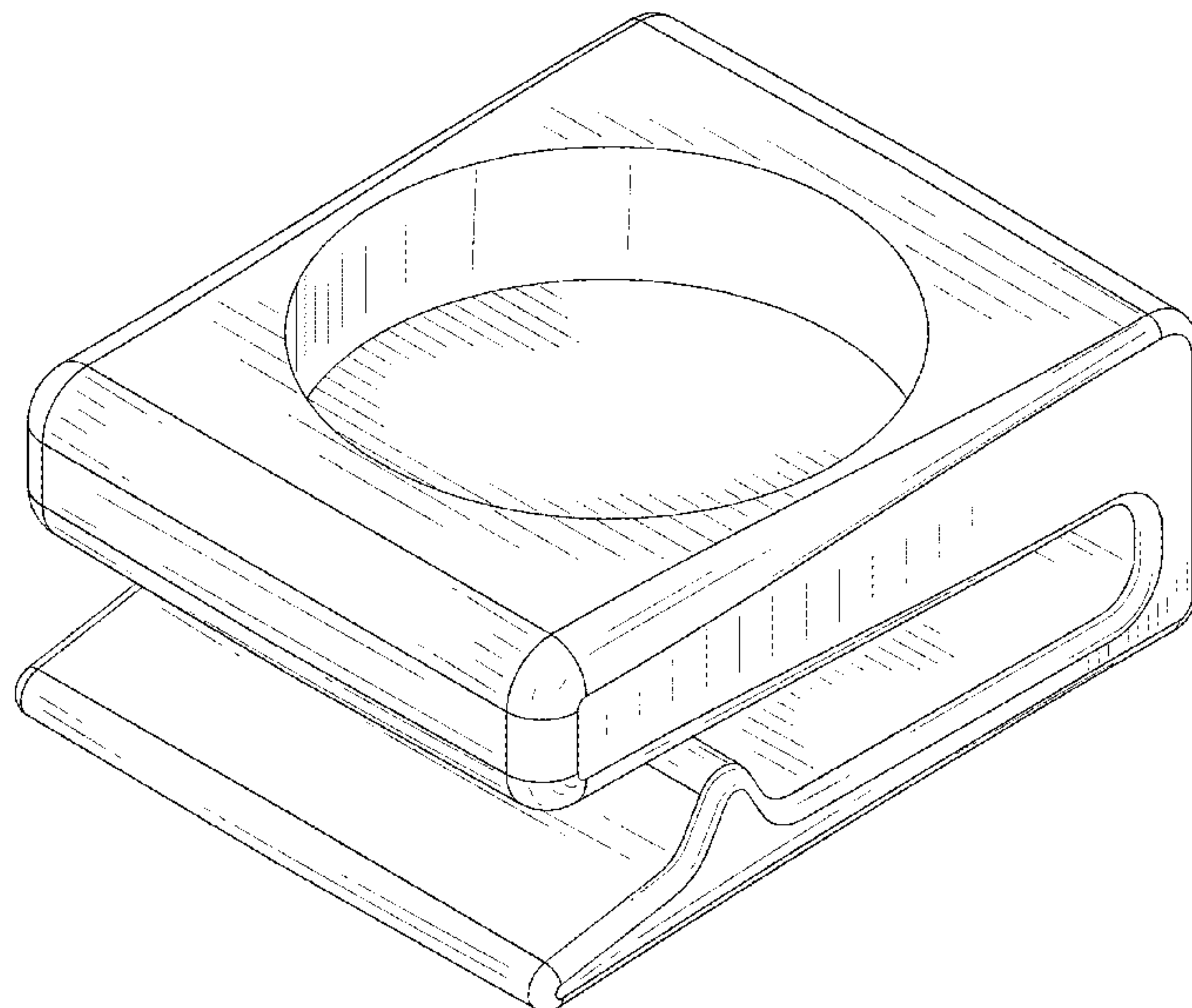
(57) **CLAIM**

We claim the ornamental design for a display holder for garment and accessories, as shown and described.

DESCRIPTION

FIG. 1 is a top-front-left perspective view of a display holder for garment and accessories, showing our new design; FIG. 2 is a top-rear-right perspective view thereof; FIG. 3 is a bottom-rear-left perspective view thereof; FIG. 4 is a front elevational view thereof; FIG. 5 is a rear elevational view thereof; FIG. 6 is a top plan view thereof; FIG. 7 is a bottom plan view thereof; FIG. 8 is a right elevational view thereof; FIG. 9 is a left elevational view thereof; and, FIG. 10 is a cross-sectional view taken along line 10-10 in FIG. 4.

1 Claim, 10 Drawing Sheets



(56)

References Cited

U.S. PATENT DOCUMENTS

8,979,440 B2 * 3/2015 Ishi B23C 5/109
407/113
D749,442 S * 2/2016 Jung D10/106.9
D804,345 S * 12/2017 Piccoli D10/106.9
D832,728 S * 11/2018 Piccoli D10/106.91
10,131,004 B1 * 11/2018 Nguyen B23C 5/2221
D890,182 S * 7/2020 Bell D14/433
2006/0257214 A1 * 11/2006 Johnson B23C 5/06
407/40
2011/0050427 A1 * 3/2011 Skjellerup E05B 73/0017
340/572.8
2016/0027271 A1 * 1/2016 Paul G08B 13/2434
340/572.8
2018/0197391 A1 * 7/2018 Luo G08B 13/2434

* cited by examiner

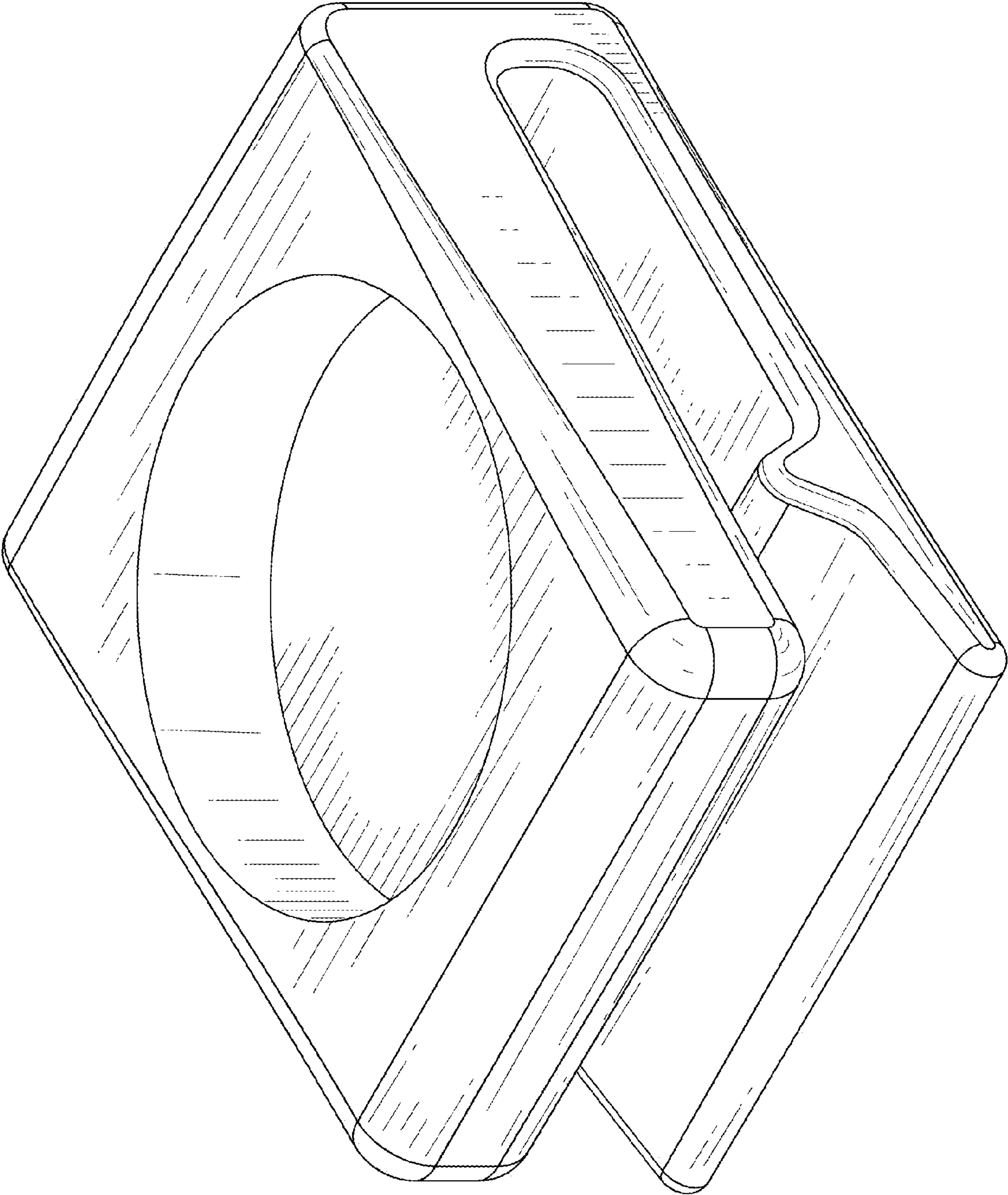


FIG. 1

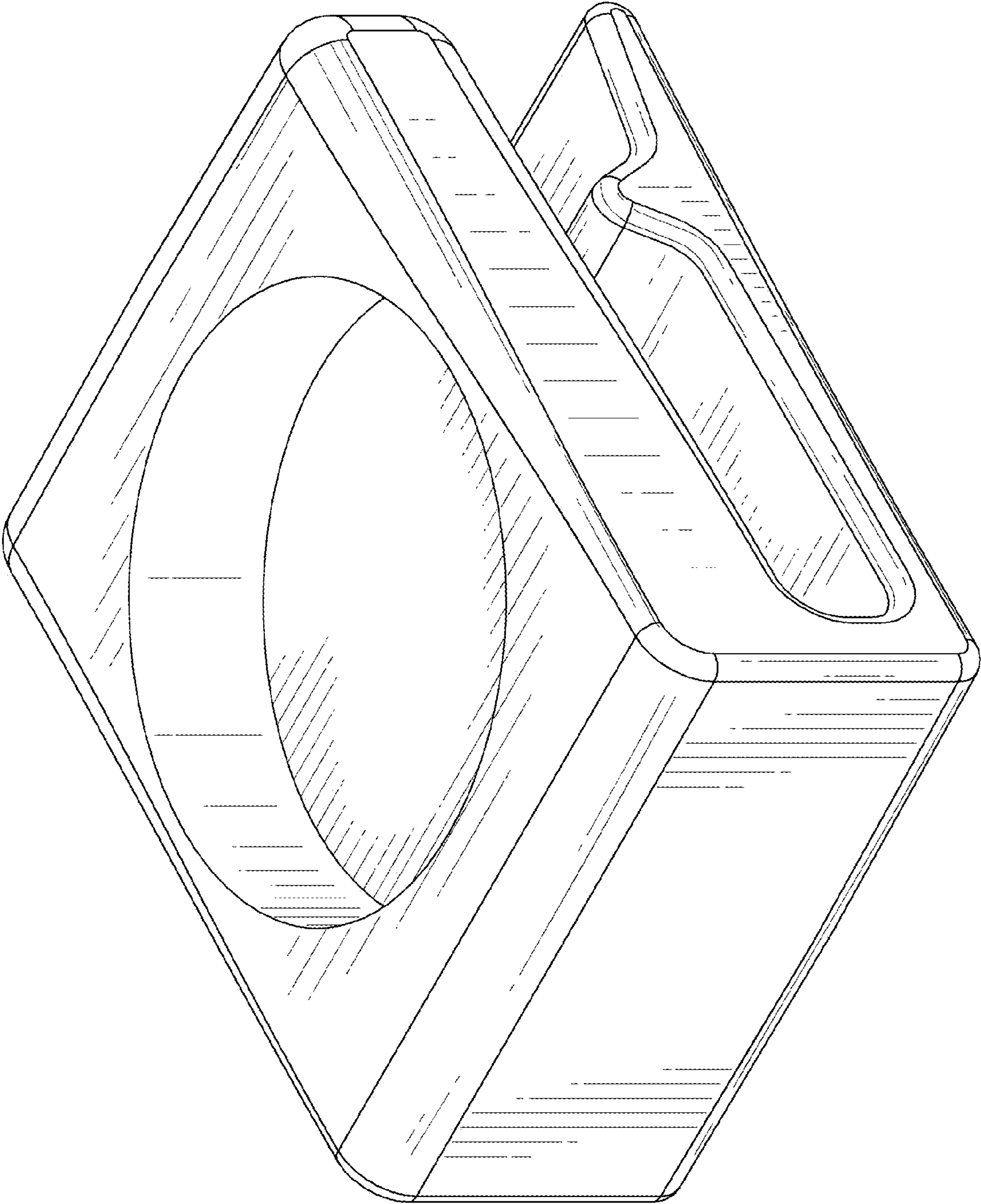


FIG. 2

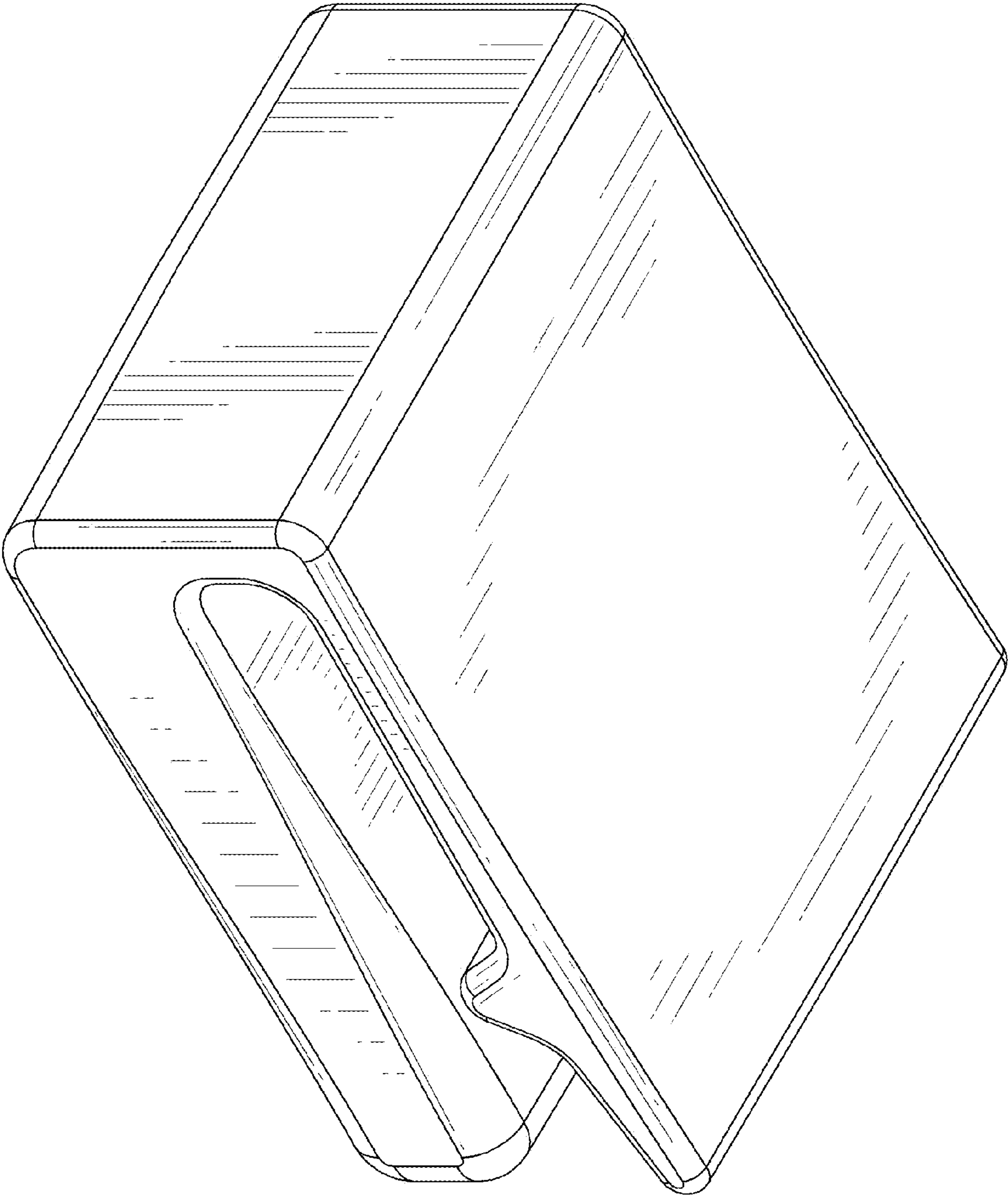


FIG. 3

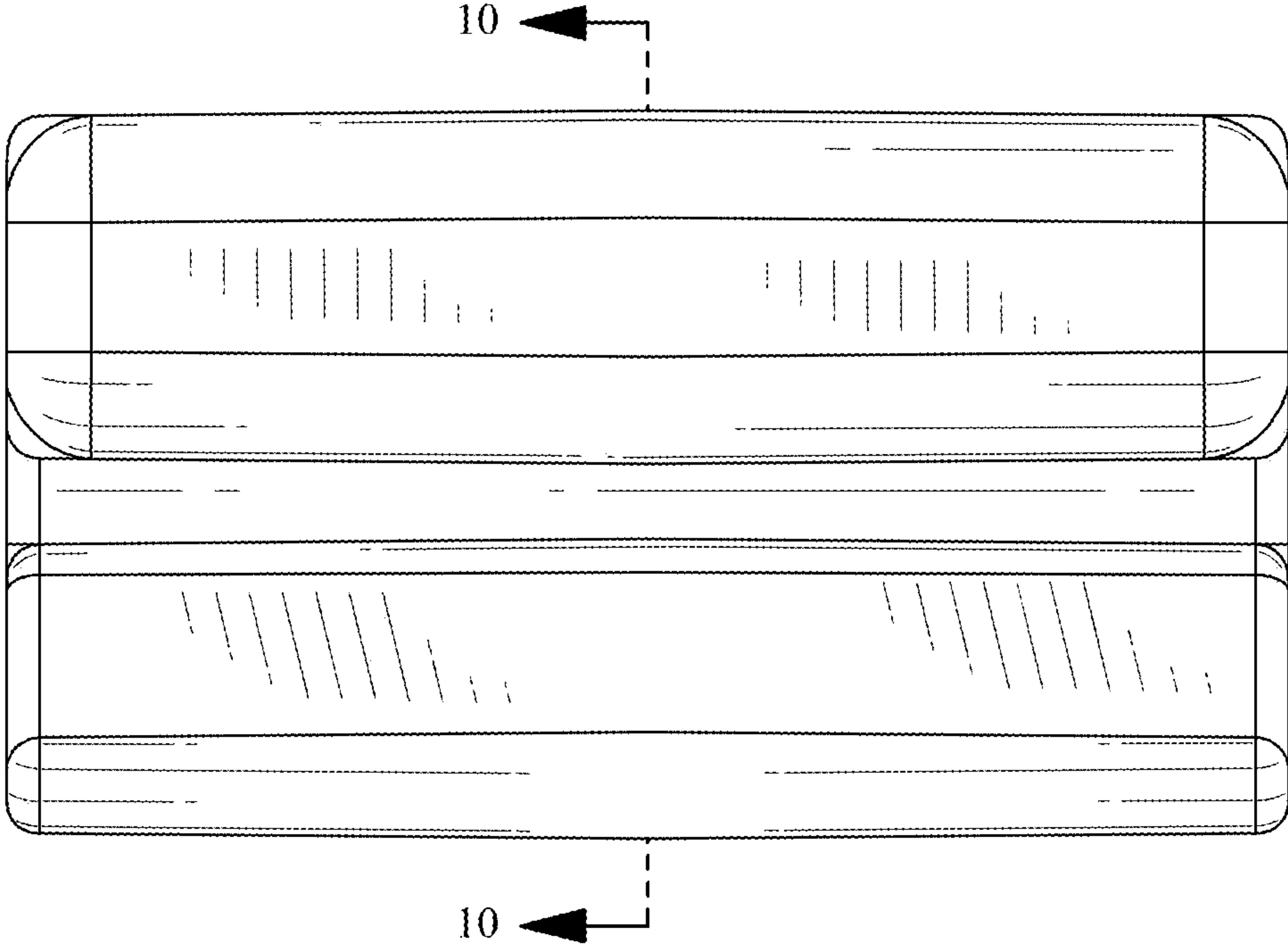


FIG. 4

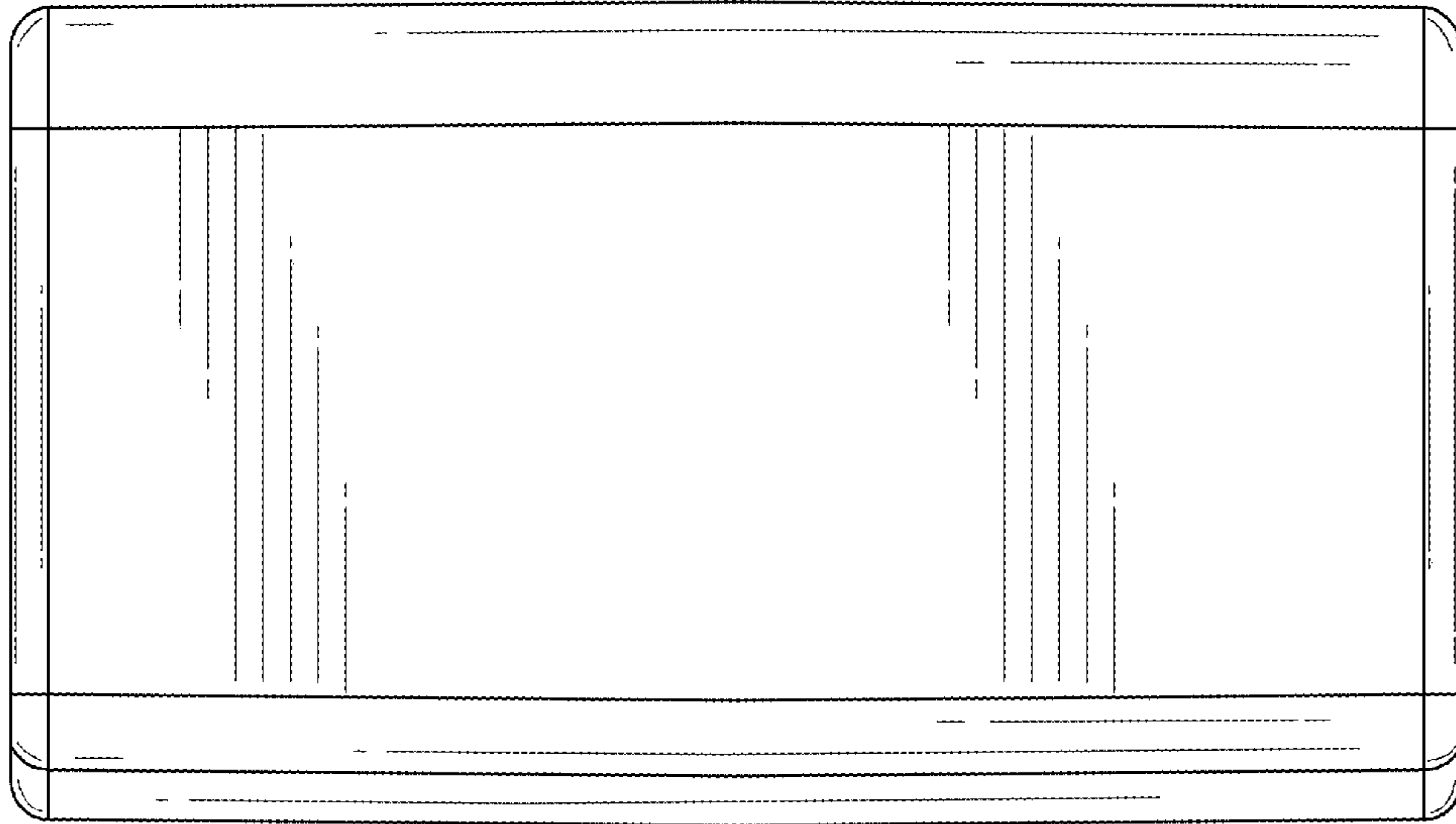


FIG. 5

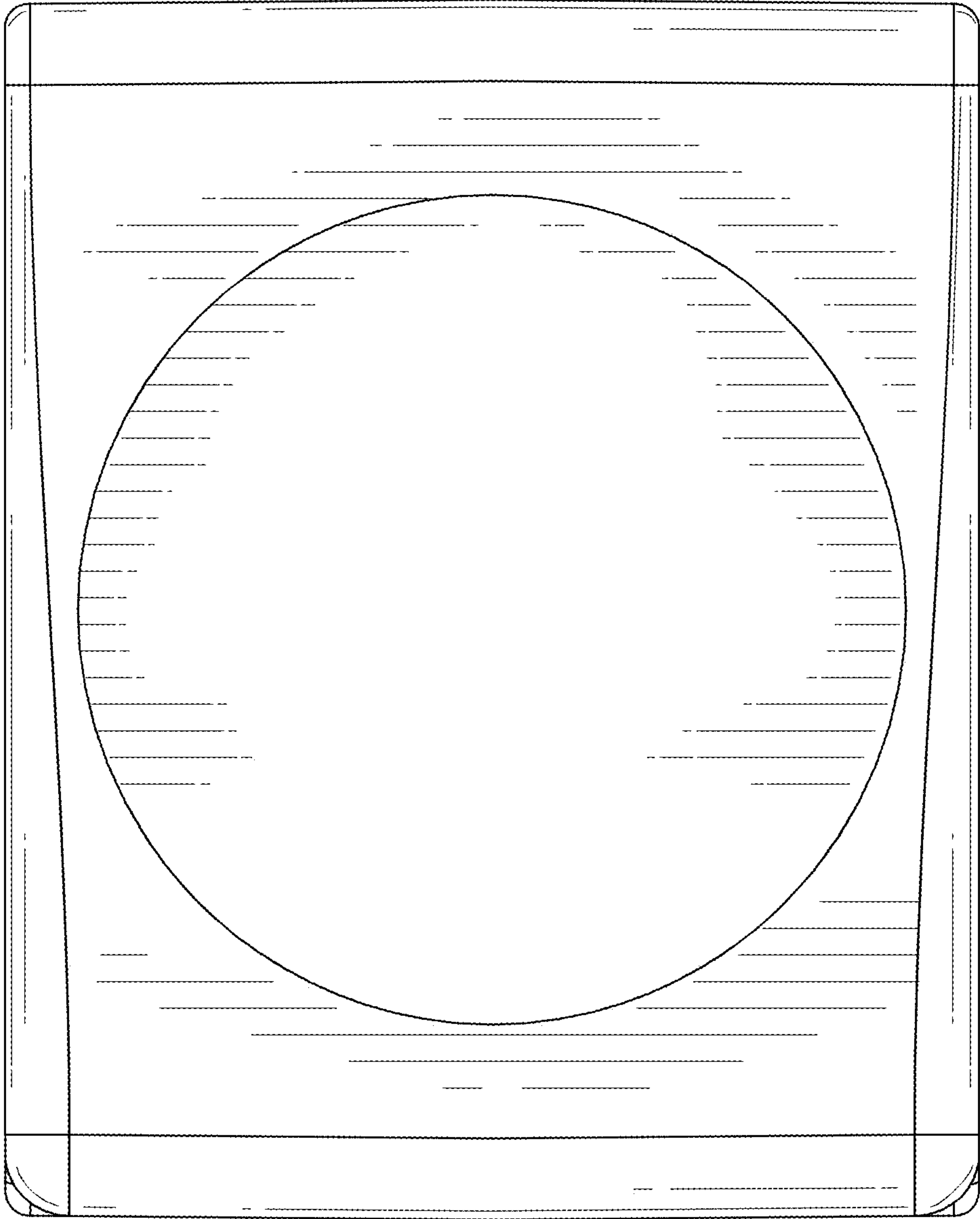


FIG. 6

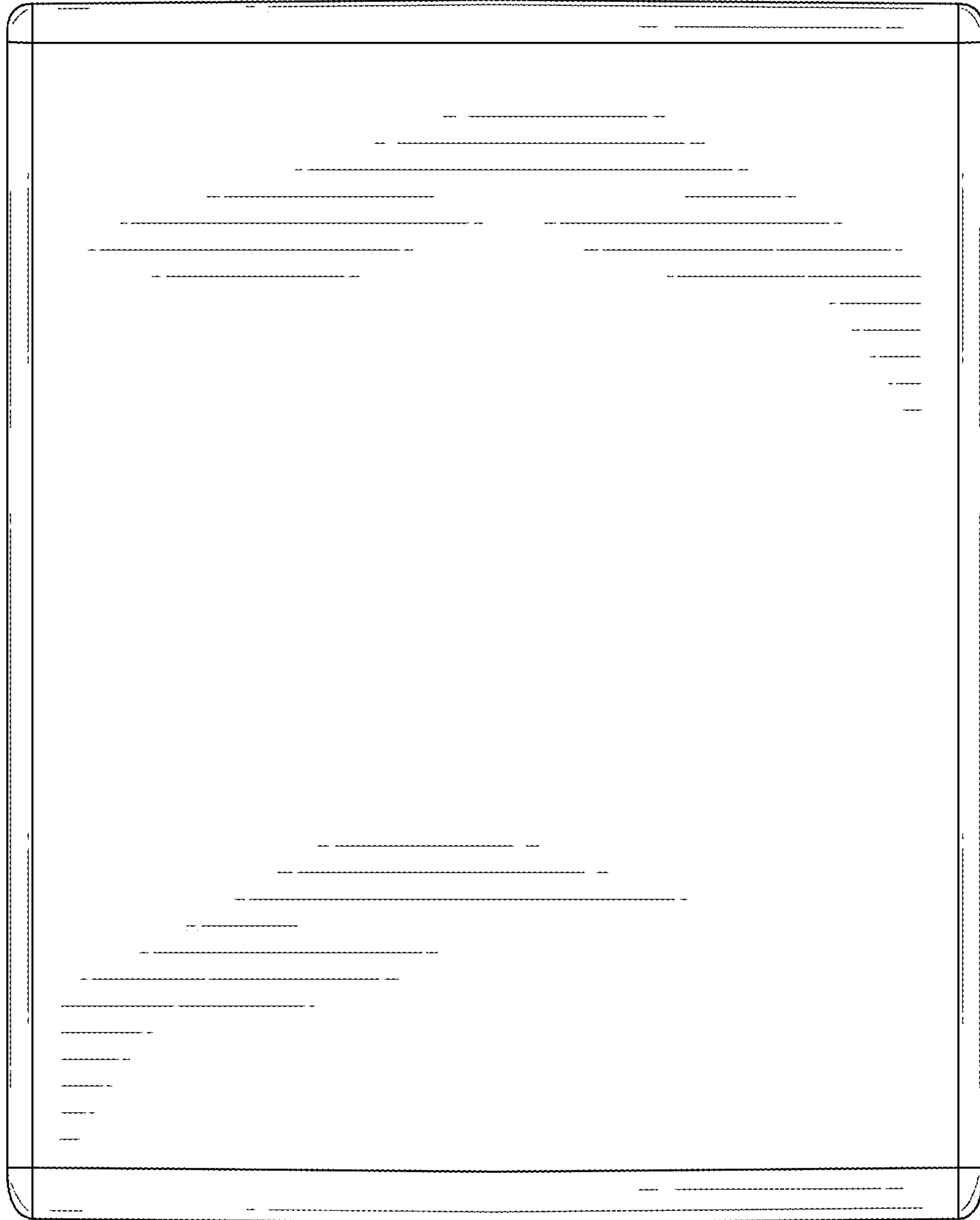


FIG. 7

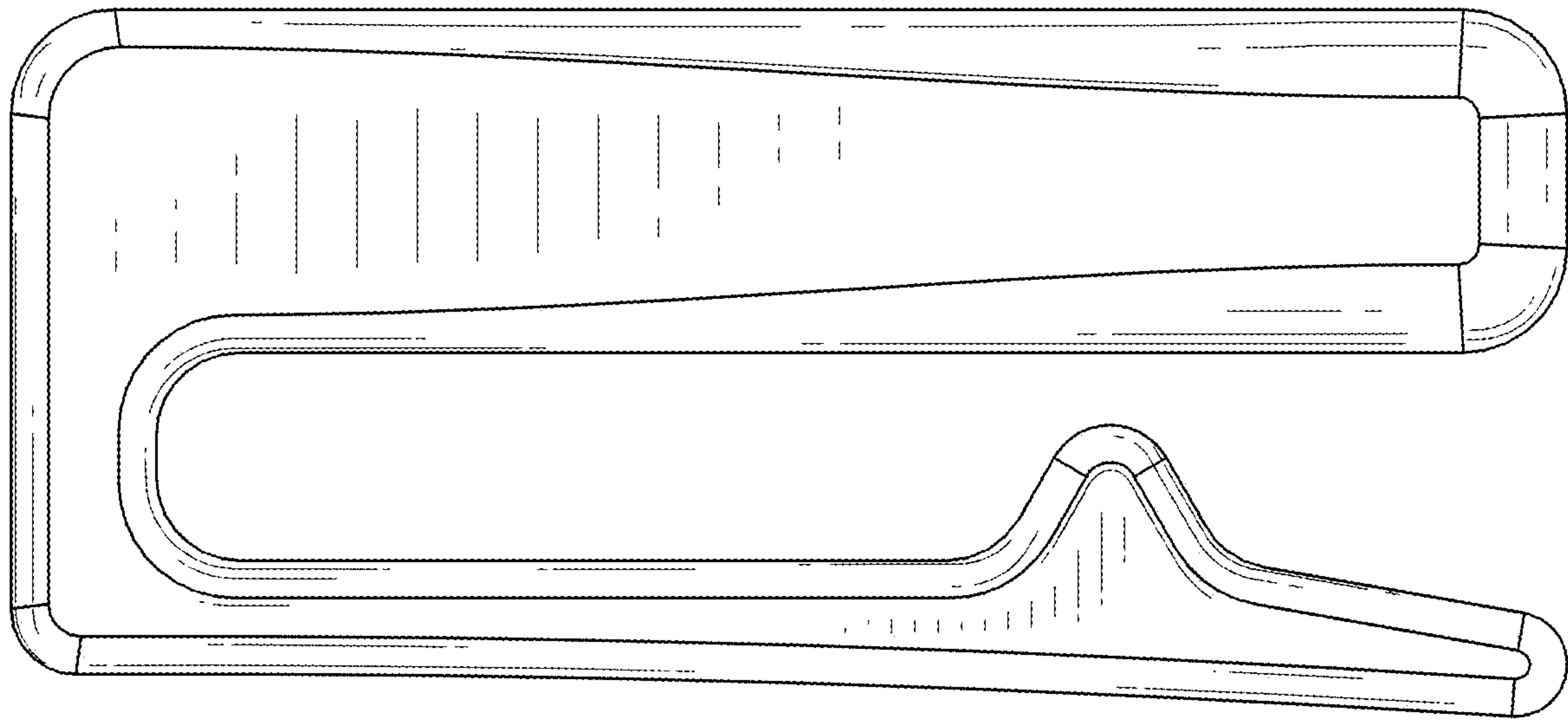


FIG. 8

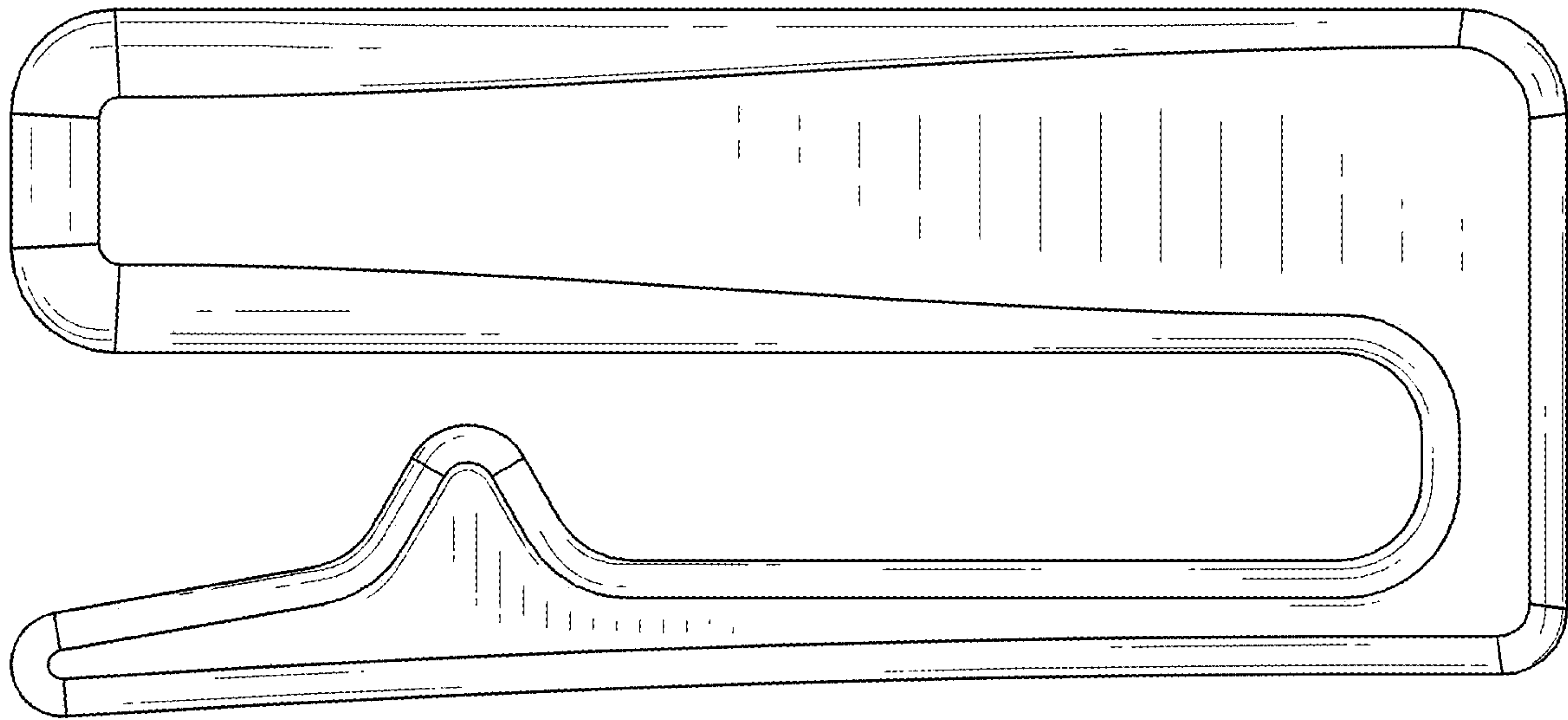


FIG. 9

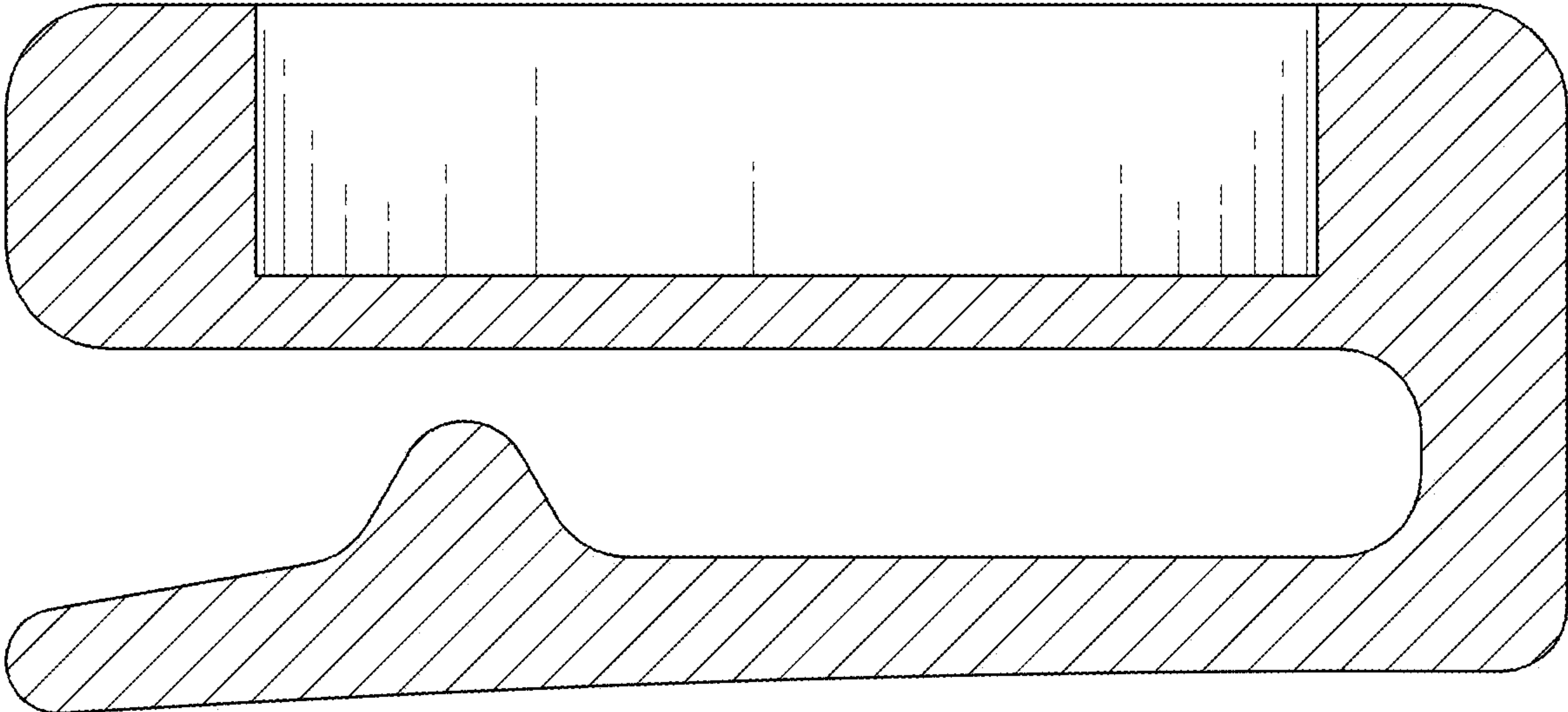


FIG. 10